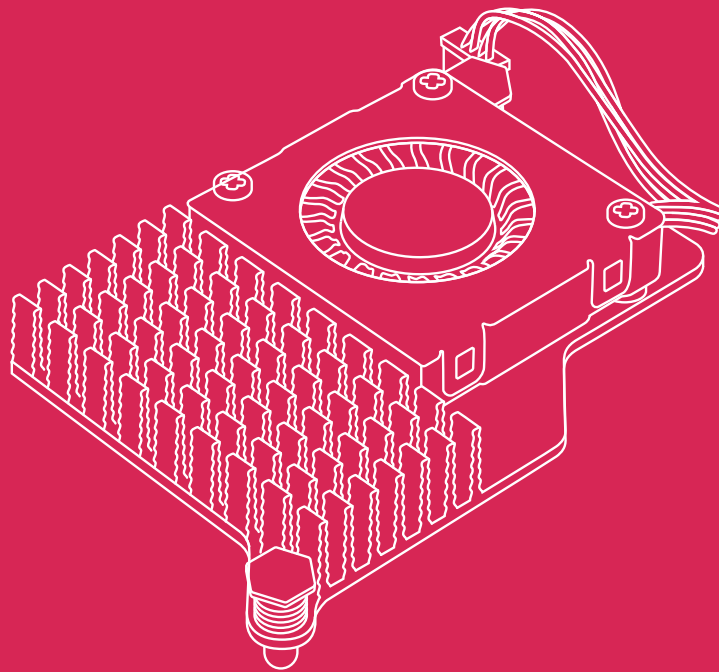




Raspberry Pi Active Cooler

for Raspberry Pi 5

Published October 2023



Overview



The Raspberry Pi Active Cooler for Raspberry Pi 5 is a dedicated, permanent clip-on cooling solution for Raspberry Pi 5. It combines an aluminium heatsink with a temperature-controlled blower fan to keep your Raspberry Pi 5 at a comfortable operating temperature even under heavy loads.

- Single-piece anodised aluminium heatsink
- Heatsink-mounted, temperature-controlled blower fan attached by three screws
- Spring-loaded push pins for mounting onto Raspberry Pi 5
- Pre-applied thermal pads for heat transfer

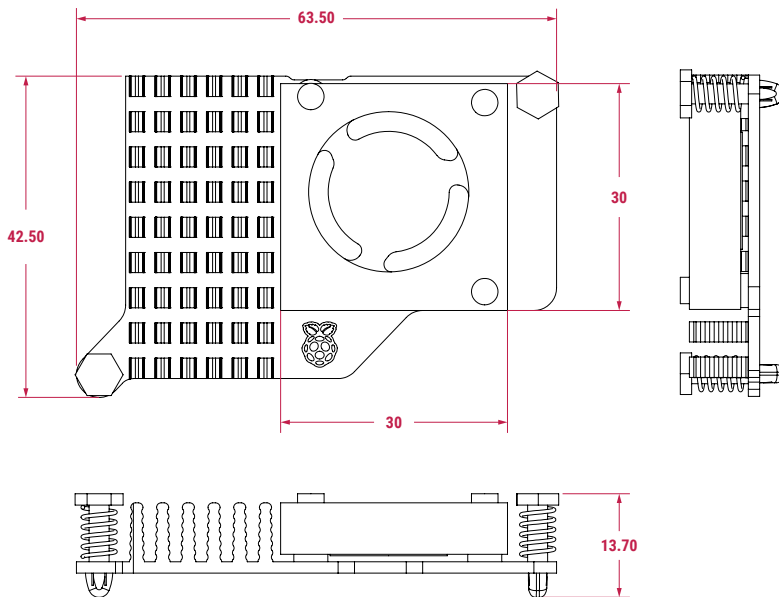
Specification

Input voltage:	5V DC supplied via four-pin fan header on Raspberry Pi 5
Fan speed control:	Pulse width modulation control with tachometer
Maximum airflow:	1.09 CFM
Maximum fan speed:	8000 RPM +/- 15%
Product material:	Anodised aluminium
Production lifetime:	The Raspberry Pi Active Cooler for Raspberry Pi 5 will remain in production until at least January 2035
Compliance:	For a full list of local and regional product approvals, please visit pip.raspberrypi.com

Assembly instructions

1. Unpack the preassembled Active Cooler from its box.
2. Remove the backing paper from the thermal pads on the underside of the product.
3. Position the Active Cooler carefully in the correct space on Raspberry Pi 5, making sure not to hit any of the connectors. Please refer to the diagram on the front of the box which shows the correct position and orientation of the product.
4. Align the two white push pins with the two dedicated heatsink holes.
5. When correctly positioned, press evenly on the tops of the two push pins simultaneously until they click, indicating that they are clipped onto the board.
6. Once the Active Cooler is mounted, connect its fan cable to the connector labelled 'FAN' on Raspberry Pi 5. Take care to ensure the cable's connector is the correct way round when inserting it. Make sure that the connector on the cable is pushed down fully onto the connector on Raspberry Pi 5.

Physical specification



Note:

All dimensions in mm

All dimensions are approximate and for reference purposes only. The dimensions shown should not be used for producing production data

The dimensions are subject to part and manufacturing tolerances

Dimensions may be subject to change

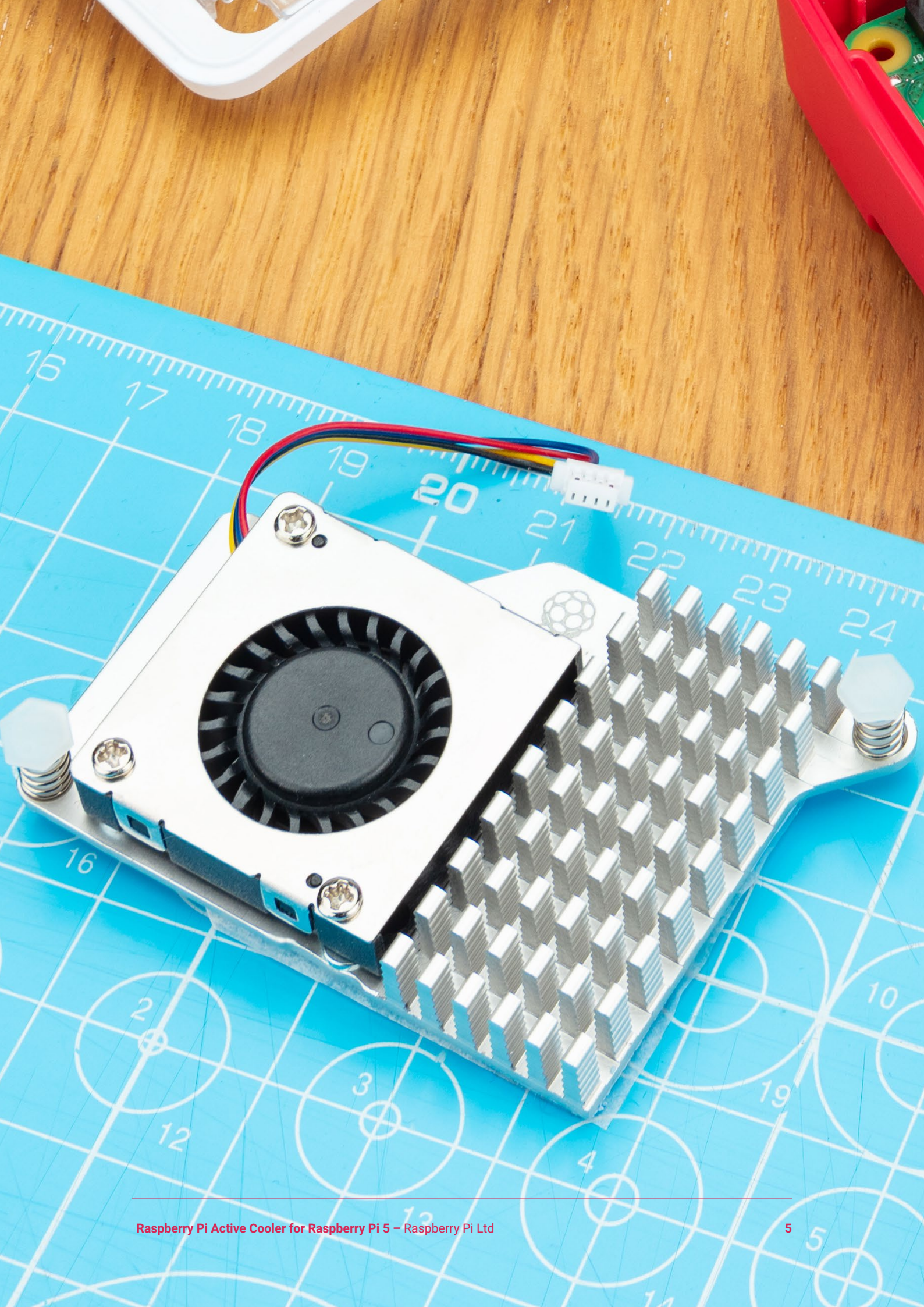
WARNINGS

- This product should only be used with Raspberry Pi 5.
- This product should only be operated in a well ventilated environment, and if used with a case, the case should not be covered.
- Make sure the metal heatsink does not touch any electronic components on Raspberry Pi 5 or any accessories, to avoid the risk of unwanted electrical contact and shorting.
- Ensure the thermal pads are present and undamaged before use. If the pads are missing or damaged, you will need to replace them before using the Active Cooler.
- Take care when using the Active Cooler, as the metal parts of the product may become hot during operation.
- Avoid removing the Active Cooler once it is fitted to Raspberry Pi 5, as this product is not designed for repeated removal and replacement.

SAFETY INSTRUCTIONS

To avoid malfunction or damage to this product, please observe the following:

- Do not expose to water or moisture, or place on a conductive surface while in operation.
- Do not expose to heat from any external source; the Raspberry Pi Active Cooler for Raspberry Pi 5 is designed for reliable operation at normal ambient temperatures.
- Take care while handling to avoid mechanical or electrical damage to the fan and connectors.
- Avoid touching or handling the fan while it is powered.





Raspberry Pi is a trademark of Raspberry Pi Ltd
