

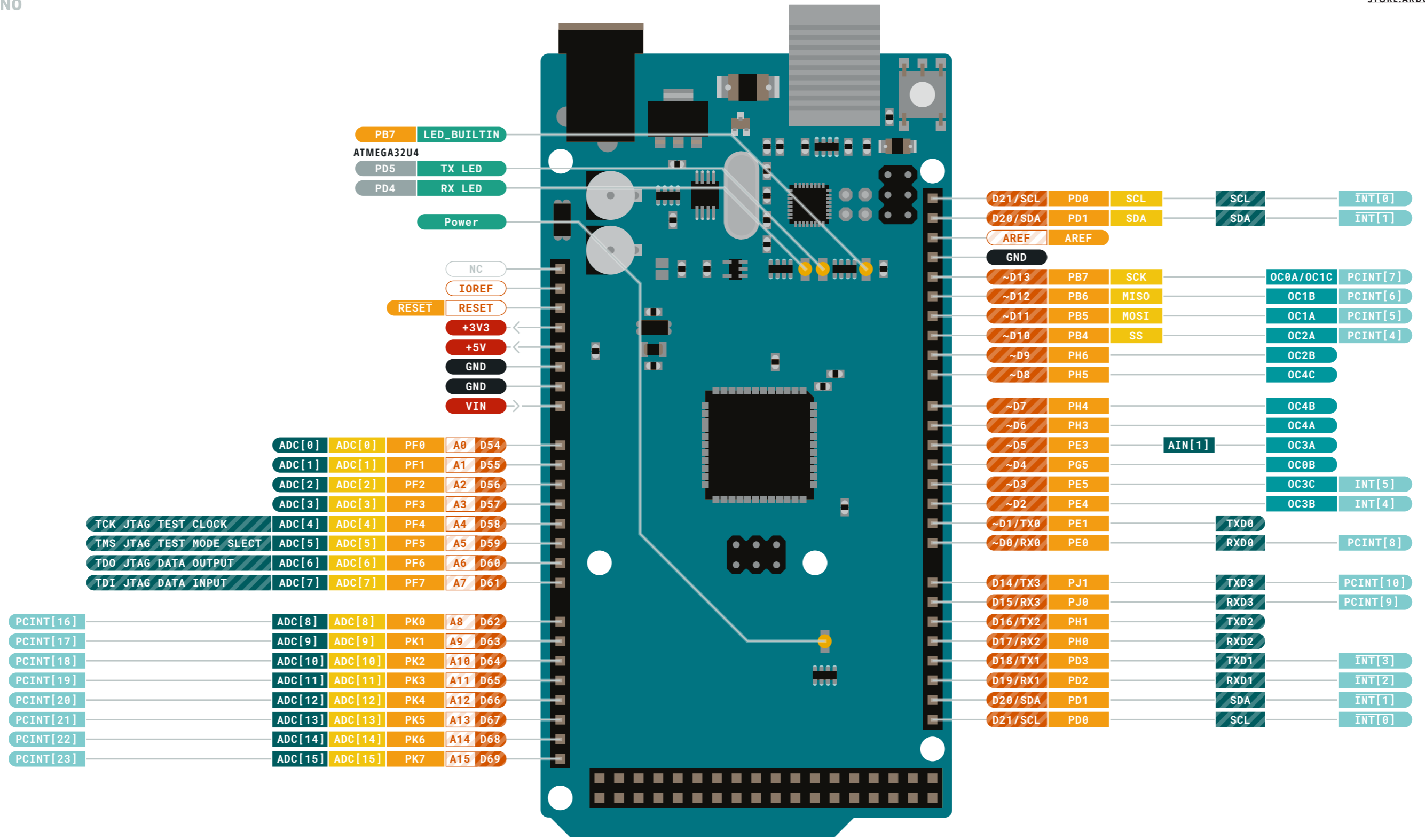
- Ground
- Power
- LED
- Internal Pin
- SWD Pin
- Digital Pin
- Analog Pin
- Other Pin
- Microcontroller's Port
- Default

⚠️ MAXIMUM current per I/O pin is 20mA **VIN** 6-20 V input to the board.

⚠️ MAXIMUM current per +3.3V pin is 50mA



This work is licensed under the Creative Commons Attribution-ShareAlike 4.0 International License. To view a copy of this license, visit <http://creativecommons.org/licenses/by-sa/4.0/> or send a letter to Creative Commons, PO Box 1866, Mountain View, CA 94042, USA.



	Ground		Digital Pin		Analog
	Power		Analog Pin		Communication
	LED		Other Pin		Timer
	Internal Pin		Microcontroller's Port		Interrupt
	SWD Pin		Default		Sercom

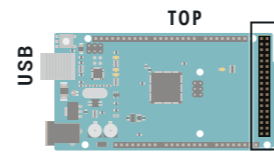
MAXIMUM current per I/O pin is 20mA

MAXIMUM current per +3.3V pin is 50mA

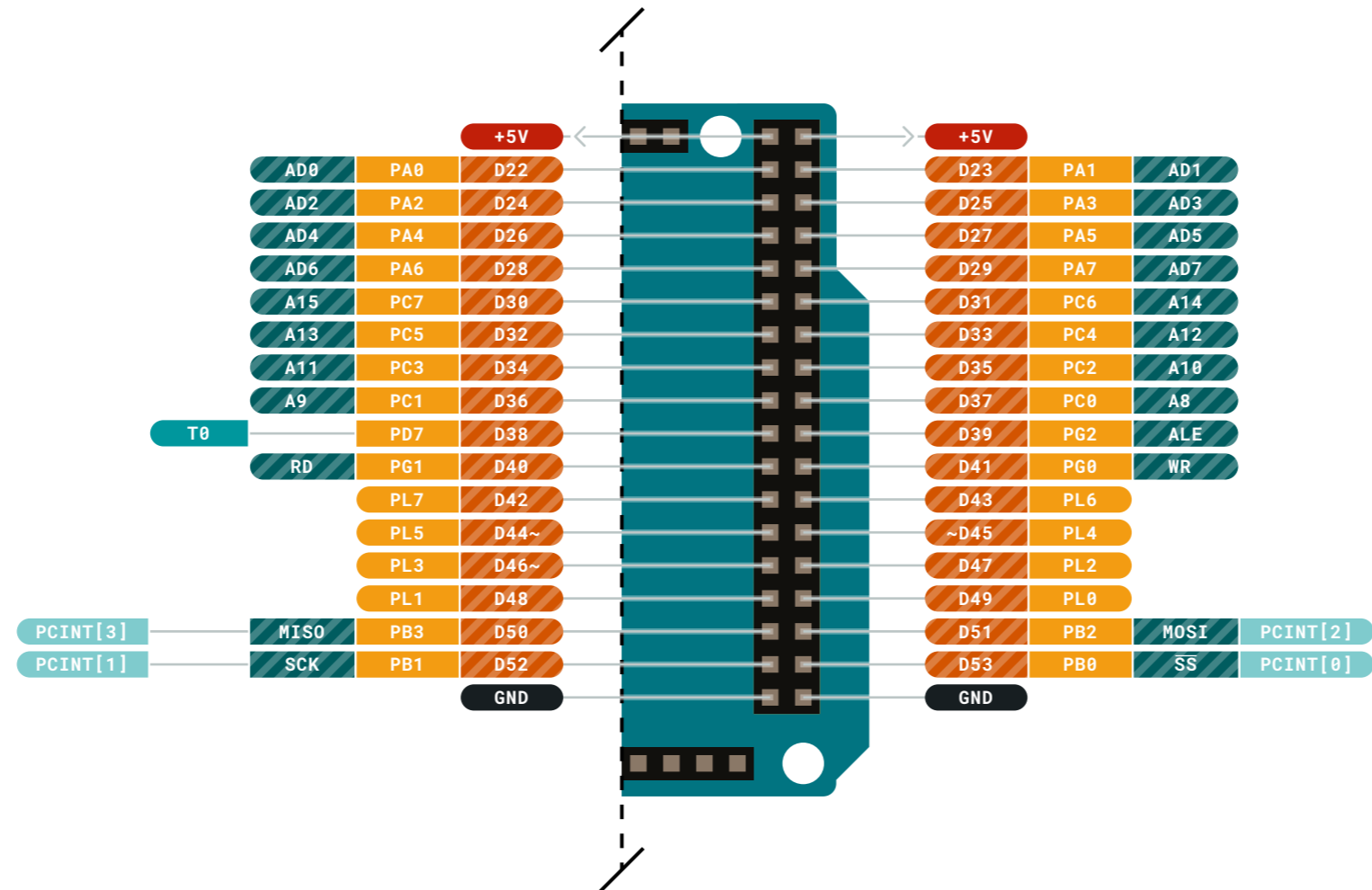
VIN 6-20 V input to the board.

ARDUINO.CC

This work is licensed under the Creative Commons Attribution-ShareAlike 4.0 International License. To view a copy of this license, visit <http://creativecommons.org/licenses/by-sa/4.0/> or send a letter to Creative Commons, PO Box 1866, Mountain View, CA 94042, USA.



Digital pins D22-D53



Ground	Digital Pin	Analog
Power	Analog Pin	Communication
LED	Other Pin	Timer
Internal Pin	Microcontroller's Port	Interrupt
SWD Pin	Default	Sercom

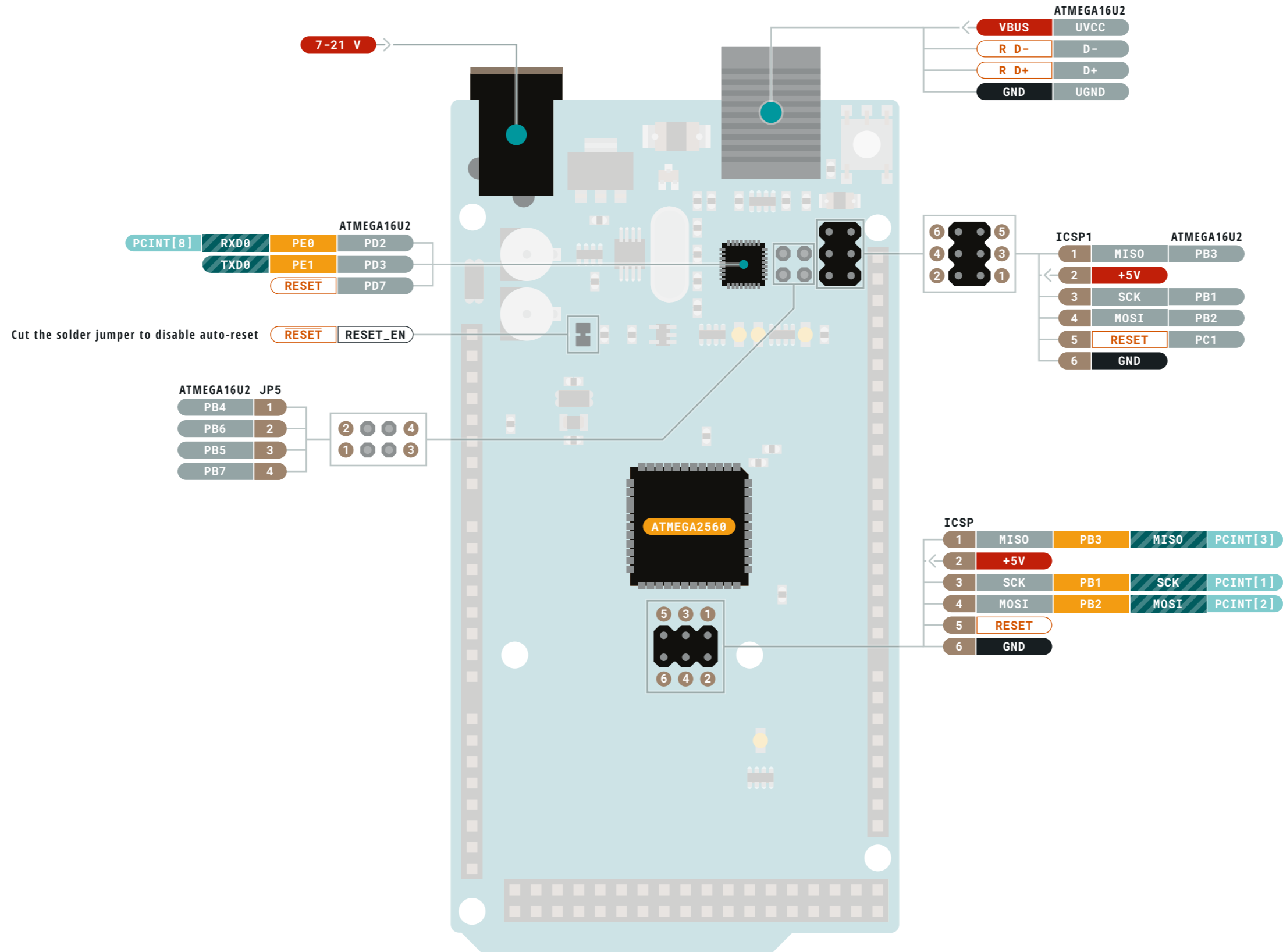
MAXIMUM current per I/O pin is 20mA

MAXIMUM current per +3.3V pin is 50mA

VIN 6-20 V input to the board.



This work is licensed under the Creative Commons Attribution-ShareAlike 4.0 International License. To view a copy of this license, visit <http://creativecommons.org/licenses/by-sa/4.0/> or send a letter to Creative Commons, PO Box 1866, Mountain View, CA 94042, USA.



Ground	Digital Pin	Analog
Power	Analog Pin	Communication
LED	Other Pin	Timer
Internal Pin	Microcontroller's Port	Interrupt
SWD Pin	Default	Sercom

MAXIMUM current per I/O pin is 20mA

MAXIMUM current per +3.3V pin is 50mA

VIN 6-20 V input to the board.

