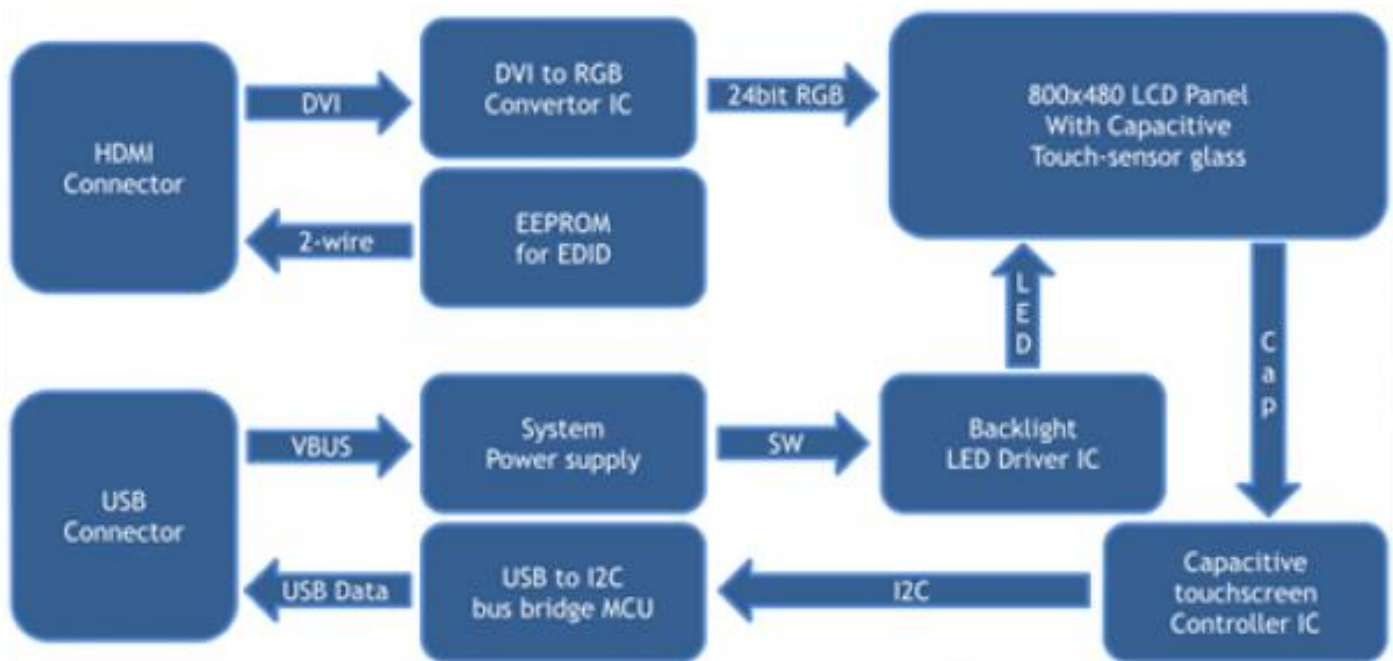
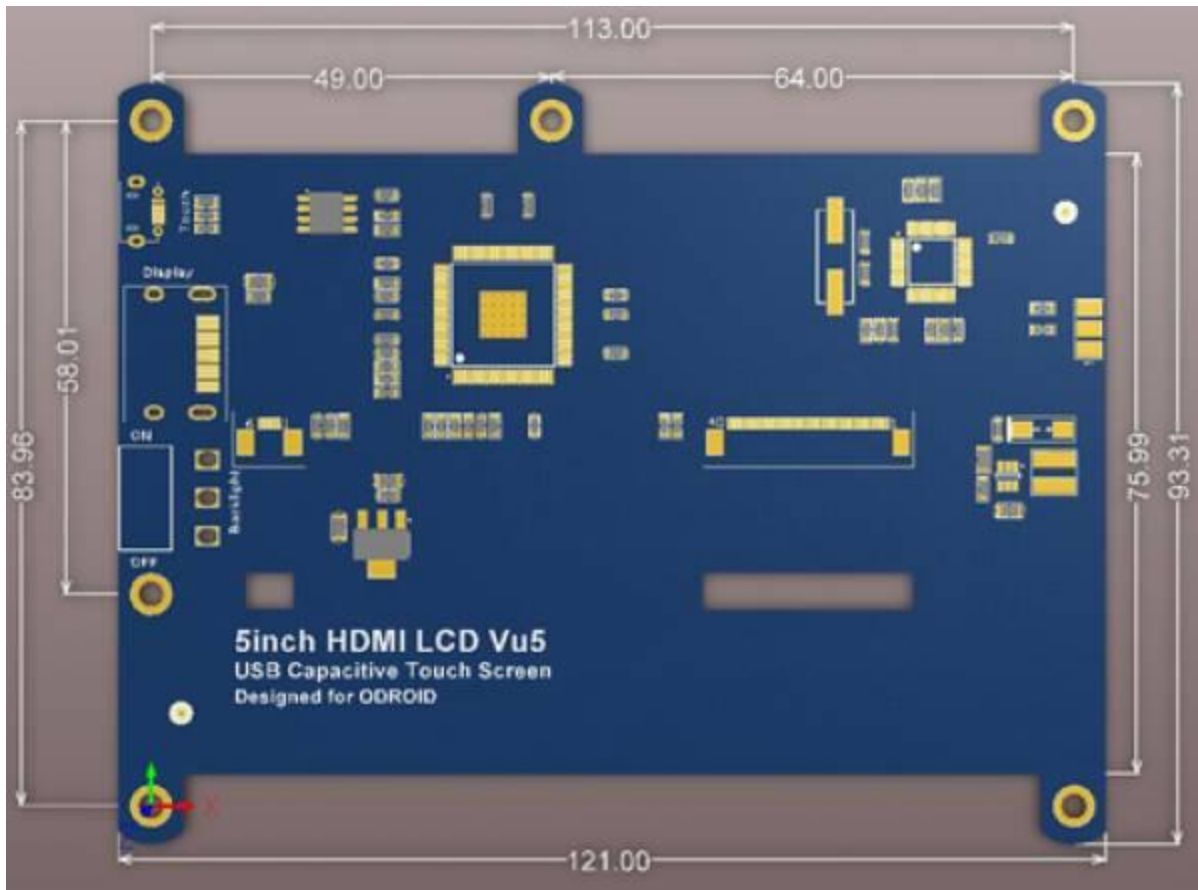


# ODROID-VU-5

- 5-inch TFT-LCD
- Screen Resolution: **800×480 pixels**
- 5 finger capacitive touch input (USB ID **16B4:0704**)
- Power consumption : 500mA/5Volt
- Backlight on/off slide switch
- Viewing angle (in degree) : Left 70, Right 70, Up 70, Down 50
- Screen Dimensions : 121 x 93.31 x 15 mm Including switch and connectors)
- Viewable screen size : 108 x 64 mm (active area)

## Diagram & Physical Dimensions





## Assembly

You can easily attach the C2 / C1+ board onto the backside of the LCD screen in order to create a fully integrated system.

It also works with the original C1 board if you use a micro-HDMI cable and a micro-USB cable.

### Option 1



## Option 2



# Software Setting

## Ubuntu

- [ODROID-XU4](#)
- [ODROID-C1/C1+/C0](#)
- [ODROID-C2](#)
- [ODROID-N2](#)

To use the VU5 on XU4 Linux system, you must update the kernel **3.10.92-63 or higher**.

```
sudo apt update && sudo apt dist-upgrade
```

Also, don't forget to configure the boot.ini file like this for 800×480 resolution and DVI output mode:

Configuration for XU4/3 (Edit boot.ini file)

```
# --- Screen Configuration for HDMI --- #
# -----
# 800x480 without monitor data using generic information (ODROID VU7 and VU5)
setenv videoconfig "drm_kms_helper.edid_firmware=edid/800x480.bin"
# -----

# --- HDMI / DVI Mode Selection ---
```

```
# -----  
# - HDMI Mode  
# setenv vout "hdmi"  
# - DVI Mode (disables sound over HDMI as per DVI compat)  
setenv vout "dvi"
```

## Android

To use ODROID-VU5 on Android, you have to change resolution of Android to **800x480p60hz**. Basically, you can change the resolution by **ODROID Utility** Apps. In ODROID Utility, you can find **ODROID-VU5/7** Options from resolution list.

But we also provide manual changing methods.

### Manual Method

1. On the ODROID, edit boot.ini file.

- /storage/internal/boot.ini

If v4.0 or later

- /internal/boot.ini

```
$ su  
$ cd <path to boot.ini>  
$ vi boot.ini
```