

[Skip to content](#)

Manuals+

User Manuals Simplified.



Mi Home Security Camera 2K User Manual

Home » [Mi](#) » [Mi Home Security Camera 2K User Manual](#) 

Mi 360° Home Security Camera 2K

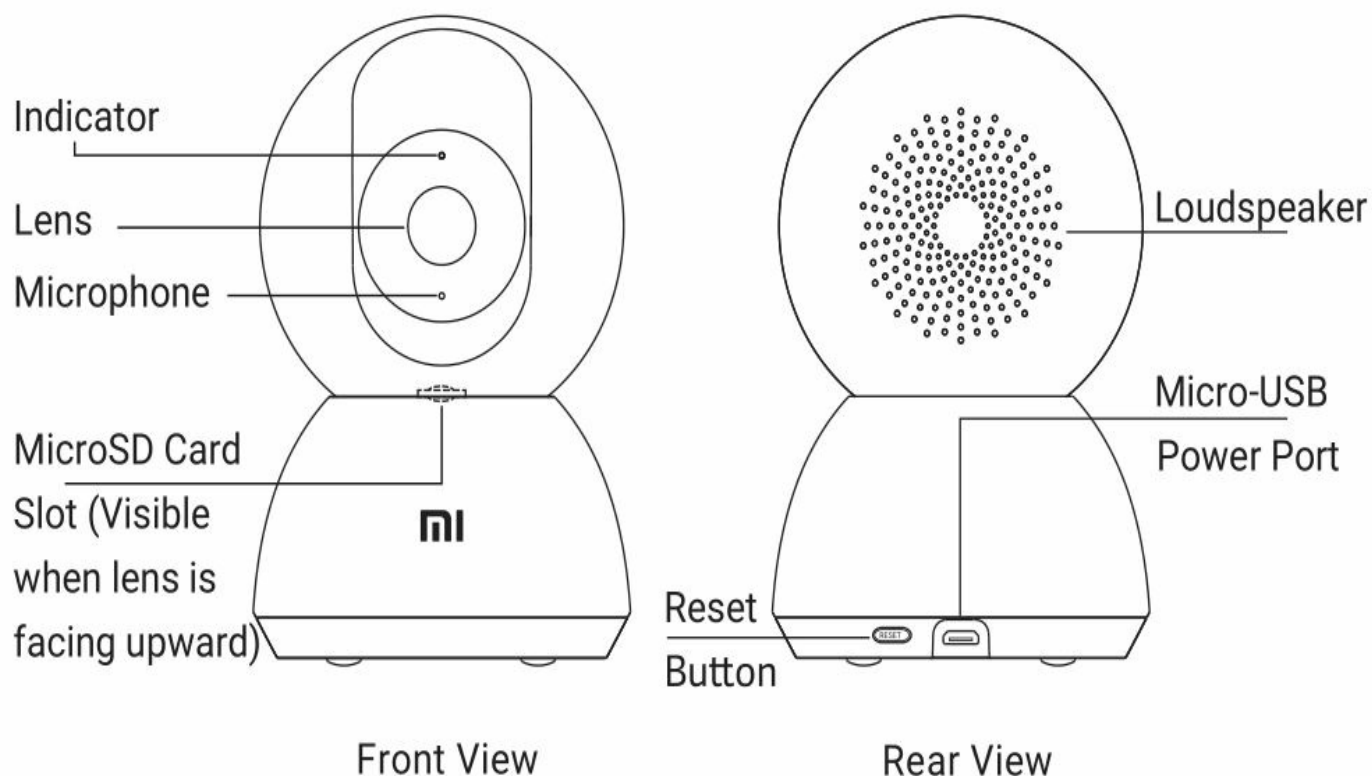


Contents [[hide](#)]

- [1 Product Overview](#)
- [2 Installation](#)
- [3 How to Use](#)
- [4 Connect with Mi Home/Xiaomi Home App](#)
- [5 Real-time Surveillance](#)
- [6 Infrared Night Vision](#)
- [7 Playback](#)
- [8 Home Surveillance Assistant](#)
- [9 Video Sharing](#)
- [10 Precautions](#)
- [11 WEEE Information](#)
- [12 EU Declaration of Conformity](#)
- [13 Specifications](#)
- [14 File Downloads](#)
- [15 References](#)
- [16 Related Manuals](#)

Product Overview

Read this manual carefully before use, and retain it for future reference.

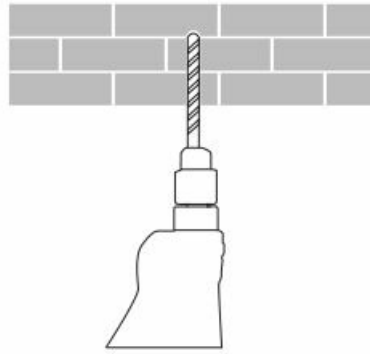
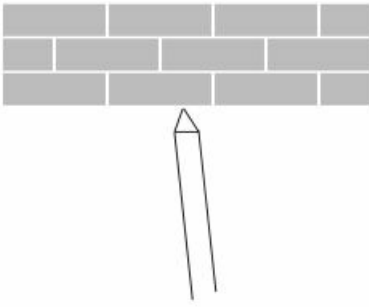


Package Contents: Mi 360° Home Security Camera 2K, charging cable, wall mounting kit, user manual

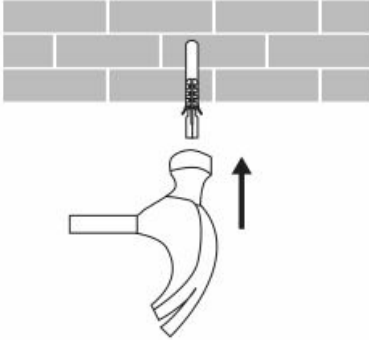
Installation

You can place the Mi 360° Home Security Camera 2K on horizontal surfaces, such as desks, dining tables, and coffee tables. You can also mount it on a wall. Mounting the camera on a wall:

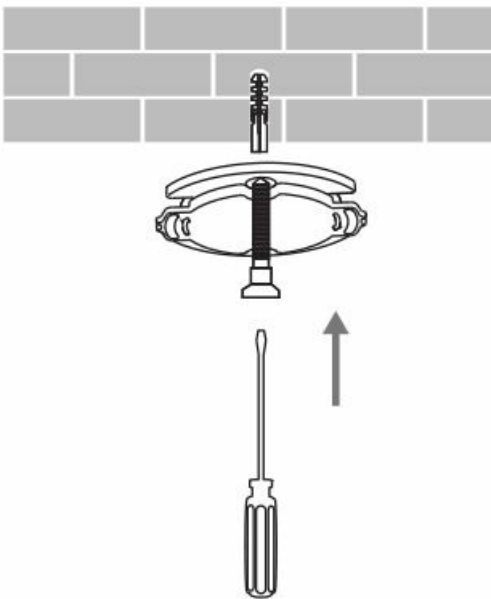
1. First use a pencil to mark the positions for the base mounting holes on the wall, then drill two holes at the marked positions. The diameter of each hole is approximately 6 mm, and the depth is approximately 30 mm.



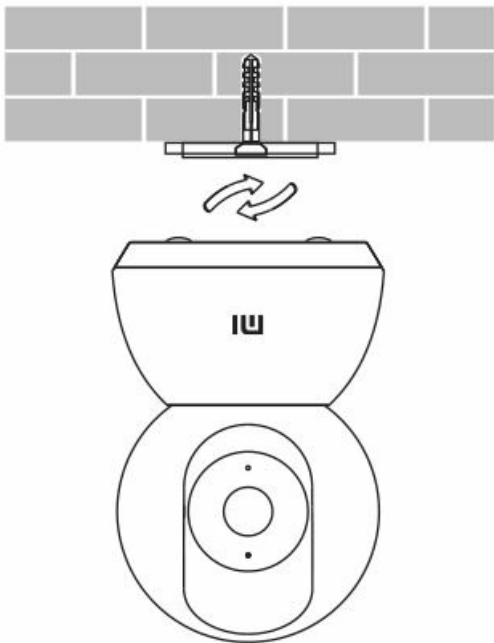
2. Insert a plastic wall plug into each drilled hole.



3. Place the side of the base with arrows facing forward, and then align the holes. Insert the screws and then tighten them into the wall plugs with a Phillips head screwdriver.



4. Align the grooves on the bottom of the camera with the raised part on the base, and then turn it clockwise until it locks into place.



 Notes:

The wall must be able to support at least three times the total weight of the camera.

 Warning

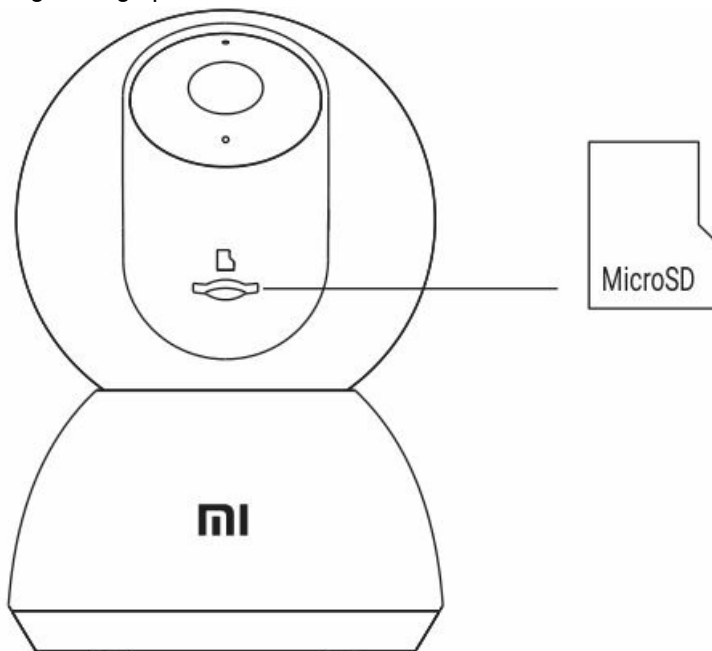
To prevent possible injury, the camera must be securely fixed to the ceiling or wall according to the installation instructions.

How to Use

- Installing a MicroSD card

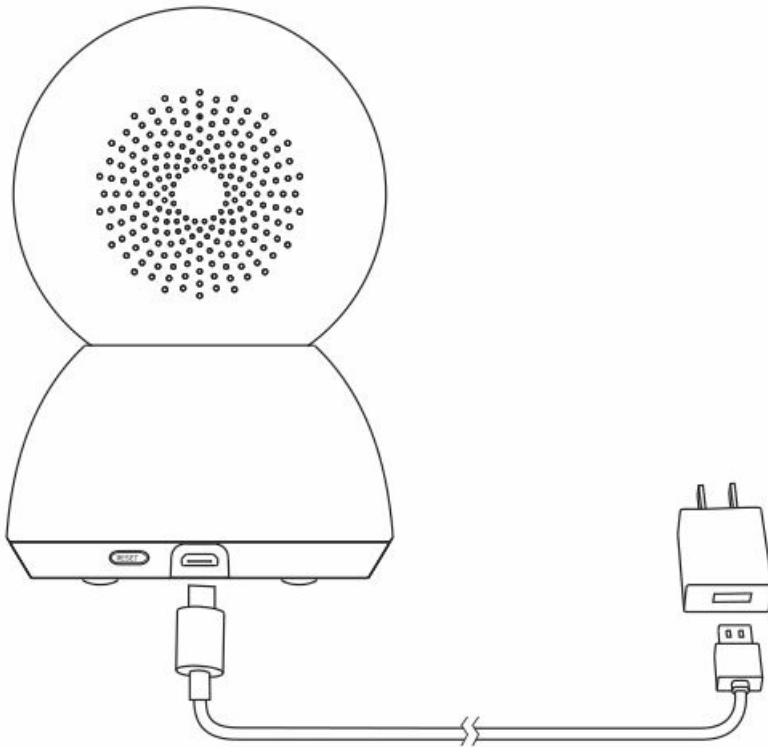
Make sure the camera is turned off. Push the lens upward to reveal the MicroSD card slot. Insert the microSD card into the card slot with its contact points facing downward.

Note: Disconnect the camera from the power before installing or removing a MicroSD card. Please use a genuine MicroSD card (up to 32 GB) manufactured by a qualified supplier. It is recommended to use a card with a reading/writing speed of no less than U1/Class 10.



- Turning on the camera

Plug the charging cable into Micro-USB port on the back, the camera automatically turns on, and the indicator quickly blinks orange.



Note: When the camera is working, do not turn the lens of the camera nor force it to rotate. If the positioning of the lens is inaccurate, please calibrate it in the Mi Home/Xiaomi Home app.

- Indicator
 - Blue: Connected successfully/Working properly
 - Blinking blue: Network error
 - Quickly blinking orange: To be connected
 - Slowly blinking orange: Updating

Connect with Mi Home/Xiaomi Home App

This product works with Mi Home/Xiaomi Home app*. Control your device with Mi Home/Xiaomi Home app. Scan the QR code to download and install the app. You will be directed to the connection setup page if the app is installed already. Or search “Mi Home/Xiaomi Home” in the app store to download and install it. Open Mi Home/Xiaomi Home app, tap “+” on the upper right, and then follow prompts to add your device.

* The app is referred to as Xiaomi Home app in Europe (except for Russia). The name of the app displayed on your device should be taken as the default.



<http://home.mi.com/do/index.html?model=chuangmi.camera.029a02>

Note: The version of the app might have been updated, please follow the instructions based on the current app version.

Make sure the camera turns on and the network connection is stable during connecting. The indicator is quickly blinking orange when waiting for a connection, and turns into blue once the camera is successfully connected.

- Restoring factory settings

If the network connection or the Mi account that the camera is paired with has been changed, you need to restore the factory settings. Press and hold the reset button for about three seconds. Once the indicator starts quickly blinking orange, the factory settings have been restored successfully. Then you can reconnect the camera with the app. Note: Restoring factory settings will not delete the content on the MicroSD card.

Real-time Surveillance

In the app, you can view the real-time surveillance, adjust the sharpness of the image, adjust the horizontal and vertical angles, capture and record, and make calls.

Infrared Night Vision

As the ambient light dims, the camera can automatically switch to night vision mode. With the built-in infrared lights, it can clearly capture video in the dark.

Playback

- The playback feature of the camera is only available when a compatible MicroSD card is installed.
- Once a MicroSD card is installed and the camera is plugged in, it will automatically start recording video. Tap the playback button in the app, then drag the timeline to select the time period you want to playback. The maximum supported playback speed is 16x.

Home Surveillance Assistant

- When the home surveillance assistant is enabled, the camera will record videos if it detects human movement and changes in real-time within its surveilled area. Then you will get the app push notification.
- You can enable or disable the home surveillance assistant in the Mi Home/Xiaomi Home app.
- You can set 24-hour, daytime, nighttime, custom period surveillance, alert sensitivity and alert time intervals, etc.



Video Sharing

In the app, you can select the device sharing option in the settings menu to share the camera with others. Users you

share the camera with need to download the app and sign in with their Mi account.

Note: Illustrations of product, accessories, and user interface in the user manual are for reference purposes only. Actual product and functions may vary due to product enhancements.

Precautions

- The operating temperature range for this camera is between -10°C and 40°C. Do not use the camera in environments with temperatures above or below the specified range.
- The camera is a precision electronic product. In order to ensure its normal operation, do not install the camera in environments with high humidity levels nor allow water to get into it.
- To improve the camera's performance, do not place its lens facing or next to a reflective surface, such as glass windows or white walls, as this will cause the image to appear overly bright in areas close to the camera and darker in areas further away, or cause the camera to produce white images.
- Make sure the camera is installed in an area with a strong Wi-Fi signal. Do not place the camera near the objects that may affect its Wi-Fi signal, such as metal objects, microwave ovens.
- Under normal use of condition, this equipment should be kept a separation distance of at least 20 cm between the antenna and the body of the user.

WEEE Information



All products bearing this symbol are waste electrical and electronic equipment (WEEE as in directive 2012/19/EU) which should not be mixed with unsorted household waste. Instead, you should protect human health and the environment by handing over your waste equipment to a designated collection point for the recycling of waste electrical and electronic equipment, appointed by the government or local authorities. Correct disposal and recycling will help prevent potential negative consequences to the environment and human health. Please contact the installer or local authorities for more information about the location as well as terms and conditions of such collection points.

EU Declaration of Conformity

Hereby, Shanghai Imilab Technology Co., Ltd. declares that the radio equipment type Mi 360° Home Security Camera 2K is in compliance with Directive 2014/53/EU. The full text of the EU declaration of conformity is available at the following internet address: <http://www.mi.com/global/service/support/declaration.html>



Specifications

Name: Mi 360° Home Security Camera 2K

Model: MJSXJ09CM

Net Weight: 269 g

Item Dimensions: 115 × 78 × 78 mm

Input: 5 V 2 A

Viewing Angle: 110°

Resolution: 2304 × 1296

Aperture: F1.4

Video Codec: H.265
Operating Temperature: -10°C to 40°C
Compatible with: Android 4.4 & iOS 9.0 or above
Storage: MicroSD card (up to 32 GB)
Wireless Connectivity: Wi-Fi IEEE 802.11 b/g/n 2.4 GHz
Wi-Fi Operation Frequency: 24122472 MHz
Wi-Fi Maximum Output Power: <20 dBm

For further information, please go to www.mi.com
Manufactured by: Shanghai Imilab Technology Co., Ltd.
(a Mi Ecosystem company)
Address: Room 001A, Floor 11, Block 1, No. 588 Zixing Road, Minhang District,
Shanghai, China

Importer:
Beryko s.r.o.
Na Roudné 1162/76, 301 00 Plzeň
www.berkyo.cz

File Downloads

MI 360° Home Security Camera 2K
User Manual

Mi User Manual [Download](#) [optimized]
Mi, Mi 360, MJSXJ09CM [Download](#)



References

-  [Xiaomi United States - Xiaomi United States](#)
-  [Mi Global Home](#)
-  [Beryko.cz](#)

Related Manuals

1. [MI 360° Home Security Camera 2K Pro User Manual](#) MI 360° Home Security Camera 2K Pro Product Overview Read...
2. [MI Home Security Camera User Manual](#) Mi Home Security Camera 360° 1080p User Manual Read this...
3. [MI Home Security Camera Basic 1080P User Manual](#) Mi Home Security Camera Basic 1080P User Manual Read this...
4. [Mi Home Security Camera 1080p Magnetic Mount User Manual](#) Mi Home Security Camera 1080p Magnetic Mount User Manual Product...
5. [Mi 360° 1080p Home Security Camera User Manual](#) User Manual Mi 360° 1080p Home Security Camera Read this...
6. [Mi Home Security Camera Manual](#) Mi Home Security Camera User Manual This version is for...