

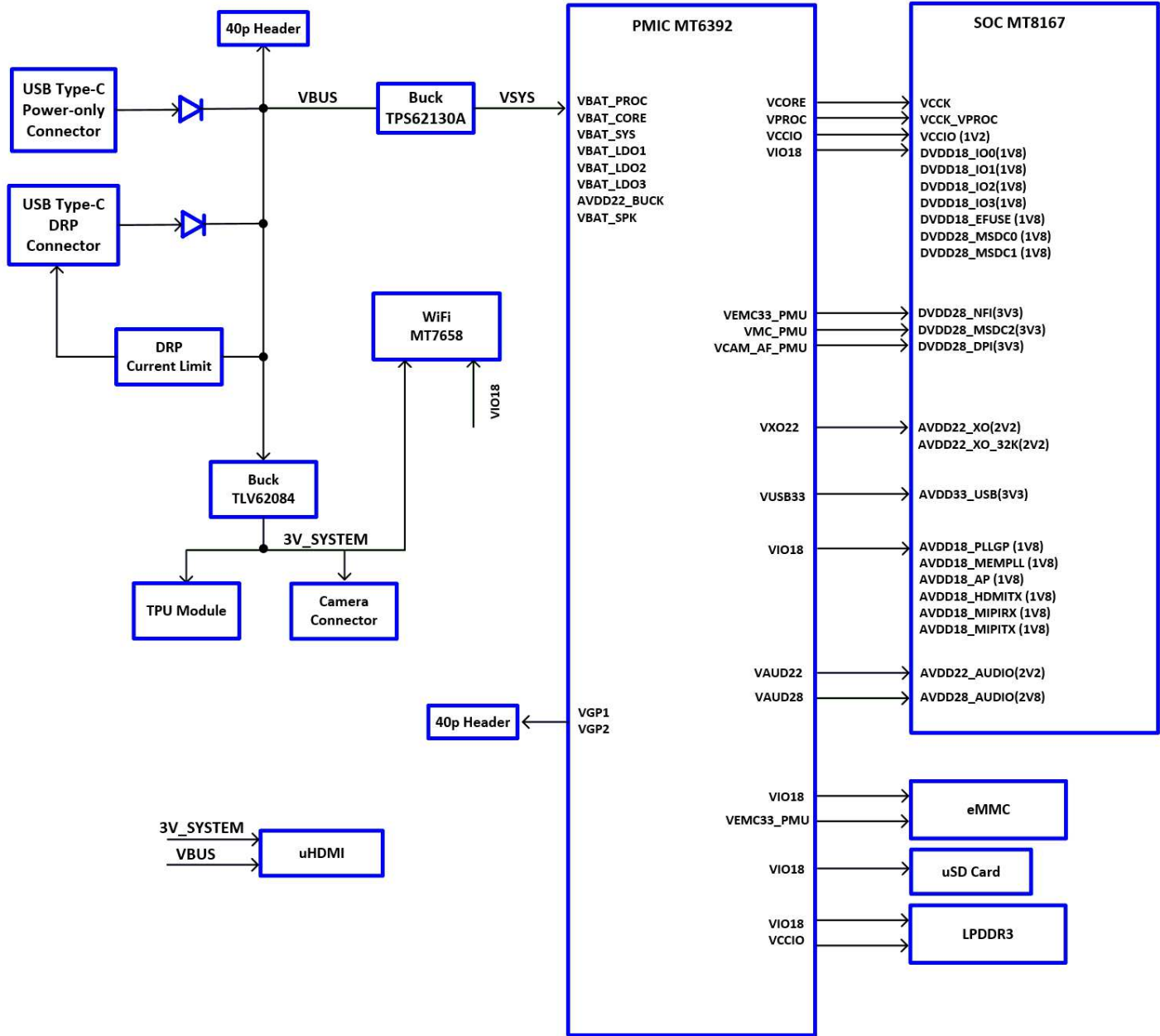


Project: Dev Board Mes		Rev: 1.0	 
Engineer: TaoHenry		Sheet 1 of 18	
Date: Thursday, December 10, 2020		Size: C	
Block Diagram			

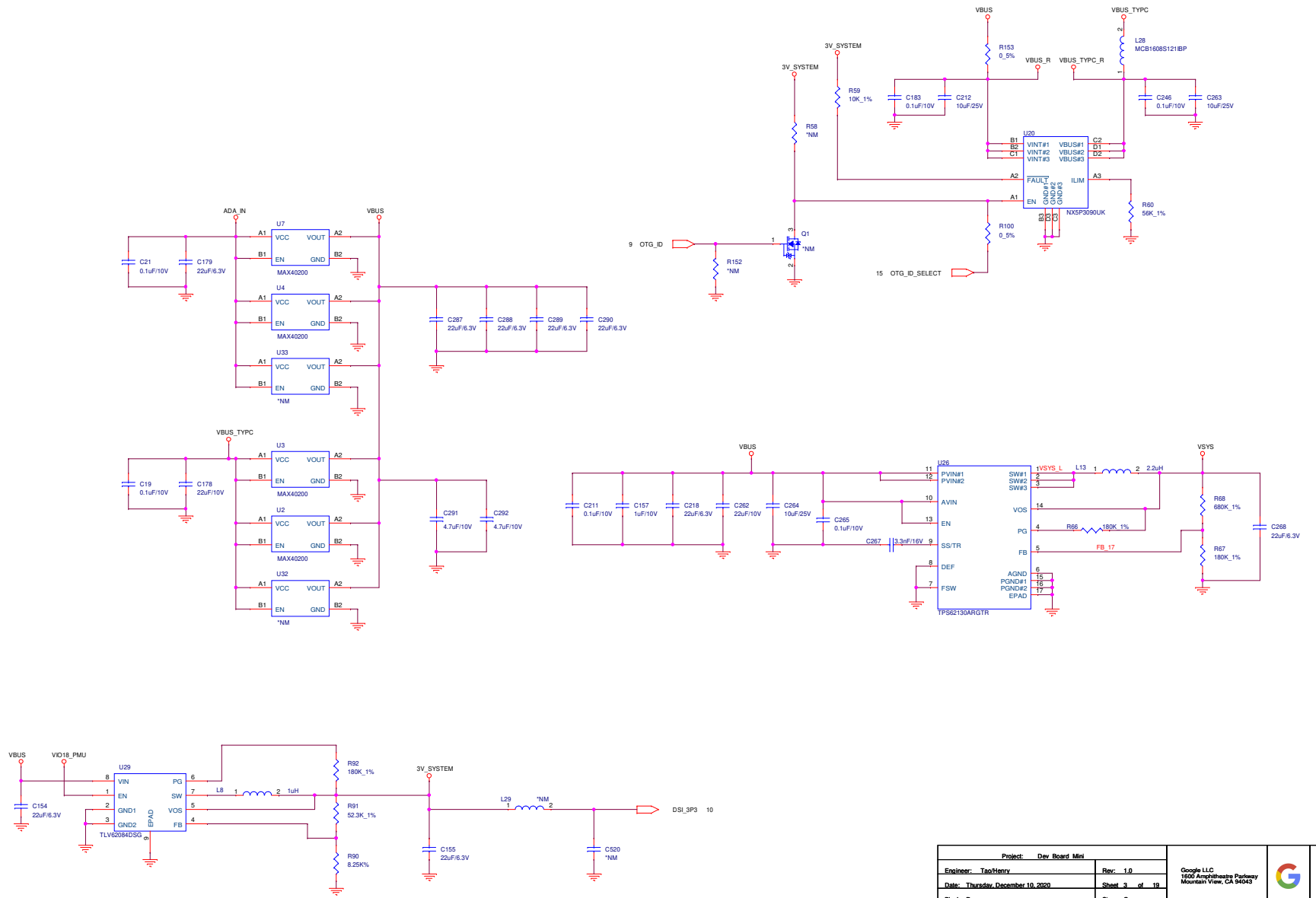
Google LLC  
1600 Amphitheatre Parkway  
Mountain View, CA 94043





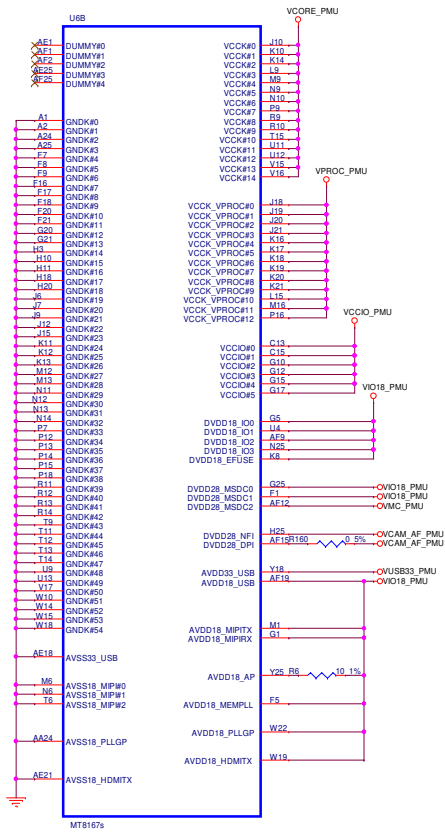
Project: Dev Board M05	
Engineer: TaoHenry	Rev: 1.0
Date: Thursday, December 10, 2020	Sheet 2 of 18
Block: Power Diagram	Size: C

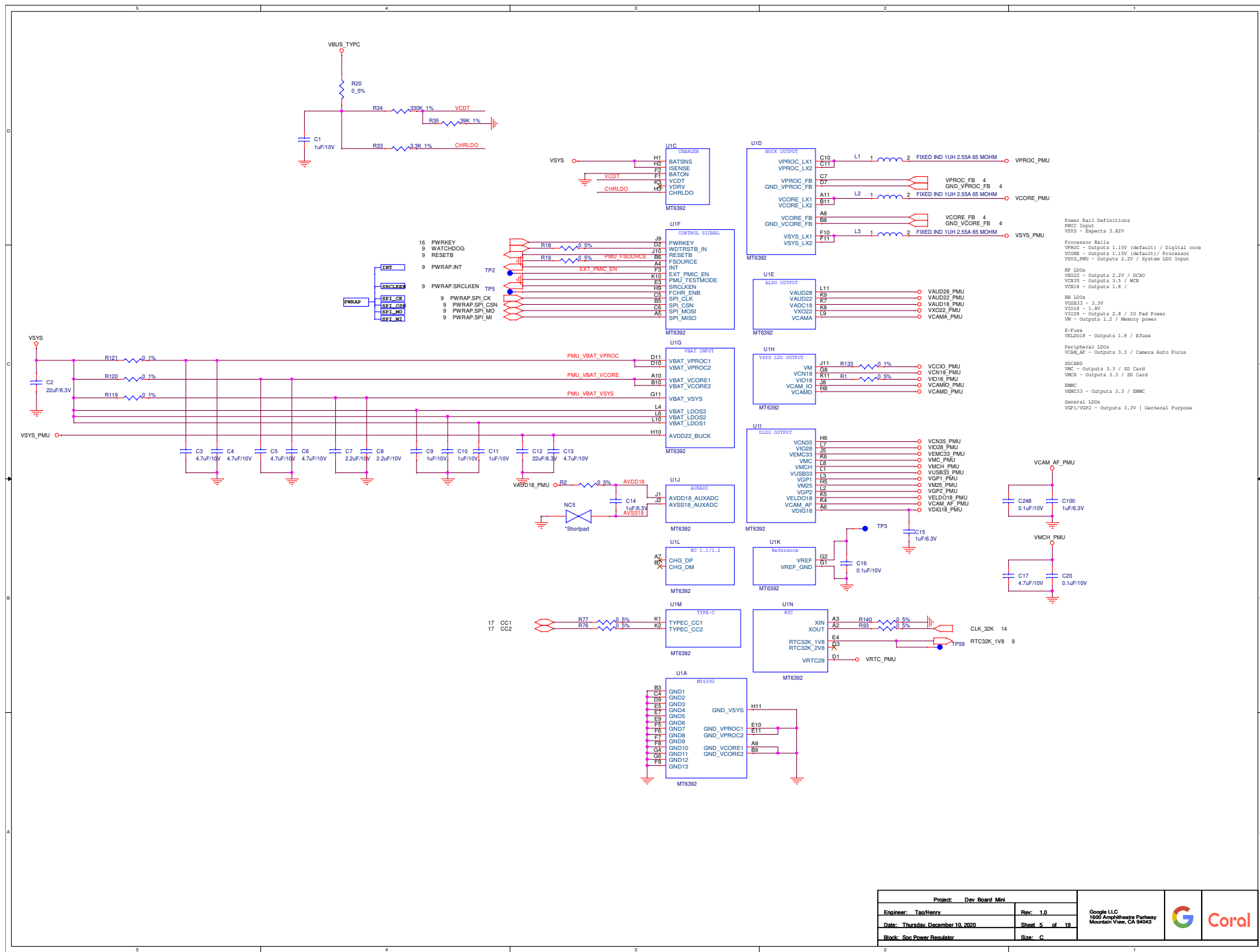
Google LLC  
1600 Amphitheatre Parkway  
Mountain View, CA 94043

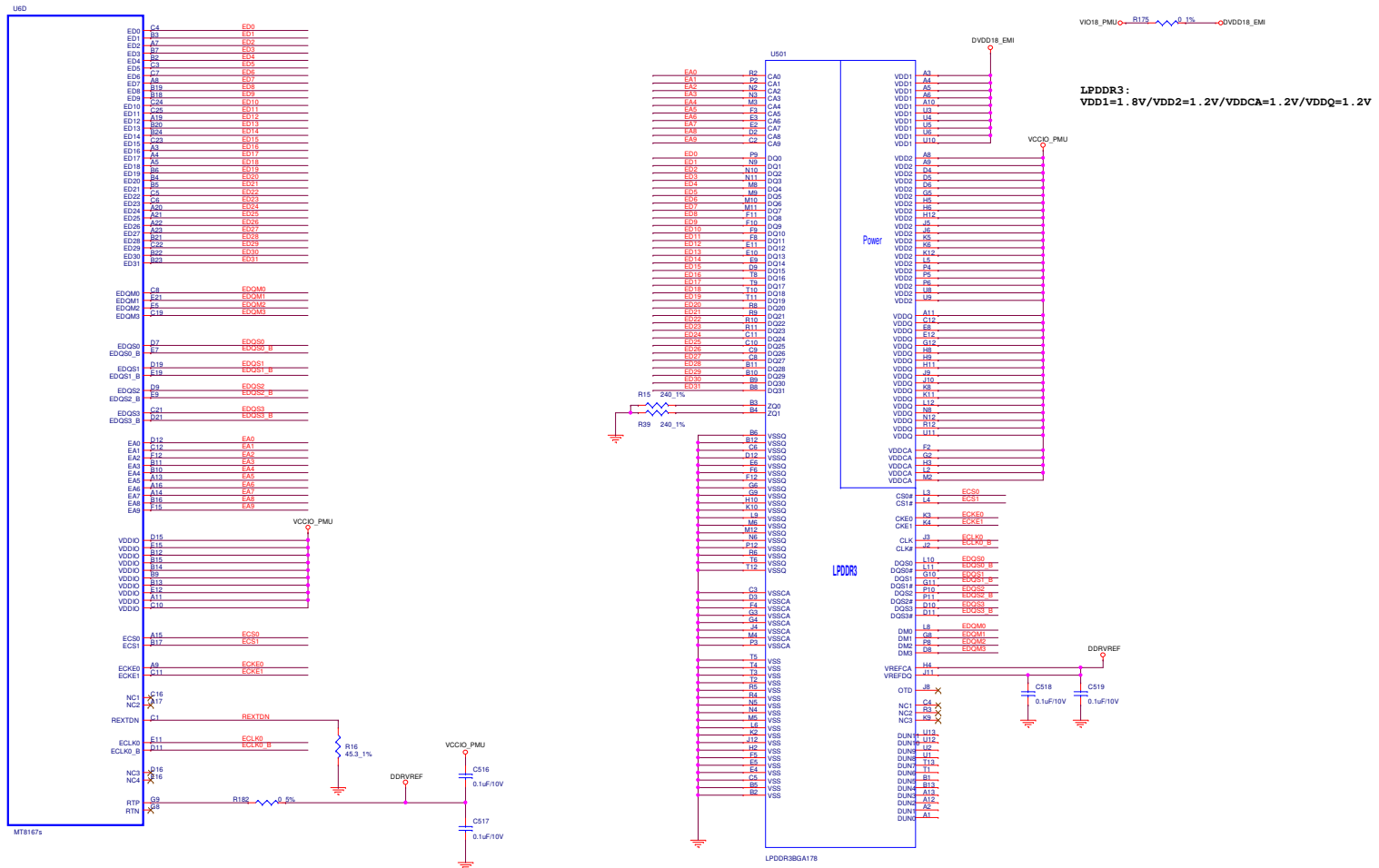


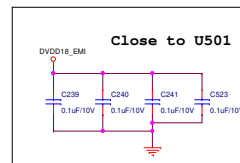
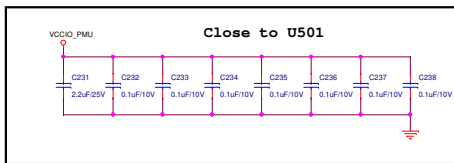
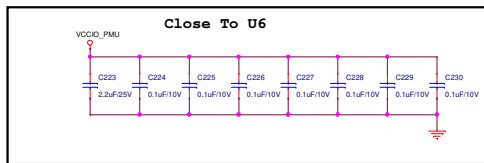
Project: Dev Board Mes		 Google LLC 1600 Amphitheatre Parkway Mountain View, CA 94043	
Engineer: TaoHenry	Rev: 1.0		
Date: Thursday, December 10, 2020	Sheet 3 of 19		
Block: Power	Size: C		



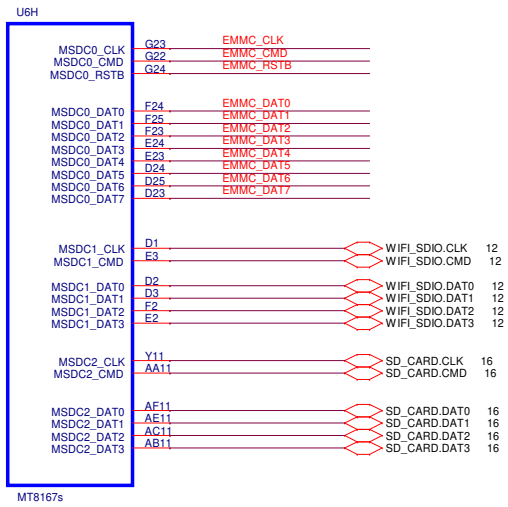




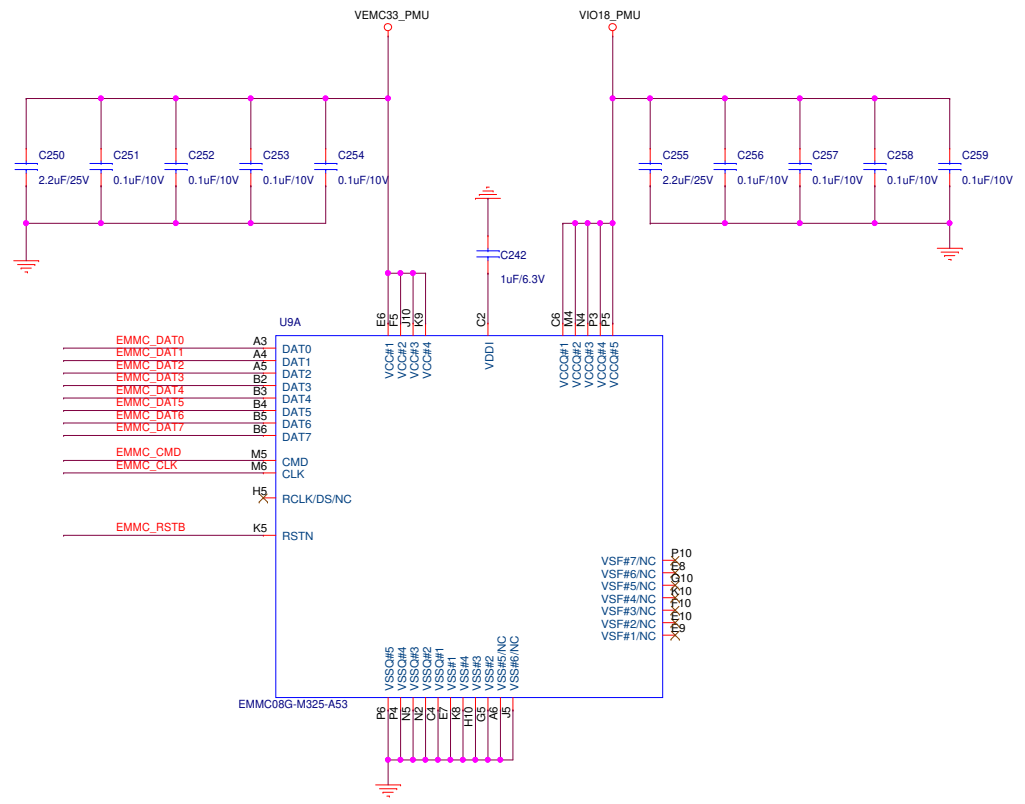
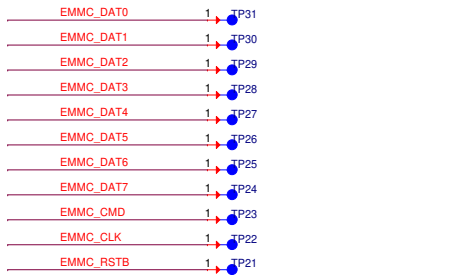
LPDDR3:  
 VDD1=1.8V/VDD2=1.2V/VDDCA=1.2V/VDDQ=1.2V



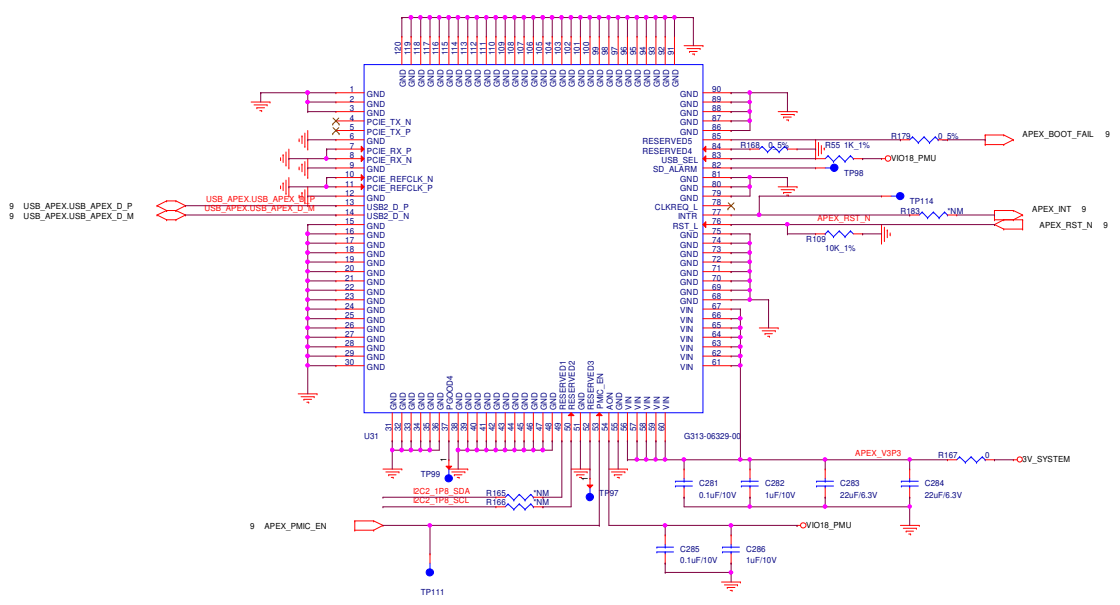
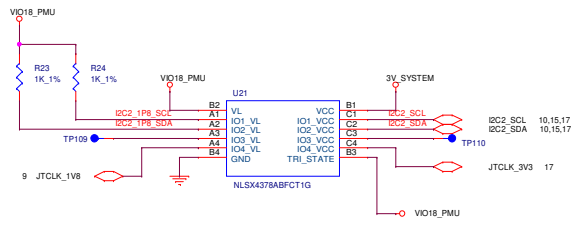
Project: Dev Board Mkt		 
Engineer: TaoHenry	Rev: 1.0	
Date: Thursday, December 16, 2020	Sheet 6 of 19	
Block: Memory	Size: Custom	





MT8167s

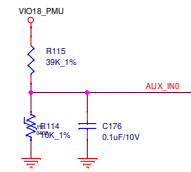
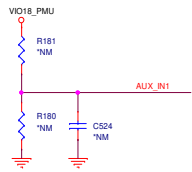
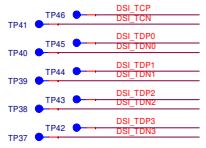
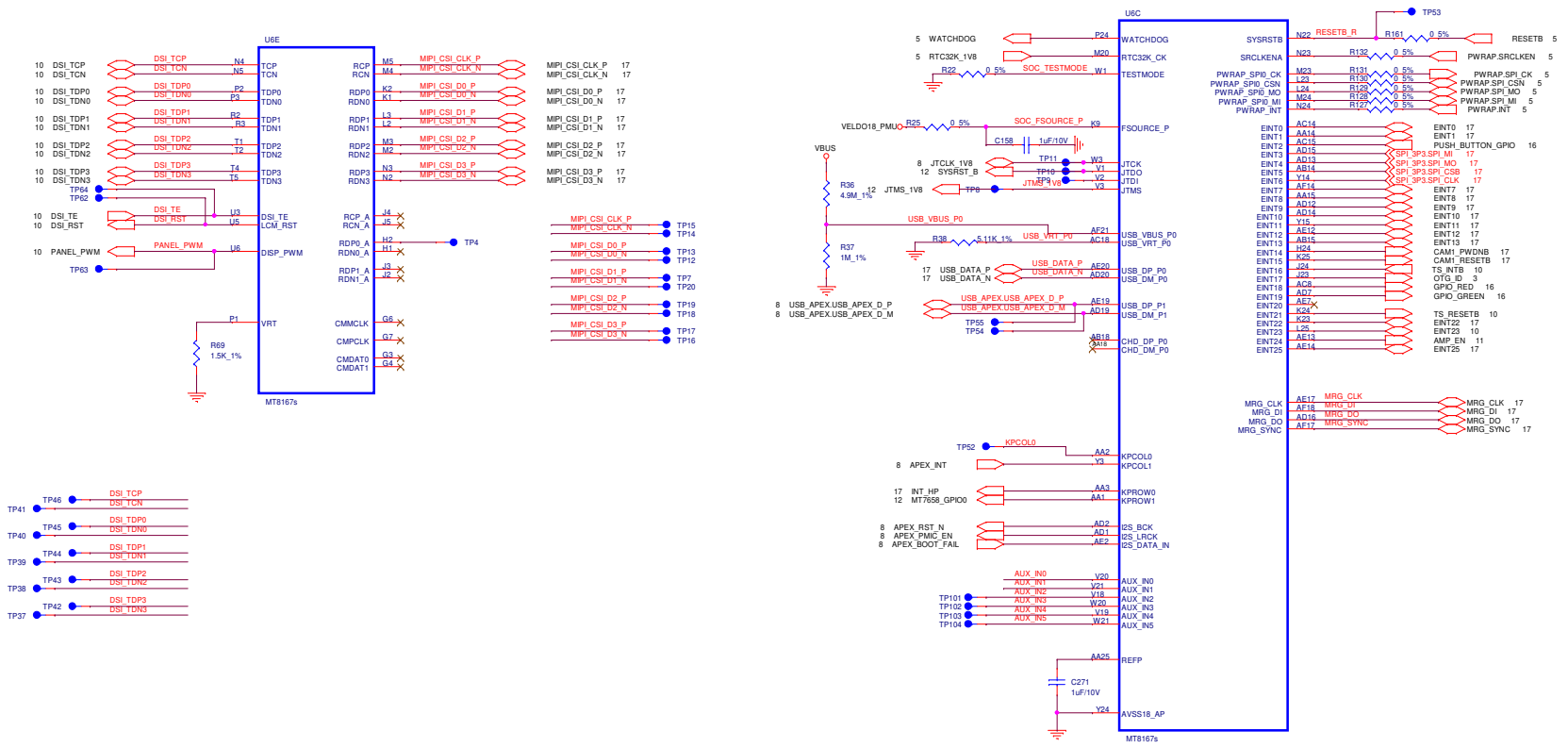


Project: Dev Board Mini		Google LLC 1600 Amphitheatre Parkway Mountain View, CA 94043		G Coral
Engineer: Tao/Henry	Rev: 1.0			
Date: Thursday, December 10, 2020	Sheet 7 of 19			
Block: eMMC	Size: B			



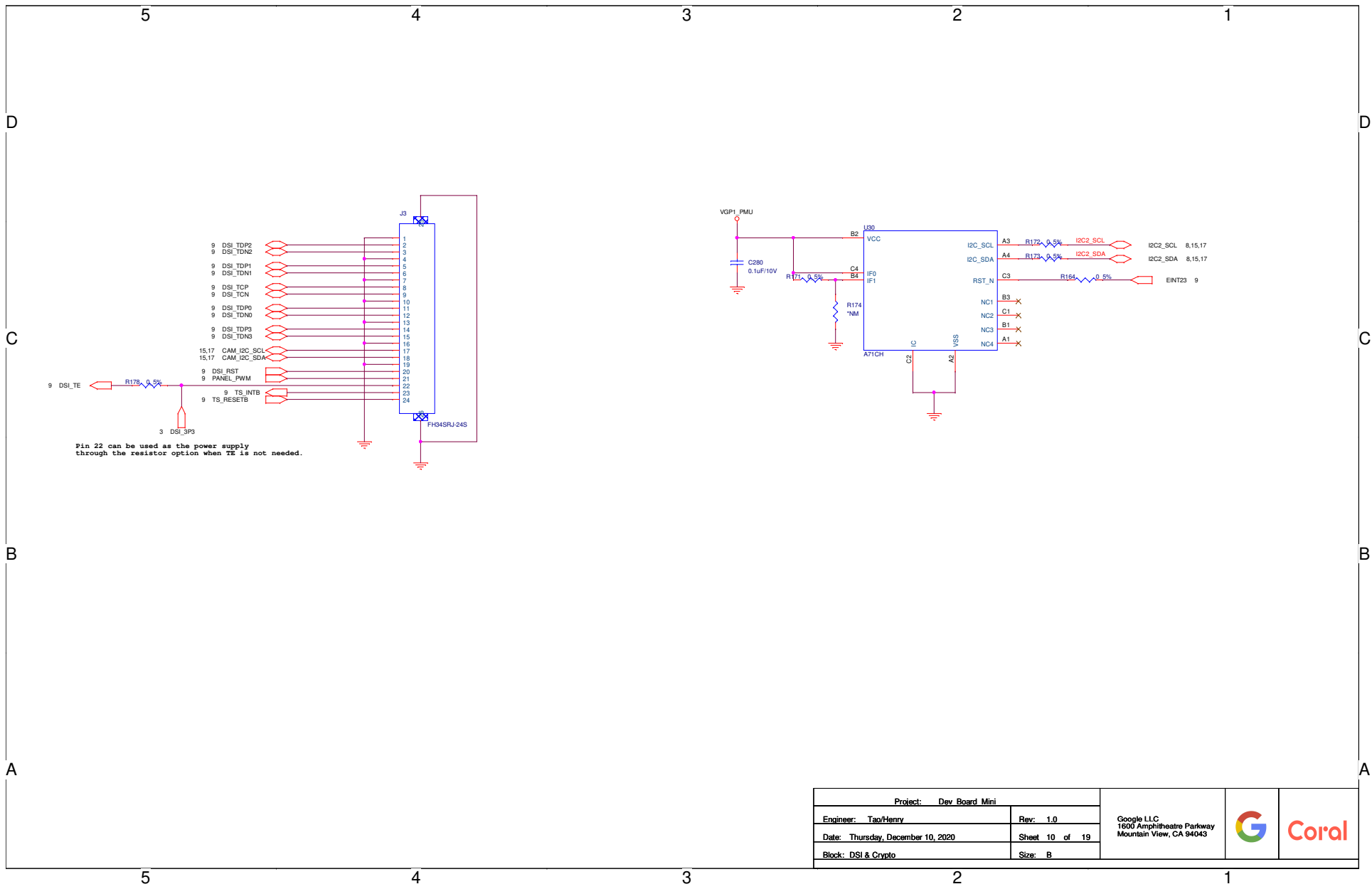
Project: Dev Board Mes		Google LLC 1600 Amphitheatre Parkway Mountain View, CA 94043	 
Engineer: TaoHenry	Rev: 1.0		
Date: Thursday, December 10, 2020	Sheet: 8 of 18		
Block: EdgeTPU Module	Size: C		







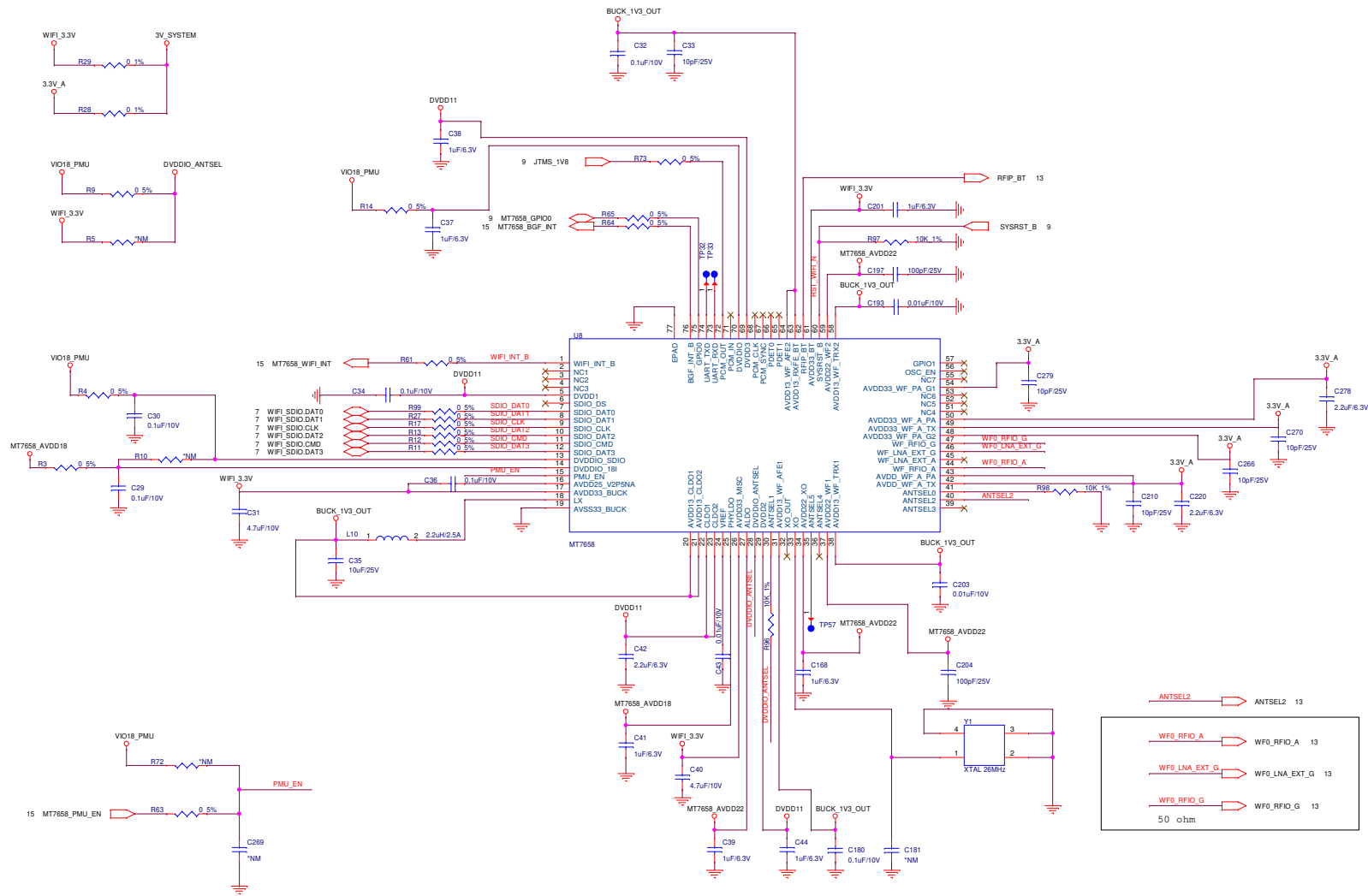
Project: Dev Board M05		
Engineer: TaoHenry	Rev: 1.0	
Date: Thursday, December 10, 2020	Sheet 9 of 18	
Block: GPIO & CSI	Size: C	

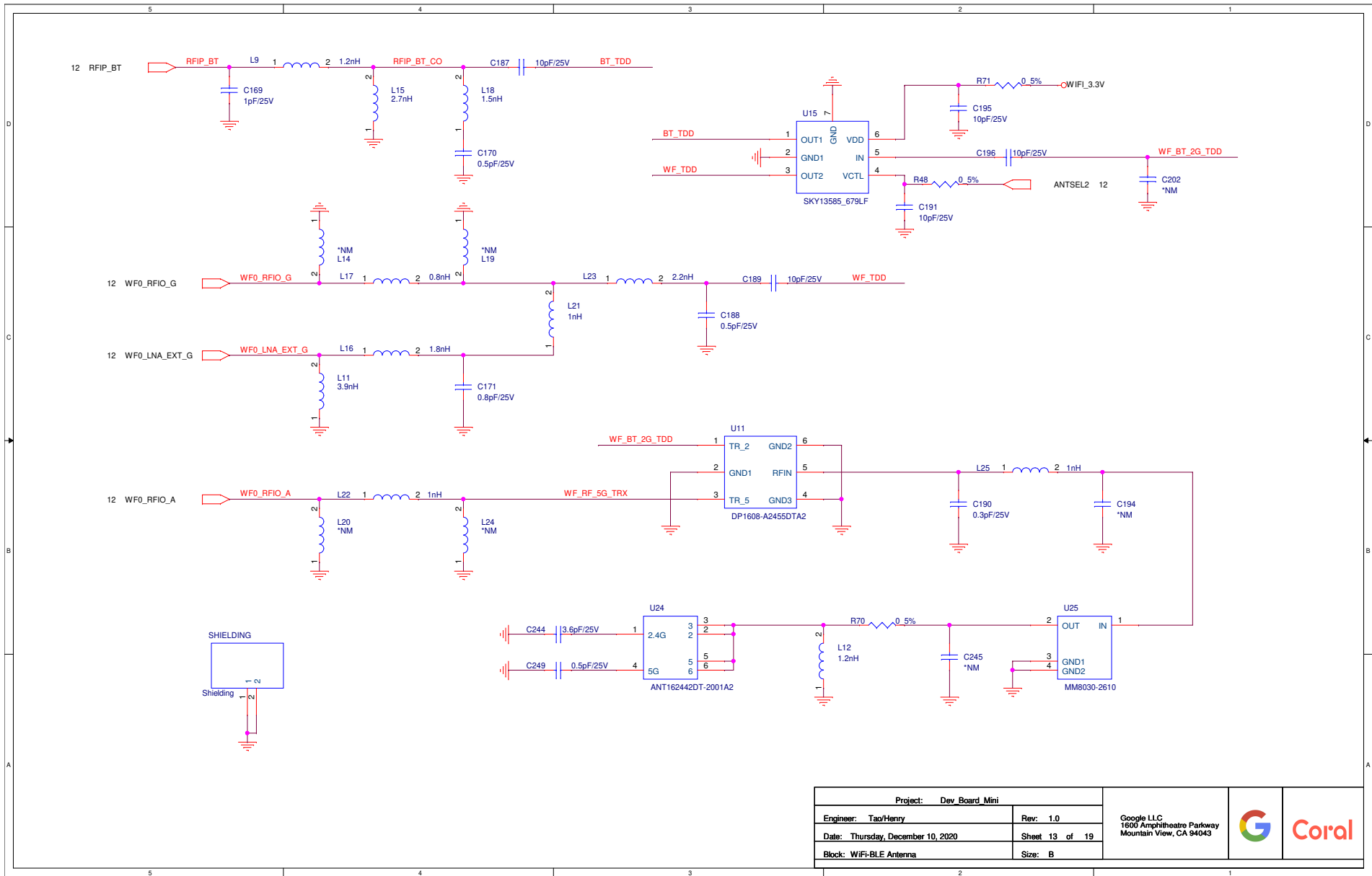
Google LLC  
1600 Amphitheatre Parkway  
Mountain View, CA 94042





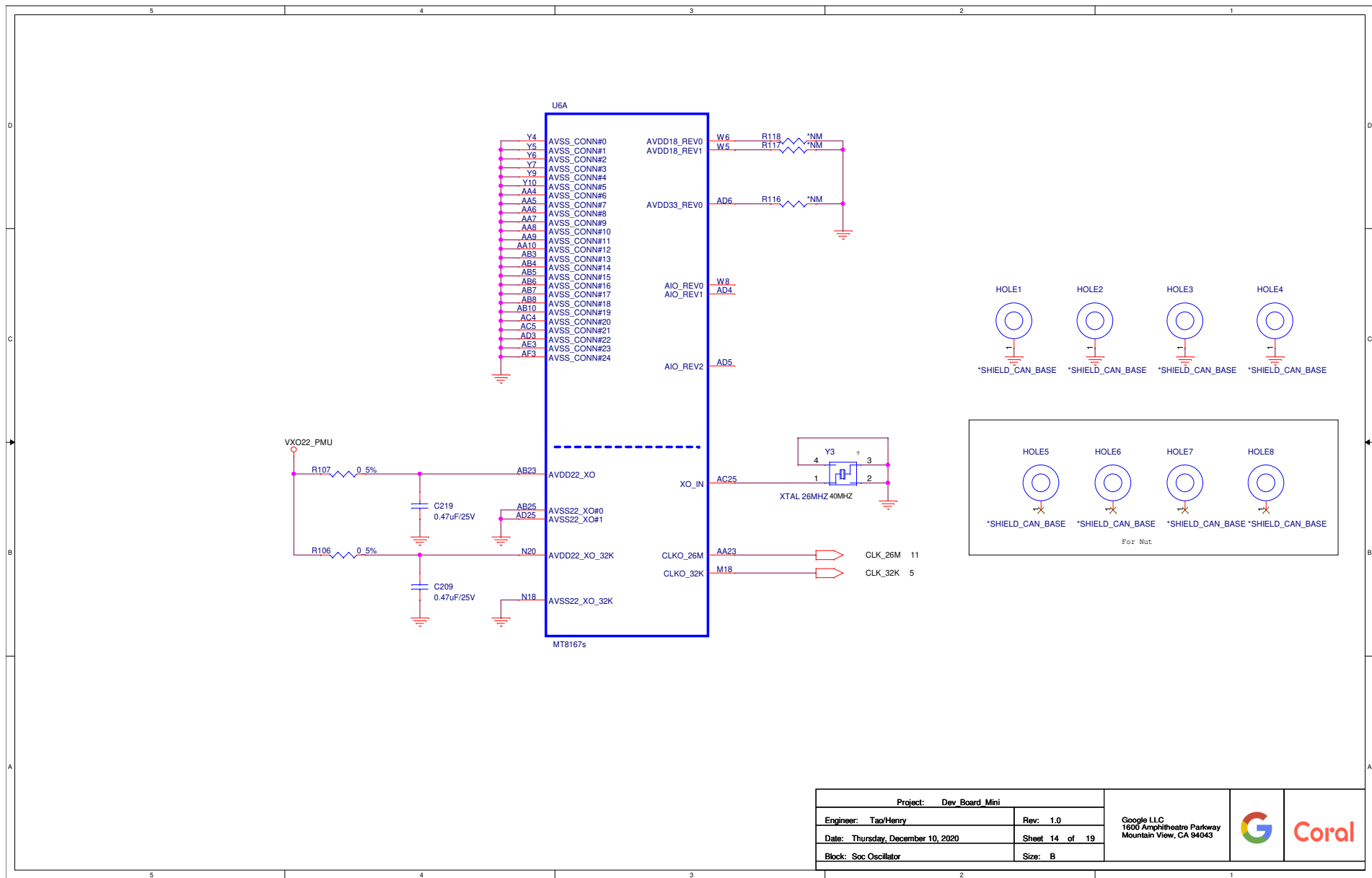
Project: Dev Board Mini		Google LLC 1600 Amphitheatre Parkway Mountain View, CA 94043	 
Engineer: Tao/Henry	Rev: 1.0		
Date: Thursday, December 10, 2020	Sheet 10 of 19		
Block: DSI & Crypto	Size: B		





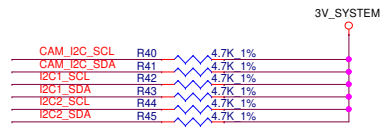
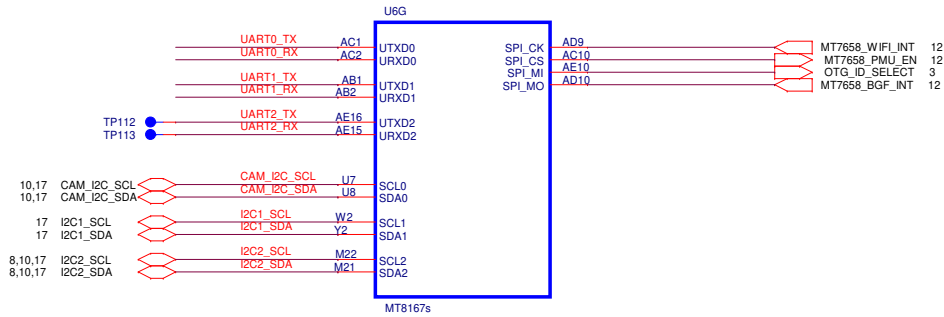
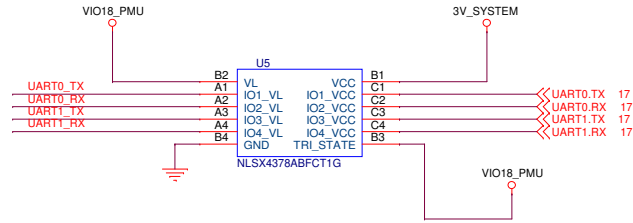






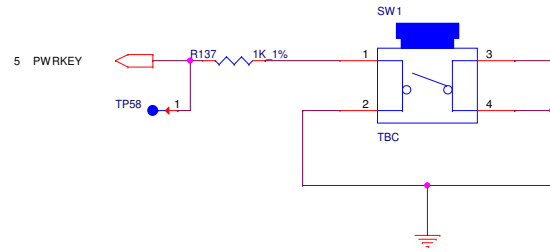
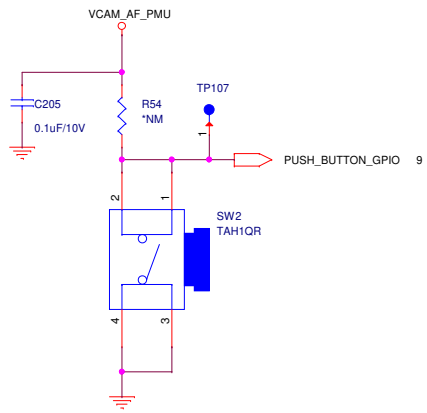
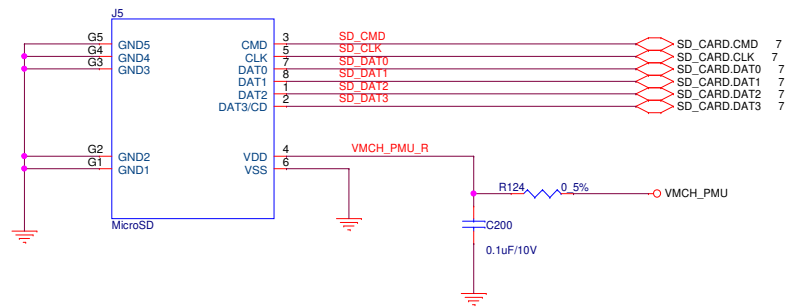
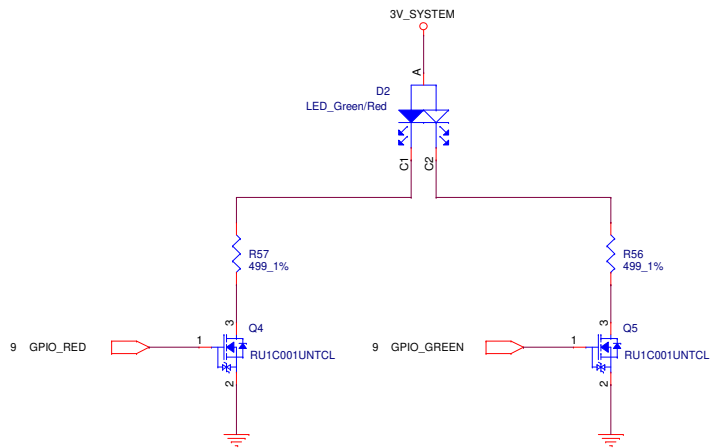
Project: Dev Board Mini		Google LLC 1600 Amphitheatre Parkway Mountain View, CA 94043		 
Engineer: Tao/Henry	Rev: 1.0	Sheet 13 of 19		
Date: Thursday, December 10, 2020	Size: B			
Block: WiFi-BLE Antenna				





Project: Dev Board Mini		Google LLC 1600 Amphitheatre Parkway Mountain View, CA 94043	 
Engineer: Tao/Henry	Rev: 1.0		
Date: Thursday, December 10, 2020	Sheet 14 of 19		
Block: Soc Oscillator	Size: B		

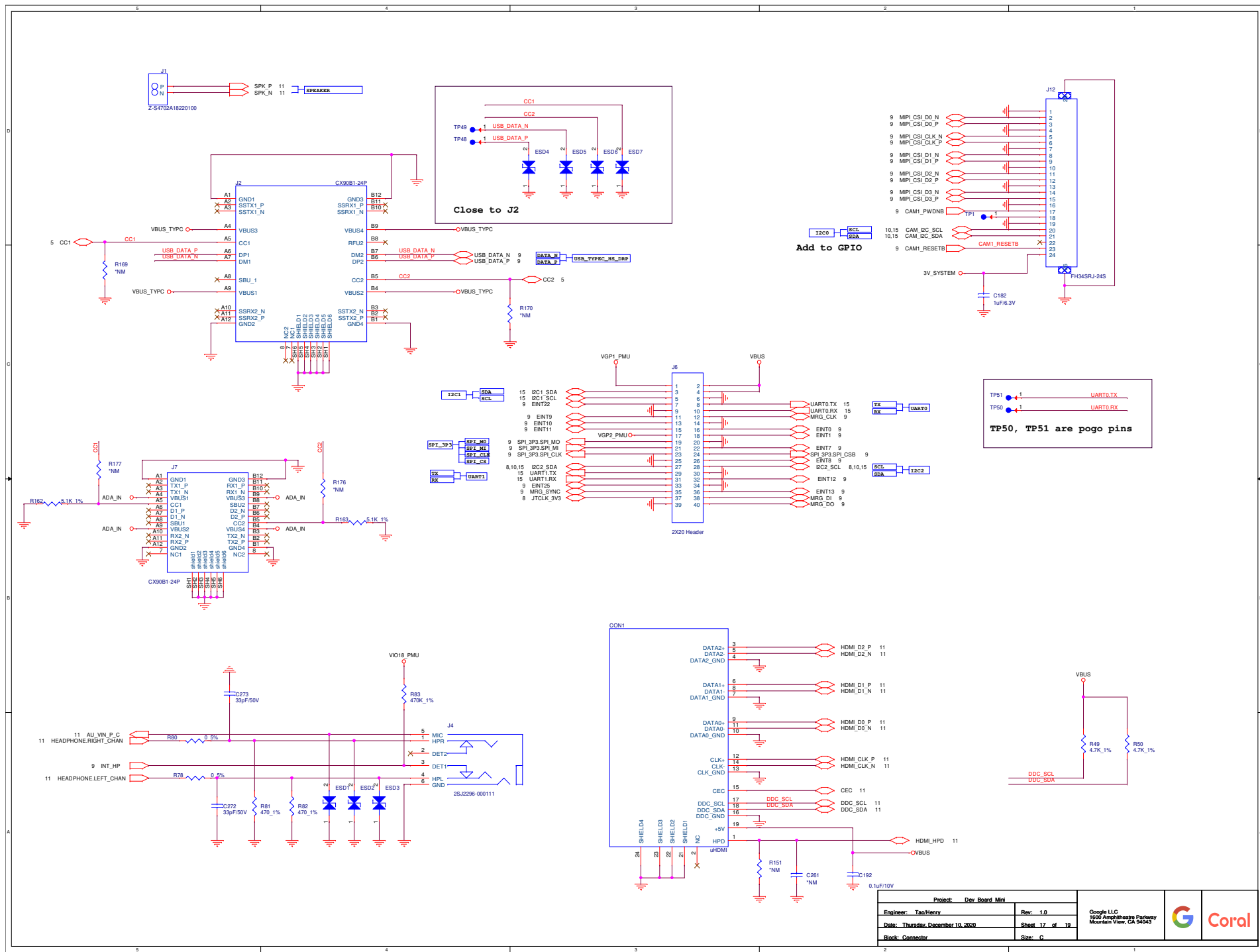


Project: Dev Board Mini		Google LLC 1600 Amphitheatre Parkway Mountain View, CA 94043	 
Engineer: Tao/Henry	Rev: 1.0		
Date: Thursday, December 10, 2020	Sheet 15 of 19		
Block: Serial Port	Size: B		



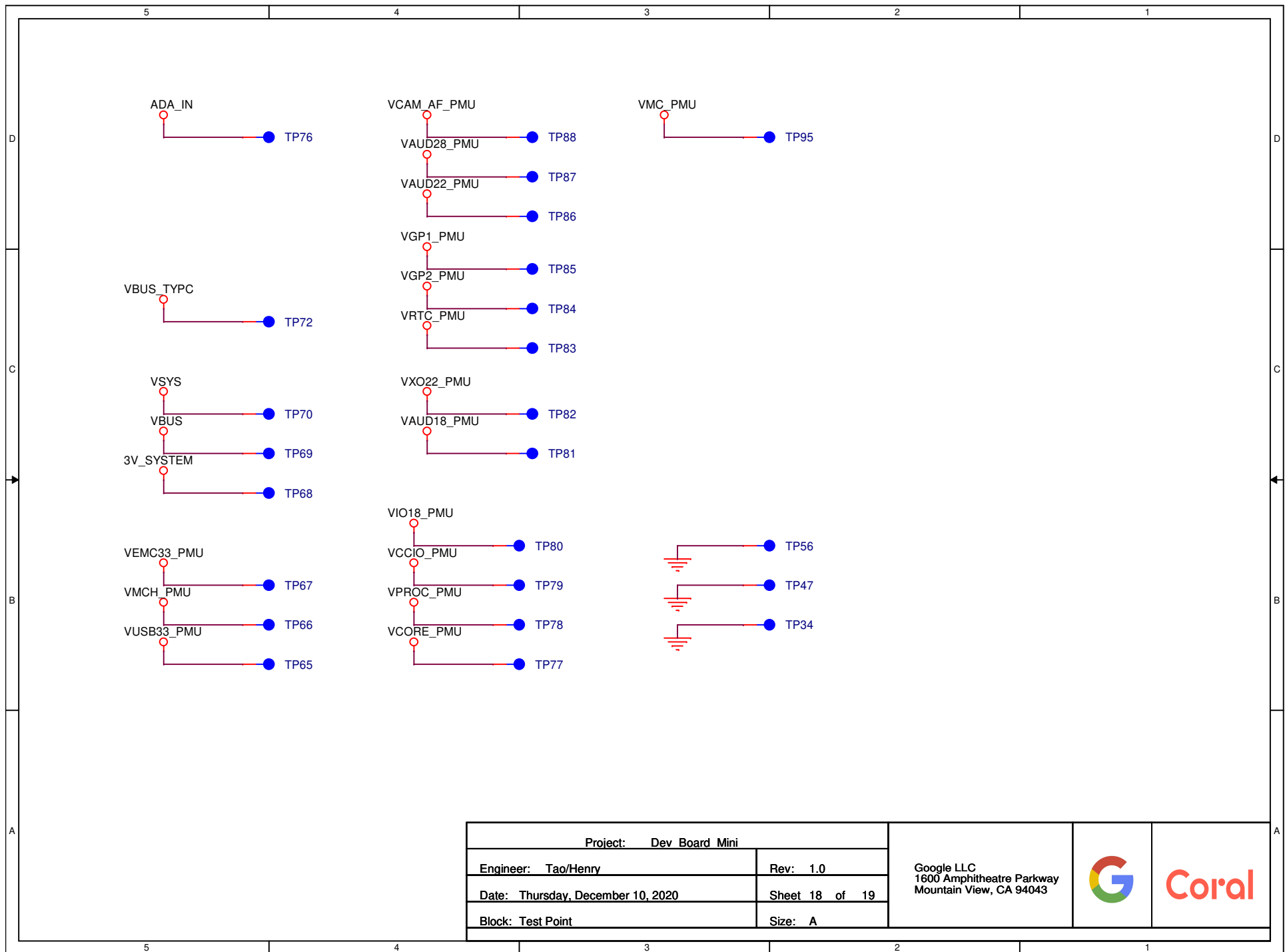
Project: Dev Board Mini		Google LLC 1600 Amphitheatre Parkway Mountain View, CA 94043	 
Engineer: Tao/Henry	Rev: 1.0		
Date: Thursday, December 10, 2020	Sheet 16 of 19		
Block: uSD & Button	Size: B		





Project:	Dev Board Mes
Engineer:	TaoHenry
Date:	Thursday, December 10, 2020
Block Connector:	
Rev:	1.0
Sheet:	17 of 18
Size:	C

Google LLC  
 1600 Amphitheatre Parkway  
 Mountain View, CA 94042





Project: Dev Board Mini	
Engineer: Tao/Henry	Rev: 1.0
Date: Thursday, December 10, 2020	Sheet 18 of 19
Block: Test Point	Size: A

Google LLC  
 1600 Amphitheatre Parkway  
 Mountain View, CA 94043



Version	Date	Author	Change list
1.0	12/10/2020	Tao Zhang	Initial release.

Project: Dev Board Mes		Google LLC 1600 Amphitheatre Parkway Mountain View, CA 94043	 
Engineer: TaoHenry	Rev: 1.0		
Date: Thursday, December 10, 2020	Sheet 19 of 19		
Block: History	Size: C		