

## Key Features

- Rockchip RK3568 Quad-core ARM Cortex-A55 CPU
- Mali-G52 1-Core-2EE
- 2G LPDDR4 SDRAM (option 4G)
- Mini PCIE interface and M.2 key-e interface
- support 1 SATA interface
- MicroSD slot supports up to 256GB expansion
- 16G eMMC flash (option 16/32/64G)
- 2 MIPI display interface support
- 1 CSI camera interface
- 5 port 10/100/1000 Mb Ethernet port
- (2) USB 3.0 and (1) USB 2.0 otg port

## Rockchip RK3568

RK3568 has built-in MICRO-research NPU of Rockchip, 0.8Tops computing power and integrated high performance AI accelerator RKNN NPU. Rockchip also provides developers with an easy-to-use model transformation tool, RKNN-Toolkit, which supports one-click transformation of Caffe/TensorFlow/TF-Lite/ONNX/PyTorch/Keras/Darknet mainstream architecture models.

RK3568 has rich interface expansion capabilities. Supports a variety of peripheral high-speed interfaces, supporting four USB2.0 ports, 4xUSB2.0 HOST+ 1xUSB3.0 HOST+ 1xusB3.0 OTG. Support gigabit Ethernet \*2, multi-camera support, support MIPI CSI 4Lanes, can be divided into 2x2Lanes two groups of independent use support 16bit DVP interface, support BT1120 input, support VC mode. RK3568 has a complete display interface, support HDMI 2.0 output support dual channel MIPI DSI, dual channel LVDS, can drive 2.5K LCD screen, can directly drive ink screen, support eDp. RK3568 has plenty of peripherals, supporting 10x UART, 6x I2C, 16x PWM, 4x SPI, 8xSARADC and MINI PCIE.

Rockchip RK3568 chip is a general PURPOSE SoC designed for consumer industry applications. The CPU uses 4-core A55 architecture processor, integrated G52 GRAPHICS processor, built-in independent NPU, and runs Android 11 and Linux. RK3568 is mainly customized for tablet PC, speaker with screen, Android pen, dictionary pen and other consumer products, as well as face payment POS machine, e-book, cloud terminal, video phone, NAS storage and other industry

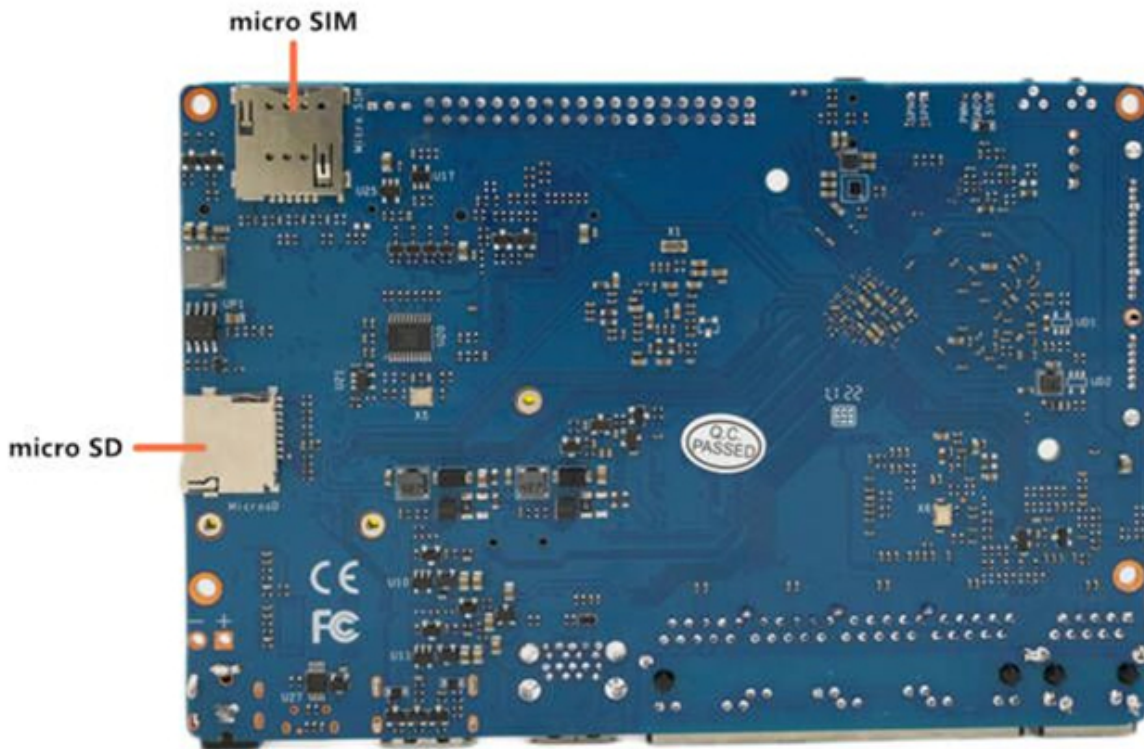
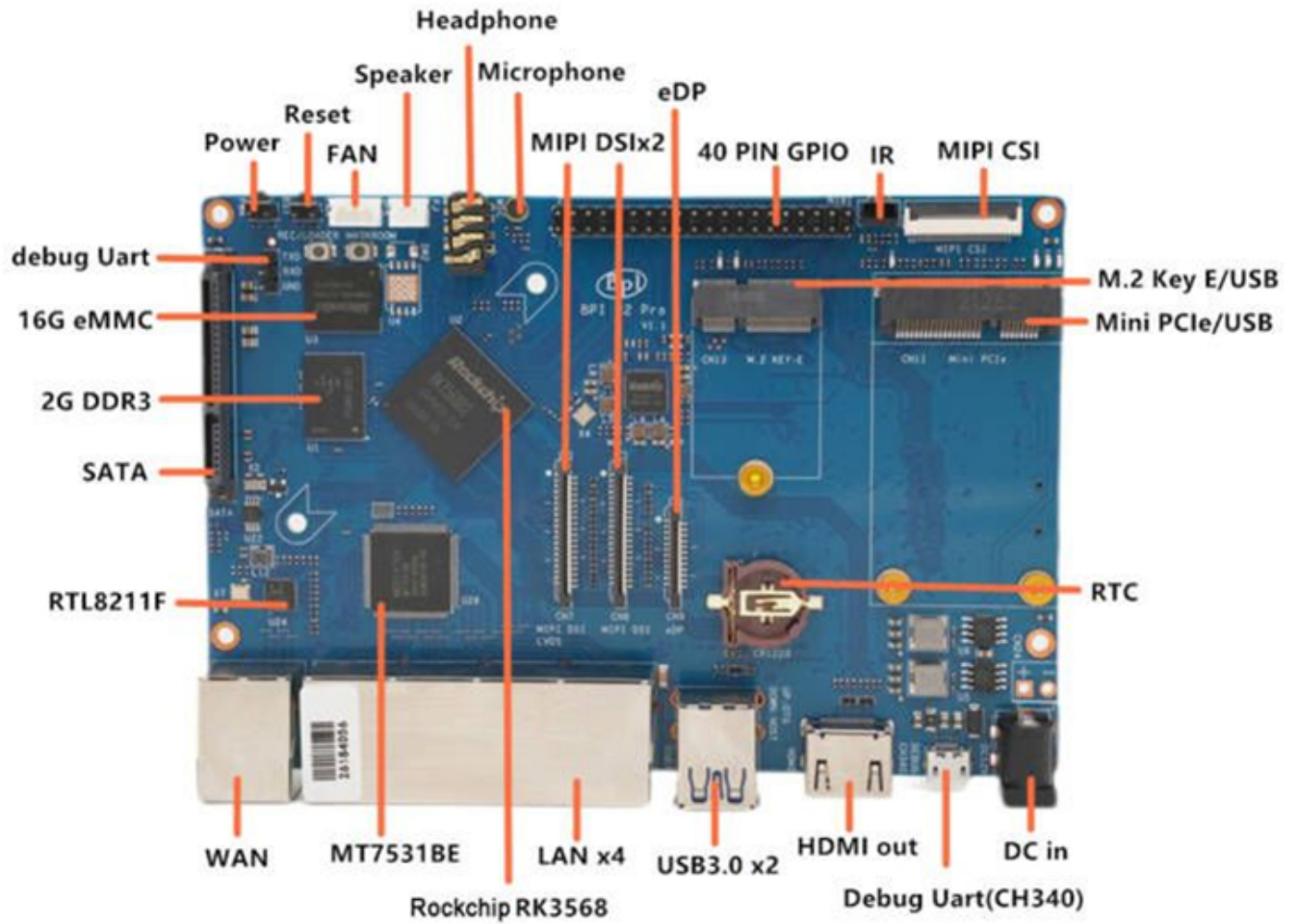
products

## **Get Starting**

Getting Started with R2PRO

## **Hardware**

### **Hardware interface**



## Hardware spec

	Banana Pi R2 Pro
<b>CPU</b>	Rockchip RK3568 Quad-core ARM Cortex-A55 CPU 2GHz
<b>GPU</b>	Mali-G52 1-Core-2EE OpenGL ES3.2 Vulkan 1.1 OpenCL 2.0
<b>Memory</b>	2G DDR3 SDRAM (option 4G)
<b>Storage</b>	Onboard 16GB eMMC Flash, Micro SD-Card slot, SATA 3.0 Port,SPI flash
<b>Network</b>	5 x 10/100/1000 Mbit/s Ethernet
<b>Display(s)</b>	1 HDMI port, 2 DSI interface(1 DSI can change to LVDS by software)
<b>Camera</b>	1 CSI camera interfact
<b>Video decoder(s)</b>	H.265 HEVC/MVC Main10 Profile yuv420@L5.1 up to 4096x2304@60fps,H.264 AVC/MVC Main10 Profile yuv400/yuv420/yuv422/@L5.1 up to 4096x2304@60fps
<b>Video encoder(s)</b>	H.264/AVC BP/MP/HP@level4.2, up to 1920x1080@100fps, H.265/HEVC MP@level4.1, up to 1920x1080@100fps (4096x4096@10fps with TILE)
<b>Audio Output(s)</b>	HDMI & I2S & Speaker & Headphone
<b>USB port</b>	USB 3.0 PORT (x2), micro USB OTG (x1)
<b>mini PCIE</b>	1 mini pcie interface & 1 M.2 key-e interface
<b>Remote</b>	IR Receiver (x1)
<b>GPIO</b>	40 Pin Header : GPIO (x28) and Power (+5V, +3.3V and GND). Some of I/O Pin can be used for specific functions as UART, I2C, SPI or PWM
<b>Switches</b>	Reset button, Power button, U-boot button
<b>LED</b>	Power Status and 8P8C
<b>Power Source</b>	12 volt @2A via DC Power and/or Micro USB (OTG)
<b>Size &amp; Weight</b>	148 mm × 100.5mm 100g
<b>OS</b>	OpenWRT, Linux and others OS

## GPIO PIN define

BPI-R2 40 PIN GPIO, Debug Uart PIN,MIPI camera ,MIPI LCD0, MIPI LCD1,eDP LCD PIN define.

BPI-R2 Pro all GPIO PIN define

Running on android11 system, connecting with 2x dsi panel + 1x eDP panel:<https://www.youtube.com/watch?v=HpDAmNVDwXI>

## Resources

### Source Code

- linux-4.19.xx kernel BSP Source code on github : <https://github.com/BPI-SINOVOIP/BPI-R2PRO-BSP/>
- linux-5.10.66 kernel BSP Source code on github : <https://github.com/BPI-SINOVOIP/BPI-R2PRO-BSP-5.10.x/>
- BPI-R2 PRO Android11 Source Code

Baidu Cloud:<https://pan.baidu.com/s/1c2vw-df4hh55VB3gSsM6Uw?pwd=8888> (提取码: 8888)  
 Google Drive:

## Documents

- Because of the Google security update some of the old links will not work if the images you want to use cannot be downloaded from the new link bpi-image Files
- All banana pi docement(SCH file,DXF file,and doc)
- BPI-R2 Pro schematic diagram : [https://drive.google.com/file/d/1aDOL8U6-4bxn7iB\\_MzCOgHoDhUu0wuQu/view?usp=sharing](https://drive.google.com/file/d/1aDOL8U6-4bxn7iB_MzCOgHoDhUu0wuQu/view?usp=sharing)
- BPI-R2 Pro DXF file : [https://drive.google.com/file/d/1N9AWJVHC4fZEko5\\_RIk3pI0gK1I0XiV/view?usp=sharing](https://drive.google.com/file/d/1N9AWJVHC4fZEko5_RIk3pI0gK1I0XiV/view?usp=sharing)
- MT7531 switch chip datasheet: <https://drive.google.com/file/d/1aVdQz3rbKWjkdga8-LQ-VFXjmHR8yf9/view?usp=sharing>
- RTL8367RB-VB-CG Switch chip datasheet:<https://drive.google.com/file/d/1Rua-SRJLPoV0NLnvwJg-fopsD178KIIts/view?usp=sharing>
- BPI-R2 Pro CE,FCC,RoHS certificate : <https://banana-pi.org/en/bpi-honor/>
- Install google play on Bananapi BPI-R2 pro Android 11/12:<https://www.youtube.com/watch?v=pMKBVcJhsx4>

## Release image

Note: the network disk include linux-4.19.xx and linux-5.10.66 kernel version, linux-5.10.66 kernel version can support DSA feature.

- All image for BPI-R2 Pro google : [https://drive.google.com/drive/folders/1gHNGVL\\_uq8L4t987k-nzg6MKWDSmDcfC](https://drive.google.com/drive/folders/1gHNGVL_uq8L4t987k-nzg6MKWDSmDcfC)
- All image for BPI-R2 Pro : Baidu : <https://pan.baidu.com/s/1u5bIp0fMJPre-j0bXGfDWA?pwd=i8q6> Pincode: i8q6

## kernel linux-5.10.66 Release image, support DSA feature

Supported OS Note: OpenWRT, Debian10, Ubuntu 16.04. Ubuntu 20.04, Ubunutu 22.04, Ubunut OS support server version, desktop version, mate desktop version.

- kernel linux-5.10.66 image for BPI-R2 Pro : Baidu : <https://pan.baidu.com/s/19B6AYrHfbIFgRytTpW8Mbg?pwd=6me6> Pincode: 6me6

## AltLinux for Banana Pi BPI R2 pro

- kernel 5.18.9 : <https://forum.banana-pi.org/t/altlinux-for-bpi-r2-pro-rk3568/13363>

## Armbian and LibreELEC for BPI-R2-pro

- <https://forum.banana-pi.org/t/armbian-and-libreelec-for-bpi-r2-pro-rk3568/13308>

## kernel linux-4.19.xx Release image

### ubuntu 21.04

- ubuntu 21.04 linux kernel 4.19 image 2022-5-16 update, HDMI ,eDP and SDIO interface RTL8822CS WIFI module working fine

google driver: [https://drive.google.com/drive/folders/1pFayiLS3cS0idCIUlvHzaySaJMb\\_AOrB](https://drive.google.com/drive/folders/1pFayiLS3cS0idCIUlvHzaySaJMb_AOrB)  
 baidu link: [https://pan.baidu.com/s/1zUVDXOmEur3KFpNW\\_va7Wg?pwd=ci4u](https://pan.baidu.com/s/1zUVDXOmEur3KFpNW_va7Wg?pwd=ci4u) Pincode ci4u  
 video and boot log:<https://forum.banana-pi.org/t/banana-pi-bpi-r2-pro-openwrt-ubuntu-debian-linux-image/13158>

## OpenWRT

- OpenWRT-21.02 linux kernel 4.19 image, 2022-5-16 update, HDMI ,eDP and SDIO interface RTL8822CS WIFI module working fine

google driver: <https://drive.google.com/drive/folders/10HzNC0pWhS8j3W7uaFQ5RGO7UK133Xt-baidu>  
 baidu link: [https://pan.baidu.com/s/1KUIJUB6nd\\_vKmRXms7NUKg?pwd=i72r](https://pan.baidu.com/s/1KUIJUB6nd_vKmRXms7NUKg?pwd=i72r) Pincode: i72r  
 video and boot log:<https://forum.banana-pi.org/t/banana-pi-bpi-r2-pro-openwrt-ubuntu-debian-linux-image/13158>

## Debian

- Debian 10 linux kernel 4.19 image, 2022-5-16 update ,HDMI ,eDP and SDIO interface RTL8822CS WIFI module working fine

google driver: [https://drive.google.com/drive/folders/1LSJIHtkHC\\_Ua6zVgVI3BRJOVPUB6vWO6](https://drive.google.com/drive/folders/1LSJIHtkHC_Ua6zVgVI3BRJOVPUB6vWO6)  
 baidu link: <https://pan.baidu.com/s/1rkVWlpeY0hIKPrIh3r7Nfw?pwd=n9gi> Pincode: n9gi  
 video and boot log:<https://forum.banana-pi.org/t/banana-pi-bpi-r2-pro-openwrt-ubuntu-debian-linux-image/13158>

## Android

How to flash Android Image

- All Android image can find here:

Google Drive: [https://drive.google.com/drive/folders/1Bs0lhnuKZ4A\\_BmbY-QPiJsFguPXh6imh?usp=share\\_link](https://drive.google.com/drive/folders/1Bs0lhnuKZ4A_BmbY-QPiJsFguPXh6imh?usp=share_link)  
 Baidu Cloud: [https://pan.baidu.com/s/19\\_nZls-1tzAsIB3\\_B-PWrg?pwd=6zw8](https://pan.baidu.com/s/19_nZls-1tzAsIB3_B-PWrg?pwd=6zw8) (pincode: 6zw8)

- 2023-03-17-Android11-atv-bpi-r2pro.img

Google Drive:[https://drive.google.com/drive/folders/1TZMsaeg99bC8WwxEb8zOMTOAA0TurQ\\_E?usp=share\\_link](https://drive.google.com/drive/folders/1TZMsaeg99bC8WwxEb8zOMTOAA0TurQ_E?usp=share_link)  
 Baidu Cloud:[https://pan.baidu.com/s/1\\_Hb0dB\\_4mHhTXiWP6TAzDA?pwd=bdxa](https://pan.baidu.com/s/1_Hb0dB_4mHhTXiWP6TAzDA?pwd=bdxa) (pincode: bdxa)

- 2023-03-17-Android11-bpi-r2pro.img

Google Drive:[https://drive.google.com/drive/folders/108SbohEB8OsWYaxvFeYhGDzxHaUJ1OcW?usp=share\\_link](https://drive.google.com/drive/folders/108SbohEB8OsWYaxvFeYhGDzxHaUJ1OcW?usp=share_link)  
 Baidu Cloud: <https://pan.baidu.com/s/1FKdN2b3qA2Cc4syO15zbng?pwd=rnxd> (pincode: rnxd)

- 2022-11-16 release, Android12-bpi-r2pro.img

Google Drive: [https://drive.google.com/file/d/1UZ-e6QJIB8ZU-rdGsCnDNaNR2pYHHvxA/view?usp=share\\_link](https://drive.google.com/file/d/1UZ-e6QJIB8ZU-rdGsCnDNaNR2pYHHvxA/view?usp=share_link)  
 Baidu Cloud: <https://pan.baidu.com/s/1tQ5Fg47R0fpUajYpNIsJ3g?pwd=8888> (pincode: 8888)  
 MD5:a7b5faf7818f1ab2d36253a5d3ca1d18  
 Forum pthread:<https://forum.banana-pi.org/t/bananapi-bpi-r2-pro-2022-11-16-android-12/14264>

- 2022-06-10 release, Android 11 with kernel 4.19.219, tablet variant image

Google Drive: [https://drive.google.com/file/d/1qiLZKU8\\_2O0hHgP25F0CRxv9MnSJXpv/view?usp=sharing](https://drive.google.com/file/d/1qiLZKU8_2O0hHgP25F0CRxv9MnSJXpv/view?usp=sharing)

Baidu Cloud: <https://pan.baidu.com/s/1EUiGaXuPxAkR69g7EOnVaw?pwd=4n6c> (pincode: 4n6c)

MD5: ebd336bad0c27c66ae65a4d38103bcd

- 2022-06-10 release, Android 11 with kernel 4.19.219, atv variant image

Google Drive: <https://drive.google.com/file/d/104K7W1PX4OFvUtqNGHOnx6RZO49BrTZp/view?usp=sharing>

Baidu Cloud: [https://pan.baidu.com/s/1RbNf1dFqMxy1Dx\\_ysym82w?pwd=v4u8](https://pan.baidu.com/s/1RbNf1dFqMxy1Dx_ysym82w?pwd=v4u8) (pincode: v4u8)

MD5: 49506a8a3183ab189046b5e2e2833b87