

# CONNEX High-Definition Wireless

## CONNEX Link: The Smallest Zero Latency 1080p Wireless Video Solution

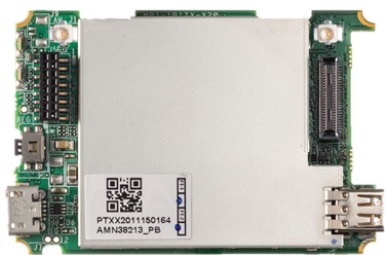
Creative Solution is offering the CONNEX Link, an embedded wireless transmitter and wireless receiver modules for OEM partners, who wish to create wireless video links, enabling supreme video quality at zero latency.

The CONNEX Link HW platform supports HDMI micro input on the transmitter side, and full size (Type-A) HDMI output on the receiver side. Creative Solutions products are already being used in OR today, including all relevant certifications.

### KEY CAPABILITIES

- Below 1mS latency and wire grade picture quality for video resolutions up to 1080p60 fps.
- Automatic real-time frequency selection for the best RF channel available, utilizing the full span of the 5GHz band.
- Coverage for entire OR, including non-line-of-sight conditions.
- Multicast capabilities of up to four receivers simultaneously, with no added delay or degradation in video quality.

	VIDEO INPUT	CONTROL	POWER
<b>TRANSMITTER INTERFACES</b>	Micro-HDMI	USB UART (via 50-pin connector or balcony module)	5V Input (50-pin) or 8-26V (balcony module)
<b>RECEIVER INTERFACES</b>	Type-A HDMI	USB UART (via OEM connector)	5V



## SPECIFICATIONS

All standard HD video resolutions up to Full HD 1920 x 1080 x 60fps

<1ms of latency

MIMO configurations: 2x TX antennas & 3 or 5x RX antennas

Antennas: SMA and UFL

Supported RF bandwidth: 40MHz or 20MHz

AFS (Automatic Frequency Selection): Ensures best channel selection, pre-link and in-link.

DFS (Dynamic Frequency Selection): Operates on the entire unlicensed 5GHz spectrum (5.15-5.85 GHz)

Encryption: Video and Audio are AES-128 protected

### CONNEX LINK TRANSMITTER

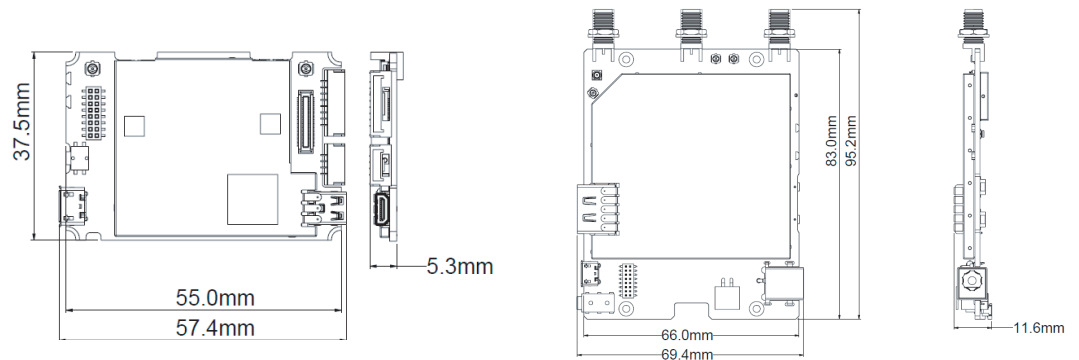
### CONNEX LINK RECEIVER

#### PART NUMBER

UM-EM30H B2 Tx  
(100m, 2xUFL, w/balcony)

UM-EM30H B2 Rx  
(100m, 3xSMA + 2xUFL)

#### Size



Video Formats 1080p/60, 1080p/50, 1080i/60, 1080i/50, 1080p/30, 1080p/24, 720p/60, 720p/50

Power consumption 5W 4.5W

Radio Frequency 5.1-5.8 GHz, 20MHz or 40MHz

Regulation Supports FCC, CE, MIC, China and other regions

Range Up to 30m Line Of Sight

Multicast Transmitter can be paired to up to 4 Receivers

Power 6 - 34V 4.75 - 5.25V

Environment Operation: 0:40°C, 10%~90% humidity Storage: 0:55° C, 10%~90% humidity