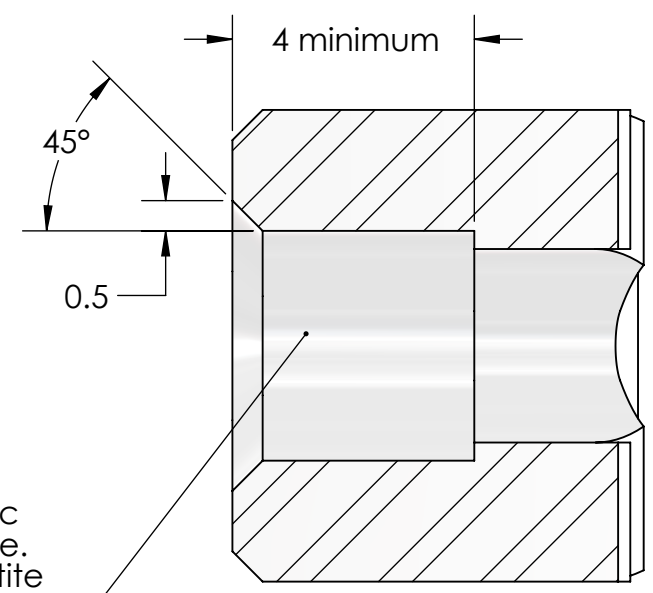
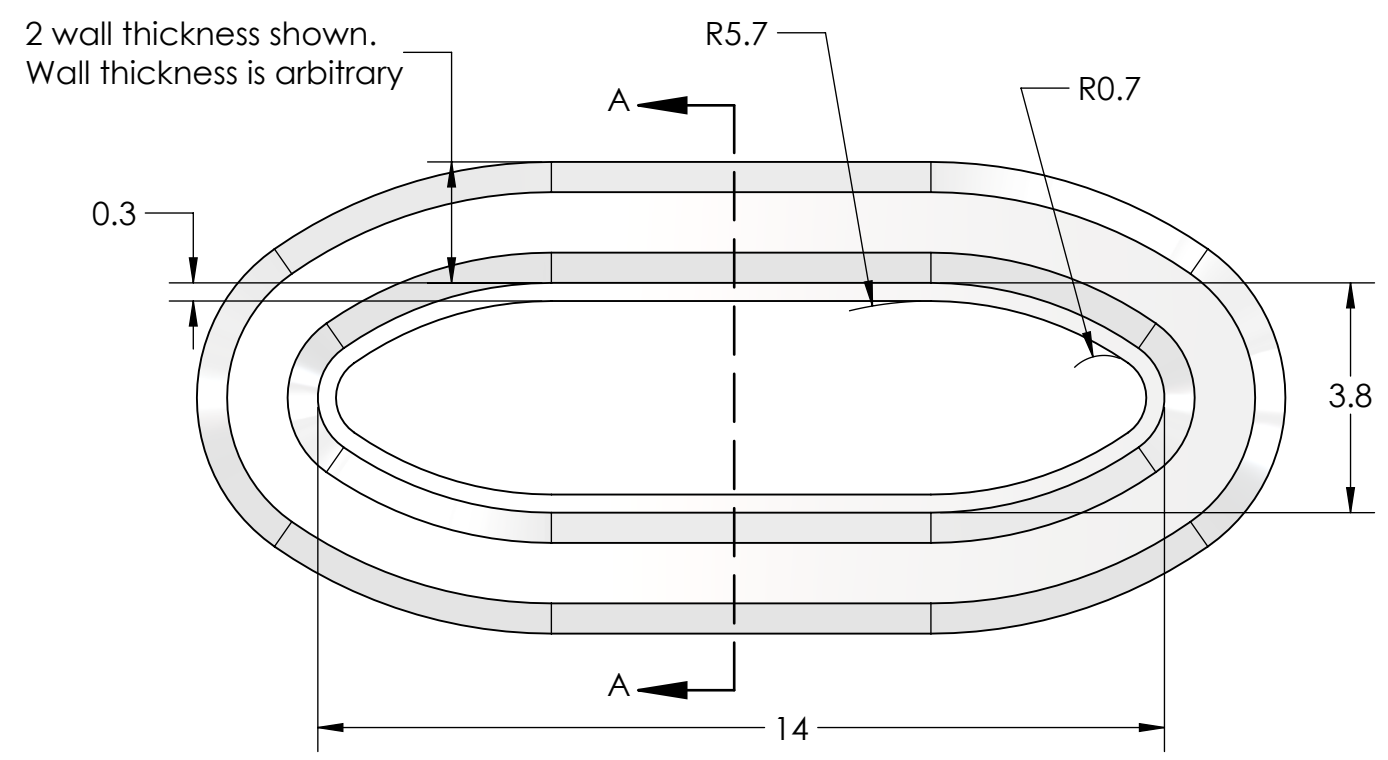
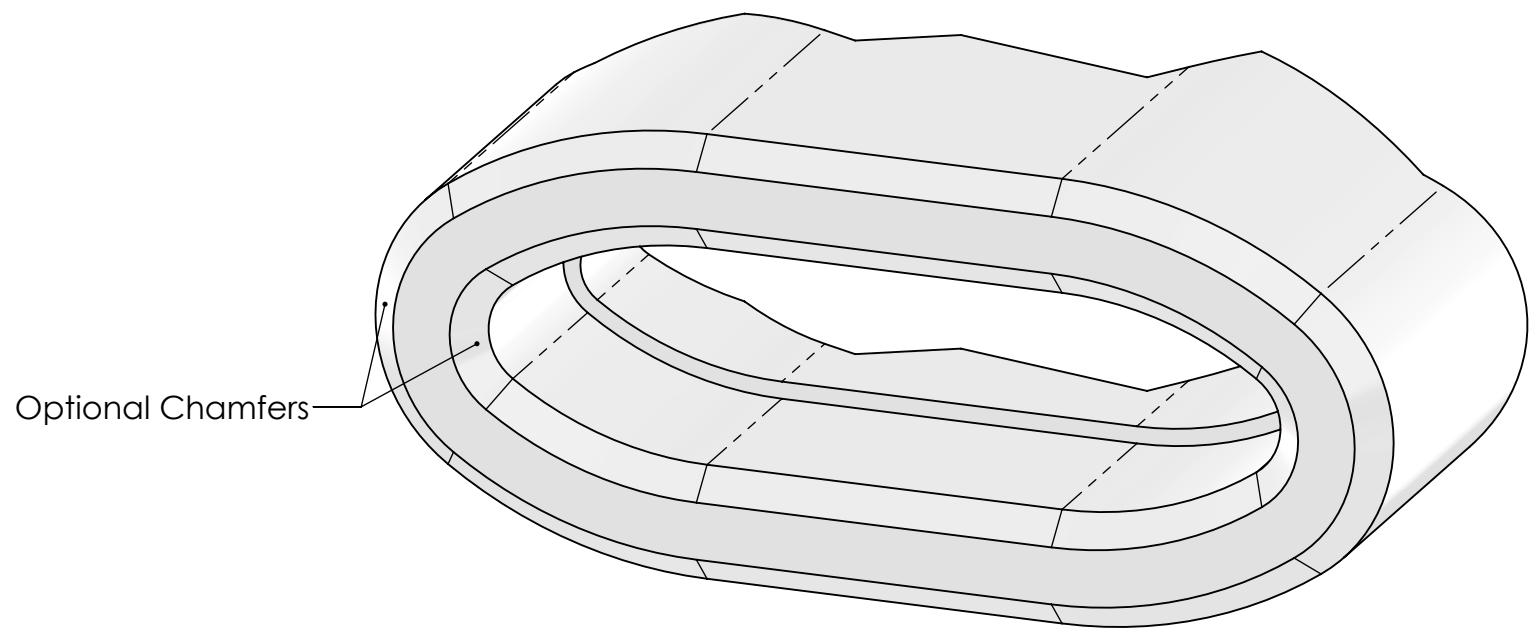
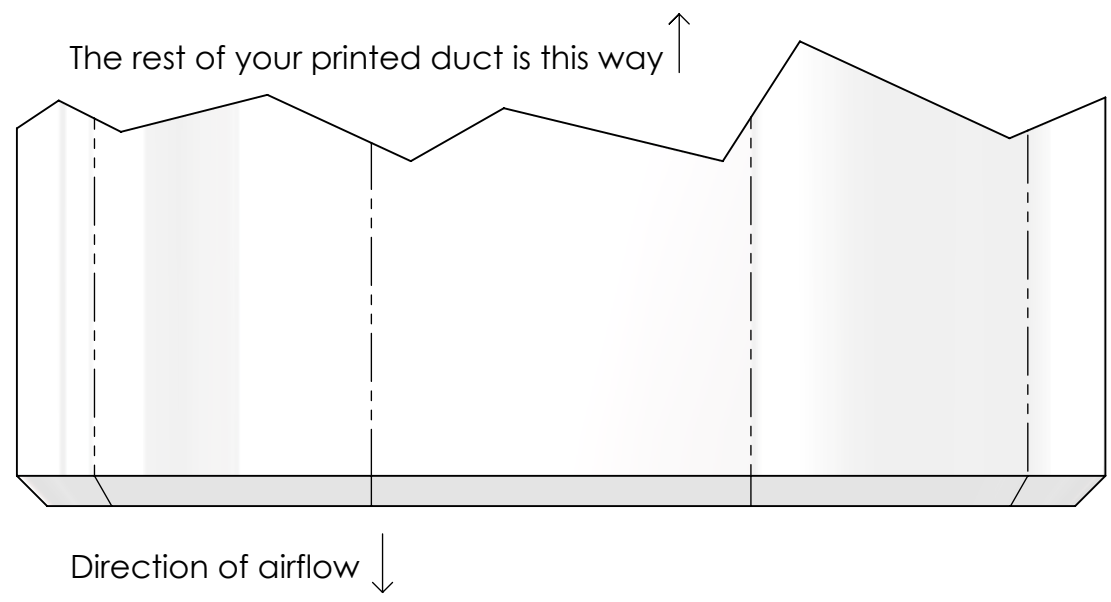
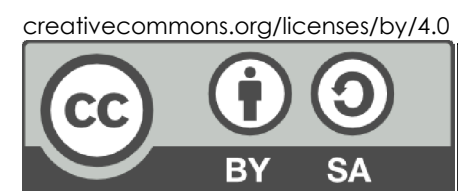


REVISION HISTORY		
REV	DCN	DATE
00		2019-12-10



Bond a BLOWER TIP to your printed plastic receptacle with an appropriate adhesive. For plastics with low surface energy, Loctite 7701 primer and 406 adhesive works well

- The BLOWER TIP is:
- designed to slip into the receptacle depicted here
 - made of stainless steel tubing with 0.25 wall thickness
 - 15mm long
 - sold in pairs



MATERIAL	ANY PRINTED PLASTIC		DESCRIPTION	RECEPTACLE FOR BLOWER TIP	
FINISH	N/A		ITEM NUMBER	N/A	REV 00
COPYRIGHT © 2019 SLICE ENGINEERING LLC THIS DRAWING IS PROTECTED BY UNITED STATES AND INTERNATIONAL COPYRIGHT LAWS			CREATED BY	C.M. MONTGOMERY	SHEET 1/1