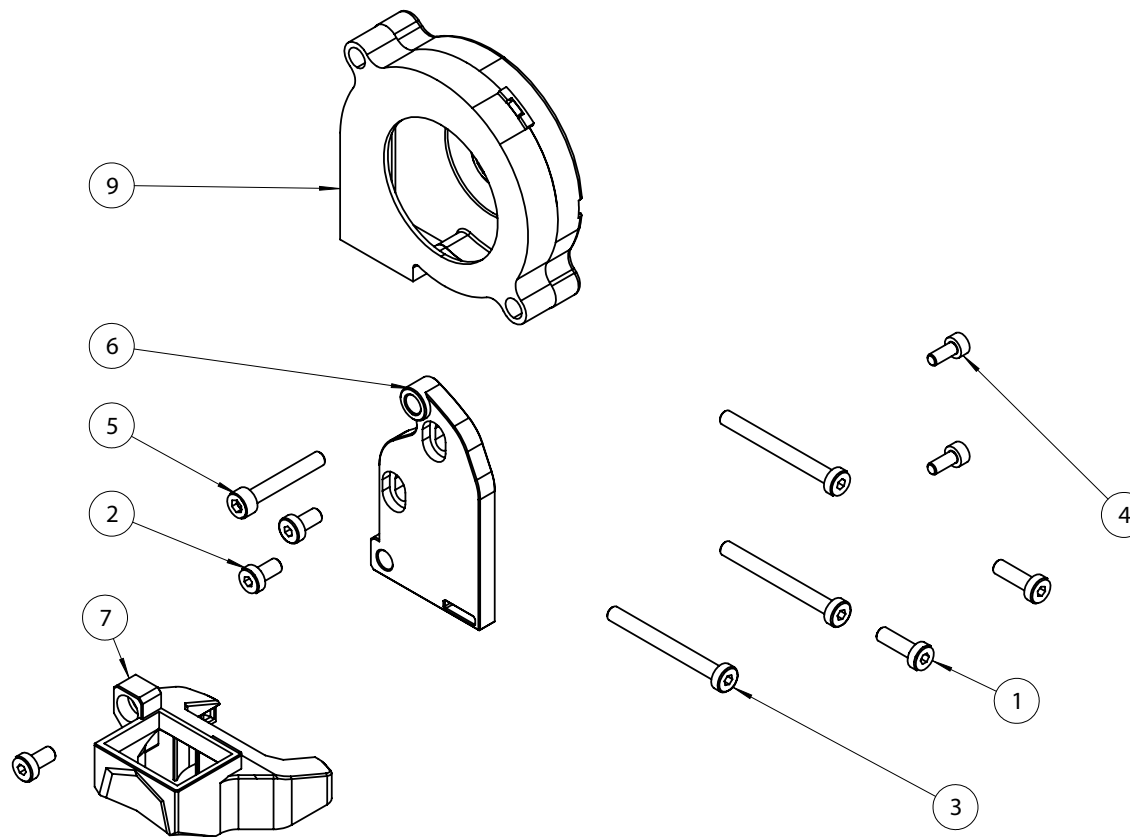


#accessories set ACC01NYC41032 SKU



NAME LGX ACE Accessories for Kobra
 TYPE Accessories Set
 SKU ACC01NYC41032

Item Ref.	Qty.	Description	Article Number
1	2	Low Head Cap Screw Black Oxide M3x10	M3X10L
2	3	Low Head Cap Screw Black Oxide M3x6	MX3X6L
3	3	Low Head Cap Screw Black Oxide M3x30	M3X30L
4	2	Socket Head Screw M2,5x6	M3X2,5OBEH
5	1	Socket Head Screw M3x20	M3X20OBEH
6	1	LGX For Anycubic Fan Mount	10102-01
7	1	LGX Mosquito Fan Shroud for Anycubic Kobra	10102-02
9	1	BFB0524HH-F00	

Specifications

Filament Diameter	1.75mm
Compatible Printer	Anycubic Kobra
Compatible Hotend	LGX ACE Copperhead, LGX ACE Mosquito
Includes	LGX for Anycubic Fan Mount, LGX Mosquito Fan Shroud for Anycubic Kobra, BFB0524HH-F00 5015 Fan
Weight	28g