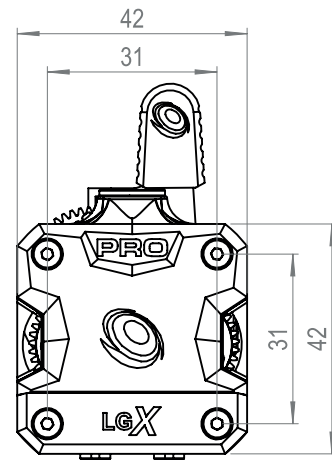
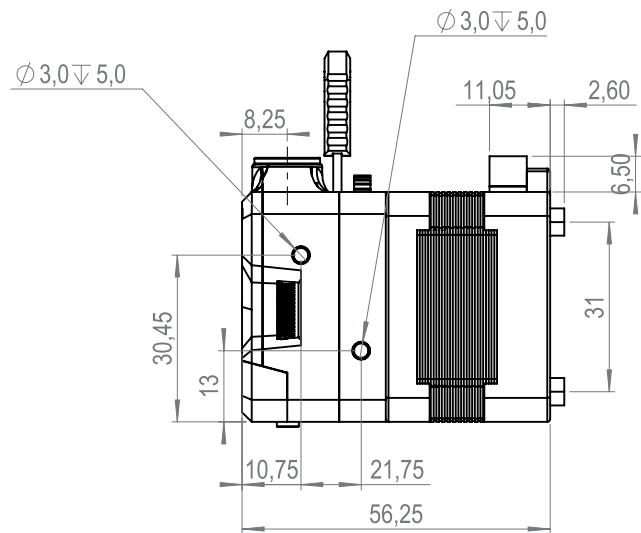
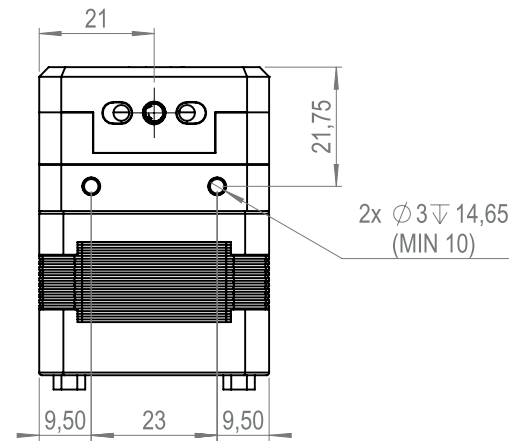


#extruder

EXT-LGX-2.85
SKU



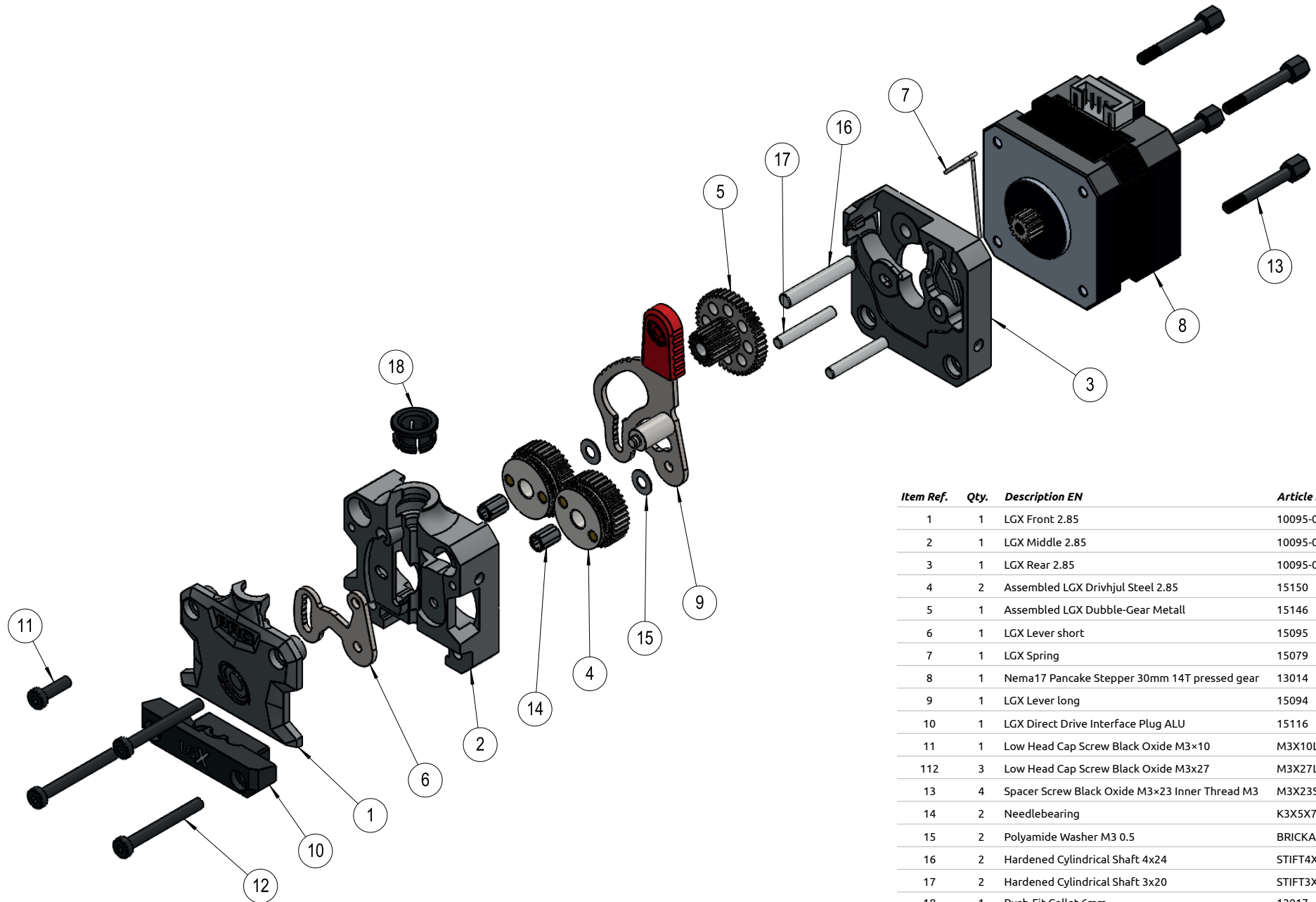
NAME LGX PRO 2.85 - Large Gears eXtruder
TYPE Extruder
SKU EXT-LGX-2.85

EXTRUDER SPECIFICATIONS #01/02

Specifications		Comments	Specifications		Comments
ESTEP	435 @ 16-bit micro stepping		Push Force	7-10kg	
Drive Wheels	Hardened Steel	Nitrocarburized SS1914, Surface coating xxaxx	Tension	Adjustable with 5 fixed positions	1-2 Rigid Materials. 2-3 Semi-flexible. 3-5 Flexible/Soft
Top Fitting Tube OD	6.35mm		MAX Peak Current 1.5A	Recommended current 700-1000mA	
Materials Compatibility	Abrasive, rigid, semi-flexible, flexible and soft		Stepper Motor	30mm Nema 17 1.8 degree	
Mounting	Bottom anterior 2 points. Left 2 points. Right 2 points. Front 4 points. Back 4 points	See drawing above for more details about mounting points location and thread depth	Motor Connector	S6B-PH-K-S	To use with cable connector of type PHR-6 or equivalent
Max Tightening Torque	0.3Nm		Filament Diameter	2.85	
Housing	PA 12 GF	SLS printed housings with glass filled Nylon (PA12 GF)	Lubrications	Berutox FB22	Visual inspection every 100 print hours. Clean and apply new lubrication on the gears
Working Temperature	Up to 100°C	Motor selfheating ~80°C @ 1000mA + Chamber temp must not exceed 180°C	CE Certified	Yes	
Weight	295g	Net weight	RoHS	Yes	
Motor Insulation Class	Class-H	Up to 180°C	REACH	Yes	

#extruder

EXT-LGX-2.85
SKU



Item Ref.	Qty.	Description EN	Article Number
1	1	LGX Front 2.85	10095-01
2	1	LGX Middle 2.85	10095-02
3	1	LGX Rear 2.85	10095-03
4	2	Assembled LGX Drivhjul Steel 2.85	15150
5	1	Assembled LGX Dubble-Gear Metall	15146
6	1	LGX Lever short	15095
7	1	LGX Spring	15079
8	1	Nema17 Pancake Stepper 30mm 14T pressed gear	13014
9	1	LGX Lever long	15094
10	1	LGX Direct Drive Interface Plug ALU	15116
11	1	Low Head Cap Screw Black Oxide M3x10	M3X10L
112	3	Low Head Cap Screw Black Oxide M3x27	M3X27L
13	4	Spacer Screw Black Oxide M3x23 Inner Thread M3	M3X23STUD50BEH
14	2	Needlebearing	K3X5X7
15	2	Polyamide Washer M3 0.5	BRICKAM3PLAST
16	2	Hardened Cylindrical Shaft 4x24	STIFT4X24M6
17	2	Hardened Cylindrical Shaft 3x20	STIFT3X20M6
18	1	Push-Fit Collet 6mm	12017

EXTRUDER EXPLODED VIEW #02/02