



www.petlibro.com



Model: PLCT003

# USER MANUAL

## Infinity Cat Tree 2

### INFINITY

Cat Tree 2

**Model:** PLCT003

@Libro Corp. All Rights Reserved.

**Distributor:** Shenzhen Libro Technology Co., Ltd.

**Address:** 12/F, Tower B, GALAXY WORLD, Yabao Road,  
Longgang District, Shenzhen, China

**Manufacturer:** Guangxi Gaofeng WuzhouWood-Based  
Panel Co., Ltd

**Address:** Liutang, Wutang Town, Xingning District,  
Nanning, Guangxi, China

Certificate No. BJ/EPA/2020/06/1001

Made in China

PLCT003\_V1.0



This product is for indoor use only. Please read this manual before using the product and keep it for future reference.

# CONTENTS

---

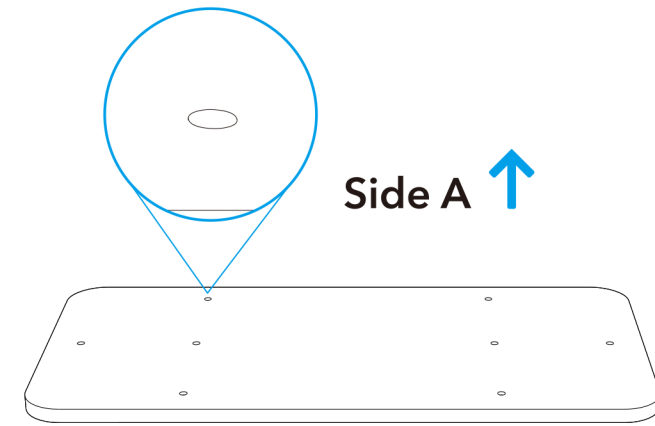
<b>IN THE BOX</b>	<b>01</b>
<b>WARNING &amp; CAUTIONS</b>	<b>04</b>
<b>KEY INSTALLATION METHODS</b>	<b>06</b>
<b>INSTALLATION STEPS</b>	<b>09</b>
<b>CARE AND MAINTENANCE</b>	<b>20</b>
<b>SPECIFICATIONS</b>	<b>21</b>
<b>WARRANTY</b>	<b>21</b>

# IN THE BOX

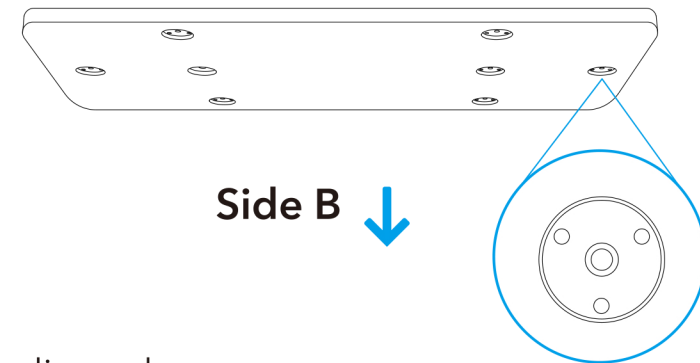


## Notes

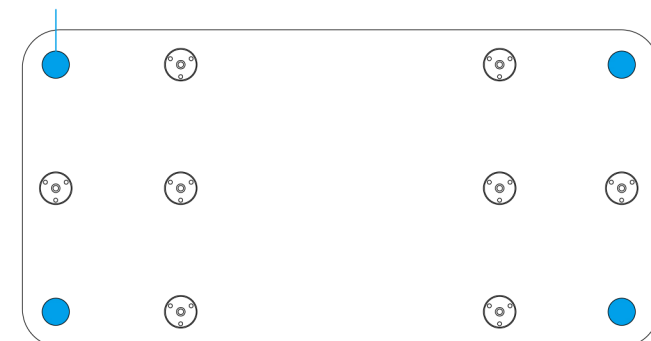
- Make sure the A side of the base platform is facing upwards.



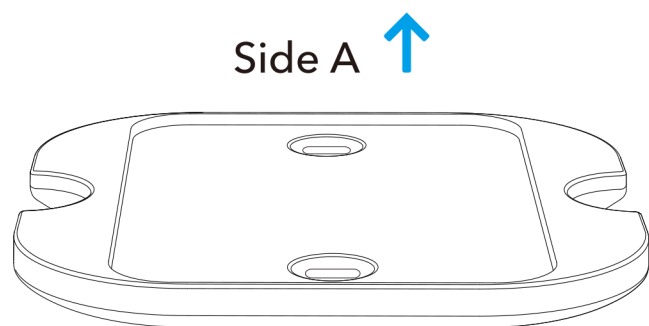
- Please install the non-slip pads on the B side of the base platform, as shown in the diagram.



Non-slip pads



- Make sure the A side of the platform is facing upwards.



- The height of your cat tree after installation should not exceed 4 layers.

## WARNING & CAUTIONS

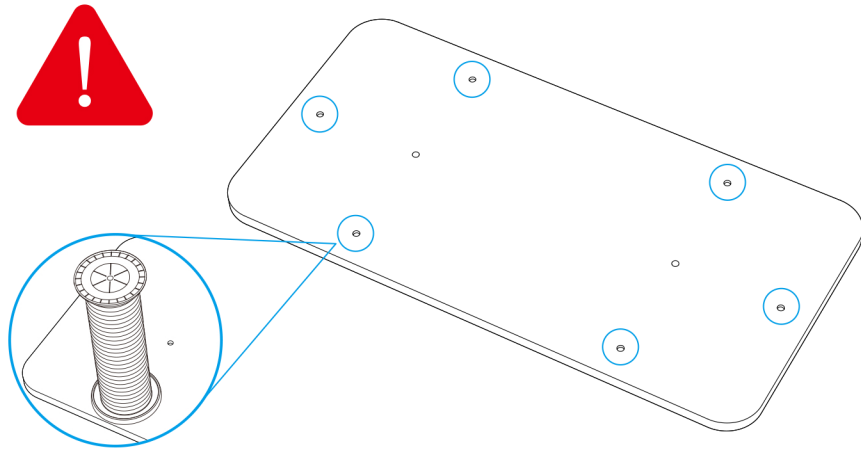
---

- Place the cat tree indoors, away from direct sunlight or damp areas.
- Keep all tools and instruction in a safe place for future reference.
- This cat tree is intended for cat use only. Please keep children away.
- Keep all small parts away from children and pets to avoid choking hazards.
- Do not climb, rock, shake, step on, or hang on the cat tree.
- Place the cat tree on a flat, level surface for stability.
- Check the cat tree often for loose screws or parts that may need re-tightening.
- Do not place heavy items on the cat tree.
- Do not sit or stand on the cat tree.
- Inspect the cat tree for damage and discard if any part gets worn or damaged.
- Failure to follow the installation instructions in this manual may cause the cat tree to fall over and cause injury.

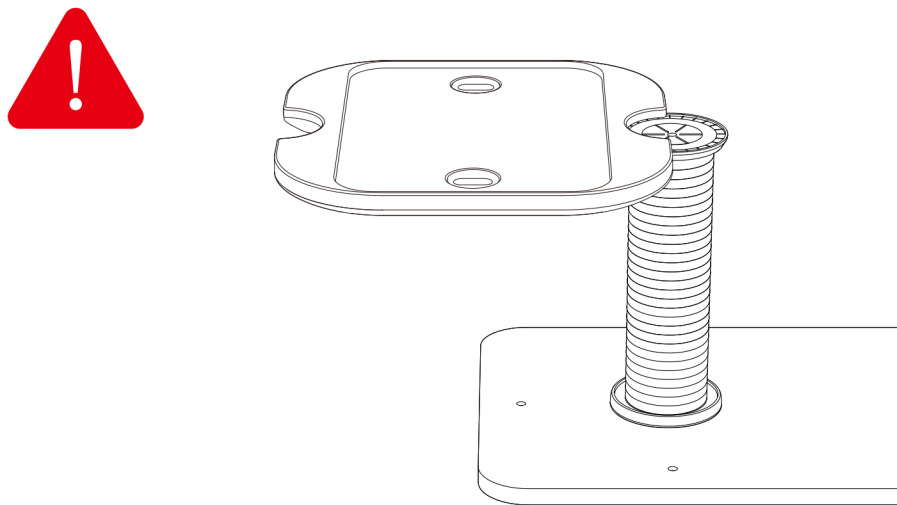


## Notes

- Do not install the scratching post to one of the side holes on the base platform.



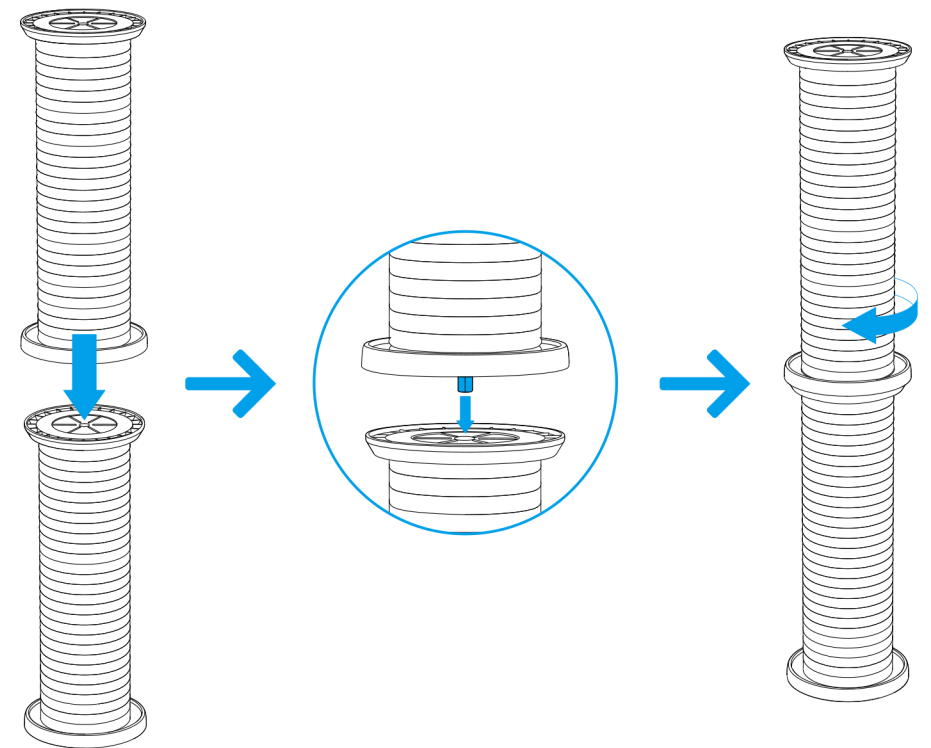
- Do not attach the platform to one scratching post only.



## KEY INSTALLATION METHODS

### Scratching post + scratching post

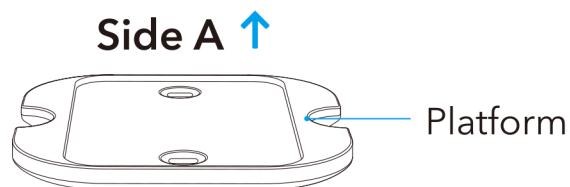
Insert the screw of one scratching post into the screw hole of another scratching post, and rotate one of the scratching posts to tighten.



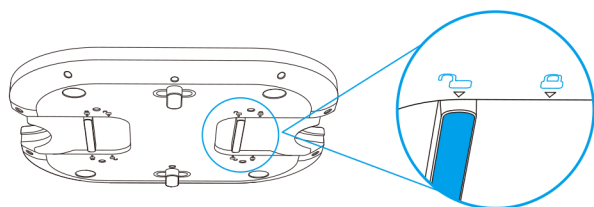
## Scratching post + platform

### Notes

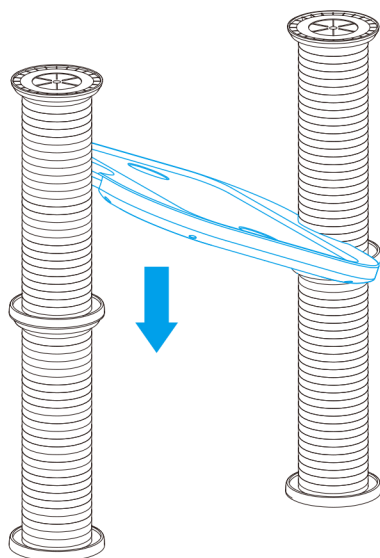
- Make sure the A side of the platform is facing upwards.



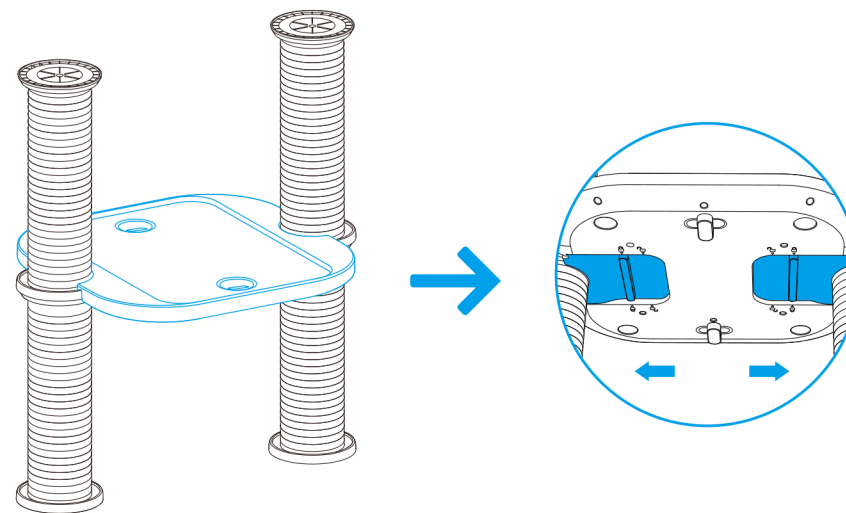
- Make sure the platform fasteners are unlocked before installation.



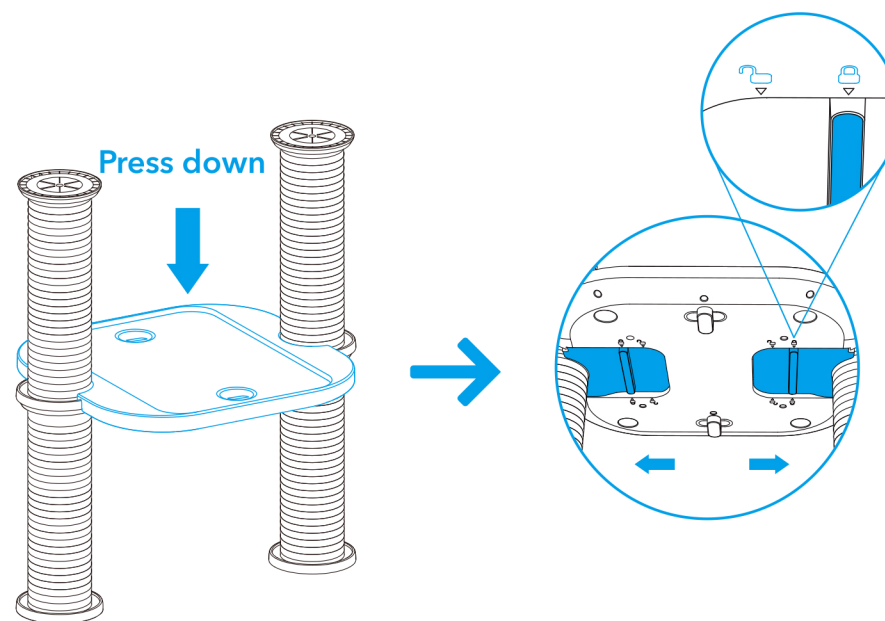
1. Align the cutouts of the platform with the connecting parts (grooves) of two scratching posts, and attach the platform to the scratching posts.



2. Push the bottom platform fasteners towards the posts until the fasteners cannot be moved.



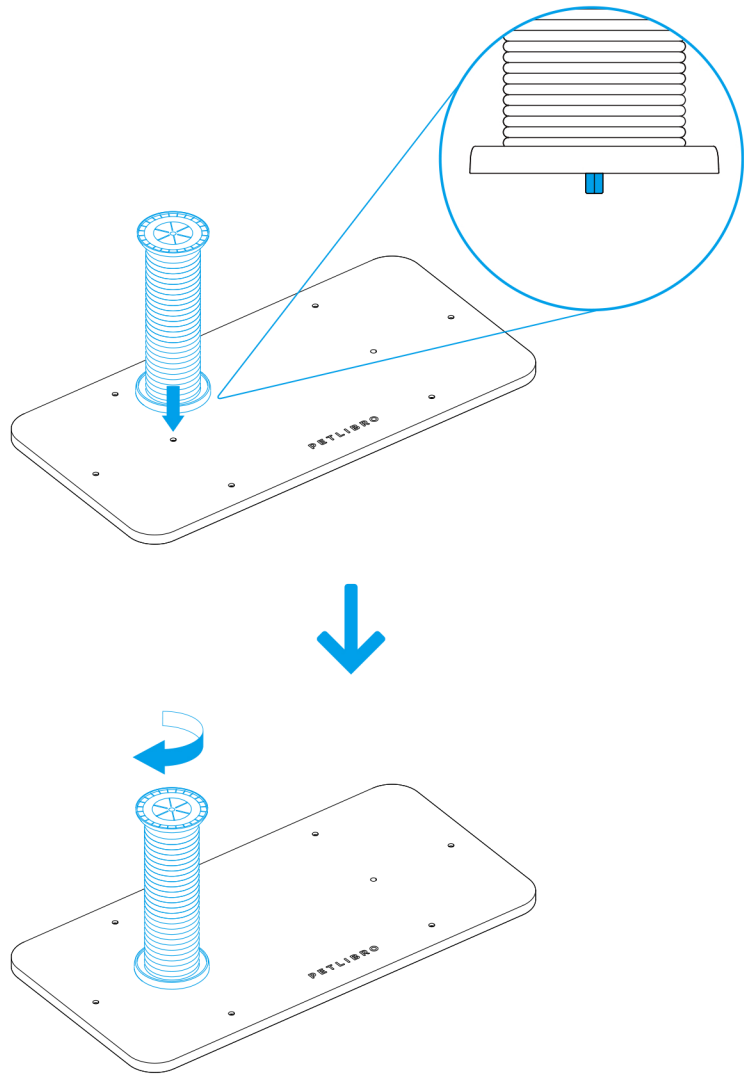
3. If you can't push the platform fasteners, try pressing around the cutouts on the platform while pushing the fasteners.



# INSTALLATION STEPS

## 1. Base platform + scratching post

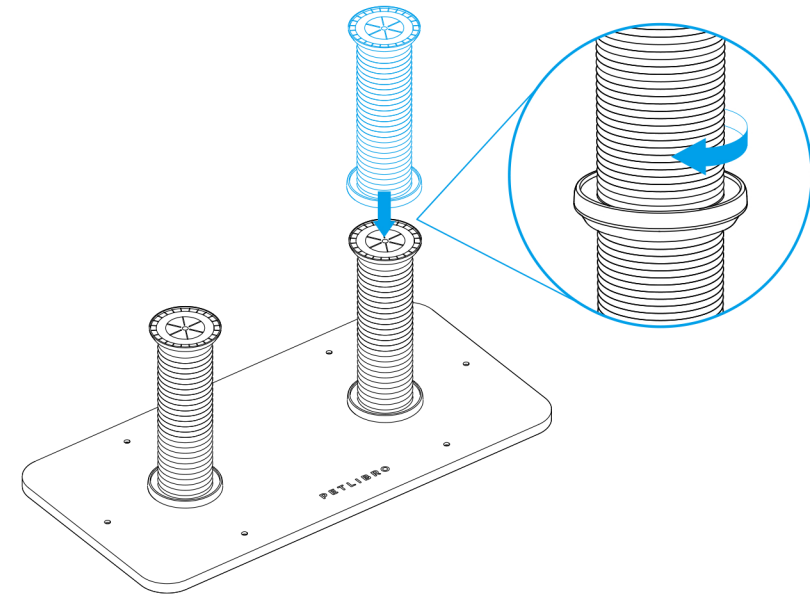
Insert the screw of the scratching post into one of the base platform screw holes (not the side holes) and rotate the scratching post to tighten.



## 2. Scratching post + scratching post + scratching post cap

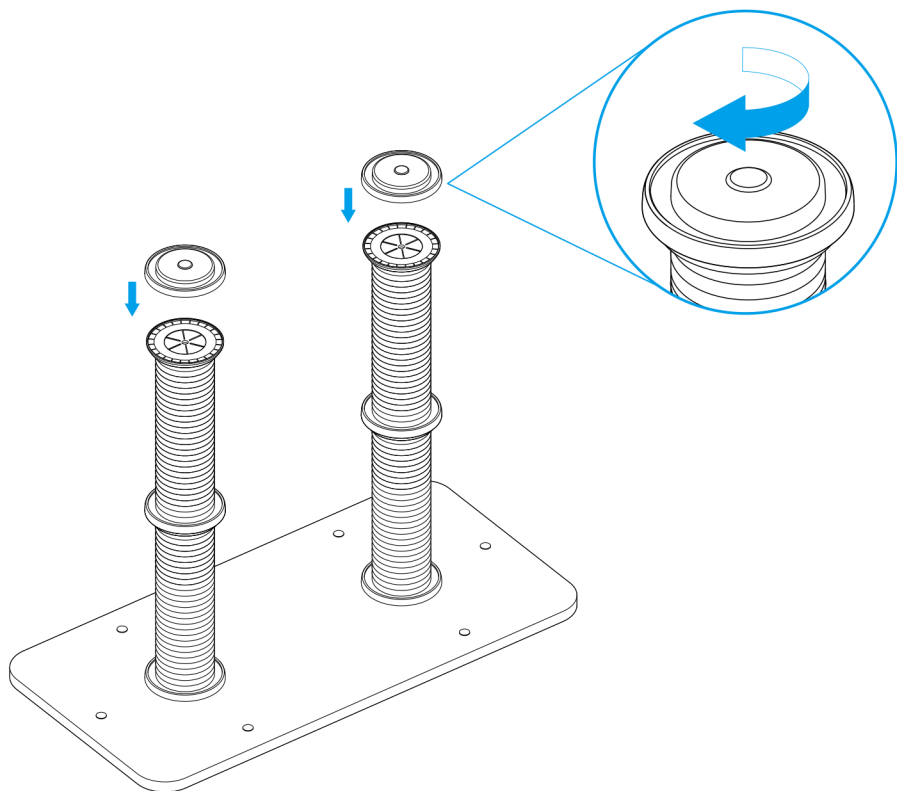
### A. Scratching post + scratching post

Insert the screw of one scratching post into the screw hole of another scratching post, and rotate one of the scratching posts to tighten.



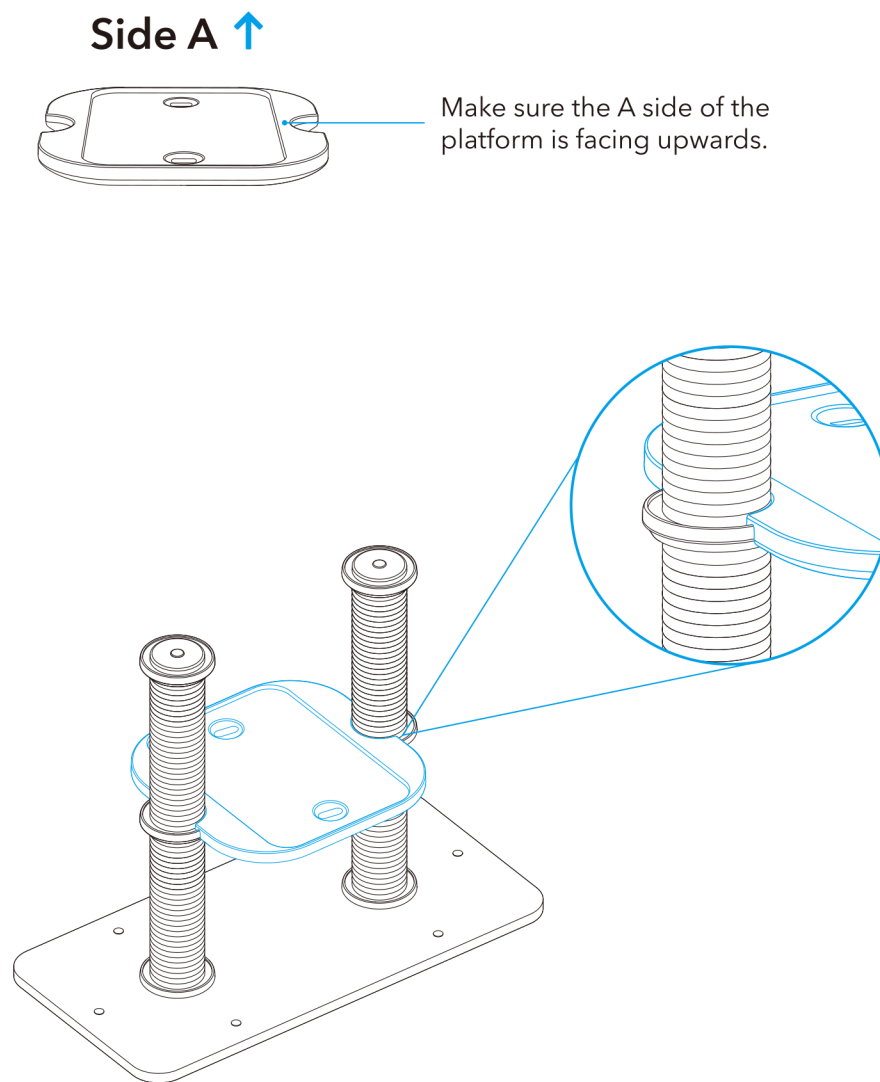
### B. Scratching post + scratching post cap

Insert the screw of the scratching post cap into the screw hole of the scratching post and rotate the cap to tighten.

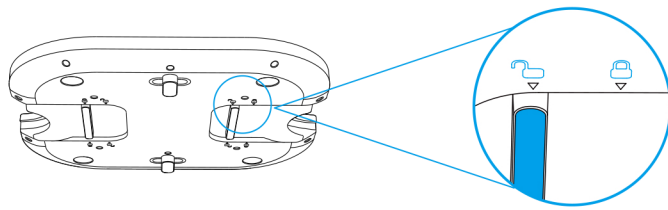


### 3. Scratching post + platform

A. Align the cutouts of the platform with the connecting parts (grooves) of two scratching posts, and attach the platform to the scratching posts.



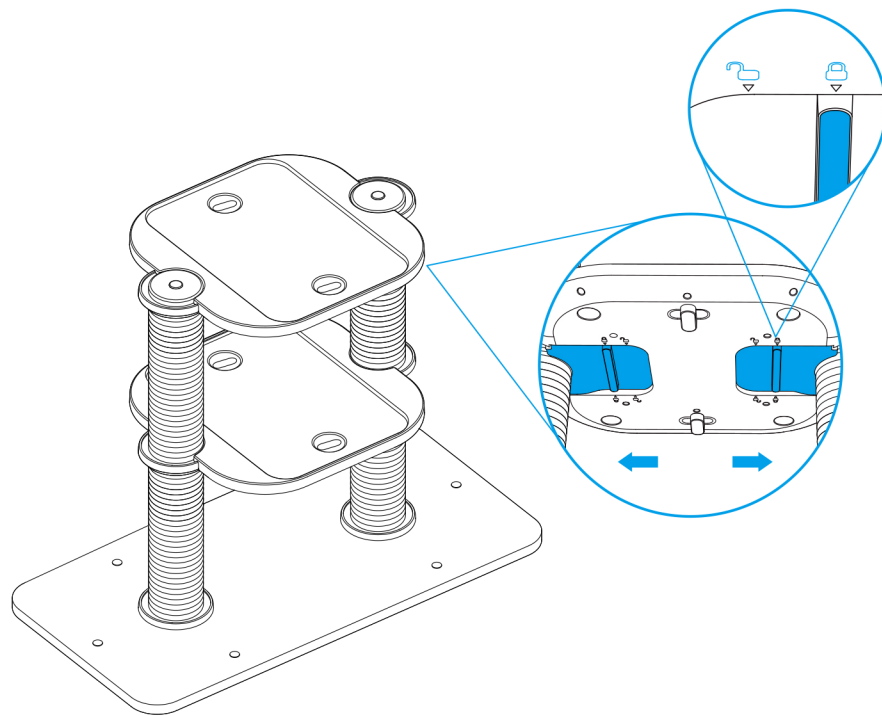
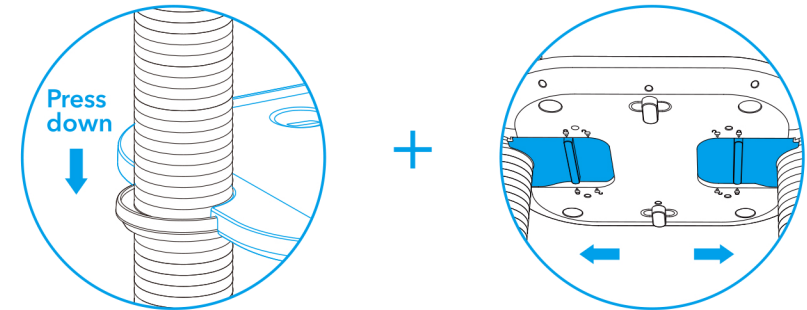
**B.** Push the bottom platform fasteners towards the posts until the fasteners cannot be moved.



**Side B** ↓

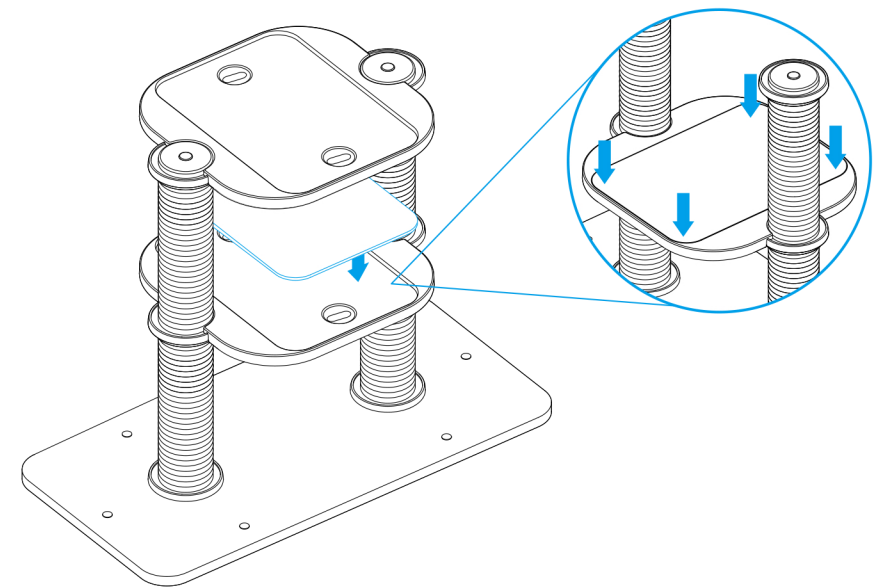
Make sure the platform fasteners are unlocked.

**C.** If you can't push the platform fasteners, try pressing around the cutouts on the platform while pushing the fasteners.



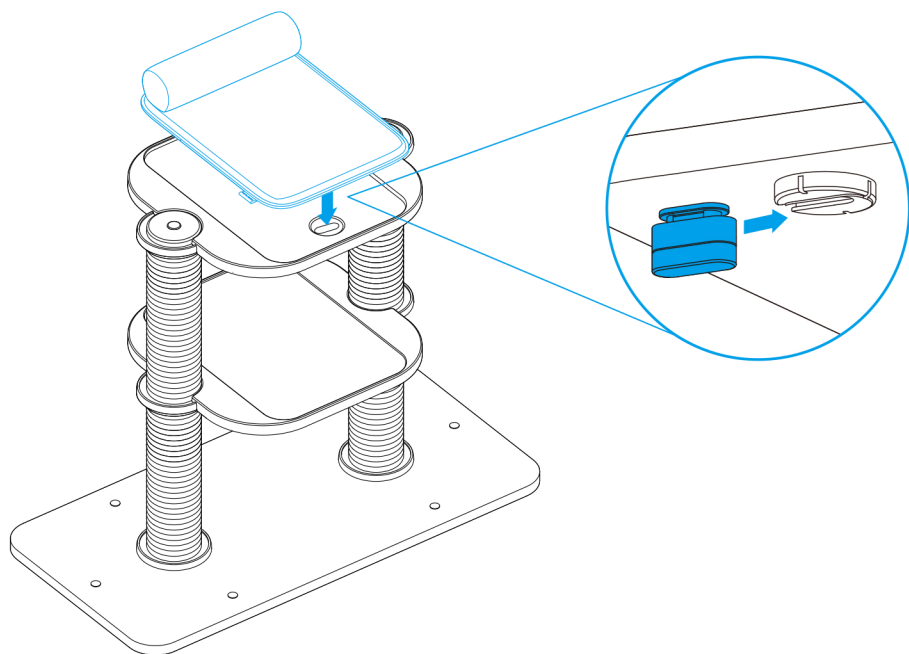
#### 4. Felt pad + platform

Place the pad on the platform and press it down to make sure the platform surface is level.

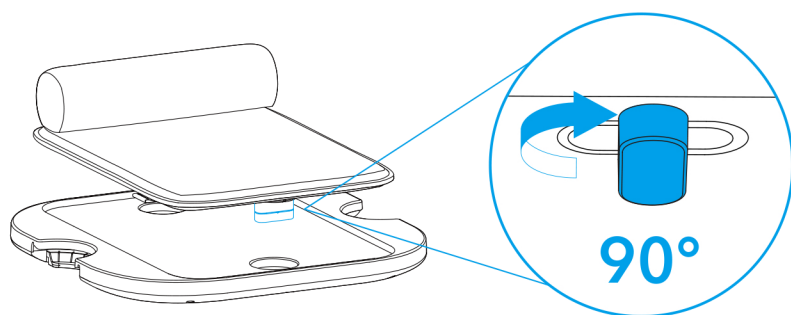


## 5. Cat bed + platform

- A.** Slide to install the cat bed fasteners to the cat bed.
- B.** Insert the fasteners under the bed into the holes on the platform.

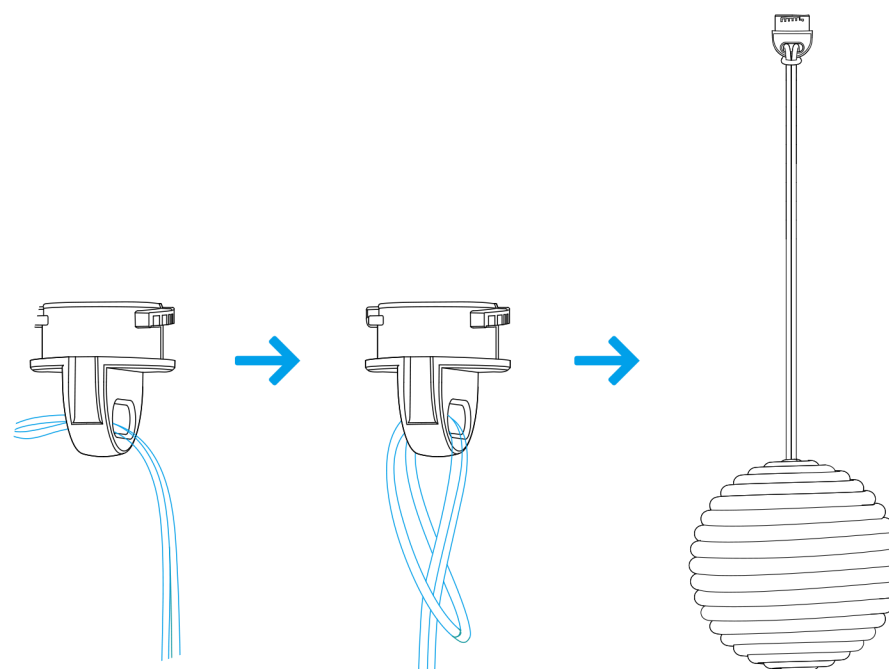
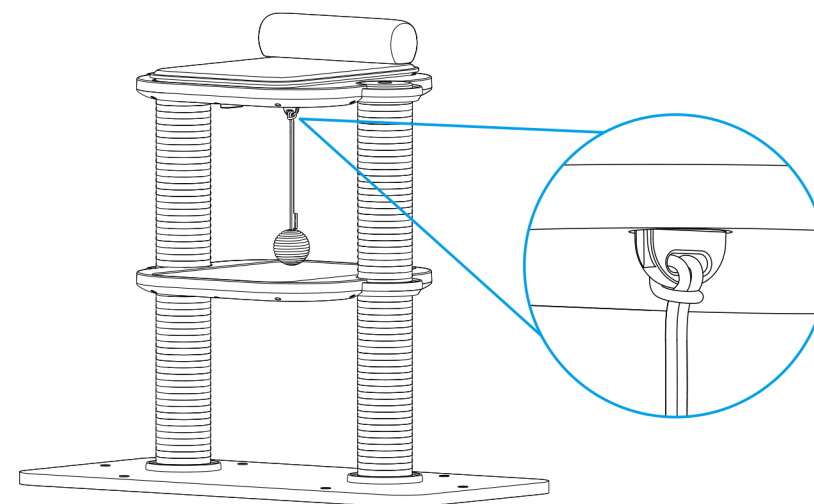


- C.** Rotate the fasteners 90 degrees.



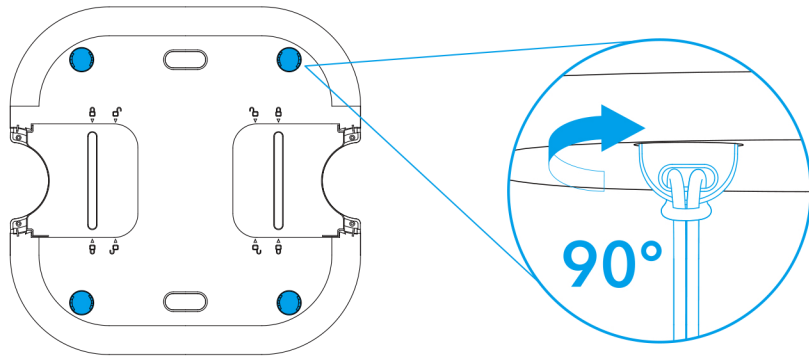
## 6. Toy + platform

- A.** Insert the fastener of the toy into a corner hole on the B side of the platform.



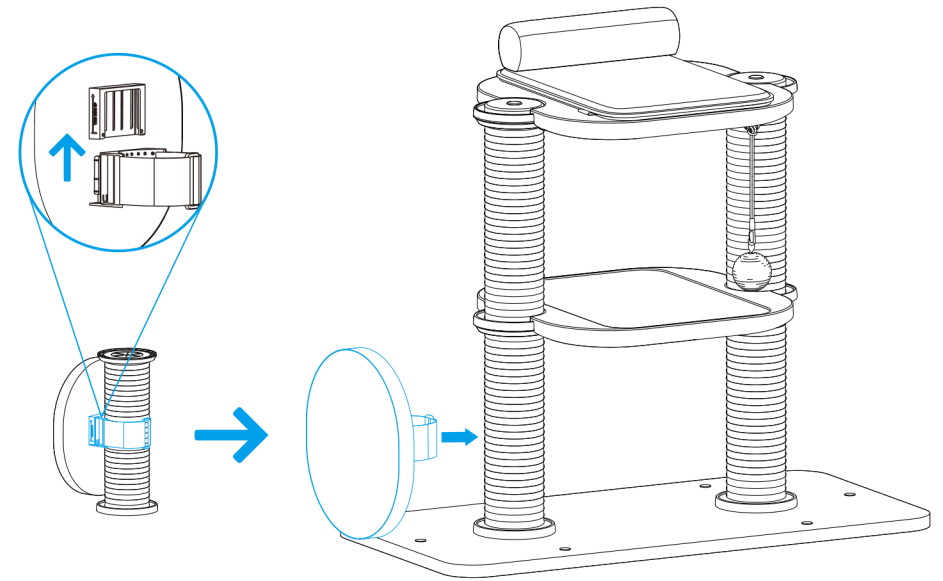


**B.** Rotate the fastener 90 degrees.



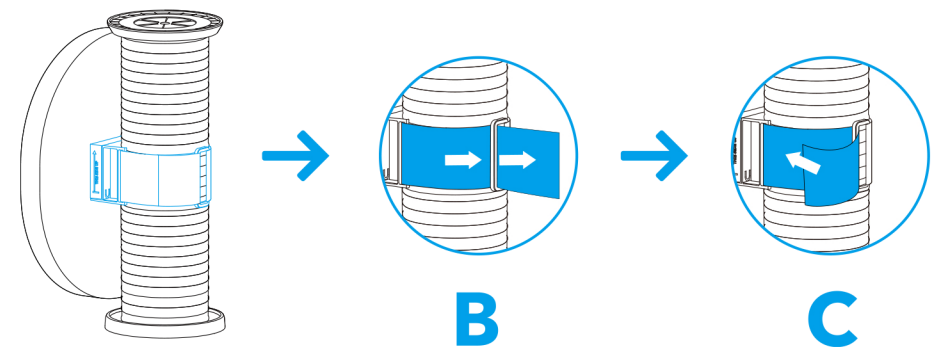
## 7. Scratching post + scratching board

**A.** Slide to install the scratching board fastener to the back of scratching board.



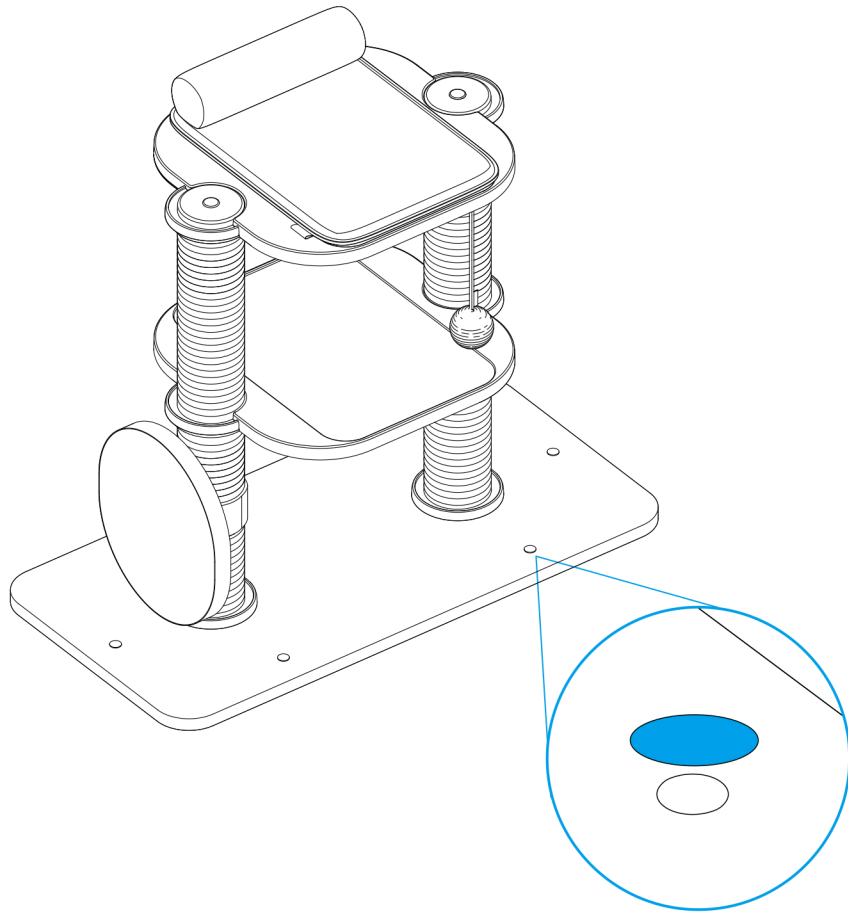
**B.** Align the fastener of the scratching board to the scratching post, and thread the strap with velcro through the buckle.

**C.** Secure the strap.



## 8. Base platform + screw hole sticker

After installation, apply PVC stickers to the unused holes on the base platform.



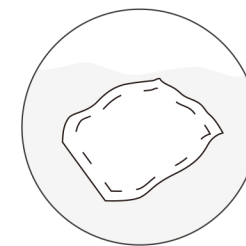
## CARE AND MAINTENANCE

### Cleaning the felt pad

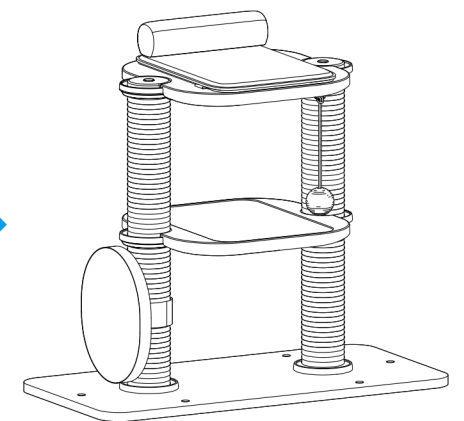
- Do not use a washing machine.
- Do not use a brush to clean the pad.
- Do not place the pad in a dryer.
- Keep away from direct sunlight.
- Do not use a hairdryer to dry the pad.
- Do not use bleach for cleaning.

### Cleaning the platform, scratching board, and scratching post

- To remove hair and dust, use a vacuum cleaner.
  - Do not wash with water.
1. Dampen a soft cloth with soapy water.
  2. Spot clean the stains and soiled areas with the cloth.

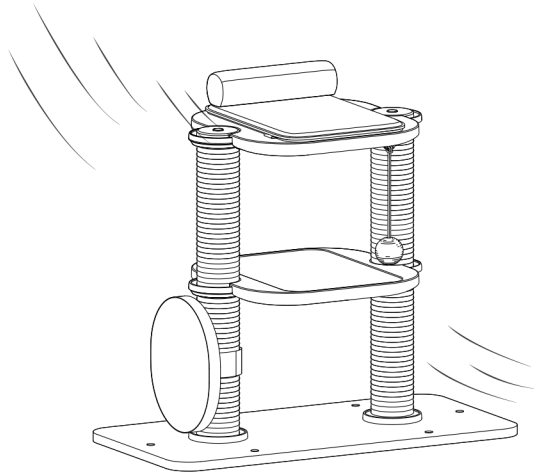


Well-wrung damp cloth





3. Air-dry the wet areas completely.



Let's DIY for your cats!

## SPECIFICATIONS

---

Model	PLCT003
Single-Layer Platform Load Capacity	15kg / 33lb
Layer	2

## WARRANTY

---

- 12-month warranty
- For guidance on product use, please contact our customer service team via email: **help@petlibro.com**.