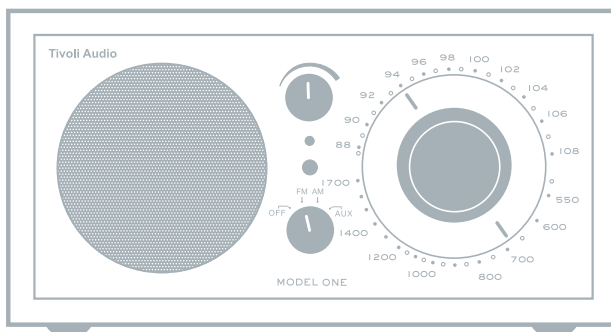


OWNER'S MANUAL

Model One™



Tivoli Audio™



Model One™

The Model One AM/FM Table Radio

Table of Contents:

English	4
Deutsch	12
Español.....	15
Français.....	19
Italiano	22
Português	25
Declaration of Conformity	27

English



This symbol is intended to alert the user to the presence of uninsulated "dangerous voltage" within the product's enclosure that may be of sufficient magnitude to constitute a risk of electric shock to persons.



This symbol is intended to alert the user to the presence of important operating and maintenance (servicing) instructions in the literature accompanying the appliance.

Important Safety Instructions

1. Read these instructions.
2. Keep these instructions.
3. Heed all warnings.
4. Follow all instructions.
5. WARNING – To reduce the risk of fire or electric shock, do not expose this apparatus to rain or moisture.
6. Clean only with dry cloth.
7. Do not block any ventilation openings. Install in accordance with the manufacturer's instructions.
8. Do not install near any heat sources such as radiators, heat registers, stoves, or other apparatus (including amplifiers) that produce heat.
9. Do not defeat the safety purpose of the polarized or grounding-type plug. A polarized plug has two blades with one wider than the other. A grounding type plug has two blades and a third grounding prong. The wide blade or the third prong are provided for your safety. If the provided plug does not fit into your outlet, consult an electrician for replacement of the obsolete outlet.
10. Protect the power cord from being walked on or pinched particularly at plugs, convenience receptacles, and the point where they exit from the apparatus.
11. Only use attachments/accessories specified by the manufacturer.
12. Use only with the cart, stand, tripod, bracket, or table specified by the manufacturer, or sold with the apparatus. When a cart is used, use caution when moving the cart/apparatus combination to avoid injury from tip-over.
13. Unplug this apparatus during lightning storms or when unused for long periods of time.
14. Refer all servicing to qualified service personnel. Servicing is required when the apparatus has been damaged in any way, such as power-supply cord or plug is damaged, liquid has been



spilled or objects have fallen into the apparatus, the apparatus has been exposed to rain or moisture, does not operate normally, or has been dropped.

15. Operate this product only from the type of power source indicated on the rear panel.
For products using an external power supply, use an exact replacement if lost or damaged.
For products operating from battery power, refer to the user manual.
16. Unplug this product from the wall outlet and refer servicing to qualified service personnel under the following conditions:
 - a. When the power supply cord or plug is damaged.
 - b. If liquid has been spilled or objects have fallen into the product.
 - c. If the product has been exposed to water or rain.
 - d. If the product does not operate normally by following the operating instructions.
 - e. If the product has been dropped or damaged in any way.
 - f. When the product exhibits a distinctive change in performance.
17. When replacement parts are required, be sure the service technician has used replacement parts specified by the manufacturer, product is in proper operating condition.
18. Upon completion of any service, ask the service technician to perform safety checks to confirm the product is in proper operating condition.
19. Apparatus shall not be exposed to dripping or splashing and no objects filled with liquids, such as vases, shall be placed on the apparatus.
20. The recommended operating temperature range is 5°C to 40°C (41°F -104°F).
21. The 12VDC input is suited for operating this product in a boat or camper using an optional 12VDC, 1A fused adapter.
22. WARNING – The mains are not disconnected in the off position, but the circuits are de-powered.
23. As the main plug is used to disconnect the system from the mains, connect the system to an easily accessible AC outlet.

 **WARNING: THE AFFIXED MODEL ONE TELESCOPING EXTERNAL ANTENNA IS NOT INTENDED TO BE DETACHED.**



This product can be recycled. Products bearing this symbol must NOT be thrown away with normal household waste. At the end of the product's life, take it to a collection point designated for recycling of electrical and electronic devices. Find out more about return and collection points through your local authority.

The European Waste Electrical and Electronic Equipment (WEEE) Directive was implemented to dramatically reduce the amount of waste going to landfills, thereby reducing the environmental impact on the planet and on human health. Please act responsibly by recycling used products. If this product is still useable, consider giving it away or selling it.

English

Model One Instructions

Congratulations on your purchase of the Model One table radio. We believe the Model One to be one of the finest mono analog table radios on the market today.

We know you are eager to use your new radio, but please take a moment to read this owner's manual and Safety Instructions. If you have any questions, please do not hesitate to contact your dealer or Tivoli Audio.

Please save the carton and original packing should you ever need to ship your radio, as shipping damage is not covered by the factory warranty.

On behalf of all of us, thank you for choosing Tivoli Audio and enjoy your new Model One!

About Tivoli Audio

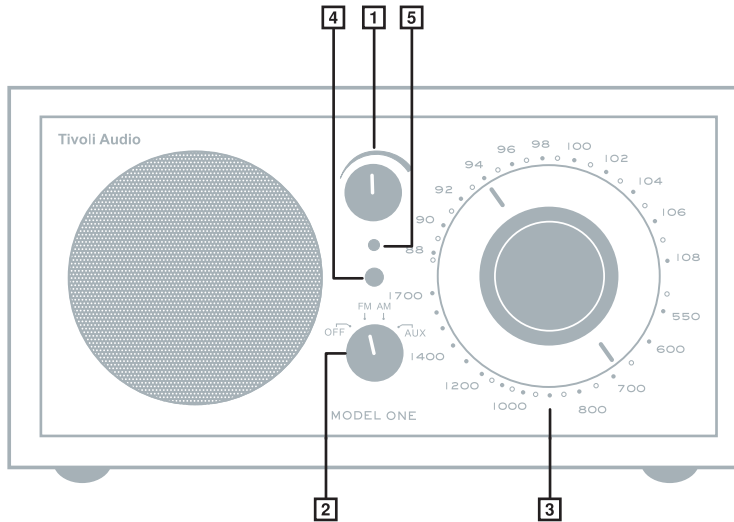
Tivoli Audio was founded by Tom DeVesto with the mission of bringing simple to use, elegantly designed, high quality audio products to consumers. As CEO and head of research and development at his former company, Cambridge SoundWorks*, Tom was responsible for the development of many of the best selling home entertainment and multi-media products on the market. He also held senior management positions in product development at both Advent and Kloss Video.

*Cambridge SoundWorks is a registered trademark of Creative Labs, Singapore.

Packed with your Model One you should find one each:

- One (1) each 9 foot (2.7M) power cord
- One (1) FM wire antenna OR one (1) attached FM telescoping antenna (depending on country)

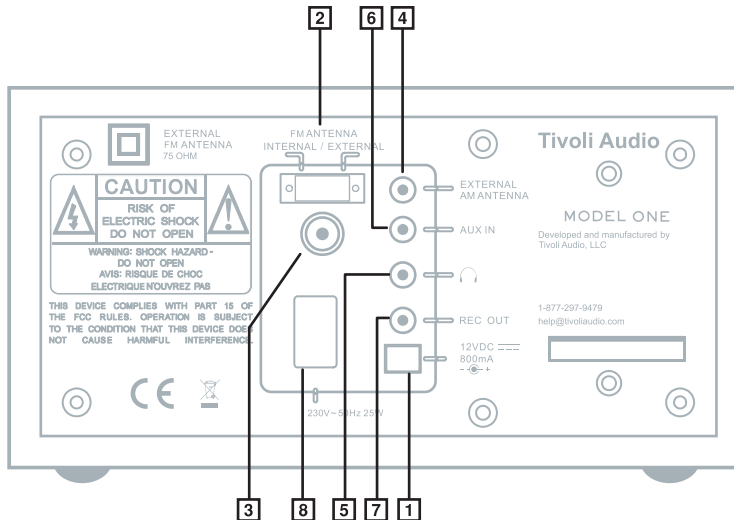
Please contact your dealer or Tivoli Audio if any of these items are missing.

Guide to Features (Front panel):

1. **VOLUME KNOB:** Rotate the volume knob to the right to increase the volume or to the left to decrease the volume. This knob also controls the volume of the headphone output.
2. **OFF/FM/AM/AUX KNOB:** Turn the knob one click to the right to hear the FM band, two clicks to the right to hear the AM band, or three clicks to the right to select the auxiliary input.
3. **TUNING KNOB:** Rotate the analog tuning dial to the right or to the left to adjust the FM (upper half of dial) or AM (lower half of dial) frequency range.
4. **TUNING INDICATOR:** Brightest when best tuning has been achieved. Some listenable AM stations will not light the tuning indicator and should be tuned by ear for the clearest signal. This light may or may not remain lit when in the AUX position depending upon the position of the AM dial.
5. **POWER INDICATOR:** Glows when the source knob is in any position other than Off.

English

Guide to Features (Rear panel):



- 1. 12VDC/800mA:** This input is for use with an optional 1A fused, 12VDC adapter, for operation in a boat or camper. The connector must be 5.5mm/2.1mm center positive.
- 2. FM ANTENNA SWITCH:** Switch between internal and external FM antennas. This switch has no effect on AM reception. In some cases, FM reception may be improved by setting this antenna switch to External.
- 3. EXTERNAL FM CONNECTION:** When listening to FM, depending on your country, slide the included wire antenna over this F connector, or adjust this telescoping antenna and position it for best reception. In strong FM signal locations, reducing the antenna's length may provide better reception. When the unit is not in use or when listening to AM, keep the antenna retracted to protect it. This antenna has no effect on AM reception. For more, see the section marked "Reception".
- 4. EXTERNAL AM CONNECTION:** In some cases, AM reception may be improved by connecting an external AM antenna (not included) to this jack, which accepts a 1/8" male stereo mini connector. For more, see the section marked Reception.
- 5. HEADPHONE OUT:** Connect a headset (not included) to this variable stereo output for private listening. The headset will mute the primary speaker. The headset's volume is adjusted using the volume knob. This stereo output accepts a 1/8" stereo male mini connector. Avoid using headphones at high volume levels to prevent possible hearing damage.
- 6. AUX IN:** To hear audio from another device, such as a CD player, MP3 player, or computer, connect said device's audio output to this stereo input and switch the front source knob to Aux. Switching to the Aux position does not turn on the connected device. This stereo input accepts a 1/8" stereo male mini connector. The left and right stereo signal is summed to mono. Note you may need to adjust the volume level differently for an auxiliary device than the level

used for radio listening.

7. **REC OUT:** You can record from the Model One radio by connecting a cassette deck's audio input (or other recording device) to this fixed level stereo output. You can also use the Model One radio as a high performance analog tuner by connecting it to the audio input of a preamplifier or integrated amplifier. The primary speaker will not be muted when using this output. This jack accepts a 1/8" stereo male mini connector.
8. **230V:** Connect the included power cord to this input. When unplugging the power cord from the wall outlet, always grab it by the plug. We recommend using a powerstrip with surge protection. When disconnecting the power cord, always grasp it firmly at the connector. Never pull on the cord itself. Do not bundle the power cord together with the external FM antenna or any audio cables, as this can inject noise in the audio path.

Reception:

For AM, rotate the radio for best reception. An optional external AM wireless or wired antenna may provide improved AM reception.

Buildings made with concrete, steel, or aluminum siding will hinder reception. Household appliances, electric blankets, computers, CD players, and other electronic devices can also adversely affect reception or inject noise. If you experience this, move the Model One radio further from the offending device or plug it into an electrical outlet not shared by another device. Metal surfaces may also hinder AM reception.

Placement

Place the unit on a flat, stable surface. Do not block the bottom bass port. The Model One radio is not video shielded and should be kept at least 5" away from a computer monitor or television. The Model One radio can be positioned vertically as well as horizontally. Placement in a bookcase, cabinet, or close to walls or corners may inflate the bass.

Cleaning:

Never use any harsh cleansers or solvents on your radio. Avoid spray-on waxes. Unplug the Model One radio prior to cleaning. The face may be cleaned with a slightly damp, soft cloth. Painting or staining the wood cabinet will void your warranty.

The variations in color and grain are characteristics of real wood and give the cabinet its natural beauty. As a result, the cabinet's finish may not match other Tivoli Audio products.

Also note some finishes, particularly walnut, may darken over time to light exposure. This is normal for a natural wood product.

NOTE: If you wish to attach other speakers to the Model One radio, use only the self amplified variety, such as those typically used with computers.

English

Limited Warranty:

Tivoli Audio manufactures its products to very high standards and we are confident our products will perform well. Accordingly, we provide a limited warranty on this product against manufacturing defects in material and workmanship to the original owner. This warranty is non-transferable.

Products purchased in the European Union and Norway have a minimum warranty term of two years. For countries where minimum warranty terms are determined by statute, the warranty term is the statutory period required. In all other locations, the warranty term is one year.

This Limited Warranty covers the functionality of the product for its normal, intended use as specified in this Owner's Manual. It does not cover a malfunction or damage that has resulted from improper or unreasonable use or installation, using the charger to charge alkaline batteries, faulty ancillary equipment, modifications, unauthorized repair, shipping damage or loss, abuse, accidents, use on improper voltage/current, power surges, lightning or other acts of God, excess moisture, normal wear and tear, commercial use, or purchase from unauthorized dealers. Proof of purchase as evidence the unit was purchased from an authorized dealer may be required for warranty service.

Please contact the dealer of purchase or local distributor for warranty service or repair.

Please refrain from opening this product or taking it apart as doing so will void this Limited Warranty. There are no user serviceable parts inside. Tivoli Audio will not pay for costs incurred due to correction of reception problems, elimination of externally generated static/noise, loss of time, inconvenience, loss of use of product, or damage caused by improper use of this product.

In the event the product is returned during the warranty term and is eligible for service under this Limited Warranty, we will repair or replace any defective parts within a reasonable period of time and free of charge.

THIS LIMITED WARRANTY GIVES YOU SPECIFIC LEGAL RIGHTS SUBJECT TO SPECIFIED CONDITIONS. YOU MAY ALSO HAVE OTHER LEGAL RIGHTS WHICH APPLY TO THE PRODUCT YOU HAVE ACQUIRED. THESE LEGAL RIGHTS VARY FROM COUNTRY TO COUNTRY. SOME PLACES DO NOT ALLOW THE EXCLUSION, RESTRICTION, OR MODIFICATION OF CERTAIN IMPLIED RIGHTS OR THEIR EFFECT. IN THOSE SITUATIONS THIS LIMITED WARRANTY WILL ONLY APPLY TO THE EXTENT THAT THE APPLICABLE LAW ALLOWS.

The laws of your country may provide you with legal claims against the seller or manufacturer of this product. This Limited Warranty does not affect those rights.

The provisions of the Limited Warranty are in lieu of any other warranties or conditions, except those provided by law. This Limited Warranty does not affect any legal rights provided to you by law and does not preclude any remedy you may have under law.

In countries where liability limits are not precluded by statute, the maximum liability of Tivoli Audio shall not exceed the purchase price paid by you for the product. In countries where limitations of liability are precluded by law, Tivoli Audio shall be liable for no more than the direct damages for bodily injury, and/or real or personal property arising from the negligence of Tivoli Audio.

Where not prohibited by law, Tivoli Audio shall not be liable for special, incidental, consequential, or indirect damages. Some places do not allow limitations on the exclusion or limitation of relief,

special, incidental, consequential or indirect damages, or the limitation of liability to specified amounts, so the above limitations or exclusions may not apply to you.

This Limited Warranty is void if the label bearing the serial number has been removed or defaced.

If you purchased an extended service contract from your dealer and service is required after the term of this Limited Warranty has expired, please contact your extended service contract provider to obtain service.

For your convenience, you may register your product for warranty service online at our website www.tivoliaudio.com. There is no legal obligation for you to provide personal information. However, such information allows us to maintain a record of the Tivoli Audio products acquired by you and better understand the purchasers of our products. The information collected will be used for marketing purposes by Tivoli Audio and, where permitted, to contact you in relation to the products you have acquired or other products which might be of interest to you from Tivoli Audio or other companies. The information that you provide may be processed in another country.

Please visit the Tivoli Audio FAQ section at www.tivoliaudio.com prior to any request for warranty service as information available there may answer your questions or concerns. You may email questions to us at mail@tivoliaudio.com

Specifications:

Model:	Tivoli Audio™ Model One™
Type:	AM/FM analog mono table radio
Driver	One 3" (76.2mm) full-range driver
Dimensions:	21.3cm W x 11.4cm H x 13.3cm D (8.375" W x 4.5" H x 5.25" D)
Weight:	1.86 kg (4.10 lbs)

Specifications subject to change without notice.

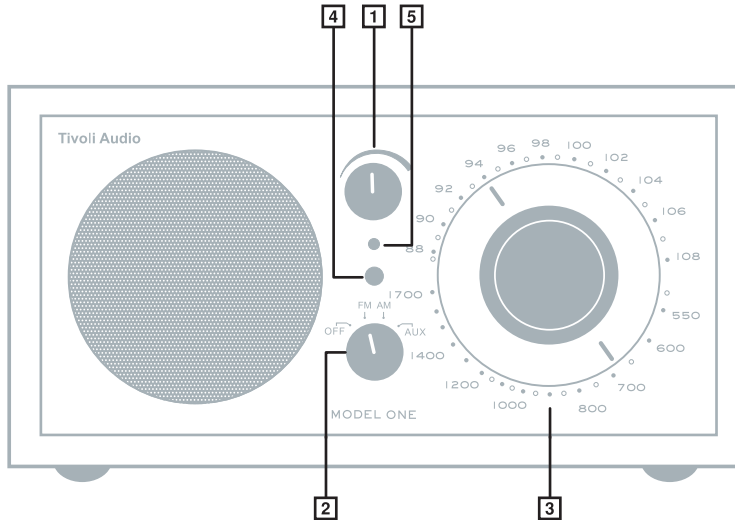
Tivoli Audio reserves the right to make product changes without notice.

Tivoli Audio, the Tivoli Audio logo and Model One are trademarks of Tivoli Audio, LLC.



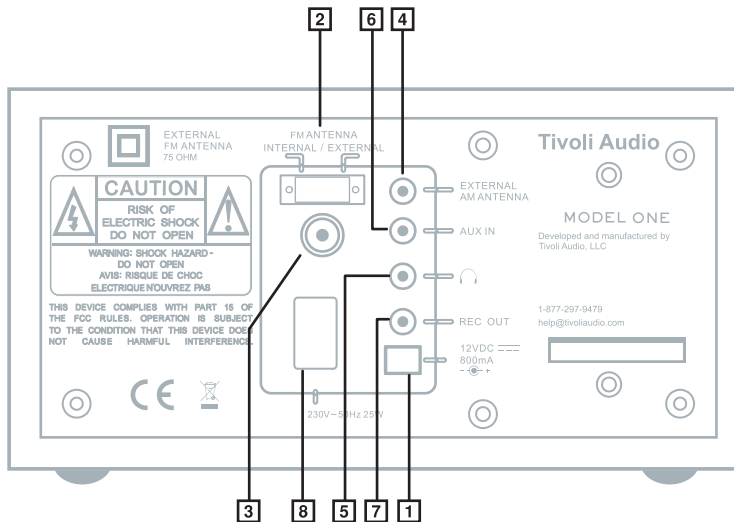
Deutsch

Funktionen: Frontseite des Geräts



1. **LAUTSÄRKEREGLER:** Drehen Sie den Lautstärkeregler nach rechts um die Lautstärke zu erhöhen, bzw. nach links um die Lautstärke zu verringern. Dieser Knopf regelt ebenfalls die Lautstärke des Kopfhörerausgangs.
2. **OFF/FM/AM/AUX REGLER:** Drehen Sie den Knopf einen Klick nach rechts um UKW Frequenz, zwei Klicks nach rechts um MW Frequenz und drei Klicks nach rechts um den AUX-Eingang auszuwählen.
3. **ABSTIMMUNG:** Drehen Sie den Regler zur Abstimmung der Sender bzw. zur Suche nach Radiostationen. In der jeweils besten Position zum Empfang der Stationen leuchtet das LED Feinabstimmung besonders hell auf. Bei einigen AM-Stationen mit extrem schwachem Signal wird die LED Feinabstimmung nicht funktionieren, so daß Sie die Abstimmung nach Gehör vornehmen müssen.
4. **LED FEINABSTIMMUNG**
5. **LED "STROMVERSORGUNG"**

Funktionen: Rückseite des Geräts



- 12VDC/800mA:** Benutzen Sie diesen Eingang zum Anschluß eines Gls-Netzgeräts.
- FM ANTENNEN ANSCHLUSS:** Wahlschalter zur Selektion zwischen der internen Antenne und der externen Antenne.
- EXTERNE UKW ANBINDUNG:** Wenn Sie Radio hören (abhängig vom jeweiligen Land), befestigen Sie die im Lieferumfang enthaltene Antenne an diesem F Adapter oder passen Sie Position und Richtung der Teleskopantenne an. In Gegenden mit starkem FM-Signal könnten Sie einen besseren Empfang erzielen, wenn Sie die Antenne nicht ganz ausziehen. Wenn das Gerät ausgeschaltet ist oder auf den AM-Bereich eingestellt ist, sollten Sie die Antenne einziehen, so daß sie gut geschützt ist. Die Ausrichtung der Antenne hat keinen Einfluß auf den Empfang im AM-Bereich.
- EXTERNE MW ANBINDUNG:** Ein einigen Fällen kann der MW Empfang verbessert werden, indem man eine externe MW Antenne (nicht im Zubehör enthalten) anbringt. Dieser Anschluss benötigt einen 3,5mm Klinkenstecker. Für weitere Informationen wenden Sie sich bitte an Ihren Fachhandelspartner.
- KOPFHÖRERAUSGANG:** Stereoausgang zum Anschluß eines Kopfhörers. Bei Anschluß eines Kopfhörers wird der Lautsprecher des Geräts automatisch abgeschaltet.
- AUX IN:** Stereoeingang zum Anschluß einer Stereo- oder Monoquelle (CD-Player, Fernseher, u.a.).
- REC OUT:** Das Gerät kann als separater Tuner eingesetzt werden, indem Sie an over this "F" connectie Buchse "Rec out" einen Verstärker anschließen. Die Buchse kann auch als Eingang für Mono-Aufzeichnungen benutzt werden.
- 230V:** Bringen Sie den im Zubehör befindlichen Netzstecker an diesen Anschluss an. Ziehen Sie den Netzstecker nie am Kabel aus der Steckdose. Halten Sie den Netzstecker nur an der verstärkten Kunststoffhalterung wenn Sie ihn vom Netz trennen. Legen Sie den Netzstecker nicht direkt neben die externe UKW Antenne oder andere Audiokabel, da dies Störungen verursacht.

Deutsch

Garantie:

Tivoli Audio Produkte erfüllen einen hohen qualitativen Standard. Wir sind sicher, dass wir auch Sie mit dem Produkt überzeugen können. Sollten Sie trotzdem einen Sachmangel feststellen, ist dieser durch die 24monatige Gewährleistungsfrist ab Kaufdatum abgedeckt. Bitte heben Sie daher Ihren Kaufbeleg auf. Die Garantie ist bei Weiterverkauf nicht übertragbar.

Diese Gewährleistung deckt nicht die Schäden von unsachgemäßer Aufstellung und/oder Behandlung. Schlechte Empfangsleistungen, Diebstahl und auch Schäden durch Naturkatastrophen sind vom Garantieanspruch ausgenommen. Zudem sind alle Geräte von einer Gewährleistungsfrist ausgeschlossen, an denen nicht professionelle Reparaturen und Modifikationen vorgenommen wurden. Das Gerät wurde ausschließlich für den Privatgebrauch entwickelt.

Um Gewährleistungsansprüche geltend zu machen, wenden Sie sich bitte mit dem Kaufbeleg zuerst an Ihren Händler oder Tivoli Audio direkt.

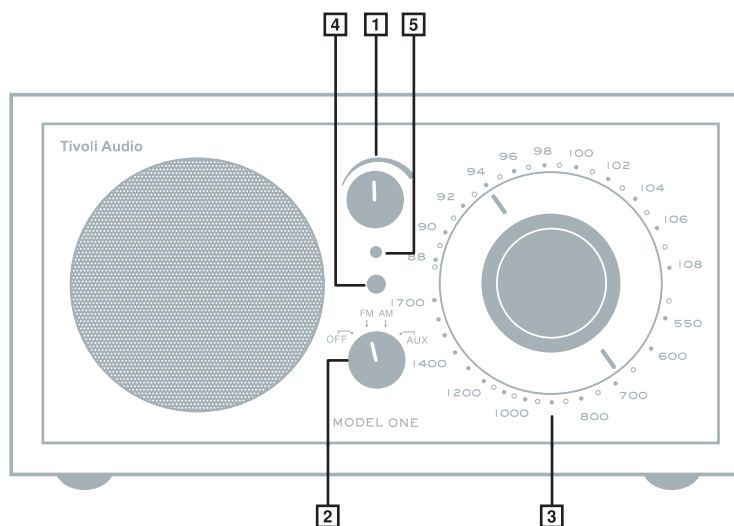
Bitte schrauben Sie das Gerät niemals auf. Es befinden sich keine Serviceteile im Inneren, die durch Sie ausgetauscht werden müssten. Wenn Sie das Gerät aufschrauben, gehen die umfassenden Garantieansprüche verloren.

Falls Sie einen weiterführenden Service oder eine Garantieverlängerung mit Ihrem Händler abgestimmt haben, so ist dies eine Vereinbarung zwischen Ihnen und Ihrem Händler. Der Hersteller bzw. der Importeur sind davon ausgeschlossen.

Falls Sie Fragen zu den Garantieleistungen haben, wenden Sie sich bitte an: www.tivoliaudio.com

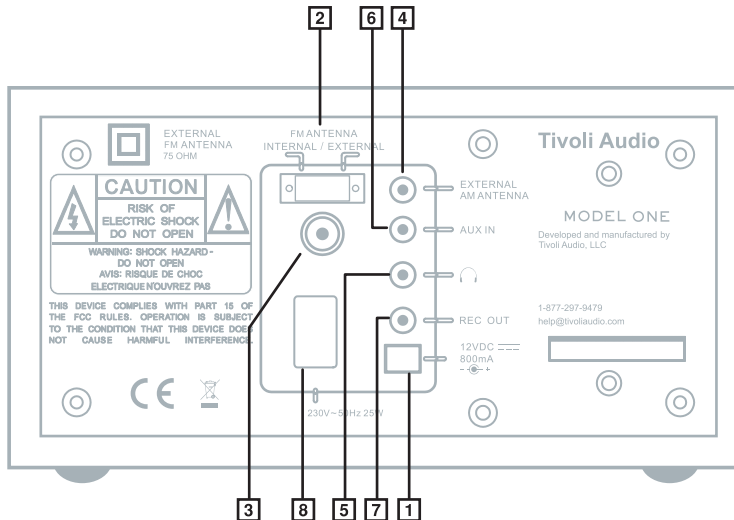


Guía de características: frente



1. **BOTON DE VOLUMEN:** Gire el botón de volumen hacia la derecha para aumentar el volumen y hacia la izquierda para reducirlo. Este botón controla también el volumen de la salida de auriculares.
2. **BOTON OFF/FM/AM/AUX:** Gire el botón una posición hacia la derecha para escuchar la banda de FM, dos posiciones para escuchar la banda de AM y tres posiciones para seleccionar la entrada auxiliar.
3. **SINTONIZACIÓN:** Gire el botón de sintonización a la derecha o a la izquierda para modificar el rango de frecuencia. El indicador de sintonización alcanza el máximo de luminosidad cuando se logra la mejor sintonización posible. Algunas estaciones AM, débiles pero que pueden escucharse, no hacen encender el indicador de sintonización y tendrán que sintonizarse hasta lograr la señal más clara y más alta posible.
4. **INDICADOR DE SINTONIZACIÓN**
5. **LUZ DE ALIMENTACIÓN**

Guía de características: parte trasera



1. **12VDC/800mA:** Utilice esta entrada para conectar el Model One a una fuente de energía de corriente continua.
2. **SELECTOR DE ANTENA FM:** Escoja entre la antena interna o externa aquí.
3. **CONEXION FM EXTERNA:** Cuando escuche FM, dependiendo del país, tendrá que conectar el cable de antena incluido en accesorios, en el conector F, o bien ajustar la antena exterior telescópica. En lugares donde la señal FM es fuerte, puede mejorar la recepción reduciendo la longitud de la antena. Cuando la unidad está apagada o cuando escucha la AM, mantenga la antena retraída para protegerla. La antena no tiene ninguna influencia en la recepción AM. Para más detalles vea el apartado "Recepción".
4. **CONEXIÓN AM EXTERNA:** En algunas ocasiones la recepción de AM puede mejorarse conectando una antena de AM (no incluida) a esta entrada, que acepta un conector mini estéreo de 1/8". Para más detalles vea el apartado "Recepción".
5. **SALIDA DE AURICULARES:** Conecte a este conector una clavija de auriculares para escuchar con auriculares. Al introducir la clavija se desactivará el altavoz principal.
6. **AUX IN:** Conecte a esta entrada estéreo una fuente de sonido estéreo o monoaural (lector de CD's o televisor).
7. **REC OUT:** El Model One puede utilizarse como sintonizador separado pasando del "record out" a un amplificador. Utilizando esta salida, también puede grabar en monoaural.
8. **230V:** Conecte el cable de alimentación incluido a esta entrada. Cuando desconecte el cable de la pared hágalo tirando del conector, nunca lo haga tirando del cable. No sitúe el cable de alimentación junto al cable de antena de FM o cualquier otro cable de audio ya que podría causar interferencias en el sonido.

Garantía Limitada:

Tivoli Audio fabrica sus productos con unos niveles de calidad muy altos y tenemos plena confianza en su buen funcionamiento. En consecuencia, proveemos al propietario original de este producto de una garantía limitada contra defectos de fabricación en el material y mano de obra. Esta garantía no es transferible.

Los productos adquiridos en la Unión Europea, Suiza y Noruega tienen un período mínimo de garantía de dos años. En los países donde los períodos mínimos de garantía están establecidos por ley, el período de garantía será el legalmente exigido. En todo el resto de lugares, el período de garantía será de un año.

La Garantía Limitada cubre la funcionalidad del producto en su uso designado normal, tal y como se especifica en este Manual del Usuario. No cubre ningún mal funcionamiento o daño ocasionado por uso o instalación indebidos o irrazonables, uso del cargador para cargar pilas alcalinas, de equipo auxiliar defectuoso, modificaciones, reparaciones no autorizadas, pérdida o daños ocasionados por el transporte, abuso, accidentes, uso de corriente o voltaje indebidos, subidas de tensión, caída de rayos u otras causas fortuitas, exceso de humedad, uso o desgaste natural, uso comercial o adquisición en representantes no autorizados. Un justificante de compra que demuestre que la unidad fue adquirida en un representante autorizado puede ser requerido para el servicio de garantía. **Contacte por favor con el representante de compra o el distribuidor local para el servicio de garantía o de reparación.**

Por favor, absténgase de abrir o desmontar este producto ya que con ello invalidaría esta Garantía Limitada. En su interior no hay componentes utilizables. Tivoli Audio no pagará los costes incurridos debido a la corrección de problemas en la recepción, eliminación de interferencias o ruidos generados externamente, pérdida de tiempo, inconveniencias, pérdida de utilidad del producto o daños ocasionados por el uso indebido de este producto.

En el caso que el producto sea devuelto durante el período de garantía y reúna los requisitos para el servicio bajo esta Garantía Limitada, lo repararemos o sustituiremos cualquier componente defectuoso en un periodo de tiempo razonable y sin cargo alguno.

ESTA GARANTÍA LIMITADA LE OTORGA UNOS DERECHOS LEGALES ESPECÍFICOS SUJETOS A CONDICIONES ESPECÍFICAS. USTED TAMBIÉN PUEDE TENER OTROS DERECHOS LEGALES APLICABLES AL PRODUCTO QUE HA ADQUIRIDO. ESTOS DERECHOS LEGALES VARÍAN SEGÚN EL PAÍS. ALGUNOS LUGARES NO PERMITEN LA EXCLUSIÓN, RESTRICCIÓN O MODIFICACIÓN DE DETERMINADOS DERECHOS IMPLÍCITOS O SU EFECTO. EN ESAS SITUACIONES ESTA GARANTÍA LIMITADA SE APLICARÁ SÓLO EN LA MEDIDA QUE PERMITA LA LEY APLICABLE.

Las leyes de su país pueden proveerle de reclamaciones legales ante el vendedor o fabricante de este producto. Esta Garantía Limitada no afecta a esos derechos.

Las disposiciones de esta Garantía Limitada son a cambio de cualquier otra garantía o condiciones, excepto las establecidas por la ley. Esta Garantía Limitada no afecta a cualquier derecho legal que le sea conferido por ley y no excluye ningún recurso que usted pueda tener por ley.

Español

En países donde los límites de responsabilidad no están excluidos por ley, la responsabilidad máxima de Tivoli Audio no excederá el importe de compra desembolsado por usted para el producto. En países donde los límites de responsabilidad están excluidos por ley, Tivoli Audio será responsable por no más que de los daños y perjuicios directos, por daños corporales, y/o de propiedad real o personal ocasionados por negligencia de Tivoli Audio.

Donde no esté prohibido por ley, Tivoli Audio no será responsable de daños especiales, adicionales, resultantes o indirectos. Algunos lugares no permiten limitaciones en la exclusión o restricción de desagravio, o la limitación de responsabilidad en valores establecidos, de manera que las limitaciones o exclusiones anteriores pueden no ser aplicables en su caso.

Esta Garantía Limitada queda anulada si la etiqueta que muestra el número de serie ha sido extraída o es ilegible.

Si usted adquirió un contrato de servicio prorrogado de su representante y necesita de servicio una vez expirado el período de esta Garantía Limitada, contacte por favor con el proveedor de su contrato de servicio prorrogado para obtener dicho servicio.

Para su comodidad, usted puede registrar su producto para el servicio de garantía online en nuestro sitio web, www.tivoliaudio.com. No tiene ninguna obligación legal de facilitar información personal. Sin embargo, esta información nos permite mantener un registro de los productos Tivoli Audio adquiridos por usted y entender mejor a los compradores de nuestros productos. La información recogida será utilizada con fines de marketing por Tivoli Audio y, cuando permitido, para contactarle en relación con los productos adquiridos por usted o con otros productos de Tivoli Audio, u otras compañías, que puedan ser de su interés. La información que usted nos facilite puede ser procesada en otro país.

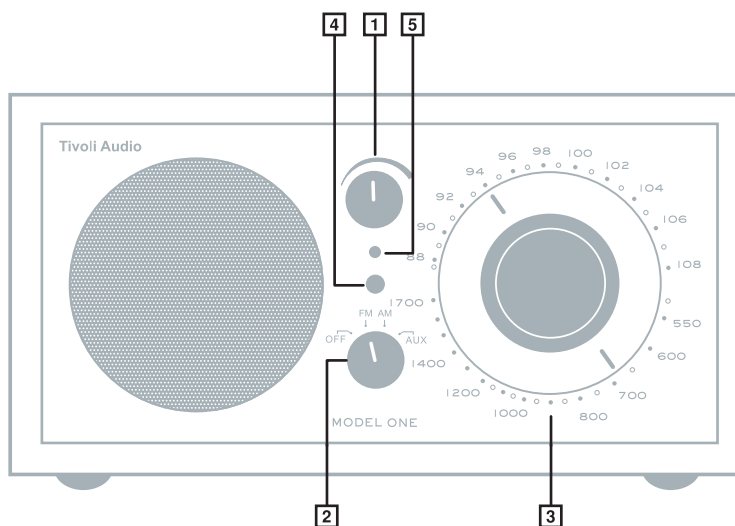
Visite por favor la sección de Preguntas Frecuentes (FAQ) en www.tivoliaudio.com antes de solicitar cualquier servicio de garantía puesto que la información allí disponible puede contestar a sus preguntas o cuestiones de interés.

Para su comodidad, usted puede registrar su producto para la cobertura de garantía online en nuestro sitio web, www.tivoliaudio.com.

Para cualquier servicio/reparación, contacte por favor con su representante o distribuidor local.

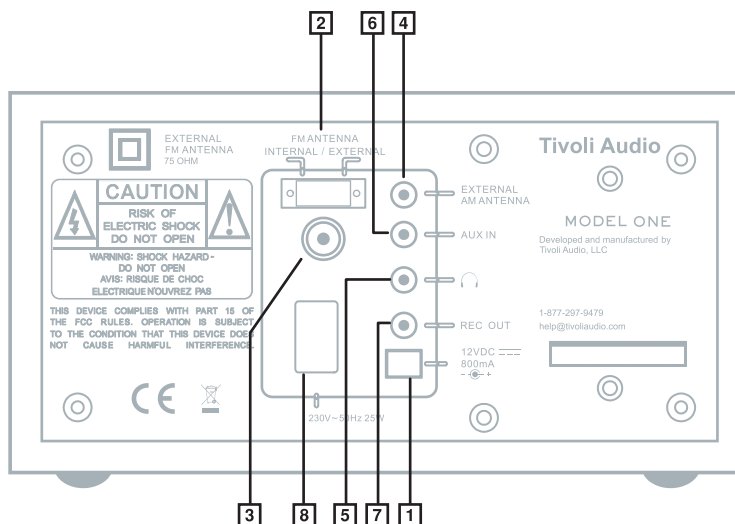


Guide des fonctions: Partie avant



1. **BOUTON DE VOLUME:** Tourner le bouton de volume vers la droite pour augmenter le volume ou vers la gauche pour le réduire. Ce bouton contrôle également la sortie casque.
2. **SÉLECTEUR OFF/FM/AM/AUX:** Tourner ce bouton d'un cran vers la droite pour écouter la FM (Modulation de fréquence), deux crans pour écouter la AM (Ondes moyennes), ou de 3 crans pour l'entrée auxiliaire (Aux).
3. **SYNTONIE:** Tourner le bouton vers la droite ou vers la gauche pour varier la fréquence. L'indicateur de syntonie devient lumineux au maximum lorsque la syntonie est optimale. Certaines stations AM qui ont un signal faible, mais perceptible, ne provoquent pas l'allumage de l'indicateur de syntonie; il faut alors effectuer la syntonie «à l'oreille»
4. **INDICATEUR SYNTONIE**
5. **VOYANT ALIMENTATION**

Guide des fonctions: Partie arrière



1. **12VDC/800mA:** Utiliser cette entrée pour faire fonctionner le Modèle Uno avec une alimentation en c.c.
2. **COMMUTATEUR ANTENNE FM:** Permet de sélectionner l'antenne interne ou l'antenne externe.
3. **CONNECTEUR FM EXTERNE:** Lorsque vous écoutez la bande FM, selon le pays habité, faites glisser le fil d'antenne sur ce connecteur F, ou ajustez la position et l'antenne télescopique. Dans les lieux où le signal FM est fort, la réception générale est améliorée en réduisant la longueur de l'antenne. Lorsque l'appareil n'est pas utilisé ou que l'on écoute des stations en AM, laisser l'antenne en position rentrée pour éviter de l'abîmer accidentellement. Cette antenne n'a aucun effet sur la réception en AM.
4. **CONNECTEUR AM EXTERNE:** Dans certains cas la réception en AM peut être améliorée par l'utilisation d'une antenne externe (non fournie), raccordée sur ce connecteur par l'intermédiaire d'un mini jack 3,5 mm.
5. **SORTIE CASQUE:** Raccorder à ce connecteur une fiche à jack séparée pour le casque pour
6. **AUX IN:** Raccorder une source audio stéréo ou mono (par exemple: un lecteur de CD ou un téléviseur) à cette entrée stéréo.
7. **REC OUT:** Le Modèle Uno peut être utilisé en tant que syntoniseur séparé en accordant la sortie REC OUT à un amplificateur. Cette sortie permet également d'enregistrer en monophonie.
8. **230V:** Raccorder le câble secteur fournie sur ce connecteur. Lorsque vous devez débrancher ce câble saisissez toujours la prise. Nous vous recommandons d'utiliser un boîtier de protection de anti surcharge électrique. N'emmêlez pas le câble secteur avec d'autres câbles audio ou d'antenne, il pourrait en résulter des bruits parasites.

Garantie:

Tivoli Audio fabrique ses produits selon un standard de qualité élevé et nous avons pleine confiance dans les performances de nos produits. En conséquence, nous garantissons ces produits (pièces et main d'oeuvre) contre tout vice caché, pendant un an à compter de la date d'achat au profit de l'acheteur originel. Cette garantie n'est pas transférable.

Cette garantie ne couvre pas les dommages qui pourraient résulter d'une utilisation ou installation inappropriée, de la tentative de charge de piles alcaline, utilisation de d'accessoires non adaptés, de modifications, de tentative de réparation, de dégâts subis pendant le transport, de la perte, de la malveillance, d'accidents, de l'utilisation sur une mauvaise tension, de surtension, de la foudre ou de tout cas de force majeure, de l'usure normale, ou de l'utilisation commerciale. Merci de vous adresser à votre revendeur pour toute réparation. La preuve d'achat peut s'avérer indispensable.

Ne tentez pas d'ouvrir le produit. Aucune pièce ne se trouve à l'intérieur et toute tentative de modification ou de réparation annulerait la garantie.

Tivoli Audio ne prendra pas en charge l'élimination de problèmes de réception, de bruits parasites externes, la perte de temps, la gêne, la non disponibilité du produit ainsi que tout problème résultant d'une mauvaise utilisation.

Si l'Etat ou le Pays où vous avez acheté cet appareil impose des droits complémentaires à la garantie, ceux-ci s'appliquent. Si l'Etat ou le Pays interdisent certaines limitations, ces limitations ne sauraient s'appliquer.

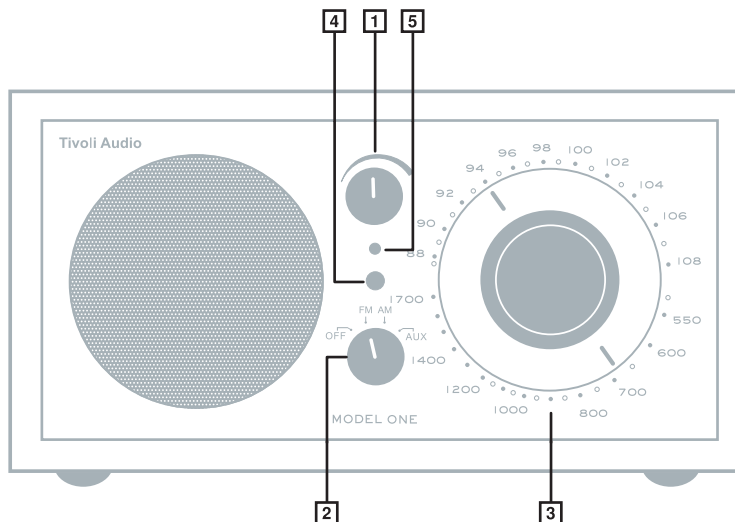
Si vous acquérez une extension de service ou de garantie, celle-ci incombe exclusivement au revendeur auprès de qui vous l'avez souscrite.

Seule votre facture d'achat atteste vos droits à la garantie contractuelle réservée exclusivement à l'acheteur initial, et à la condition que votre appareil ait été acheté auprès d'un revendeur Tivoli Audio agréé par le distributeur officiel du pays d'achat et à la condition que le produit ait été importé régulièrement et ait été soumis à tous les tests, homologations, droits de douane, ou taxes en vigueur.

Vous pouvez valider votre garantie dans les jours qui suivent votre achat sur le site www.tivoliaudio.com, mais cette validation n'est en aucun cas une obligation.

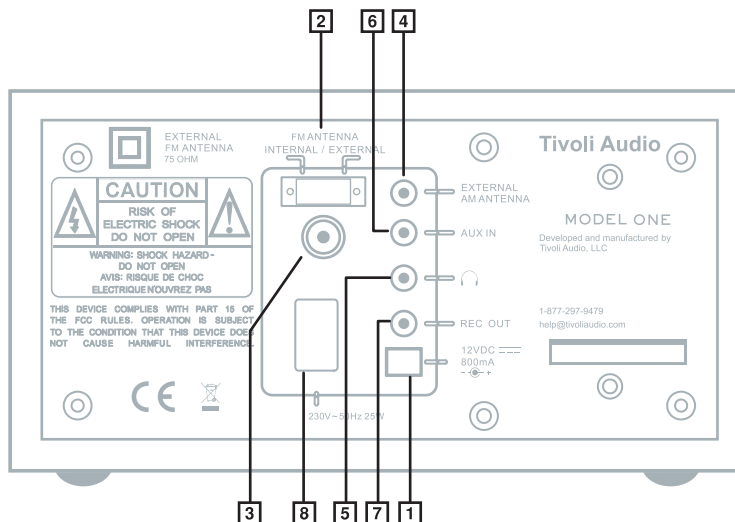


Guida alle funzioni: parte anteriore



1. **CONTROLLO VOLUME:** Ruotare la manopola verso destra per aumentare il volume o verso sinistra per diminuirlo. Questa manopola controlla anche il volume dell'uscita cuffia.
2. **CONTROLLO OFF/FM/AM/AUX:** Ruotate la manopola di uno scatto a destra per ascoltare la banda FM, due scatti a destra per la banda AM, oppure tre scatti a destra per selezionare la sorgente ausiliaria (aux).
3. **SINTONIA:** Ruotare la manopola verso destra o verso sinistra per variare la frequenza. L'indicatore di sintonia assume la massima luminosità quando si ottiene la sintonia ottimale. Alcune stazioni AM dal segnale debole ma comunque percepibile non provocano l'accensione dell'indicatore di sintonia; esse devono essere sintonizzate "a orecchio".
4. **INDICATORE SINTONIA**
5. **SPIA ALIMENTAZIONE**

Guida alle funzioni: parte posteriore



- 12VDC/800mA:** Utilizzare questo ingresso per far funzionare il Modello Uno con alimentazione in c.c.
- SELETTORE ANTENNA FM:** Consente di selezionare l'antenna interna oppure quella esterna.
- PRESA EXTERNAL FM:** Quando si ascolta la banda FM, in dipendenza dalla vostra posizione, inserite l'antenna con cavo nel connettore a "F", o sistemate la posizione dell'antenna telescopica. Nelle località in cui il segnale FM è forte, la ricezione in genere migliora riducendo la lunghezza dell'antenna. Quando l'apparecchio non viene utilizzato o quando si ascoltano stazioni in AM, tenere l'antenna in posizione retratta per evitare che venga danneggiata accidentalmente. Questa antenna non ha alcun effetto sulla ricezione in AM.
- PRESA EXTERNAL AM:** In alcuni casi la ricezione AM può essere migliorata inserendo un'antenna AM esterna (non in dotazione) su questo connettore che accetta un mini-jack maschio da 3,5mm.
- PRESA CUFFIA:** Collegare a questo connettore uno spinotto a jack separato per la cuffia per ascoltare il Modello Uno in cuffia. L'inserimento della cuffia disattiva l'altoparlante principale.
- AUX IN:** Collegare una sorgente audio stereo o mono (per esempio: un riproduttore di CD o un televisore) a questo ingresso stereo.
- REC OUT:** Il Modello Uno può essere utilizzato come sintonizzatore separato collegando l'uscita REC OUT a un amplificatore. È anche possibile registrare in monofonia utilizzando questa uscita.
- 230V:** Collegate il cavo di alimentazione fornito a quest'ingresso. Quando scollegate il cavo di alimentazione dalla presa fatelo sempre afferrandolo dalla spina, non tirate mai il cavo stesso. Vi raccomandiamo di utilizzare una ciabatta con protezione da sovratensioni. Non avvolgete il cavo di alimentazione insieme a quello dell'antenna FM esterna o a quello di qualsiasi altro cavo audio, poiché potrebbe entrare del rumore nel segnale.

Italiano

Garanzia

La Tivoli Audio costruisce i suoi prodotti secondo standard molto alti e siamo sicuri che i nostri prodotti siano molto affidabili. Di conseguenza garantiamo questi prodotti da difetti di fabbricazione nelle parti o nella manodopera per un periodo di un anno dalla data d'acquisto. La garanzia non è trasferibile. La garanzia non copre un eventuale iPod usato con l'apparecchio.

Questa garanzia non copre danni causati da un uso/installazione non adeguato, dall'uso del caricabatteria con batterie alcaline, da apparecchi ausiliari difettosi, da modifiche, riparazioni non autorizzate, danni o furti da spedizione, abusi, incidenti, uso di tensioni d'alimentazione non corrette, scariche di corrente, normale usura o uso commerciale. **Consultate per favore il vostro rivenditore dal quale avete acquistato il prodotto per ottenere il servizio e riparazione in garanzia. E' richiesta l'esibizione della prova d'acquisto.**

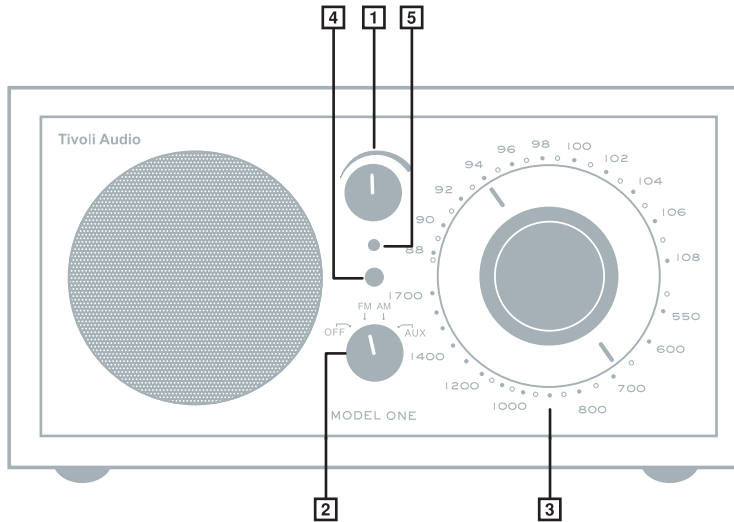
Non smontate l'apparecchio: non vi sono componenti utilizzabili all'interno e qualsiasi tentativo di modificare o riparare l'apparecchio farà decadere la garanzia.

La Tivoli Audio non si ritiene responsabile per costi incorsi nella risoluzione di problemi di ricezione, eliminazione di rumore esterno indotto, perdite di tempo, disturbi arrecati, mancato uso del prodotto o danni causati da un uso non conforme.

Se avete acquistato un prolungamento di garanzia dal vostro rivenditore e si rende necessario un intervento tecnico dopo la scadenza del periodo di garanzia del fabbricante, contattate per favore il rivenditore per ottenere l'assistenza.

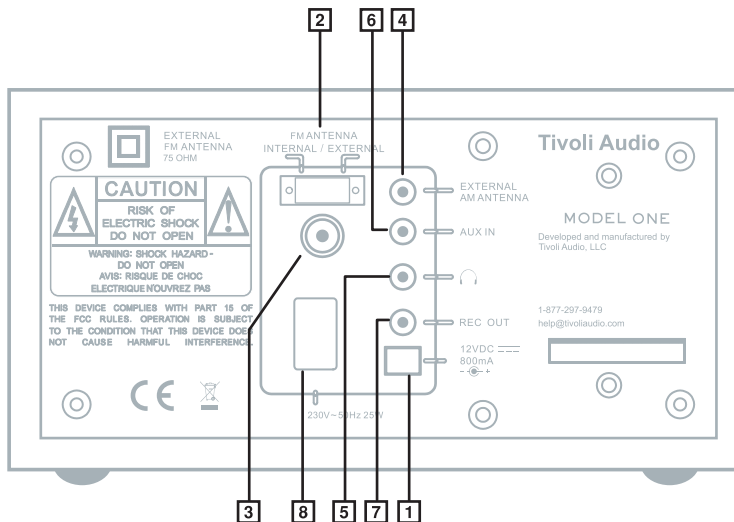


Guia de características: Painel frontal



1. **BOTÃO DE VOLUME:** Gire o botão do volume à direita para aumentar o volume ou à esquerda para diminuir o volume. Este botão igualmente controla o volume da saída dos auscultadores.
2. **BOTÃO OFF/FM/AM/AUX:** Gire o botão um clique para a direita para ouvir FM, dois cliques à direita para ouvir a AM, ou a três cliques à direita para seleccionar a entrada auxiliar.
3. **SINTONIZADOR:** Gire o botão para a direita ou esquerda para seleccionar a frequência pretendida. O indicador de luz âmbar brilhará mais ou menos consoante a sintonia obtida. Em estações de rádio na banda AM de sinal fraco, a luz de côr âmbar não acenderá, facto este que não implica a não captação de sinal.
4. **INDICADOR DE SINTONIA**
5. **LUZ ON/OFF**

Guia de características: Painel traseiro



- 1. 12VDC/800mA:** Utilize esta entrada para operar o Model One através de um transformador de alimentação DC.
- 2. COMUTADOR DE ANTENA FM:** Comutação entre a antena interna e a antena externa.
- 3. CONEXÃO EXTERNA DE FM:** Arme a antena FM telescópica e posicione-a de forma a obter uma melhor recepção de sinal. Em locais de forte recepção de sinal FM reduza o comprimento da antena melhorando assim a recepção de sinal. Quando o aparelho não estiver a ser utilizado ou estiver selecionado a banda AM, mantenha a antena desarmada e protegida. Esta antena não terá qualquer influência na recepção de sinal AM. Para mais, veja a secção marcada como Recepção.
- 4. CONEXÃO DO EXTERNAL AM:** Em alguns casos, a recepção do AM pode ser melhorada conectando uma antena do AM no external (não incluída), que aceita um mini conector 1/8" estereofónico masculino. Para mais, veja a secção marcada como Recepção.
- 5. SAIDA PARA AUSCULTADORES:** Ligue um par de auscultadores a esta saída para uma audição privada. Ao ligar os auscultadores o altifalante do Model One será desligado.
- 6. AUX IN:** Ligue uma fonte estéreo ou mono (Leitor de CDs portátil, computador etc...)a esta entrada.
- 7. REC OUT:** O Model One poderá ser usado como um sintonizador em separado, se for ligado pela sua saída de gravação a um amplificador. Poderá também gravar em mono usando a saída referida.
- 8. 230V:** Conecte o cabo de alimentação incluído a esta entrada. Ao desconectar o cabo de alimentação da tomada de parede, agarre-a sempre pela ficha. Nós recomendamos usar uma extensão com protecção de pico. Ao desconectar o cabo de alimentação, agarre sempre no conector. Nunca puxe no próprio cabo. Não embrulhe o cabo de alimentação junto com a antena externa de FM ou nenhuma cabos do áudio, isso pode injectar o ruído no sinal de áudio.

DECLARATION OF CONFORMITY

Application of Council Directive(s): EMC Directive 89/336/CEE and 73/72 for CE
Marking Standard(s) to which conformity is declared

EN55013(2001)
EN55020(2002)
EN61000-3-2(2000)
EN61000-3-3(1995)+A1(2001)
EN60065(1999)

Date of Tests: 14/12/2001, 23/11/2004 (DD/MM/YYYY)
Report/Certificate Nos: 01.406 and 04.282
CE Tester Company: Prima Ricerca & Sviluppo, Italy
Test Result: The EMC testing was performed on the submitted samples and found in compliance with council EMC Directive 89/336/CEE and 73/72.

Manufacturer/Applicant name: Tivoli Audio, LLC
Manufacturer's Address: One Broadway, Suite 600, Cambridge, MA 02142 USA

Importer's Name:

Importer's Address:

Type of Equipment: Mono AM/FM Analog Table Radio

Manufacturer's model code: M1BLU, M1GRN, M1WHT, M1CLA, M1BLK, M1SLB,
M1PIANO, M1DKCLA, M1SLC, M1BBS, M1MPLBLK.

Importer's Brand name: Tivoli Audio Model One.
Importer's model code: Same as Manufacturer's model code.

Year of manufacture: 2000

I undersigned, hereby declare that the equipments specified above are manufactured by our company, Tivoli Audio, LLC and confirmed by above Directive(s) and Standard(s).

Date: November 30, 2006



Authorized Signature

Peter Christopher Skiera
Authorized Full Name

Senior Product Manager
Position

This manual was written by Peter Skiera and cannot be reproduced in whole or in part without the permission of Tivoli Audio. The information included in this owner's manual was accurate at the time of printing. Tivoli Audio shall not be held liable for operational, technical, or editorial errors/omissions. Visit our web site for the latest version of user manuals.

For more information about other exciting products from Tivoli Audio, please visit our website or contact us directly (in English):

Tivoli Audio, LLC
Seaport Center
70 Fargo Street, Suite 900
Boston, MA 02210 USA
1.877.297.9479
www.tivoliaudio.com
help@tivoliaudio.com

M1ACE100411

Tivoli Audio[™]