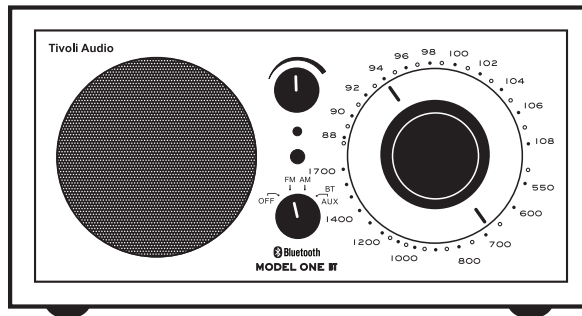


MODEL ONE™ BT

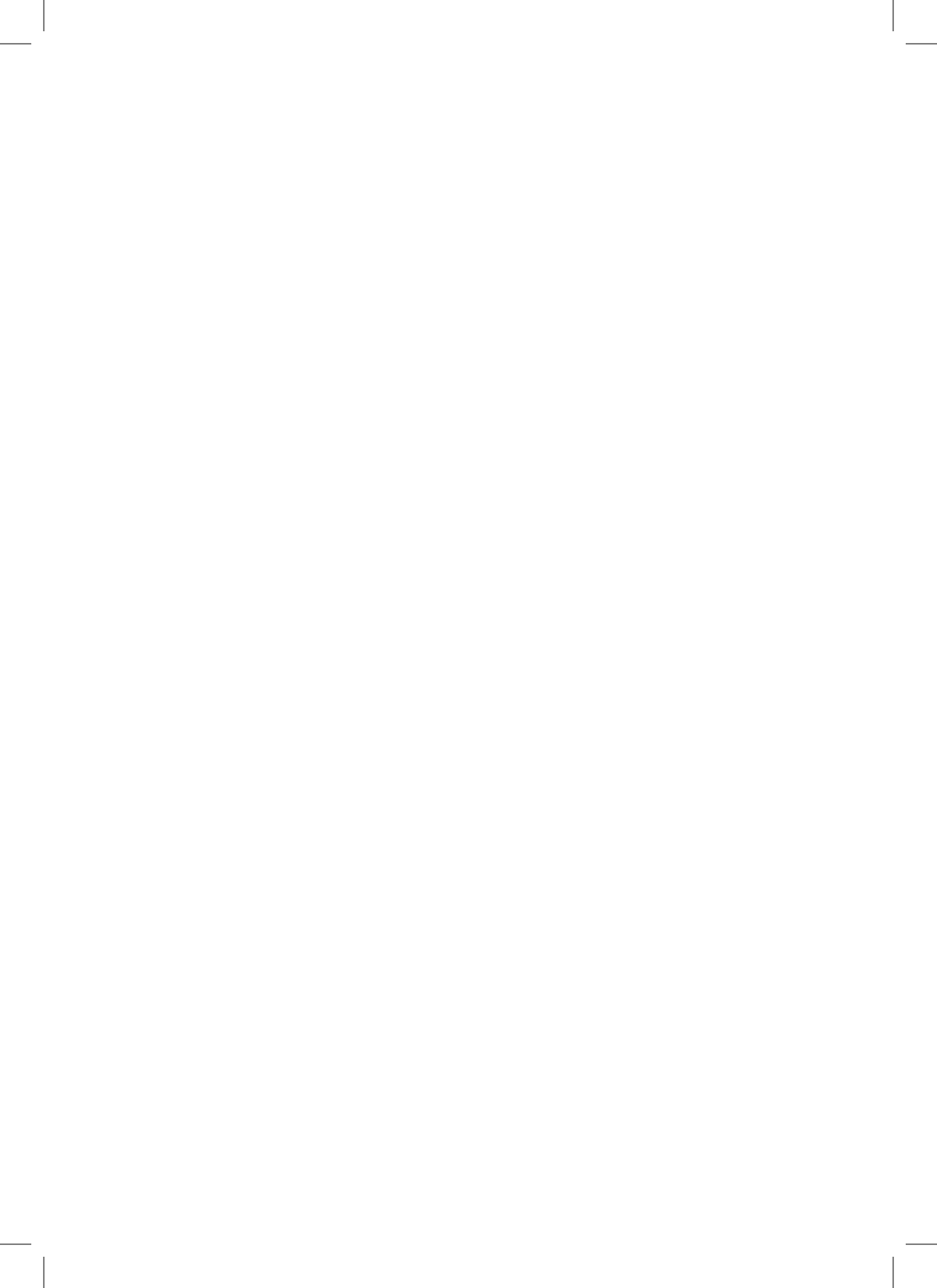
AM/FM RADIO

 Bluetooth®

OWNER'S MANUAL



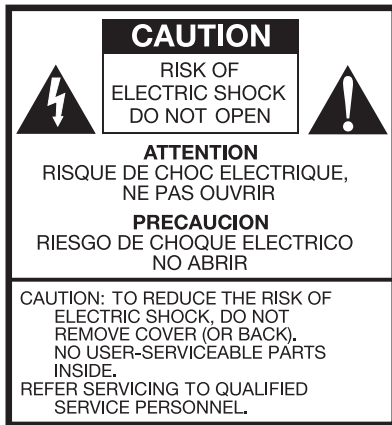
Tivoli Audio™



MODEL ONE BT

AM/FM RADIO

English	04
Dansk	13
Deutsch	22
Español.....	31
Français.....	40
Italiano	49
Nederlands	58
Norsk	67
Suomi	76
Svenska	85



This symbol is intended to alert the user to the presence of uninsulated “dangerous voltage” within the product’s enclosure that may be of sufficient magnitude to constitute a risk of electric shock to persons.



This symbol is intended to alert the user to the presence of important operating and maintenance (servicing) instructions in the literature accompanying the appliance.

Important Safety Instructions

1. Read these instructions.
2. Keep these instructions.
3. Heed all warnings.
4. Follow all instructions.
5. WARNING – To reduce the risk of fire or electric shock, do not expose this apparatus to rain or moisture.
6. Clean only with dry cloth.
7. Do not block any ventilation openings. Install in accordance with the manufacturer’s instructions.
8. Do not install near any heat sources such as radiators, heat registers, stoves, or other apparatus (including amplifiers) that produce heat.
9. Do not defeat the safety purpose of the polarized or grounding-type plug. A polarized plug has two blades with one wider than the other. A grounding type plug has two blades and a third grounding prong. The wide blade or the third prong are provided for your safety. If the provided plug does not fit into your outlet, consult an electrician for replacement of the obsolete outlet.
10. Protect the power cord from being walked on or pinched particularly at plugs, convenience receptacles, and the point where they exit from the apparatus.
11. Only use attachments/accessories specified by the manufacturer.
12. Use only with the cart, stand, tripod, bracket, or table specified by the manufacturer, or sold with the apparatus. When a cart is used, use caution when moving the cart/apparatus combination to avoid injury from tip-over.
13. Unplug this apparatus during lightning storms or when unused for long periods of time.
14. Operate this product only from the type of power source indicated on the rear panel. For products using an external power supply, use an exact replacement if lost or damaged. For products operating from battery power, refer to the user manual.



15. Unplug this product from the wall outlet and refer servicing to qualified service personnel under the following conditions:
 - a. When the power supply cord or plug is damaged
 - b. If liquid has been spilled or objects have fallen into the product.
 - c. If the product has been exposed to water or rain.
 - d. If the product does not operate normally by following the operating instructions.
 - e. If the product has been dropped or damaged in any way.
 - f. When the product exhibits a distinctive change in performance.
16. When replacement parts are required, be sure your service technician has used replacement parts specified by the manufacturer or have the same characteristics as the original part. Unauthorized substitutions may result in fire, electric shock, or other hazards.
17. Upon completion of any service, ask the service technician to perform safety checks to confirm the product is in proper operating condition.
18. Apparatus shall not be exposed to dripping or splashing and no objects filled with liquids, such as vases, shall be placed on the apparatus.
19. The recommended operating temperature range is 5°C to 40°C (41°F -104°F).
20. The 12 VDC input is suited for operating this product in a boat or camper using an optional 12 VDC, 1 A fused adapter.
21. Keep this product a safe distance away from naked flame, such as a lit candle.
22. WARNING – The mains are not disconnected in the off position, but the circuits are de-powered.
23. Canada complies with RSS210, ICES-003.
24. The power cord plug serves as the disconnect device and should remain readily accessible.



WARNING: THE AFFIXED MODEL ONE BT ANTENNA IS NOT INTENDED TO BE DETACHED.



This product can be recycled. Products bearing this symbol must NOT be thrown away with normal household waste. At the end of the product's life, take it to a collection point designated for recycling of electrical and electronic devices. Find out more about return and collection points through your local authority.

The European Waste Electrical and Electronic Equipment (WEEE) Directive was implemented to dramatically reduce the amount of waste going to landfills, thereby reducing the environmental impact on the planet and on human health. Please act responsibly by recycling used products. If this product is still useable, consider giving it away or selling it.

Model One BT Instructions

Congratulations on your purchase of the Model One BT table radio. We believe the Model One BT to be one of the finest mono analog table radios on the market today. With the addition of *Bluetooth* wireless technology, you can stream your music wirelessly to the Model One BT.

We know you are eager to use your new radio, but please take a moment to read this owner's manual and Safety Instructions. If you have any questions, please do not hesitate to contact your dealer or Tivoli Audio.

Please save the carton and original packing should you ever need to ship your radio, as shipping damage is not covered by the factory warranty.

On behalf of all of us, thank you for choosing Tivoli Audio and enjoy your new Model One BT radio.

About Tivoli Audio

Tivoli Audio was founded by Tom DeVesto with the mission of bringing simple to use, elegantly designed, high quality audio products to consumers. As CEO and head of research and development at his former company, Cambridge SoundWorks*, Tom was responsible for the development of many of the best selling home entertainment and multi-media products on the market. He also held senior management positions in product development at both Advent and Kloss Video.

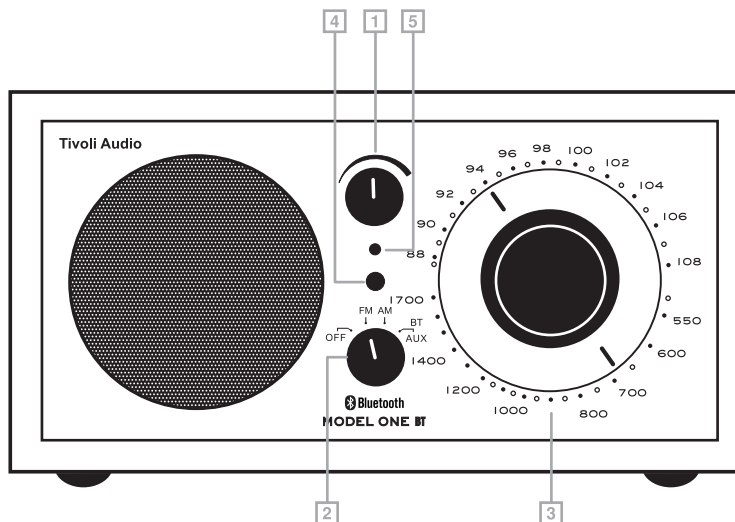
*Cambridge SoundWorks is a registered trademark of Creative Labs, Singapore.

Packed with your Model One BT you should find one each:

- One (1) each 2.7 m (9 foot) Power Cord
- One (1) FM wire antenna OR one (1) attached FM telescoping antenna (depending on country)

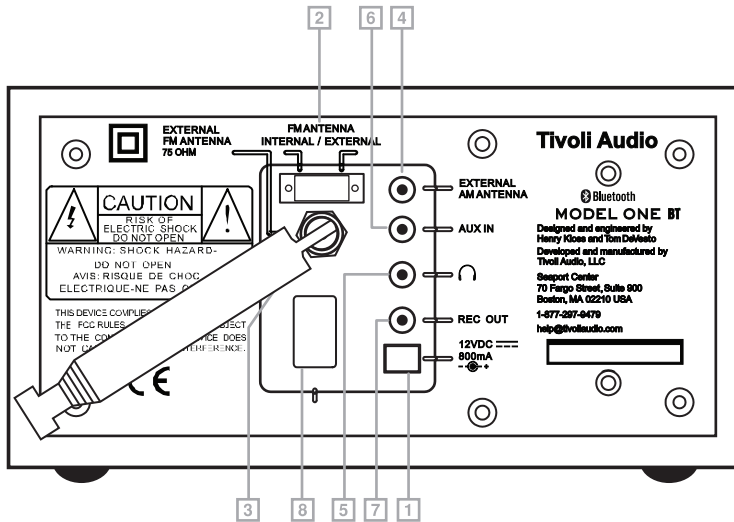
Please contact your dealer or Tivoli Audio if any of these items are missing.

Guide to Features (Front)



1. **VOLUME KNOB:** Rotate the volume knob to the right to increase the volume or to the left to decrease the volume. This knob also controls the volume of the headphone output.
2. **OFF/FM/AM/AUX KNOB:** Turn the knob one click to the right to hear the FM band, two clicks to the right to hear the AM band, or three clicks to the right to select the auxiliary input. To activate *Bluetooth*, switch to the Auxiliary position and follow the steps outlined in the “*Bluetooth Operation*” section.
3. **TUNING KNOB:** Rotate the analog tuning dial to the right or to the left to adjust the FM (upper half of dial) or AM (lower half of dial) frequency range.
4. **TUNING INDICATOR:** Brightest when best tuning has been achieved. Some listenable AM stations will not light the tuning indicator and should be tuned by ear for the clearest signal. This light may or may not remain lit when in the AUX position depending upon the position of the AM dial.
5. **POWER INDICATOR:** Glows when the source knob is in any position other than Off.

Guide to Features (Rear Panel)



- 1. 12VDC/800mA:** This input is for use with an optional 1A fused, 12VDC adapter, for operation in a boat or camper. The connector must be 5.5mm/2.1mm center positive.
- 2. FM ANTENNA SWITCH:** Switch between internal and external FM antennas. This switch has no affect on AM reception. In some cases, FM reception may be improved by setting this antenna switch to External.
- 3. EXTERNAL FM CONNECTION:** When listening to FM, depending on your country, slide the included wire antenna over this F connector, or adjust this telescoping antenna and position it for best reception. In strong FM signal locations, reducing the antenna's length may provide better reception. When the unit is not in use or when listening to AM, keep the antenna retracted to protect it. This antenna has no affect on AM reception. For more, see the section marked "Reception".
- 4. EXTERNAL AM CONNECTION:** In some cases, AM reception may be improved by connecting an external AM antenna (not included) to this jack, which accepts a 3.5mm male stereo mini connector. For more, see the section marked Reception.
- 5. HEADPHONE OUT:** Connect a headset (not included) to this variable stereo output for private listening. The headset will mute the primary speaker. The headset's volume is adjusted using the volume knob. This stereo output accepts a 3.5mm stereo male mini connector. Avoid using headphones at high volume levels to prevent possible hearing damage.
- 6. AUX IN:** To hear audio from another device, such as a CD player, MP3 player, or computer, connect said device's audio output to this stereo input and switch the front source knob to Aux. Switching to the Aux position does not turn on the connected device. This stereo input accepts a 3.5mm stereo male mini connector. The left and right stereo signal is summed to mono. The AUX IN jack is unavailable when a *Bluetooth* device is connected. You must first disconnect any *Bluetooth* device to use the wired AUX IN function.

NOTE: You may need to adjust the volume level differently for an auxiliary device than the level used for radio listening.

7. **REC OUT:** You can record from the Model One BT radio by connecting a cassette deck's audio input (or other recording device) to this fixed level stereo output. You can also use the Model One BT radio as a high performance analog tuner by connecting it to the audio input of a preamplifier or integrated amplifier. The primary speaker will not be muted when using this output. This jack accepts a 3.5mm stereo male mini connector.
8. **AC INPUT:** Connect the included power cord to this input. When unplugging the power cord from the wall outlet, always grab it by the plug. We recommend using a powerstrip with surge protection. When disconnecting the power cord, always grasp it firmly at the connector. Never pull on the cord itself. Do not bundle the power cord together with the external FM antenna or any audio cables, as this can inject noise in the audio path.

Bluetooth Operation

Prior to pairing, verify your device supports *Bluetooth* 2.1+EDR A2DP and your device is not connected to any other *Bluetooth* product. Devices may pair differently. Below is a general guide.

1. Turn on the Model One BT to the Auxiliary position. This will power on the *Bluetooth*. Turn the volume up about $\frac{1}{4}$ to start. Also turn up the volume on the source device (the device you are streaming from).
2. Turn on the *Bluetooth* wireless technology on your enabled device.
3. Select "Tivoli *Bluetooth* (Not Paired)" when it appears on your device's screen to initiate searching. Some devices may prompt you for a PIN. If so, enter "0000". "Tivoli *Bluetooth*" will change from "Not Paired" to "Connected".
4. You will hear a ring tone from the Model One BT confirming connection and you can begin playing your music files wirelessly. Adjust the volume level on your device. You should not have to pair your device again. **Depending on your device, you may need to make multiple attempts at Pairing and/or Connecting to the Model One BT, but please give your device adequate time to Pair or Connect before repeating the process.**

Pairing A Bluetooth Wireless Technology Enabled iPhone/iPod Touch/iPad

1. Turn on the Model One BT to the Auxiliary position. This will power on the *Bluetooth*. Turn the volume up about $\frac{1}{4}$ to start. Also turn up the volume on the source device (the device you are streaming from).
2. Select "Settings" (depending on software version).
3. Select "General".
4. Select "*Bluetooth*".
5. Switch *Bluetooth* "On" to initiate searching.
6. Select "Tivoli *Bluetooth* (Not Paired)" when it appears on the display. If you are prompted to enter a PIN, enter "0000". "Tivoli *Bluetooth*" will change from "Not Paired" to "Connected".
7. You will hear a ring tone from the Model One BT and you can begin playing your music files wirelessly. Adjust the volume level on your device. You should not have to pair your iPhone/iPod/iPad again.

The volume output level of music files varies. If you prefer an even higher output level, check the settings in your iPhone/iPod touch/iPad: Set the EQ Off, the SoundCheck Off, and the Volume limit Off.

If you encounter a problem Pairing, press the small arrow to the right of “Tivoli *Bluetooth*” on your iPhone/iPod touch/iPad display and select “Forget this Device”, then repeat the Pairing process. **Depending on your device, you may need to make multiple attempts at Pairing and/or Connecting to the Model One BT, but please give your device adequate time to Pair or Connect before repeating the process.**

When streaming music, you can press the blue arrow to the right of the next track button >>/ on the iPhone/iPod touch/iPad display to alternate between the iPhone/iPod/iPad and *Bluetooth*.

- The Model One BT will remember pairing information for up to 8 devices. Additional devices can be paired, but the least-recently used device will be replaced by the newly paired device.
- If the audio drops out or stops during playback, move your device closer to the Model One BT, or check to be sure another wireless device is not interfering with the signal.
- When switching from *Bluetooth* to AM or FM, you may need to re-adjust (lower) the radio’s volume level.

Reception

The internal FM and AM antennas will provide good reception. Buildings made with concrete, steel, or aluminum siding will hinder reception. Household appliances, electric blankets, computers, CD players, and other electronic devices can also adversely affect reception or inject noise. If you experience this, move the Model One BT radio further from the offending device or plug it into an electrical outlet not shared by another device. Metal surfaces may also hinder AM reception.

Placement

Place the unit on a flat, stable surface. Do not block the bottom bass port. The Model One BT radio is not video shielded and should be kept at least 12.7 cm away from a computer monitor or television. The Model One BT radio can be positioned vertically as well as horizontally. Placement in a bookcase, cabinet, or close to walls or corners may inflate the bass.

Cleaning

Never use any harsh cleansers or solvents on your radio. Avoid spray-on waxes. Unplug the Model One BT radio prior to cleaning. The face may be cleaned with a slightly damp, soft cloth. Painting or staining the wood cabinet will void your warranty.

NOTE: Tivoli Audio cabinets use real wood veneers. Since natural wood varies greatly, it is not possible to achieve an exact wood color/grain match between models. You may also notice the wood darken over time with exposure to sunlight. Again, this is normal for real wood.

Limited Warranty

Tivoli Audio manufactures its products to very high standards and we are confident our products will perform well. Accordingly, we provide a limited warranty on this product against manufacturing defects in material and workmanship to the original owner. This warranty is non-transferable.

Products purchased in the European Union and Norway have a minimum warranty term of two years. For countries where minimum warranty terms are determined by statute, the warranty term is the statutory period required. In all other locations, the warranty term is one year.

This Limited Warranty covers the functionality of the product for its normal, intended use as specified in this Owner's Manual. It does not cover a malfunction or damage that has resulted from improper or unreasonable use or installation, using the charger to charge alkaline batteries, faulty ancillary equipment, modifications, unauthorized repair, shipping damage or loss, abuse, accidents, use on improper voltage/current, power surges, lightning or other acts of God, excess moisture, normal wear and tear, commercial use, or purchase from unauthorized dealers. Proof of purchase as evidence the unit was purchased from an authorized dealer may be required for warranty service.

Please contact the dealer of purchase or local distributor for warranty service or repair.

Please refrain from opening this product or taking it apart as doing so will void this Limited Warranty. There are no user serviceable parts inside. Tivoli Audio will not pay for costs incurred due to correction of reception problems, elimination of externally generated static/noise, loss of time, inconvenience, loss of use of product, or damage caused by improper use of this product.

In the event the product is returned during the warranty term and is eligible for service under this Limited Warranty, we will repair or replace any defective parts within a reasonable period of time and free of charge.

THIS LIMITED WARRANTY GIVES YOU SPECIFIC LEGAL RIGHTS SUBJECT TO SPECIFIED CONDITIONS. YOU MAY ALSO HAVE OTHER LEGAL RIGHTS WHICH APPLY TO THE PRODUCT YOU HAVE ACQUIRED. THESE LEGAL RIGHTS VARY FROM COUNTRY TO COUNTRY. SOME PLACES DO NOT ALLOW THE EXCLUSION, RESTRICTION, OR MODIFICATION OF CERTAIN IMPLIED RIGHTS OR THEIR EFFECT. IN THOSE SITUATIONS THIS LIMITED WARRANTY WILL ONLY APPLY TO THE EXTENT THAT THE APPLICABLE LAW ALLOWS.

The laws of your country may provide you with legal claims against the seller or manufacturer of this product. This Limited Warranty does not affect those rights.

The provisions of the Limited Warranty are in lieu of any other warranties or conditions, except those provided by law. This Limited Warranty does not affect any legal rights provided to you by law and does not preclude any remedy you may have under law.

In countries where liability limits are not precluded by statute, the maximum liability of Tivoli Audio shall not exceed the purchase price paid by you for the product. In countries where limitations of liability are precluded by law, Tivoli Audio shall be liable for no more than the direct damages for bodily injury, and/or real or personal property arising from the negligence of Tivoli Audio.

Where not prohibited by law, Tivoli Audio shall not be liable for special, incidental, consequential, or indirect damages. Some places do not allow limitations on the exclusion or limitation of relief, special, incidental, consequential or indirect damages, or the limitation of liability to specified amounts, so the above limitations or exclusions may not apply to you.

This Limited Warranty is void if the label bearing the serial number has been removed or defaced.

If you purchased an extended service contract from your dealer and service is required after the term of this Limited Warranty has expired, please contact your extended service contract provider to obtain service.

For your convenience, you may register your product for warranty service online at our website www.tivoliaudio.com. There is no legal obligation for you to provide personal information. However, such information allows us to maintain a record of the Tivoli Audio products acquired by you and better understand the purchasers of our products. The information collected will be used for marketing purposes by Tivoli Audio and, where permitted, to contact you in relation to the products you have acquired or other products which might be of interest to you from Tivoli Audio or other companies. The information that you provide may be processed in another country.

Specifications

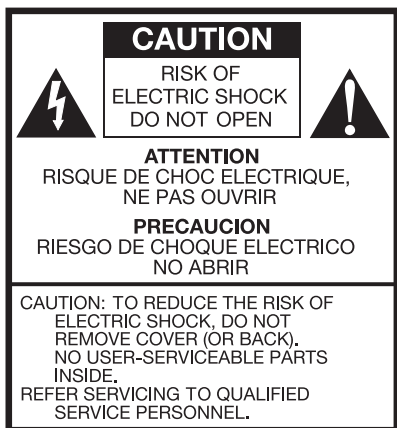
Model:	Tivoli Audio® Model One® BT
Type:	AM/FM analog mono table radio with <i>Bluetooth</i> wireless technology
Driver:	One 76.2 mm (3") full-range driver
Dimensions:	21.3 cm W x 11.4 cm H x 13.3 cm D (8.375" W x 4.5" H x 5.25" D)
Weight:	1.88 kg (4.14 lbs)

Specifications subject to change without notice.

Tivoli Audio reserves the right to make product changes without notice.

Tivoli Audio, the Tivoli Audio logo, and Model One BT are trademarks of Tivoli Audio, LLC. The *Bluetooth* word mark and logos are registered trademarks owned by Bluetooth SIG, Inc. and any use of such marks by Tivoli Audio is under license. iPod, iPod touch, iPhone, and iPad are trademarks of Apple Inc., registered in the U.S. and other countries. Other trademarks and trade names are those of their respective owners.





Dette symbol har til formål at gøre opmærksom på, at der inde i dette produkt forekommer steder med uisoleret strøm, og som følge deraf kan forårsage alvorlig elektrisk stød ved berøring.



Dette symbol har til formål at gøre opmærksom på, at der i brugervejledning til dette produkt er nøje specificeret, hvordan produktet skal anvendes og serviceres såfremt der opstår fejl.

Vigtige Sikkerhedsinstrukser

1. Læs disse instrukser.
2. Gem disse instrukser.
3. Lyt til alle advarsler.
4. Følg alle instrukser.
5. ADVARSEL – For at nedsætte risikoen for brand eller elektrisk chok, må dette apparat ikke udsættes for regn eller fugt.
6. Rengøres kun med en tør klud.
7. Bloker ikke ventilationsåbninger. Installer i overensstemmelse med fabrikantens instrukser.
8. Må ikke installeres nær andre varmekilder så som radiatorer, varmeriste, ovne eller andre apparater (inklusive forstærkere) som producerer varme.
9. Omgå ikke sikkerhedsformålet med et polariseret eller jordforbindelsesstik. Et polariseret stik har to blade og det ene blad er bredere end det andet. Et jordforbindelsesstik har to blade og et tredje jordforbindelsesben. Det brede blad på det tredje ben er der for din sikkerhedsskyld. Hvis det medførende stik ikke passer ind i din stikkontakt, bedes du kontakte en elektriker for at udskifte den forældede stikkontakt.
10. Beskyt strømkablet så man ikke kan træde på det eller klemme det især ved stik, stikdåser og der hvor de er tilsluttet apparatet.
11. Brug kun de vedhæftelser/tilbehør som fabrikanten har specificeret.
12. Må kun bruges sammen med det rullebord, den stand, det stativ, det beslag eller bord som fabrikanten har specificeret, eller som blev solgt sammen med apparatet. Når man bruger et rullebord skal man være forsigtig, når man flytter apparatet på rullebordet, så man undgår skade hvis det tipper.
13. Træk stikket ud på apparatet i tordenvej eller hvis det ikke bruges i længere tid.
14. Brug kun dette produkt fra den type strømkilde, som er indikeret på bagpanelet. For produkter som bruger en ekstern strømforsyning skal man erstatte den med en identisk strømforsyning, hvis den forsvinder eller beskadiges. For produkter som bruger batteristrøm henvises til brugermanualen.



15. Træk produktet ud af stikkontakten og kontakt en kvalificeret servicetekniker for service i følgende tilfælde:
 - a. Hvis strømkablet eller stikket er beskadiget.
 - b. Hvis der er spildt væske eller hvis der er kommet noget i produktet.
 - c. Hvis produktet er blevet udsat for vand eller regn.
 - d. Hvis produktet ikke fungerer normalt, når man følger brugsanvisningerne.
 - e. Hvis man har tabt produktet, eller det på nogen måde er blevet beskadiget.
 - f. Når produktets performance ændrer sig i betydelig grad.
16. Når det er nødvendigt at bruge reservedele, skal du sørge for at serviceteknikeren bruger de reservedele, som fabrikanten specificerer eller at de har samme karakteristika som den originale del. Uautoriserede erstatninger kan forårsage brand, elektrisk chok eller andre farer.
17. Når der er blevet udført service, skal du bede serviceteknikeren om at udføre sikkerhedstjek for at bekræfte at produktet fungerer korrekt.
18. Apparatet må ikke udsættes for dryp eller stænk og ting der er fyldt med væske, så som en vase, må ikke stilles på apparatet.
19. Den anbefalede temperatur for brug er mellem 5°C og 40°C (41°F - 104°F).
20. 12 VDC inputtet er passende hvis man bruger dette produkt i en båd eller campingvogn ved at benytte en valgfri 12 VDC, 1 A sikringsadapter.
21. Hold sikker afstand mellem dette produkt og åben ild så som et tændt stearinlys.
22. ADVARSEL – Forsyningsnettet er ikke frasluttet, når det står på "off", men der er ingen strøm i kredsløbene.
23. Canada overholder RSS210, ICES-003.
24. Stikket på strømkablet fungerer som en fraslutningsanordning og skal altid være let tilgængelig.

 **ADVARSEL: DEN PÅMONTEREDE MODEL ONE BT ANTENNE ER IKKE BEREGNET TIL AT BLIVE TAGET AF.**



Dette produkt kan genbruges. Produkter med dette symbol må IKKE smides væk sammen med almindeligt husholdningsaffald. Når du vil smide produktet ud, bedes du tage det til et indsamlingssted for genbrug af elektriske og elektroniske anordninger. Få mere information om steder for returnering og indsamling hos din lokale myndighed.

Det europæiske direktiv om affald af elektrisk og elektronisk udstyr (WEEE) blev implementeret for at stærkt nedsætte mængden af affald som ender på i lodsepladsen og derved nedsætte den miljømæssige påvirkning på jorden og på menneskers helbred. Udvis venligst ansvarlighed ved at genbruge brugte produkter. Hvis dette produkt stadig kan bruges, bedes du overveje at forære det væk eller sælge det.

Model One BT Instrukser

Tillykke med købet af en Model One BT bordradio. Vi mener, Model One BT er en af de bedste mono analoge bordradioer der findes på markedet. Med tilføjelsen af *Bluetooth* trådløs teknologi kan du trådløst streame din musik til din Model One BT.

Vi ved du er spændt på at bruge din nye radio, men brug venligst et øjeblik på at gennemlæse denne ejermanual og sikkerhedsinstrukserne. Hvis du har spørgsmål bedes du straks kontakte din forhandler eller Tivoli Audio.

Gem venligst æsken og den originale indpakningen hvis det skulle blive nødvendigt at sende din radio til os, da skade under forsendelse ikke dækkes af fabriksgarantien.

På vegne af os allesammen takker vi dig for at vælge Tivoli Audio og nyd din nye Model One BT radio.

Om Tivoli Audio

Tivoli Audio blev startet af Tom DeVesto som havde en mission om at bringe brugervenlige og elegant designede audioprodukter af høj kvalitet til forbrugerne. Som administrerende direktør og chef for forskning og udvikling på hans tidligere arbejdsplads, Cambridge SoundWorks*, var Tom ansvarlig for at udvikle mange af de home entertainment og multimedie produkter, der sælger bedst på markedet. Han arbejdede også i topledelsesstillinger indenfor produktudvikling hos både Advent and Kloss Video.

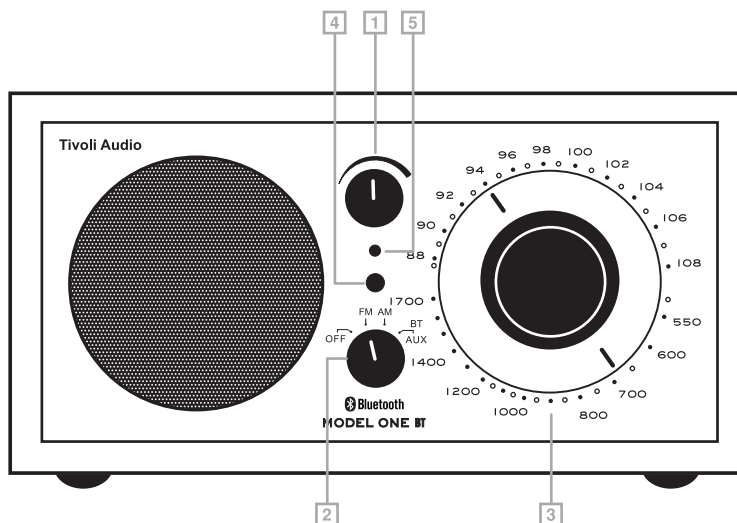
*Cambridge SoundWorks er et registreret varemærke tilhørende Creative Labs, Singapore.

Sammen med din Model One BT finder du en af hver:

- Et (1) hver 2,7 m (9 fods) Strømkabel
- En (1) FM ledningsantenne ELLER en (1) fastgjort FM teleskopantenne (anhængigt af dit land)

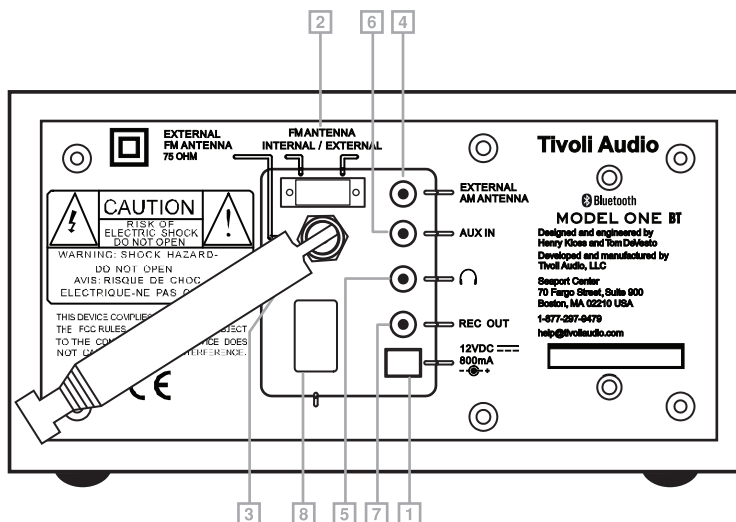
Kontakt venligst din forhandler eller Tivoli Audio hvis du mangler nogen af disse ting.

Guide Til Features (Forside)



1. **LYDKNAP:** Drej lydknappen til højre for at skrue op for lyden eller til venstre for at skrue ned for lyden. Denne knap kontrollerer også lydstyrken i dine hovedtelefoners output.
2. **OFF/FM/AM/AUX KNAPE:** Drej knappen et klik til højre for at lytte til FM båndet, to klik til højre for at lytte til AM båndet, eller tre klik til højre for at vælge aux input. For at aktivere *Bluetooth*, skifter du til Aux positionen og følger de trin der er beskrevet i sektionen for "*Bluetooth brug*".
3. **INDSTILLINGSKNAPE:** Drej den analoge indstillingsknap til højre eller venstre for at justere FM (øvre halvdel af knappen) eller AM (nedre halvdel af knappen) frekvensrækkevidden.
4. **INDSTILLINGSINDIKATOR:** Lyser mest når den bedste indstilling er opnået. Nogle hørbare AM stationer vil ikke få indstillingsindikatoren til at lyse, så man skal lytte sig frem for at indstille det klareste signal. Dette lys kan forblive tændt eller ej i AUX positionen afhængigt af AM knappens position.
5. **STRØMINDIKATOR:** Lyser når kildeknappen er i enhver anden position end Off.

Guide Til Features (Bagpanel)



1. **12VDC/800mA:** Dette input bruges sammen med en valgfri 1A, 12VDC sikringsadapter, ved brug i en båd eller campingvogn. Konnektoren skal være 5,5 mm/2,1 mm center positiv.
2. **FM ANTENNESKIFT:** Skift mellem interne og eksterne FM antenner. Dette skift påvirker ikke AM modtagelsen. I nogle tilfælde kan FM modtagelsen forbedres ved at indstille dette antenneskift til Eksternt.
3. **EKSTERN FM TILSLUTNING:** Når du lytter til FM, afhængigt af land, skubber du enten den medfølgende ledningsantenne over denne F konnektor, eller også justerer du denne teleskopantenne indtil du finder den bedste modtagelse. På steder hvor FM signalet er stærkt kan det give bedre modtagelse at forkorte antennens længde. Når du ikke bruger enheden, eller når du lytter til AM, kan du beskytte antennen ved at trække den ind. Denne antenne påvirker ikke AM modtagelsen. For flere oplysninger, se sektionen om "Modtagelse".
4. **EKSTERN AM TILSLUTNING:** I nogle tilfælde kan AM modtagelsen forbedres ved at tilslutte en ekstern AM antenne (medfølger ikke) til dette stik, som accepterer en 3,5mm han stereo mini konnektor. For flere oplysninger, se sektionen om Modtagelse.
5. **HOVEDTELEFON OUT:** Tilslut et headset (medfølger ikke) til dette variable stereo output for at lytte i fred. Dit headset vil mute din primære højttaler. Lydstyrken på dit headset justeres ved at bruge lydstyrkeknappen. Dette stereo output accepterer en 3,5mm stereo han mini konnektor. Aux In stikket kan ikke bruges, hvis der er tilsluttet en *Bluetooth* enhed. Undgå at bruge hovedtelefoner ved høj lydstyrke for at forhindre mulig høreskade.
6. **AUX IN:** Hvis du vil høre lyden fra en anden anordning så som en CD afspiller, MP3 afspiller eller computer, slutter du den anordnings audio output til dette stereo input og sætter kildeknappen på forsiden til Aux. Du tænder ikke for den tilsluttede anordning ved at skifte til Aux positionen. Dette stereo input accepterer en 3,5mm stereo male mini konnektor. Det venstre og højre stereo signal bliver sammenlagt til mono. Aux In stikket kan ikke bruges, hvis der er tilsluttet en *Bluetooth* enhed. Du skal først fraslutte en eventuel *Bluetooth* enhed, før du kan bruge den faste Aux In

funktion. BEMÆRK: Det kan være nødvendigt at justere lydstyrkeniveauet for en aux anordning til et andet niveau end det du bruger til at lytte til radioen.

7. **REC OUT:** Du kan optage fra din Model One BT radio ved at tilslutte en båndoptagers audio input (eller anden optagelsesanordning) til dette stereo output med fastsat niveau. Du kan også bruge din Model One BT radio som en høj performance analog tuner ved at slutte den til audio inputtet på en forforstærker eller integreret forstærker. Den primære højttaler vil ikke være muted, når du bruger dette output. Dette stik accepterer en 3,5mm stereo han mini konektor.
8. **AC INPUT:** Slut det medførende strømkabel til dette input. Når du trækker strømkablet ud af stikkontakten, skal du altid holde fast i stikket. Vi anbefaler at du bruger en power strip med overspændingsbeskyttelse. Når du fraslutter strømkablet, skal du altid holde godt fast i konnektoren. Træk aldrig i selve kablet. Saml ikke strømkablet sammen med den eksterne FM antenne eller andre lydkabler, da det kan introducere støj i lydvejen.

Bluetooth Brug

Før pairing skal du tjekke at din anordning understøtter *Bluetooth* 2.1+EDR A2DP, og at din anordning ikke er tilsluttet et andet *Bluetooth* produkt. Forskellige anordninger kan parre forskelligt. Nedenstående er en general guide.

1. Tænd for din Model One BT og sæt den til Aux positionen. Dette vil tænde for din *Bluetooth*. Start med at skrue $\frac{1}{4}$ op for lyden. Skru også op for lyden på kildeenheden (den enhed du streamer fra).
2. Tænd den *Bluetooth* trådløse teknologi på din aktiverede anordning.
3. Vælg "Tivoli *Bluetooth* (Ikke parret)" når den kommer op på din anordnings skærm for at begynde søgningen. Nogle anordninger beder dig om et PIN nummer. I så tilfælde indtaster du "0000". "Tivoli *Bluetooth*" vil skifte fra "Ikke parret" til "Forbundet".
4. Du vil høre en ringetone fra din Model One BT som bekræfter forbindelsen, og du kan nu begynde at spille dine musikfiler trådløst. Juster lydstyrken på din anordning. Det skulle ikke være nødvendigt at parre din anordning igen. **Afhængigt af hvilken enhed du bruger kan det være nødvendigt at prøve pairing og/eller forbindelse til Model One BT flere gange, men giv venligst enheden tid nok til at parre eller forbinde før du gentager processen.**

Parre En *Bluetooth* Trådløs Teknologi Aktiveret iPhone/iPod Touch/iPad

1. Tænd for din Model One BT og sæt den i Aux positionen. Dette vil tænde for din *Bluetooth*. Start med at skrue $\frac{1}{4}$ op for lyden. Skru også op for lyden på kildeenheden (den enhed du streamer fra).
2. Vælg "Indstillinger" (afhænger af anordningens softwareversion).
3. Vælg "Almindelig".
4. Vælg "*Bluetooth*".
5. Sæt *Bluetooth* til "On" for at begynde søgningen.
6. Vælg "Tivoli *Bluetooth* (Ikke parret)" når det vises på displayet. Hvis du bliver bedt om at indtaste et PIN nummer, indtaster du "0000". "Tivoli *Bluetooth*" vil skifte fra "Ikke parret" til "Forbundet".
7. Du vil høre en ringetone fra din Model One BT, og du kan nu begynde at spille dine musikfiler trådløst. Juster lydstyrken på din anordning. Det skulle ikke være nødvendigt at parre din iPhone/iPod/iPad igen.

Output niveauet af lydstyrken på musikfiler varierer. Hvis du foretrækker et endnu højere output niveau kan du tjekke indstillingerne på din iPhone/iPod touch/iPad: Sæt EQ til Off, SoundCheck til Off, og lydstyrkegrænsen til Off.

Hvis du har problemer med at parre, trykker du på den lille pil til højre for "Tivoli *Bluetooth*" på dit iPhone/iPod touch/iPad display og vælg "Glem denne anordning", og gentag så parringsprocessen. **Afhængigt af hvilken enhed du bruger kan det være nødvendigt at prøve parring og/eller forbindelse til Model One BT flere gange, men giv venligst enheden tid nok til at parre eller forbinde før du gentager processen.**

Når du streamer musik kan du trykke på den blå pil til højre for knappen for det næste spor >>/ på dit iPhone/iPod touch/iPad display for at skifte mellem iPhone/iPod/iPad og *Bluetooth*.

- Model One BT vil huske parringsoplysninger for op til 8 anordninger. Yderligere anordninger kan parres, men den anordning, som det er længst siden den blev brugt, vil blive erstattet af den nyeste parrede anordning.
- Hvis lyden forsvinder eller stopper mens der spilles, skal du flytte din anordning tættere på din Model One BT, eller tjek for at sikre at der ikke er en anden trådløs anordning som forstyrrer signalet.
- Når du skifter fra *Bluetooth* til AM eller FM, kan det være nødvendigt at genjustere (sænke) radioens lydniveau.

Modtagelse

De interne FM og AM antenner vil give god modtagelse. Bygninger som er lavet af beton, stål eller aluminium facadebeklædning vil hindre modtagelse. Husholdnings hvidevarer, elektriske tæpper, computere, CD afspillere og andre elektroniske anordninger kan også have en negativ påvirkning på modtagelsen eller introducere støj. Hvis det sker, skal du flytte din Model One BT radio længere væk fra den påvirkende anordning eller sætte den i en stikkontakt som ikke bruges af en anden anordning. Metaloverflader kan også hindre AM modtagelse.

Placering

Placer enheden på en flad, stabil overflade. Bloker ikke den nederste basport. Model One BT radioen er ikke beskyttet mod video og skal holdes mindst 12,7 cm væk fra en computer monitor eller et fjernsyn. Model One BT radioen kan anbringes lodret og vandret. Placering på en bogreol, et skab eller tæt på vægge eller hjørner kan gøre bassen stærkere.

Rengøring

Brug aldrig stærke rengøringsmidler eller opløsningsmidler på din radio. Undgå spray-on voks. Træk stikket ud på din Model One BT radio før rengøring. Forsiden kan rengøres med en let fugtig blød klud. Hvis du maler eller farver træskabet vil det ugyldiggøre garantien.

BEMÆRK: Tivoli Audio skabe er lavet af rigtigt træfiner. Da der er stor variation indenfor naturtræ, er det ikke muligt at finde en præcis match for træfarve/-årer indenfor de forskellige modeller. Du kan også opleve at træ bliver mørkere med tiden, når det udsættes for sollys. Det er normalt for rigtigt træ.

Begrænset Garanti

Tivoli Audio laver produkter af meget høj standard, og vi er sikre på, at vore produkter fungerer godt. Derfor yder vi en begrænset garanti på dette produkt mod fabriktionsfejl ved materialer og håndværk til den oprindelige ejer. Denne garanti kan ikke overføres.

Produkter som er købt i EU og Norge har en minimumsgaranti på to år. I lande hvor varigheden af minimumsgarantien er vedtægtsbestemt, er garantiperioden den påkrævede vedtægtsperiode. Alle andre steder er garantiperioden et år.

Denne begrænsede garanti dækker dette produkts funktionalitet for normal, tilsigtet brug som specificeret i denne ejermanual. Den dækker ikke fejlfunktion eller skade, der er opstået ved upassende eller urimelig brug eller installering, ved at bruge opladeren til at oplade alkaline batterier, fejl ved tilknyttet udstyr, modifikationer, uautoriseret reparation, skade eller tab under forsendelse, mishandling, uheld, brug af forkert spænding/strøm, strømstød, lynnedslag eller andre naturfænomener, for megen fugt, normal brug og slidtage, kommercielt brug eller køb fra uautoriserede forhandlere. Det kan være nødvendigt at vise dit købsbevis ved garantiservice for at bevise at enheden blev købt hos en autoriseret forhandler. **Kontakt venligst din forhandler eller en lokal distributør for garantiservice eller -reparation.**

Hvis du åbner eller skiller dette produkt ad, vil den begrænsede garanti være ugyldig. Der er ingen dele inden i, som brugeren kan servicere. Tivoli Audio betaler ikke for omkostninger ved korrigerende af problemer med modtagelsen, eliminering af eksternt genereret statisk støj/støj, tidstab, ubekvemmelighed, tab af brugen af produktet, eller skade forårsaget ved upassende brug af dette produkt.

Hvis produktet returneres i garantiperioden og service er berettiget i følge denne begrænsede garanti, vil vi reparere eller erstatte alle defekte dele gratis og indenfor en rimelig tidsfrist.

DENNE BEGRÆNSEDE GARANTI GIVER DIG SPECIFIKKE LOVMÆSSIGE RETTIGHEDER UNDERLAGT DE SPECIFICEREDE FORHOLD. DER KAN OGSÅ VÆRE ANDRE GÆLDENDE LOVMÆSSIGE RETTIGHEDER FOR DET KØBTE PRODUKT. DISSE LOVMÆSSIGE RETTIGHEDER VARIERER FRA LAND TIL LAND. NOGLE STEDER ER EKSKLUDERING, RESTRIKTION ELLER MODIFICERING AF VISSE UNDERFORSTÅEDE RETTIGHEDER ELLER DERES EFFEKT IKKE TILLADT. I EN SÅDAN SITUATION VIL DENNE BEGRÆNSEDE GARANTI KUN GÆLDE I DEN UDSTRÆKNING SOM GÆLDENDE LOV TILLADER.

Dit lands love kan give dig retten til lovmæssige krav mod sælgeren eller producenten af dette produkt. Denne begrænsede garanti påvirker ikke disse rettigheder.

Bestemmelserne i den begrænsede garanti træder i stedet for alle andre garantier eller forhold, bortset fra dem der er lovbestemt. Denne begrænsede garanti påvirker ikke dine lovgivne rettigheder og udelukker ikke noget retsmiddel, som du har lovmæssigt ret til.

I lande hvor ansvarlighedsgrænsen ikke udelukkes af vedtægter skal Tivoli Audio højeste ansvarlighed ikke overstige den pris du betalte for produktet. I lande hvor ansvarlighedsgrænsen er udelukket af loven, skal Tivoli Audio ikke være ansvarlig for mere end direkte kropsskade, og/eller skade på ejendom eller personlige ejendele som følge af Tivoli Audios uagtsomhed.

Hvis det ikke er forbudt i følge loven, skal Tivoli Audio ikke være ansvarlig for specielle, uhelds-, konsekvens- eller indirekte skader. Nogle steder tillader ikke begrænsninger af eksklusion eller begrænsninger af afhjælpning, specielle, uhelds-, konsekvens- eller indirekte skader eller ansvarsbegrænsning til særlige beløb, så ovenstående begrænsninger eller eksklusioner gælder måske ikke dig.

Denne begrænsede garanti er ugyldig, hvis mærkatet med serienummeret er blevet fjernet eller ødelagt.

Hvis du har købt en forlænget servicekontrakt fra din forhandler og service er nødvendig efter den begrænsede garanti er udløbet, bedes du kontakte vores udbyder af den forlængede kontrakt for at blive serviceret.

For nemheds skyld kan du registrere dit produkt for garantiservice online på vores hjemmeside www.tivoliaudio.com. Du er ikke lovmæssigt forpligtet til at give personlige oplysninger. Men sådanne oplysninger lader os at registrere hvilke Tivoli Audio produkter du køber, så vi bedre kan forstå dem der køber vores produkter. Tivoli Audio vil bruge de indsamlede oplysninger til markedsføring, og hvor det er tilladt vil vi kontakte dig om de produkter du har købt eller andre produkter du kunne være interesseret i fra Tivoli Audio eller andre firmaer. De oplysninger du giver os kan blive bearbejdet i et andet land.

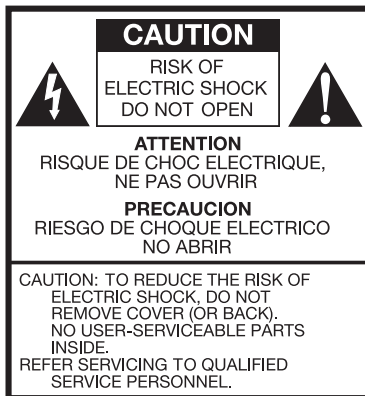
For nemheds skyld kan du registrere dit produkt for garantiservice online på vores hjemmeside www.tivoliaudio.com. Du er ikke lovmæssigt forpligtet til at give personlige oplysninger. Men sådanne oplysninger lader os at registrere hvilke Tivoli Audio produkter du køber, så vi bedre kan forstå dem der køber vores produkter. Tivoli Audio vil bruge de indsamlede oplysninger til markedsføring, og hvor det er tilladt vil vi kontakte dig om de produkter du har købt eller andre produkter du kunne være interesseret i fra Tivoli Audio eller andre firmaer. De oplysninger du giver os kan blive bearbejdet i et andet land.

Specifikationer

Model:	Tivoli Audio® Model One® BT
Type:	AM/FM analog mono bordradio med <i>Bluetooth</i> trådløs teknologi
Driver:	En 76,2 mm (3") driver med fuld rækkevidde
Dimensions:	21,3 cm B x 11,4 cm H x 13,3 cm D (8,375" B x 4,5" H x 5,25" D)
Weight:	1,88 kg (4,14 engelske pund)

Specifikationer kan ændres uden varsel. Tivoli Audio forbeholder sig retten til at lave produktændringer uden varsel. Tivoli Audio, Tivoli Audio logoet, og Model One BT er varemærker tilhørende Tivoli Audio, LLC. *Bluetooth* ordmærket og logoer er registrerede varemærker som ejes af Bluetooth SIG, Inc. og enhver form for brug af Tivoli Audio er under licens. iPod, iPod touch, iPhone, og iPad er varemærker tilhørende Apple Inc., som er registreret i USA og andre lande. Andre varemærker og varenavne tilhører deres respektive ejere.





Dieses Symbol warnt den Bediener vor nicht isolierter, „gefährlicher“ elektrischer Spannung im Gerätegehäuse, die hoch genug sein kann, um zu elektrischen Schlägen zu führen.



Dieses Symbol weist den Bediener auf wichtige Anweisungen zur Bedienung und Wartung des Geräts in der begleitenden Literatur hin.

Wichtige Sicherheitsanweisungen

1. Lesen Sie diese Anweisungen sorgfältig durch.
2. Bewahren Sie diese Anweisungen auf.
3. Beachten Sie alle Warnhinweise.
4. Befolgen Sie alle Anweisungen.
5. Halten Sie dieses Gerät von Wasser fern. Verwenden Sie dieses Gerät beispielsweise nicht in der Nähe einer Badewanne, in einem feuchten Keller, in der Nähe eines Swimmingpools und dergleichen. ACHTUNG! Setzen Sie das Gerät nicht Regen oder Feuchtigkeit aus.
6. Reinigen Sie das Gerät nur mit einem trockenen Tuch.
7. Stellen Sie sicher, dass die Belüftungsöffnungen nicht versperrt sind. Schließen Sie das Gerät gemäß den Anweisungen des Herstellers an.
8. Schließen Sie das Gerät nicht in der Nähe von Wärmequellen wie z. B. Heizkörpern, Heizauslässen, Öfen oder anderen wärmeerzeugenden Geräten (inklusive Verstärkern) an.
9. Setzen Sie die Sicherheitsfunktion des verpolungssicheren oder geerdeten Steckers nicht außer Kraft. Ein verpolungssicherer Stecker ist mit zwei unterschiedlich breiten Kontakten ausgestattet. Ein geerdeter Stecker ist neben den zwei Kontakten außerdem mit einem Massekontakt ausgestattet. Der breite Kontakt bzw. der Massekontakt dient Ihrer Sicherheit. Falls der gelieferte Stecker nicht in Ihre Steckdose passt, wenden Sie sich zum Austausch der entsprechenden Steckdose bitte an einen Elektriker.
10. Stellen Sie sicher, dass nicht auf das Stromkabel getreten oder das Kabel geknickt wird, insbesondere an Steckern, Steckdosen und der Stelle, an welcher das Kabel am Gerät austritt.
11. Benutzen Sie ausschließlich die vom Hersteller angegebenen Anbau- und Zubehörgeräte.
12. Verwenden Sie nur Wagen, Ständer, Stativ, Halter oder Tische, die vom Hersteller benannt oder im Lieferumfang des Geräts befindlich sind. Wenn Sie einen Wagen benutzen, seien Sie vorsichtig beim Bewegen des Wagens / Gerätes, um Verletzungen durch Umkippen zu vermeiden.
13. Ziehen Sie den Stecker dieses Gerätes bei Gewittern oder bei längerer Nichtverwendung heraus.



14. Betreiben Sie das Gerät nur mit den auf der Rückseite angegebenen Stromquellen. Verwenden Sie bei Geräten mit einer externen Stromversorgung im Fall von Verlust oder Beschädigung nur ein identisches Ersatzteil. Entnehmen Sie bei Geräten mit einer Batteriestromversorgung dem Benutzerhandbuch die notwendigen Informationen.
15. Ziehen Sie das Gerät von der Steckdose ab und lassen Sie die Wartungsarbeiten von qualifiziertem Fachpersonal durchführen, wenn Folgendes passiert ist:
 - a. Das Stromversorgungskabel oder der Stecker ist beschädigt.
 - b. Flüssigkeit wurde auf das Gerät verschüttet oder Gegenstände sind hineingefallen.
 - c. Das Gerät wurde Wasser oder Regen ausgesetzt.
 - d. Das Gerät funktioniert nicht ordnungsgemäß, obwohl die Bedienungsanleitung befolgt wird.
 - e. Das Gerät wurde fallen gelassen oder auf andere Weise beschädigt.
 - f. Das Gerät weist eine deutliche Veränderung der Leistung auf.
16. Wenn Ersatzteile benötigt werden, stellen Sie sicher, dass Servicetechniker Original-Ersatzteile vom Hersteller, oder Ersatzteile mit identischen Eigenschaften, verwenden. Durch falsche Ersatzteile können Feuer, Stromschlag oder andere Gefahren entstehen.
17. Bitten Sie den Techniker nach Beendigung einer Dienstleistung einen Sicherheitscheck durchzuführen, um zu bestätigen, dass das Produkt in einem einwandfreien Betriebszustand ist.
18. Halten Sie das Gerät von spritzender oder tropfender Flüssigkeit fern. Stellen Sie keine Gegenstände auf das Gerät, die Flüssigkeit enthalten, wie beispielsweise Vasen oder Trinkgläser.
19. Der empfohlene Betriebstemperaturbereich liegt zwischen 5°C und 40°C (41°F und 104°F).
20. Der 12 VDC-Eingang ist für den Betrieb dieses Produkts auf einem Boot oder Camper mit einem optional erhältlichen 12 VDC 1A Adapter vorgesehen.
21. Halten Sie das Gerät in sicherer Entfernung zu offenen Flammen, wie z. B. brennenden Kerzen.
22. **WARNUNG** - Die Stromversorgung ist in der Aus-Position nicht getrennt, aber die Stromkreisläufe sind unterbrochen.
23. Kanada entspricht der RSS210, ICES-003.
24. Der Stecker des Stromkabels dient als Trennvorrichtung und muss leicht zugänglich bleiben.

 WARNUNG: DIE AM MODEL ONE ANGEBRACHTE TELESKOPANTENNE SOLL NICHT GELÖST WERDEN.



Dieses Produkt ist recyclingfähig. Produkte mit diesem Symbol dürfen NICHT im normalen Hausmüll entsorgt werden. Entsorgen Sie das Produkt am Ende der Nutzungsdauer bei einer ausgewiesenen Recycling-Sammelstelle für elektrische und elektronische Geräte. Weiterführende Informationen über Rücknahme- und Sammelstellen erhalten bei Ihren örtlichen Behörden.

Die europäische WEEE-Richtlinie (Elektro- und Elektronikgerätegesetz) wurde eingeführt, um die Abfallmenge auf Mülldeponien erheblich zu verringern und so die Umweltauswirkungen auf unseren Planeten und die Gesundheit der Menschen zu reduzieren. Handeln Sie bitte verantwortungsbewusst, indem Sie Altgeräte dem Recycling zuführen. Falls das Produkt noch verwendbar sein sollte, sollten Sie ein Verschenken oder einen Weiterverkauf in Betracht ziehen.

Model One BT Anleitung

Herzlichen Glückwunsch zum Kauf des Model One BT Tischradios. Wir glauben, dass das Model One BT zu einem der besten aktuell auf dem Markt befindlichen analogen Mono-Tischradios gehört. Mit dem Zusatz von *Bluetooth* Wireless Technologie können Sie Ihre Musik drahtlos auf Ihr Model One BT übertragen und wiedergeben.

Sicherlich sind Sie gespannt darauf, Ihr neues Radio zu benutzen. Wir möchten Sie jedoch bitten, sich einen Moment Zeit zu nehmen und diese Bedienungsanleitung sowie die Sicherheitshinweise durchzulesen. Zögern Sie nicht, bei Fragen Ihren Händler oder Tivoli Audio zu kontaktieren.

Bitte bewahren Sie den Karton und die Originalverpackung sorgfältig auf. Sollten Sie diese eventuell in Zukunft benötigen, um Ihr Radio zur Reparatur einzusenden, können durch falsche/unsachgemäße Verpackung entstehende Transportschäden nicht durch die Werksgarantie abgedeckt werden.

Im Namen von Tivoli Audio möchten wir uns herzlich für Ihren Kauf bedanken. Wir wünschen Ihnen viel Spaß und Freude mit Ihrem neuen Model One BT Radio.

Über Tivoli Audio

Tivoli Audio wurde von Tom DeVesto mit der Vision gegründet, den Kunden Audioprodukte anzubieten, die über eine einfache Bedienung, ein elegantes Design und eine hohe Qualität verfügen. Als Geschäftsführer und Leiter der Forschungs- und Entwicklungsabteilung bei seiner vorherigen Firma, Cambridge SoundWorks*, war Tom verantwortlich für die Entwicklung einer Vielzahl der am meisten verkauften Homeentertainment- und Multimediaprodukte auf dem Markt. Des Weiteren bekleidete er Positionen im gehobenen Management der Produktentwicklung bei Advent und Kloss Video.

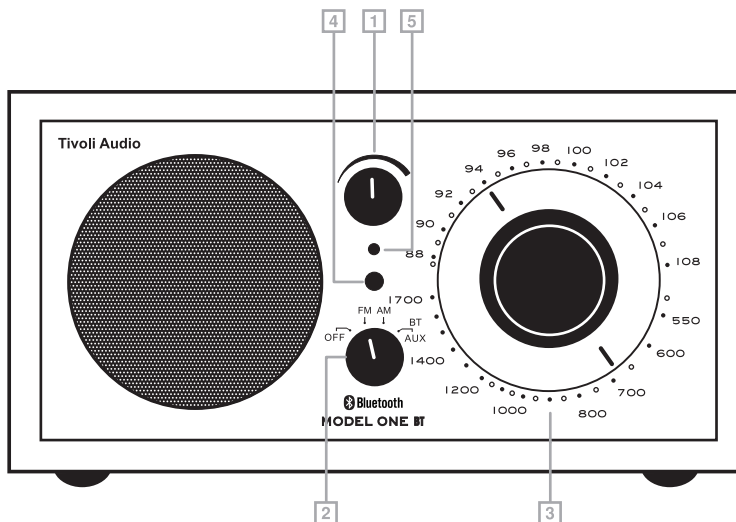
*Cambridge SoundWorks ist ein eingetragenes Warenzeichen von Creative Labs, Singapur.

Lieferumfang neben dem Model One BT an sich:

- Ein (1) 2,7 m (9 Fuß) langes Netzkabel
- Eine (1) FM-Wurfantenne ODER eine (1) fest installierte FM-Teleskopantenne (je nach Land)

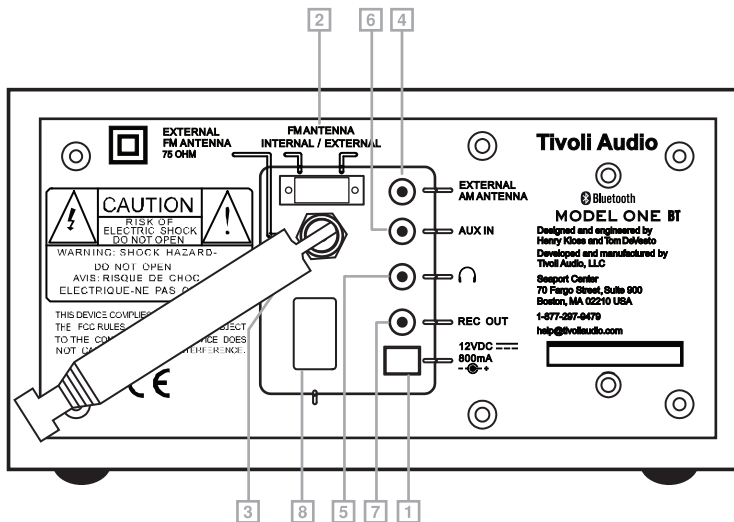
Bitte informieren Sie Ihren Händler oder Tivoli Audio direkt, wenn Sie Bestandteile des Lieferumfangs vermissen.

Funktionen: Frontseite des Geräts



1. **LAUTSÄRKEREGLER:** Drehen Sie den Lautstärkeregler nach rechts um die Lautstärke zu erhöhen, bzw. nach links um die Lautstärke zu verringern. Dieser Knopf regelt ebenfalls die Lautstärke des Kopfhörerausgangs.
2. **OFF/FM/AM/AUX REGLER:** Drehen Sie den Knopf einen Klick nach rechts um UKW Frequenz, zwei Klicks nach rechts um MW Frequenz und drei Klicks nach rechts um den AUX-Eingang auszuwählen. Drehen Sie Den Knopf nach die AUX Position um die *Bluetooth* Funktion zu starten. Folgen Sie bitte anschließend den in der Bedienungsanleitung (Kapitel "*Bluetooth* Betrieb") aufgeführten Schritten.
3. **ABSTIMMUNG:** Drehen Sie den Regler zur Abstimmung der Sender bzw. zur Suche nach Radiostationen (oberer Frequenzbereich für UKW, unterer Frequenzbereich für MW) nach links oder rechts.
4. **LED FEINABSTIMMUNG:** Bei optimaler Abstimmung leuchtet diese Kontrollleuchte hell auf. Diese Anzeige könnte bei bestimmten AM-Stationen mit schwachem Signal nicht funktionieren, so dass Sie die Abstimmung nach Gehör vornehmen müssen.
5. **LED "STROMVERSORUNG":** Diese grüne Kontrollleuchte leuchtet auf, wenn das Gerät eingeschaltet ist.

Funktionen: Rückseite des Geräts



- 12VDC/800mA:** Benutzen Sie diesen Eingang um ein optionales 12VDC 1A Netzteil (zur Anwendung auf einem Boot oder im Camper) anzuschließen. Der Stecker muß 5,5 mm/2,1 mm Innenpol positiv sein.
- FM ANTENNEN ANSCHLUSS:** Wahlschalter zur Selektion zwischen Interner und externer Antenne.
- EXTERNE UKW FM ANBINDUNG:** Wenn Sie Radio hören (abhängig vom jeweiligen Land), befestigen Sie die im Lieferumfang enthaltene Antenne an diesem F Adapter oder passen Sie Position und Richtung der Teleskopantenne an. In Gegenden mit starkem UKW-Signal könnten Sie einen besseren Empfang erzielen, wenn Sie die Antenne nicht ganz ausziehen. Wenn das Gerät ausgeschaltet ist oder auf den MW (AM)-Bereich eingestellt ist, sollten Sie die Antenne einziehen, so dass sie gut geschützt ist. Die Ausrichtung der Antenne hat keinen Einfluss auf den Empfang im MW-Bereich.
- EXTERNE MW (AM) ANBINDUNG:** In einigen Fällen kann der MW Empfang verbessert werden, indem man eine externe MW Antenne (nicht im Zubehör enthalten) anbringt. Dieser Anschluss benötigt einen 3,5mm Klinkenstecker. Für weitere Informationen wenden Sie sich bitte an Ihren Fachhandelspartner.
- KOPFHÖRERAUSGANG:** Stereoausgang zum Anschluss eines Kopfhörers. Bei Anschluss eines Kopfhörers wird der Lautsprecher des Geräts automatisch abgeschaltet.
- AUX IN:** Stereoeingang zum Anschluss einer Stereo- oder Monoquelle (CD-Player, Fernseher, u.a.). Die Aux-In-Buchse ist nicht verfügbar, wenn ein *Bluetooth*-Gerät angeschlossen ist. HINWEIS: Sie müssen zuerst alle *Bluetooth*-Geräte ausstecken, um die kabelgebundene Aux-In-Funktion nutzen zu können.
- REC OUT:** Sie können das Model One auch als High Performance Analog Tuner nutzen, indem Sie es an den Audio Eingang eines Vorverstärkers oder integrierten Verstärkers anschließen. Der interne Lautsprecher wird nicht stumm geschaltet, wenn Sie diesen Ausgang nutzen. Dieser Anschluss benötigt ein 3,5mm Klinkenstecker (Stereo).

8. **AC-EINGANG:** Bringen Sie den im Zubehör befindlichen Netzstecker an diesen Anschluss an. Ziehen Sie den Netzstecker nie am Kabel aus der Steckdose. Halten Sie den Netzstecker nur an der verstärkten Kunststoffhalterung wenn Sie ihn vom Netz trennen. Legen Sie den Netzstecker nicht direkt neben die externe UKW-Antenne oder andere Audiokabel, da dies Störungen verursacht.

Bluetooth Betrieb

Überprüfen Sie vor dem Koppeln ob Ihr Gerät *Bluetooth 2.1 + A2DP* unterstützt und ob es nicht schon an einem anderen *Bluetooth*-Gerät angeschlossen ist. Geräte können unterschiedlich koppeln. Hier eine allgemeine Anleitung:

1. Drehen Sie den Regler des Model One BT nach die Aux-Position. Dies startet die *Bluetooth*-Funktion. Erhöhen Sie die Ausgangslautstärke etwa um $\frac{1}{4}$.
2. Schalten Sie *Bluetooth* Funktechnik an Ihrem *Bluetooth*-fähig Gerät ein (z.B. MP3 Player, Handy, etc).
3. Wählen Sie "Tivoli *Bluetooth* (Nicht Verbunden)", wenn es auf Ihrem Gerät angezeigt wird, um die Suche zu initiieren. Bei einigen Geräten erscheint nun eine PIN Abfrage. Falls ja, geben Sie "0000" ein. "Tivoli *Bluetooth*" wechselt von "Nicht Verbunden" auf "Verbunden".
4. Sie werden einen Klingelton aus dem Modell One BT hören. Hierdurch wird die BT-Verbindung bestätigt und Sie können mit der drahtlosen Musikwiedergabe beginnen. Bringen Sie die Lautstärke auf Ihrem bluetoothfähigem Gerät in eine angemessene Position. Versuchen Sie nicht das Gerät erneut zu koppeln. **Je nach Gerät ist es möglich, dass Sie mehrere Versuche benötigen, um eine Kopplung und/oder Verbindung mit dem Model One BT herzustellen. Bitte lassen Sie Ihrem Gerät zum Koppeln oder Verbinden genügend Zeit, bevor Sie den Vorgang wiederholen.**

Verbinden Eines *Bluetooth* Fähigen Aktiviert iPhone/iPod touch/ iPad

1. Drehen Sie den Regler des Model One BT nach die Aux-Position. Dies startet die *Bluetooth*-Funktion. Erhöhen Sie die Ausgangslautstärke etwa um $\frac{1}{4}$.
2. Wählen Sie "Einstellungen" (abhängig von der Software-Version Ihres Gerätes).
3. Wählen Sie "Allgemein".
4. Wählen Sie "*Bluetooth*".
5. Aktivieren Sie *Bluetooth*.
6. Wählen Sie "Tivoli *Bluetooth* (Nicht Verbunden)", falls es auf dem Display erscheint. Wenn Sie aufgefordert werden, eine PIN einzugeben, geben Sie "0000" ein. "Tivoli *Bluetooth*" wechselt von "Nicht Verbunden" auf "Verbunden".
7. Nachdem Sie einen Klingelton aus dem Model One BT hören können Sie anfangen Ihre Musikdateien drahtlos abzuspielen. Bringen Sie die Lautstärke auf Ihrem bluetoothfähigem Gerät in eine angemessene Position. Versuchen Sie nicht die Geräte erneut zu koppeln.

Die Lautstärke-Ausgangspegel von Musik-Dateien variiert. Wenn Sie einen noch höheren Ausgangspegel bevorzugen, überprüfen Sie die Einstellungen in Ihrem iPhone / iPod touch / iPad: Stellen Sie den EQ auf Off, den Soundcheck ab, und die Lautstärkebegrenzung Aus.

Falls Sie auf Probleme stoßen sollten, drücken Sie auf den kleinen Pfeil rechts neben "Tivoli *Bluetooth*" auf Ihrem iPhone / iPod touch / iPad Display und wählen Sie "Dieses Gerät ignorieren", dann führen Sie die Anmeldung erneut aus. **Je nach Gerät ist es möglich, dass Sie mehrere Versuche**

benötigen, um eine Kopplung und/oder Verbindung mit dem Model One BT herzustellen, aber lassen Sie Ihrem Gerät zum Koppeln oder Verbinden bitte genügend Zeit, bevor Sie den Vorgang wiederholen.

Beim Streaming von Musik können Sie auf den blauen Pfeil auf der rechten Seite (neben der „nächster Titel“ Taste ») / auf dem iPhone / iPod touch / iPad-Display) drücken, um zwischen dem iPhone/iPod / iPad und *Bluetooth* zu wechseln.

- Das Model One BT kann die Informationen der 8 zuletzt verbundenen Geräte abspeichern. Durch das Koppeln zusätzlicher Geräte wird die Information des am wenigsten verwendeten Gerätes jedoch vom neu gekoppelten Gerät ersetzt.
- Wenn die Musikwiedergabe ausfallen oder stoppen sollte, bringen Sie ihr Gerät näher an das Model One BT oder prüfen Sie, ob ein anderes BT-fähiges Gerät die drahtlose Verbindung stört.
- Nach Umschalten von *Bluetooth* auf AM oder FM muss die Lautstärke ggf. nachjustiert werden.

Empfang

Die interne FM- und AM-Antenne liefert einen guten Empfang. Eine optionale Außenantenne sorgt für bestmöglichen Empfang. Gebäude welche aus massivem Beton und Stahl bzw. Aluminium erbaut wurden, können den Empfang beeinträchtigen. Haushaltsgeräte, Heizdecken, Computer, CD-Player und andere elektronische Geräte können ebenfalls negativen Einfluss auf den Empfang nehmen bzw. eventuelle Störgeräusche verursachen. Falls diese Störungen auftreten sollten, stellen Sie das Model One BT etwas entfernt von der verursachenden Quelle auf bzw. stecken Sie das Model One BT an einer Steckdose an, welche nicht mit einem weiteren Gerät geteilt wird. Metallische Oberflächen können ebenfalls den AM-Empfang beeinträchtigen.

Platzierung

Stellen Sie das Gerät auf eine flache, stabile Oberfläche. Blockieren Sie den unteren Bass-Port nicht. Das Model One BT-Radio ist nicht magnetisch abgeschirmt und sollte mindestens 12.7 cm von einem Computermonitor oder Fernseher entfernt sein. Das Model One BT Radio kann sowohl vertikal als auch horizontal aufgestellt werden. Die Platzierung in einem Bücherregal, Schrank, oder nahe an Wänden oder Ecken kann den Bass verstärken.

Reinigung

Verwenden Sie keine scharfen Reinigungs- oder Lösungsmittel. Vermeiden Sie Spray-on Wachse. Trennen Sie das Model One BT Radio vor der Reinigung vom Netz. Die Oberfläche kann mit einem leicht angefeuchteten, weichen Tuch gereinigt werden. Durch Bemalen oder Färben des Holzgehäuses oder der Front erlischt Ihr Garantieanspruch.

HINWEIS: Ein Tivoli Audio One BT Korpus wird aus Echtholz furnieren hergestellt. Da Naturholz stark variiert, ist es nicht möglich unterschiedliche Modelle in identischer Holzfarbe / Maserung zu produzieren. Beachten Sie auch, dass sich einige Oberflächen (vor allem Walnuss) im Laufe der Zeit verdunkeln können. Hierbei handelt es sich um einen natürlichen Prozess, welcher je nach Lichteinfall/Licht-einwirkung variieren kann. Hierbei handelt es sich um einen für Echtholz normalen Prozess.

Beschränkte Garanti

Tivoli Audio erfüllt bei der Herstellung seiner Produkte sehr hohe Standards. Daher sind wir überzeugt, dass unsere Produkte äußerst leistungsfähig sind. Dementsprechend bieten wir dem Erstkäufer dieses Produkts eine beschränkte Garantie auf Herstellungsfehler in Bezug auf Material und Verarbeitung. Diese Garantie ist nicht übertragbar.

Für Produkte, die in der Europäischen Union und in Norwegen erworben wurden, besteht eine Mindestgarantiedauer von zwei Jahren. In Ländern, in denen eine Mindestgewährleistungsfrist per Gesetz festgelegt ist, besteht die Garantie über den gesetzlich vorgeschriebenen Zeitraum. In allen anderen Ländern beträgt die Garantiedauer ein Jahr.

Diese beschränkte Garantie umfasst die Funktionsfähigkeit des Produkts im Rahmen seiner normalen, bestimmungsgemäßen Verwendung, wie in dieser Betriebsanleitung beschrieben. Sie umfasst keine Funktionsstörungen oder Schäden, die durch unsachgemäße und unangemessene Verwendung oder Montage, durch Verwendung des Ladegeräts zum Aufladen von Alkalibatterien, durch defekte Zusatzgeräte, Veränderungen, unberechtigte Reparaturen, Beschädigung oder Verlust beim Transport, missbräuchliche Verwendung, Unfälle, Betrieb mit unzulässiger Spannung/Stromstärke, Stromschwankungen, Blitzeinschlag oder andere Risiken höherer Gewalt, übermäßige Feuchtigkeit, normalem Verschleiß, gewerbliche Nutzung oder durch den Erwerb von nicht autorisierten Händlern verursacht wurden. Für den Garantieservice ist ein Kaufbeleg als Nachweis, dass der Artikel bei einem autorisierten Händler gekauft wurde, erforderlich. **Für Reparaturen oder den Garantieservice kontaktieren Sie bitte den Händler, bei dem Sie den Artikel gekauft haben oder Ihren Händler vor Ort.**

Bitte verzichten Sie darauf, dieses Produkt zu öffnen oder es zu zerlegen, da dadurch die beschränkte Garantie ungültig wird. Es enthält keine Teile, die vom Anwender gewartet werden müssen. Tivoli Audio kommt nicht für Kosten auf, die durch die Korrektur von Empfangsstörungen, Beseitigung von Störungen/ Geräuschen, durch Zeitverlust, Unannehmlichkeiten, Nutzungsausfall des Produkts oder durch Schäden, die durch den unsachgemäßen Gebrauch dieses Produkts verursacht wurden, entstanden sind.

Für den Fall, dass das Produkt während der Garantiedauer zurückgegeben wird und es unter diese beschränkte Garantie fällt, werden defekte Teile von uns innerhalb eines angemessenen Zeitraums kostenlos repariert oder ersetzt.

DIESE BESCHRÄNKTE GARANTIE ERTEILT IHNEN BESTIMMTE RECHTE, DIE FESTGELEGTE BEDINGUNGEN UNTERLIEGEN. SIE VERFÜGEN MÖGLICHERWEISE AUCH ÜBER WEITERE RECHTSANSPRÜCHE, DIE FÜR DAS PRODUKT, DAS SIE ERWORBEN HABEN, GELTEN. DIESE RECHTE SIND VON LAND ZU LAND VERSCHIEDEN. IN MANCHEN LÄNDERN IST DER AUSSCHLUSS, DIE BESCHRÄNKUNG ODER VERÄNDERUNG BESTIMMTER STILLSCHWEIGENDER RECHTE ODER IHRER GÜLTIGKEIT NICHT GESTATTET. IN DIESEN FÄLLEN GILT DIESE BESCHRÄNKTE GARANTIE NUR INSOWEIT, ALS DAS GELTENDE GESETZ DIES ERLAUBT.

Durch die Gesetze Ihres Landes verfügen Sie über Rechtsansprüche gegenüber dem Verkäufer oder Hersteller dieses Produkts. Diese beschränkte Garantie hat keine Auswirkungen auf diese Rechte.

Die Bestimmungen der beschränkten Garantie bestehen an Stelle von anderen Garantien oder Bestimmungen, mit Ausnahme der vom Gesetz vorgegebenen. Diese beschränkte Garantie wirkt sich nicht auf Rechte aus, die Ihnen gesetzlich zustehen und schließt keine Rechtsmittel aus, die Ihnen laut Gesetz zur Verfügung stehen.

In Ländern, in denen Haftungsbeschränkungen nicht gesetzlich ausgeschlossen sind, darf die Haftungshöchstgrenze von Tivoli Audio den Kaufpreis, den Sie für das Produkt bezahlt haben, nicht

überschreiten. In Ländern, in denen Haftungsbeschränkungen von Gesetzes wegen ausgeschlossen sind, haftet Tivoli Audio nur für den direkten Schaden bei Körperverletzungen und/oder an beweglichem und unbeweglichem Eigentum, der durch die Nachlässigkeit von Tivoli Audio entstanden ist.

Wenn dies nicht gesetzlich untersagt ist, haftet Tivoli Audio nicht für besondere, indirekte, Neben- oder Folgeschäden. In einigen Ländern sind Haftungsbeschränkungen sowie der Ausschluss und die Beschränkung von Rechtsmitteln bei besonderen, indirekten, Neben- oder Folgeschäden sowie die Beschränkung der Haftungssumme nicht gestattet, so dass die oben aufgeführten Beschränkungen oder Ausschlüsse möglicherweise nicht für Sie gelten.

Diese Garantie ist ungültig, wenn das Etikett mit der Seriennummer entfernt oder beschädigt wurde.

Wenn Sie bei Ihrem Händler einen erweiterten Servicevertrag abgeschlossen haben und nach Ablauf der Frist dieser beschränkten Garantie ein Service erforderlich ist, wenden Sie sich bitte an den Anbieter Ihres erweiterten Servicevertrags, um die Serviceleistung zu erhalten.

Sie können Ihr Produkt ganz bequem online auf unserer Website, www.tivoliaudio.com, für den Garantieservice registrieren. Sie sind gesetzlich nicht verpflichtet, persönliche Daten zur Verfügung zu stellen. Diese Daten gestatten es uns jedoch, einen Nachweis über die von Ihnen erworbenen Produkte von Tivoli Audio zu führen und die Käufer unserer Produkte besser zu verstehen. Die erfassten Daten werden von Tivoli Audio zu Marketingzwecken verwendet und, wenn es zulässig ist, werden wir Sie anhand der Daten in Bezug auf die Produkte, die Sie erworben haben und andere Produkte, die für Sie interessant sein könnten, kontaktieren. Die Daten, die Sie zur Verfügung stellen, dürfen in einem anderen Land weiterverarbeitet werden.

Für Serviceleistungen kontaktieren Sie bitte Ihren Händler oder Großhändler vor Ort.

Technische Daten

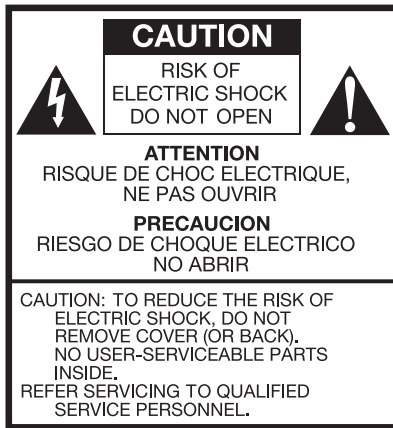
Modell:	Tivoli Audio® Model One® BT
Typ:	AM/FM analoges Mono Tischradio mit <i>Bluetooth</i> Wireless-Technologie
Driver:	Ein 76.2 mm (3") Treiber für gesamten Bereich
Dimensions:	21.3 cm W x 11.4 cm H x 13.3 cm D (8.375" W x 4.5" H x 5.25" D)
Weight:	1.88 kg (4.14 lbs)

Technische Änderungen vorbehalten.

Tivoli Audio behält sich technische Änderungen ohne Ankündigung vor.

Tivoli Audio, das Tivoli Audio Logo und der Modellname Model One BT sind eingetragene Warenzeichen der Firma Tivoli Audio, LLC. Die *Bluetooth* Wortmarke und -Logos sind eingetragene Warenzeichen der Bluetooth SIG, Inc. und jede Verwendung dieser Marken durch die Tivoli Audio erfolgt unter Lizenz. iPod, iPod touch, iPhone, und iPad sind Marken der Apple Inc., die in den USA und weiteren Ländern eingetragen sind.





Este símbolo pretende alertar al usuario de la presencia de “voltaje peligroso” sin aislamiento dentro del producto., que puede ser suficiente para constituir un riesgo de descarga eléctrica a las personas.



Este símbolo pretende alertar al usuario de la presencia de instrucciones de operación y mantenimiento (Servicio) en la literatura que acompaña al aparato.

Instrucciones de Seguridad

1. Lea estas instrucciones.
2. Conserve este manual.
3. Preste atención a todas las advertencias.
4. Siga todas las instrucciones.
5. ADVERTENCIA - Para reducir el riesgo de incendio o descarga eléctrica no exponga este product al agua o la humedad.
6. Lávelo solamente con un paño seco.
7. No obstruya ninguna de las aberturas de ventilacion. Instalelo de acuerdo con las instrucciones del fabricante.
8. No instale el producto cerca de fuentes de calor tales como radiadores, salidas de calefacción, estufas ni otros aparatos (Incluyendo amplificadores) que produzcan calor.
9. No anule la protección proporcionada por el conector de toma a tierra. Una toma de alimentación posee una toma a tierra para su seguridad. Si la toma proporcionada no coincide con las tomas de su sistema de distribución consulte a un electricista para reemplazar la toma obsoleta. No sobrecargue las tomas ni las extensiones de alimentación.
10. Proteja el cable de alimentación de pisadas y pinchazos, especialmente en las tomas de alimentación, en los lugares expuestos al tránsito y en el punto en el que sale del aparato.
11. Utilice sólo los accesorios o complementos especificados por el fabricante.
12. Sitúe la unidad sobre el soporte, trípode, carrito, estantería o mesa especificados por el fabricante o vendido con el aparato. Cuando se use un carrito, tenga precaución a la hora de moverlo para evitar daños por caída.
13. Desenchufe este aparato durante tormentas eléctricas o cuando no se utilice por largos periodos de tiempo.
14. Opere este producto sólo desde el tipo de fuente de alimentación indicada en el panel trasero. Para productos que utilicen una fuente de alimentación externa, utilice un recambio exacto si



esta es extraviada o dañada. Para productos que operen alimentados con baterías, diríjase al manual del usuario.

15. Desconecte este producto y diríjalo a personal de servicio cualificado bajo las siguientes circunstancias:
 - a. Cuando el cable o conector de alimentación esté dañado.
 - b. Si se ha derramado líquido u objetos han caído dentro del producto.
 - c. Si el producto se ha expuesto a agua o lluvia.
 - d. Si el producto no funciona normalmente aún siguiendo las instrucciones.
 - e. Si el producto ha sufrido una caída o se ha dañado en algún modo.
 - f. Cuando el producto exhibe un marcado cambio en su funcionamiento.
16. Cuando sea necesario reemplazar piezas, asegúrese de que su técnico de servicio utilice las piezas especificadas por el fabricante o con las mismas características que la pieza original. Las sustituciones no autorizadas pueden ocasionar incendios, descargas eléctricas u otros peligros.
17. Al finalizar cualquier servicio, pida al técnico que realice comprobaciones de seguridad para confirmar que el producto está en buenas condiciones de funcionamiento.
18. No exponga este producto a goteos o pérdidas. Objetos que contengan líquidos, como recipientes o vasos para beber no deben ser colocados encima de este producto.
19. La temperatura recomendada de operación es entre 5°C y 40°C (41°F -104°F).
20. La entrada de 12 VDC es adecuada para el funcionamiento de este producto en un barco o una caravana con una 12 VDC opcional, fusionado 1 A adaptador.
21. Mantenga este producto a una distancia segura de la llama directa, por ejemplo, una vela encendida.
22. ADVERTENCIA - La red eléctrica no está desconectada en la posición de apagado, pero los circuitos son des-alimentado.
23. Canadá cumple con RSS210, ICES-003.
24. El cable de alimentación sirve como dispositivo de desconexión y debe permanecer fácilmente accesible.



ADVERTENCIA: EL MODELO EN EL QUE SE ADHIERA UNA ANTENA TELESCÓPICA EXTERNA NO DEBE SEPARARSE.



Este producto puede ser reciclado. Los productos identificados con este símbolo NO deben ser arrojados con desperdicios domésticos normales. Cuando la vida de este producto llegue a su fin, llévelo hasta un punto de recogida específica de reciclado de dispositivos eléctricos y electrónicos. Infórmese sobre la localización de puntos de recolección a través de sus autoridades locales.

La Directiva Europea de Desperdicios Eléctricos y Electrónicos (WEEE) fue implementada para reducir drásticamente la cantidad de desperdicios en los basureros, y por ende reducir el impacto negativo sobre la salud del planeta y humana. Por favor actúe responsablemente reciclando productos usados. Si este producto se encuentra aún en condiciones de funcionamiento, considere cederlo o venderlo.

Model One BT Instrucciones

Felicitaciones por su compra del Model One BT radio de mesa. Creemos que el Model One BT puede ser una de las mejores radios analógicas mono de mesa en el mercado hoy en día. Con la incorporación de tecnología inalámbrica *Bluetooth*, puedes transmitir tu música de forma inalámbrica a la Model One BT.

Sabemos que está ansioso por utilizar su nueva radio, pero por favor tome un momento para leer este manual del propietario e instrucciones de seguridad. Si usted tiene alguna pregunta, por favor no dude en ponerse en contacto con su distribuidor o Tivoli Audio.

Por favor, guarde la caja y el embalaje original por si tiene que transportar el radio, daños durante el transporte no está cubierto por la garantía de fábrica.

En nombre de todos nosotros, gracias por la elección de Tivoli Audio y disfrutar de su nuevo Model One BT de radio.

Sobre Tivoli Audio

Tivoli Audio fue creada por Tom DeVesto con el propósito de introducir productos de audio de alta calidad, fáciles de utilizar para el consumidor a precios razonables. Como presidente y director de investigación y desarrollo de su antigua compañía, Cambridge SoundWorks*, Tom fue el responsable de muchos de los productos de entretenimiento doméstico y multi-media de mayor venta en el mercado hoy en día. También ha mantenido cargos de gestión en el desarrollo de productos para Advent y Kloss Video.

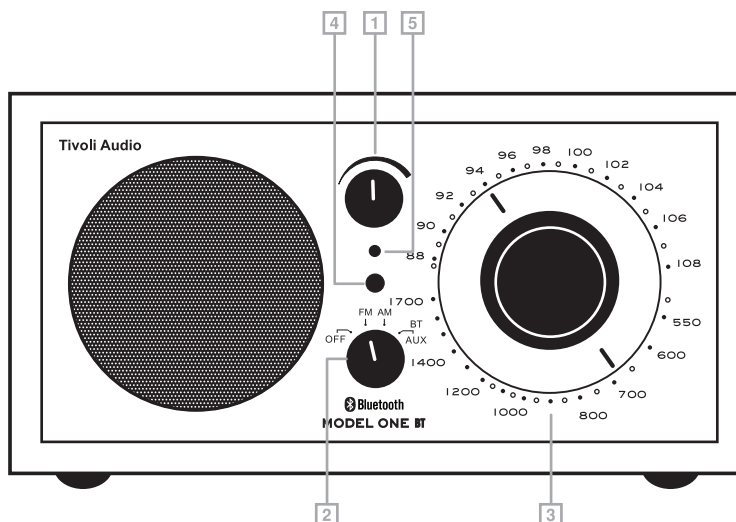
*Cambridge SoundWorks es una marca registrada de Creative Technology, Singapur.

Equipado con su Model One BT usted debe encontrar cada uno de los siguientes elementos:

- Un cable de corriente de 1 2.74 m
- Una (1) antena FM con cable o una (1) antena FM telescópica (dependiendo del país)

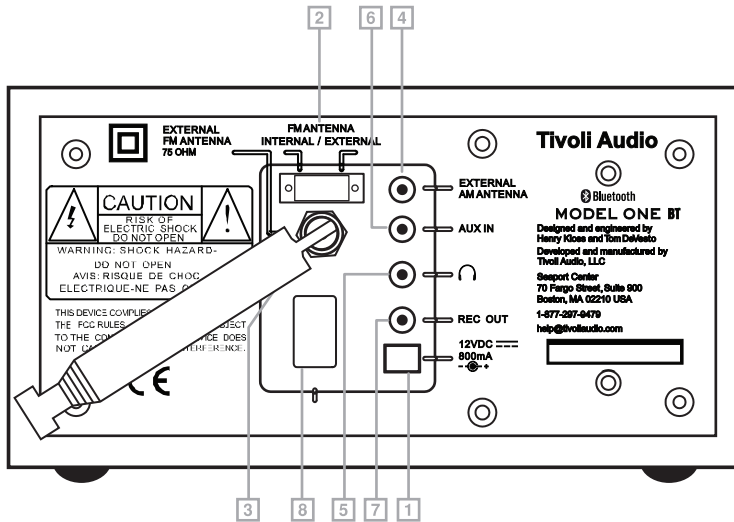
Por favor, póngase en contacto con su distribuidor o Tivoli Audio, si cualquiera de estos artículos están perdidos.

Guía De Características (Frente)



1. **BOTON DE VOLUMEN:** Gire el botón de volumen hacia la derecha para aumentar el volumen y hacia la izquierda para reducirlo. Este botón controla también el volumen de la salida de auriculares.
2. **BOTON OFF/FM/AM/AUX:** Gire el botón una posición hacia la derecha para escuchar la banda de FM, dos posiciones para escuchar la banda de AM y tres posiciones para seleccionar la entrada auxiliar. Para activar *Bluetooth*, cambie a la posición de auxiliar y siga los pasos descritos en la "*Bluetooth Operación*".
3. **SINTONIZACIÓN:** Gire el botón de sintonización a la derecha o a la izquierda para modificar el rango de frecuencia. El indicador de sintonización alcanza el máximo de luminosidad cuando se logra la mejor sintonización posible. Algunas estaciones AM, débiles pero que pueden escucharse, no hacen encender el indicador de sintonización y tendrán que sintonizarse hasta lograr la señal más clara y más alta posible.
4. **INDICADOR DE SINTONIZACIÓN:** Se enciende una luz de color ámbar cuando se ha logrado la mejor sintonización posible. En algunas estaciones de la AM el indicador de sintonización no se enciende: tendrán que sintonizarse a oído para lograr la señal más clara.
5. **LUZ DE ALIMENTACIÓN:** Se enciende una luz verde cuando la unidad está funcionando.

Guía De Características (Parte Trasera)



- 12VDC/800mA:** Utilice esta entrada para conectar el Model One BT a una fuente de energía de corriente continua.
- SELECTOR DE ANTENA FM:** Escoja entre la antena interna o externa aquí.
- CONEXION FM EXTERNA:** Cuando escuche FM, dependiendo del país, tendrá que conectar el cable de antena incluido en accesorios, en el conector F, o bien ajustar la antena exterior telescópica. En lugares donde la señal FM es fuerte, puede mejorar la recepción reduciendo la longitud de la antena. Cuando la unidad está apagada o cuando escucha la AM, mantenga la antena retraída para protegerla. La antena no tiene ninguna influencia en la recepción AM. Para más detalles vea el apartado “Recepción”.
- CONEXIÓN AM EXTERNA:** En algunas ocasiones la recepción de AM puede mejorarse conectando una antena de AM (no incluida) a esta entrada, que acepta un conector mini estéreo de 3.5mm. Para más detalles vea el apartado “Recepción”.
- SALIDA DE AURICULARES:** Conecte a este conector una clavija de auriculares para escuchar con auriculares. Al introducir la clavija se desactivará el altavoz principal.
- AUX IN:** Conecte a esta entrada estéreo una fuente de sonido estéreo o mono (lector de CD's o televisor). La entrada auxiliar no está disponible cuando un dispositivo *Bluetooth* está conectado. Primero debe desconectar cualquier dispositivo *Bluetooth* para poder usar la función de la entrada auxiliar.
- REC OUT:** El Model One BT puede utilizarse como sintonizador separado pasando del “record out” a un amplificador. Utilizando esta salida, también puede grabar en mono.
- ENTRADA DE CA:** Conecte el cable de alimentación incluido a esta entrada. Cuando desconecte el cable de la pared hágalo tirando del conector, nunca lo haga tirando del cable. No sitúe el cable de alimentación junto al cable de antena de FM o cualquier otro cable de audio ya que podría causar interferencias en el sonido.

Bluetooth Operación

Antes de realizar la vinculación, verifique que el dispositivo compatible con *Bluetooth 2.1+EDR A2DP* y el dispositivo no está conectado con cualquier producto *Bluetooth*. Los dispositivos pueden vincularse de manera diferente. A continuación se muestra una guía general.

1. Encienda el Model One BT en la posición de auxiliar. Esto permite vincular *Bluetooth*. Suba el volumen alrededor de $\frac{1}{4}$ de empezar. Suba también el volumen en el dispositivo fuente, (el dispositivo desde el cual está transmitiendo el audio).
2. Encienda la tecnología inalámbrica *Bluetooth* en el dispositivo habilitado.
3. Seleccione "Tivoli *Bluetooth* (Not Paired)" cuando aparece en la pantalla de su dispositivo para iniciar la búsqueda. Algunos dispositivos pueden solicitar un PIN. Si es así, introduzca "0000". "Tivoli *Bluetooth*" cambiará de "Not Paired" a "Connected".
4. Oirá un tono de llamada en el Model One BT confirmando la conexión y podrá empezar a escuchar sus archivos de música de forma inalámbrica. Ajuste el nivel del volumen en su dispositivo. Usted no debería tener que emparejar el dispositivo de nuevo. **Dependiendo de su dispositivo, quizá necesite hacer intentos múltiples para emparejarlo y/o conectarlo al Model One BT, pero dele un tiempo adecuado a su dispositivo para que se empareje o conecte antes de repetir el proceso.**

Emparejar Un Tecnología Inalámbrica *Bluetooth* Habilitado Para iPhone / iPod touch / iPad

1. Encienda el Model One BT a la posición de auxiliar. Esto permite vincular de voluntad en el *Bluetooth*. Suba el volumen alrededor de $\frac{1}{4}$ de empezar. Suba también el volumen en el dispositivo fuente, (el dispositivo desde el cual está transmitiendo el audio).
2. Seleccione "Settings" (Según la versión de software del dispositivo).
3. Seleccione "General".
4. Seleccione "*Bluetooth*".
5. Cambiar *Bluetooth* "On" para iniciar la búsqueda.
6. Seleccione "Tivoli *Bluetooth* (Not Paired)" cuando aparezca en la pantalla. Si se le pide que introduzca un PIN, introduzca "0000". "Tivoli *Bluetooth*" cambiará de "Not Paired" a "Connected".
7. Oirá un tono de llamada en el Model One BT y usted puede comenzar a jugar sus archivos de música de forma inalámbrica. Ajuste el nivel de volumen del dispositivo. Usted no debería tener que sincronizar el iPhone / iPod / iPad nuevo.

El nivel de volumen de salida de archivos de música varía. Si usted prefiere un nivel de producción aún más, comprobar la configuración de tu iPhone / iPod touch / iPad: Ajuste el EQ Off, el Sound-Check Off, y el límite de volumen Off.

Si alguna vez encuentras un problema, pulse la pequeña flecha a la derecha de "Tivoli *Bluetooth*" en tu iPhone / iPod touch / iPad la pantalla y seleccione "Forget this Device", a continuación, repita el proceso de emparejamiento. **Dependiendo de su dispositivo, quizá necesite hacer intentos múltiples para emparejarlo y/o conectarlo al Model One BT, pero dele un tiempo adecuado a su dispositivo para que se empareje o conecte antes de repetir el proceso.**

Cuando escuche la transmisión puede pulsar en la flecha azul a la derecha de la pista siguiente botón >>/ en el iPhone / iPod touch / iPad la pantalla para alternar entre el iPhone / iPod / iPad y *Bluetooth*.

- El Model One BT va a recordar la información de sincronización con hasta 8 dispositivos. Dispositivos adicionales pueden emparejarse, pero el dispositivo menos usado recientemente se sustituye por el dispositivo recién emparejado.
- Si el audio se pierde o se detiene durante la reproducción, mueva el dispositivo más cercano a la Model One BT, o asegúrese de que otro dispositivo inalámbrico no está interfiriendo con la señal.
- Cuando se cambia de *Bluetooth* para AM o FM, es posible que tenga que volver a ajustar el volumen de la radio.

Recepción

El interior de las antenas FM y AM proporcionará una buena recepción. Los edificios construidos con hormigón, acero, o aluminio impedirá la recepción. Los electrodomésticos, mantas eléctricas, computadoras, reproductores de CD y otros dispositivos electrónicos también pueden afectar negativamente la recepción o producir ruido. Si usted experimenta esto, puede mover el Model One BT de radio o conectarlo a una toma de corriente que no esté compartida por otro dispositivo. Las superficies de metal también puede dificultar la recepción de AM.

Colocación

Coloque la unidad sobre una superficie plana y estable. No bloquee el puerto de graves inferior. Mantenga el Model One BT al menos 12,7 cm lejos de un monitor de computadora o la televisión. El Model One BT de radio se puede colocar tanto vertical como horizontalmente. En una librería, mueble, o cerca de paredes o esquinas puede aumentar los bajos.

Limpieza

Nunca use limpiadores abrasivos o solventes en su radio. Evite rociar sprays sobre las ceras o lacados. Desenchufe el Model One BT la radio antes de la limpieza. Puede ser limpiado con un paño suave y un poco húmedo. Pintar o teñir la caja de madera implica la anulación de la garantía.

Las variaciones en el color y el grano son características de la madera real y dan a la caja de su belleza natural. Como resultado, el acabado de la caja puede no coincidir con otros productos de Tivoli Audio.

También tenga en cuenta algunos acabados, en particular, de nogal, se puede oscurecer con el tiempo de exposición a la luz. Esto es normal para un producto de madera natural.

NOTA: cajas de Tivoli Audio utilizan chapas de madera auténtica. Dado que la madera natural varía mucho, no es posible lograr un exacto madera de color / grano partido entre los modelos. También puede observar la madera se oscurecen con el tiempo con la exposición a la luz del sol. Una vez más, esto es normal para la madera real.

Garantía Limitada

Tivoli Audio fabrica sus productos con unos niveles de calidad muy altos y tenemos plena confianza en su buen funcionamiento. En consecuencia, proveemos al propietario original de este producto de una garantía limitada contra defectos de fabricación en el material y mano de obra. Esta garantía no es transferible.

Los productos adquiridos en la Unión Europea, Suiza y Noruega tienen un período mínimo de garantía de dos años. En los países donde los períodos mínimos de garantía están establecidos por ley, el período de garantía será el legalmente exigido. En todo el resto de lugares, el período de garantía será de un año.

La Garantía Limitada cubre la funcionalidad del producto en su uso designado normal, tal y como se especifica en este Manual del Usuario. No cubre ningún mal funcionamiento o daño ocasionado por uso o instalación indebidos o irrazonables, uso del cargador para cargar pilas alcalinas, de equipo auxiliar defectuoso, modificaciones, reparaciones no autorizadas, pérdida o daños ocasionados por el transporte, abuso, accidentes, uso de corriente o voltaje indebidos, subidas de tensión, caída de rayos u otras causas fortuitas, exceso de humedad, uso o desgaste natural, uso comercial o adquisición en representantes no autorizados. Un justificante de compra que demuestre que la unidad fue adquirida en un representante autorizado puede ser requerido para el servicio de garantía. **Contacte por favor con el representante de compra o el distribuidor local para el servicio de garantía o de reparación.**

Por favor, absténgase de abrir o desmontar este producto ya que con ello invalidaría esta Garantía Limitada. En su interior no hay componentes utilizables. Tivoli Audio no pagará los costes incurridos debido a la corrección de problemas en la recepción, eliminación de interferencias o ruidos generados externamente, pérdida de tiempo, inconveniencias, pérdida de utilidad del producto o daños ocasionados por el uso indebido de este producto.

En el caso que el producto sea devuelto durante el período de garantía y reúna los requisitos para el servicio bajo esta Garantía Limitada, lo repararemos o sustituiremos cualquier componente defectuoso en un periodo de tiempo razonable y sin cargo alguno.

ESTA GARANTÍA LIMITADA LE OTORGA UNOS DERECHOS LEGALES ESPECÍFICOS SUJETOS A CONDICIONES ESPECÍFICAS. USTED TAMBIÉN PUEDE TENER OTROS DERECHOS LEGALES APLICABLES AL PRODUCTO QUE HA ADQUIRIDO. ESTOS DERECHOS LEGALES VARÍAN SEGÚN EL PAÍS. ALGUNOS LUGARES NO PERMITEN LA EXCLUSIÓN, RESTRICCIÓN O MODIFICACIÓN DE DETERMINADOS DERECHOS IMPLÍCITOS O SU EFECTO. EN ESAS SITUACIONES ESTA GARANTÍA LIMITADA SE APLICARÁ SÓLO EN LA MEDIDA QUE PERMITA LA LEY APLICABLE.

Las leyes de su país pueden proveerle de reclamaciones legales ante el vendedor o fabricante de este producto. Esta Garantía Limitada no afecta a esos derechos.

Las disposiciones de esta Garantía Limitada son a cambio de cualquier otra garantía o condiciones, excepto las establecidas por la ley. Esta Garantía Limitada no afecta a cualquier derecho legal que le sea conferido por ley y no excluye ningún recurso que usted pueda tener por ley.

En países donde los límites de responsabilidad no están excluidos por ley, la responsabilidad máxima de Tivoli Audio no excederá el importe de compra desembolsado por usted para el producto. En países donde los límites de responsabilidad están excluidos por ley, Tivoli Audio será responsable por no más que de los daños y perjuicios directos, por daños corporales, y/o de propiedad real o personal ocasionados por negligencia de Tivoli Audio.

Donde no esté prohibido por ley, Tivoli Audio no será responsable de daños especiales, adicionales, resultantes o indirectos. Algunos lugares no permiten limitaciones en la exclusión o restricción

de desagravio, o la limitación de responsabilidad en valores establecidos, de manera que las limitaciones o exclusiones anteriores pueden no ser aplicables en su caso.

Esta Garantía Limitada queda anulada si la etiqueta que muestra el número de serie ha sido extraída o es ilegible.

Si usted adquirió un contrato de servicio prorrogado de su representante y necesita de servicio una vez expirado el período de esta Garantía Limitada, contacte por favor con el proveedor de su contrato de servicio prorrogado para obtener dicho servicio.

Para su comodidad, usted puede registrar su producto para el servicio de garantía online en nuestro sitio web, www.tivoliaudio.com. No tiene ninguna obligación legal de facilitar información personal. Sin embargo, esta información nos permite mantener un registro de los productos Tivoli Audio adquiridos por usted y entender mejor a los compradores de nuestros productos. La información recogida será utilizada con fines de marketing por Tivoli Audio y, cuando sea permitido, para contactarle en relación con los productos adquiridos por usted o con otros productos de Tivoli Audio, u otras compañías, que puedan ser de su interés. La información que usted nos facilite puede ser procesada en otro país.

Visite por favor la sección de Preguntas Frecuentes (FAQ) en www.tivoliaudio.com antes de solicitar cualquier servicio de garantía puesto que la información allí disponible puede contestar a sus preguntas o cuestiones de interés.

Para su comodidad, usted puede registrar su producto para la cobertura de garantía online en nuestro sitio web, www.tivoliaudio.com.

Para cualquier servicio/reparación, contacte por favor con su representante o distribuidor local.

Especificaciones

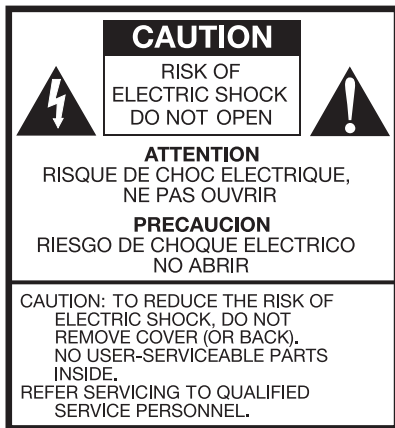
Modelo:	Tivoli Audio® Model One® BT
Tipo:	AM/FM de radio analógica mono mesa con tecnología inalámbrica <i>Bluetooth</i>
Conductor:	Un 76,2 mm (3") gama completa de frecuencias
Dimensione:	21,3 cm W x 11,4 cm H x 13,3 cm D (8,375" W x 4,5" H x 5,25" D)
Peso:	1,88 kg (4,14 lbs)

Todas las especificaciones están sujetas a cambio sin previo aviso.

Tivoli Audio se reserva el derecho a realizar cambios en el producto sin previo aviso.

Tivoli Audio, el logo de Tivoli Audio, y Model One BT son marcas registradas de Tivoli Audio, LLC. La marca *Bluetooth* y sus logotipos son marcas comerciales registradas propiedad de Bluetooth SIG, Inc. y cualquier uso de dichas marcas por parte de Tivoli Audio se encuentra bajo licencia. iPod, iPod touch, iPhone, y iPad touch son marcas comerciales de Apple Inc., registradas en EE UU y en otros países pueden ser marcas comerciales de sus respectivos titulares.





Ce symbole vous averti du risque de choc électrique pour l'utilisateur du fait de la présence à l'intérieur de l'appareil de courant électrique non isolé.



Ce symbole vous averti de l'existence d'importantes instructions d'utilisation et de maintenance dans le mode d'emploi joint à l'appareil.

Précautions D'emploi

1. Lisez ce mode d'emploi.
2. Conservez ce mode d'emploi.
3. Respectez toutes les mises en garde.
4. Suivez toutes les instructions.
5. N'utilisez pas cet appareil près d'une source d'eau, telle qu'une baignoire, un sous-sol humide, ou une piscine. Attention : ne pas exposer cet appareil à la pluie ou au risque de moisissure.
6. Nettoyez votre appareil avec un chiffon doux, n'utilisez ni savon, ni produit aerosol.
7. Ne bloquez pas les ouvertures de ventilation. Suivez les recommandations d'installation.
8. N'exposez pas votre appareil à des sources de chaleur telles que la cheminée, le radiateur ou un amplificateur.
9. Raccordez votre appareil au secteur en respectant les normes de sécurité courantes.
10. Placez le câble d'alimentation de manière telle qu'il ne soit pas dans le passage.
11. N'utilisez que les accessoires fournis avec votre appareil.
12. Utilisez uniquement le chariot, un trépied, une console ou table spécifiés par le fabricant, ou vendu avec l'appareil. Quand un chariot est utilisé, soyez prudent lorsque vous déplacez l'ensemble chariot / appareil afin d'éviter toute blessure en cas de chute.



13. Débranchez votre appareil en cas de risque de foudre ou pendant une absence prolongée de votre domicile.
14. Contrôlez la correspondance entre la tension électrique de votre installation et le voltage requis pour votre appareil.
15. En cas de problème technique, débranchez votre appareil et faites le parvenir au service technique qualifié en particulier:
 - a. Si le cordon d'alimentation est endommagé.
 - b. Si du liquide s'est introduit dans l'appareil.

- c. Si votre appareil a séjourné sous la pluie ou de l'eau.
 - d. Si votre appareil ne fonctionne pas normalement.
 - e. Si votre appareil est tombé ou a été endommagé.
 - f. Si les performances de votre appareil sont affectées d'une quelconque manière.
16. Lorsque des pièces de rechange sont nécessaires, assurez-vous de votre technicien a utilisé des pièces de rechange spécifiées par le fabricant ou ayant les mêmes caractéristiques que la pièce d'origine. Des substitutions non autorisées peuvent causer un incendie, de choc électrique, ou d'autres dangers.
 17. À la fin de tout service, demandez au technicien d'effectuer des contrôles de sécurité pour confirmer que le produit est en bon état de fonctionnement.
 18. N'exposez pas cet appareil a des projections d'eau. Les objets contenant du liquide ne doivent pas être placés à proximité de votre appareil ou au dessus.
 19. La température de fonctionnement de votre appareil est de 5 à 40° C (41°F -104°F).
 20. L'entrée 12 VDC est adapté pour utiliser ce produit dans un bateau ou camping-car en utilisant un 12 VDC en option, 1 A fusionné adaptateur.
 21. Une antenne externe ne doit pas être installée au dessus de lignes électriques ou risquer de tomber sur une ligne ou des circuits électriques. Ceci pourrait représenter un danger mortel.
 22. AVERTISSEMENT - Les conduites ne sont pas déconnectés de la position d'arrêt, mais les circuits ne sont pas alimentés.
 23. Le Canada se conforme à la norme RSS210, ICES-003.
 24. Le cordon d'alimentation sert de dispositif de déconnexion et doit rester facilement accessible.



AVERTISSEMENT: L'ANTENNE TÉLESCOPIQUE D'UN MODÈLE EXTERNE FIXÉ N'EST PAS DESTINÉE À ÊTRE DÉTACHÉE.



Cet appareil peut être recyclé. Les produits portant ce symbole ne doivent pas être jetés avec les ordures ménagères. En fin de vie, vous devez déposer votre appareil dans un point de collecte de produits électriques et électroniques. Pour plus d'informations, vous pouvez contacter votre revendeur ou l'agence locale de l'environnement.

La Directive européenne pour l'élimination des déchets d'équipements électriques et électroniques (DEEE) a été mise en application pour réduire de manière importante la quantité de déchets afin de diminuer l'impact écologique sur la planète et sur la santé. Agissez de manière responsable en recyclant les produits usagers. Si ce produit est toujours en état de fonctionnement, pensez à le vendre ou à le donner.

Model One BT Instructions

Félicitations pour votre achat de la radio de table Model One BT. Nous croyons que le Model One BT est l'une des meilleurs radios de table mono analogiques sur le marché aujourd'hui. Avec l'ajout de la technologie *Bluetooth* sans fil, vous pouvez écouter votre musique sans fil grâce au Model One BT.

Nous savons que vous êtes impatients d'utiliser votre nouvelle radio, mais s'il vous plaît un moment pour lire ce manuel d'utilisation et ses consignes de sécurité. Si vous avez des questions, n'hésitez pas à contacter votre revendeur ou directement Tivoli Audio.

S'il vous plaît conservez le carton et l'emballage d'origine au cas où vous aurez besoin d'expédier votre radio. Les dommages liés au transport ne sont pas couverts par la garantie d'usine.

Au nom de nous tous, je vous remercie d'avoir choisi Tivoli Audio et profitez de votre nouvelle radio Model One BT.

A Propos De Tivoli Audio

A propos de Tivoli Audio, la marque Tivoli Audio a été créée par Tom DeVesto. Son but était de créer des produits au design élégant, de qualité audio remarquable et d'utilisation simple. En qualité de Directeur Exécutif (CEO) et Directeur du département Recherche et Développement, de sa précédente entreprise Cambridge SoundWorks* Tom DeVesto a mis au point de très performants produits destinés aux marchés de la Haute Fidélité ou du Multimédia. Tom a également fait partie du comité de direction d'entreprises telles qu'Advent et Kloss Video.

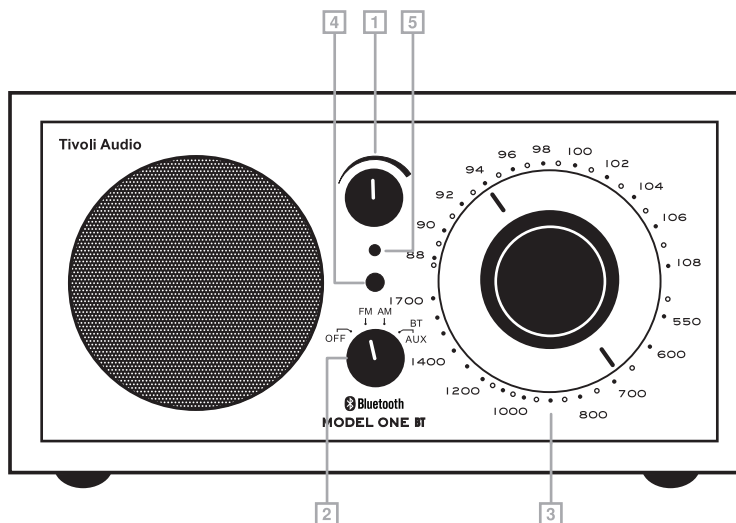
*Cambridge SoundWorks est une marque déposée de Creative Labs, Singapour.

Emballé avec votre Modèle BT, vous devriez trouver:

- Un (1) cordon d'alimentation de 2,7 m pièce.
- Une (1) antenne FM filaire OU une (1) antenne FM télescopique intégrée (selon le pays)

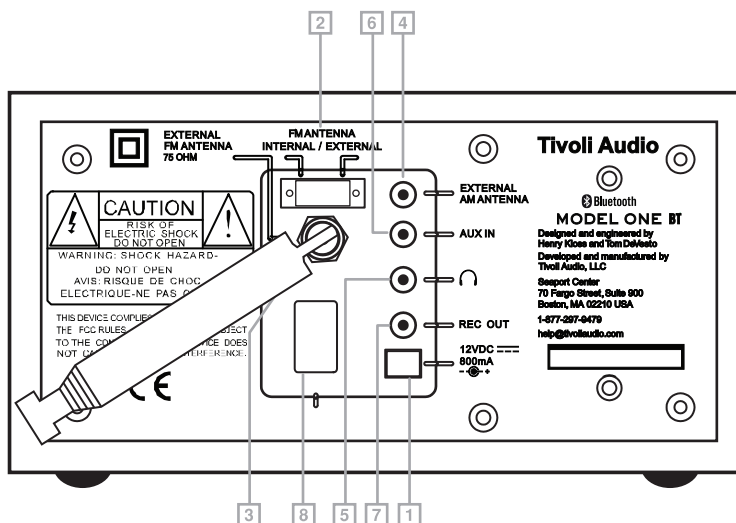
S'il vous plaît contactez votre revendeur ou Tivoli Audio, si n'importe lequel de ces éléments est manquant.

Guide Des Fonctions (Partie Avant)



1. **BOUTON DE VOLUME:** Tourner le bouton de volume vers la droite pour augmenter le volume ou vers la gauche pour le réduire. Ce bouton contrôle également la sortie casque.
2. **SÉLECTEUR OFF/FM/AM/AUX:** Tourner ce bouton d'un cran vers la droite pour écouter la FM (Modulation de fréquence), deux crans pour écouter la AM (Ondes moyennes), ou de 3 crans pour l'entrée auxiliaire (Aux). Pour activer la fonction *Bluetooth*, passez à la position auxiliaire et suivez les étapes décrites dans l' "Utilisation de *Bluetooth*".
3. **SYNTONIE:** Tourner le bouton vers la droite ou vers la gauche pour varier la fréquence. L'indicateur de syntonie devient lumineux au maximum lorsque la syntonie est optimale. Certaines stations AM qui ont un signal faible, mais perceptible, ne provoquent pas l'allumage de l'indicateur de syntonie; il faut alors effectuer la syntonie «à l'oreille»
4. **INDICATEUR SYNTONIE:** Emet une lumière couleur amber clair lorsque la syntonie est excellente. Certaines stations AM qui ont un signal faible, mais perceptible, ne provoquent pas l'allumage de l'indicateur de syntonie; il faut alors effectuer la syntonie «à l'oreille» pour optimiser la qualité du signal.
5. **VOYANT ALIMENTATION:** Emet une lumière verte lorsque l'appareil est allumé.

Guide Des Fonctions (Partie Arrière)



- 12VDC/800mA:** Utiliser cette entrée pour faire fonctionner le Modèle Uno avec une alimentation en c.c.
- COMMUTATEUR ANTENNE FM:** Permet de sélectionner l'antenne interne ou l'antenne externe.
- CONNECTEUR FM EXTERNE:** Lorsque vous écoutez la bande FM, selon le pays habité, faites glisser le fil d'antenne sur ce connecteur F, ou ajustez la position et l'antenne télescopique. Dans les lieux où le signal FM est fort, la réception générale est améliorée en réduisant la longueur de l'antenne. Lorsque l'appareil n'est pas utilisé ou que l'on écoute des stations en AM, laisser l'antenne en position rentrée pour éviter de l'abîmer accidentellement. Cette antenne n'a aucun effet sur la réception en AM.
- CONNECTEUR AM EXTERNE:** Dans certains cas la réception en AM peut être améliorée par l'utilisation d'une antenne externe (non fournie), raccordée sur ce connecteur par l'intermédiaire d'un mini jack 3,5 mm.
- SORTIE CASQUE:** Raccorder à ce connecteur une fiche à jack séparée pour le casque pour
- AUX IN:** Raccorder une source audio stéréo ou mono (par exemple: un lecteur de CD ou un téléviseur) à cette entrée stéréo. REMARQUE: La prise Aux In n'est pas disponible lorsqu'un périphérique *Bluetooth* est connecté. Avant de pouvoir utiliser la fonction câblée Aux In vous devez d'abord déconnecter tous les périphériques *Bluetooth*.
- REC OUT:** Le Modèle Uno peut être utilisé en tant que syntoniseur séparé en accordant la sortie REC OUT à un amplificateur. Cette sortie permet également d'enregistrer en monophonie.
- ENTRÉE CA** Raccorder le câble secteur fourni sur ce connecteur. Lorsque vous devez débrancher ce câble saisissez toujours la prise. Nous vous recommandons d'utiliser un boîtier de protection de anti surcharge électrique. N'emmêlez pas le câble secteur avec d'autres câbles audio ou d'antenne, il pourrait en résulter des bruits parasites.

Utilisation De *Bluetooth*

Avant de chercher à vous connecter, vérifiez la compatibilité de votre appareil avec la technique *Bluetooth 2.1+EDR A2DP*. Assurez-vous que votre appareil n'est pas déjà couplé à un autre accessoire *Bluetooth*. Selon les appareils, le mode d'appairage peut varier. Mode de couplage général:

1. Allumez votre Model One BT sur la position Aux. Ceci activera le *Bluetooth*. Réglez le volume à ¼ au début. Veillez également à augmenter le volume de votre périphérique source (le périphérique à partir duquel vous transmettez).
2. Activez le *Bluetooth* sur votre appareil.
3. Sélectionnez « Tivoli *Bluetooth* (non connecté) » lorsqu'il apparaît sur l'écran de votre appareil afin de démarrer la recherche. Si votre appareil vous demande une clé de connexion, tapez « 0000 ». L'indication devant Tivoli *Bluetooth* passera de « Non connecté » à « Connecté ».
4. La connexion sera confirmée par l'émission d'un bip sonore au niveau du Model One BT. Vous pouvez maintenant envoyer « sans fil » vos fichiers musicaux. Ajustez le niveau sonore de votre appareil. Vous ne devriez pas avoir à effectuer de nouveau cette procédure pour retrouver la connexion. **Selon le modèle de votre périphérique, il se peut qu'il soit nécessaire de faire plusieurs tentatives d'Appairage et/ou de Connexion au Model One BT ; veillez cependant à laisser suffisamment de temps à votre périphérique pour l'Appairage ou la Connexion avant de répéter l'opération.**

Couplage D'un iPhone, iPad Ou iPod Touch En *Bluetooth*

1. Allumez votre Model One BT sur la position Aux. Ceci activera le *Bluetooth*. Réglez le volume à ¼ au début. Veillez également à augmenter le volume de votre périphérique source (le périphérique à partir duquel vous transmettez).
2. Sélectionnez « Réglages » (selon la version du logiciel de votre appareil).
3. Sélectionnez « Général ».
4. Sélectionnez « *Bluetooth* ».
5. Commutez le réglage sur « Activé » pour démarrer la recherche.
6. Choisissez « Tivoli *Bluetooth* (non connecté) » sur l'écran. Si l'entrée d'un PIN est requis, entrez « 0000 », « Connecté » s'affichera en face de « Tivoli *Bluetooth* ».
7. La connexion sera confirmée par l'émission d'un bip sonore au niveau du Model One BT. Vous pouvez maintenant envoyer « sans fil » vos fichiers musicaux. Ajustez le niveau sonore de votre appareil. Vous ne devriez pas avoir à effectuer de nouveau cette procédure pour retrouver la connexion iPhone, iPod ou iPad.

Le niveau sonore des fichiers musicaux peuvent être très différents. En fonction de vos préférences, modifiez les réglages de votre iPhone, iPod ou iPad : Réglez Egaliseur de volume « off », Egaliseur « désactivé » et Volume maximum « non ».

Si vous rencontrez des difficultés de connexion, dans le menu *Bluetooth*, utilisez la flèche à droite de « Tivoli *Bluetooth* » pour accéder à l'écran suivant et « Oublier cet appareil », puis recommencez la procédure de couplage. **Selon le modèle de votre périphérique, il se peut qu'il soit nécessaire de faire plusieurs tentatives d'Appairage et/ou de Connexion au Model One BT; veillez cependant à laisser suffisamment de temps à votre périphérique pour l'Appairage ou la Connexion avant de répéter l'opération.**

Pendant l'écoute de musique sur votre iPhone, iPod ou iPad, vous pouvez utiliser la flèche à droite de la touche « next » de votre écran pour alterner l'écoute entre votre appareil et le *Bluetooth*.

- Le Model One BT garde en mémoire le couplage de 8 appareils. Si vous tentez de coupler un appareil complémentaire, il viendra remplacer l'appareil le moins utilisé.
- En cas de problème de connexion, par exemple des drop-outs ou arrêts, rapprochez votre appareil source du Model One BT et assurez vous qu'aucun autre appareil sans fil n'est présent à proximité et pourrait générer des interférences.
- Lorsque vous basculez de l'écoute de la radio au signal *Bluetooth*, il vous faudra peut-être ajuster le niveau.

Réception

Les antennes interne FM et AM offriront une bonne réception. Les bâtiments réalisés avec du béton, de l'acier, ou du bardage en aluminium pourant gêner la réception. Appareils ménagers, couvertures électriques, les ordinateurs, les lecteurs de CD, et autres appareils électroniques peuvent aussi nuire à la réception ou injecter du bruit. Si vous rencontrez ce problème, déplacez le Model One BT radio plus loin de l'appareil en cause ou de le brancher dans une prise électrique qui n'est pas partagé par un autre dispositif. Les surfaces métalliques peuvent également gêner la réception AM.

Placement

Placez l'appareil sur une surface plane et stable. Ne pas bloquer le port bass bas. Le Model One BT la radio BT n'est pas blindé vidéo et doit être conservé au moins 12,7 cm loin d'un écran d'ordinateur ou de télévision. Le Model One BT radio peut être positionné verticalement aussi bien qu'horizontalement. Le placement dans une bibliothèque, une armoire ou à proximité murs ou des coins peuvent gonfler les basses.

Nettoyage

Ne jamais utiliser de nettoyants ou de solvants agressifs sur votre radio. Éviter que la pulvérisation sur les cires. Débranchez le Model One BT avant de le nettoyer. Le visage peut être nettoyé avec un chiffon doux légèrement humide. Peindre ou teindre le coffret en bois annulera votre garantie.

REMARQUE : Les enceintes Tivoli Audio sont réalisées en véritable plaqué bois. Comme les variations dans le bois naturel sont importantes, il n'est pas possible d'obtenir une uniformité totale de teinte/grain du bois d'un modèle à l'autre. Vous pourrez remarquer qu'au fil du temps le bois exposé aux rayons du soleil adopte une teinte plus sombre. Là encore, cela est normal pour le bois véritable.

Garantie Limitée En Dehors De L'amérique Du Nord

Tivoli Audio fabrique des produits de très grande qualité et nous vous assurons que nos produits fonctionneront correctement. Si nécessaire, nous offrons à l'acquéreur initial une garantie limitée sur ce produit contre les défauts de fabrication au niveau des matériaux et de la main d'oeuvre. Cette garantie est non transférable.

Les produits achetés dans l'Union européenne et en Norvège sont sous couvert d'une garantie minimale de deux ans. Pour les pays où la garantie minimale est déterminée par la loi, les termes de la garantie sont applicables selon la période légale requise. Pour tout autre emplacement géographique, la garantie dure un an.

Cette garantie limitée couvre le fonctionnement du produit dans le cadre d'une utilisation normale telle que celle prévue par le manuel de l'utilisateur. Elle ne couvre pas les dysfonctionnements ou les dommages provenant d'une mauvaise utilisation ou installation, de l'utilisation du chargeur pour recharger les piles alcalines, d'équipements auxiliaires défectueux, d'une réparation non autorisée, de dégâts ou d'une perte lors du transport du produit, d'une détérioration, d'une utilisation avec une tension/un courant non adapté, d'une surtension, de la foudre ou autre cas de force majeure, d'une humidité excessive, d'un degré d'usure normal, d'une utilisation commerciale ou d'un achat à des revendeurs non autorisés. Il peut être nécessaire de fournir une preuve d'achat indiquant que le produit a bien été acquis chez un revendeur certifié pour bénéficier de la garantie. **Veillez contacter le point de vente ou le distributeur local pour tout service ou toute réparation couverte par la garantie.**

Veillez éviter d'ouvrir ce produit ou d'en détacher les composants sous peine d'annuler la garantie limitée. Les composants internes de produit ne sont pas réparables par l'utilisateur. Tivoli Audio ne prendra pas à sa charge les frais induits en cas de correction d'un problème de réception, pour l'élimination du bruit/bruit de fond, de retard, de gêne, de perte fonctionnelle du produit, ou de dommage causé par une mauvaise utilisation du produit.

Si le produit devait être renvoyé au cours de la période de garantie et que cette dernière couvre la maintenance nécessaire, nous réparerons ou remplacerons toute pièce défectueuse dans des délais raisonnables et sans frais.

CETTE GARANTIE LIMITÉE VOUS CONFÈRE DES DROITS LÉGAUX SPÉCIFIQUES SUJETS À DES CONDITIONS DÉFINIES. D'AUTRES DROITS LÉGAUX S'APPLIQUANT AU PRODUIT QUE VOUS AVEZ ACHETÉ PEUVENT ÉGALEMENT VOUS ÊTRE CONFÉRÉS. CES DROITS LÉGAUX VARIENT D'UN PAYS À L'AUTRE. CERTAINS PAYS INTERDISENT L'EXCLUSION, LA RESTRICTION OU LA MODIFICATION DE CERTAINS DROITS TACITES OU DE LEURS EFFETS. DANS CE CAS, CETTE GARANTIE LIMITÉE NE S'APPLIQUERA QUE DANS LA MESURE OÙ LA LOI APPLICABLE LE PERMET.

Les lois de votre pays peuvent vous permettre d'exercer une réclamation légale contre le vendeur ou le fabricant de ce produit. Cette garantie limitée n'affecte en rien ces droits.

Les dispositions légales de cette garantie limitée prévalent sur les autres garanties ou conditions, exception faite de celles prévues par la loi. Cette garantie limitée n'affecte aucun droit légal qui vous est conféré par la loi et ne constitue aucun obstacle aux actions légales auxquelles vous pouvez recourir.

Dans les pays où la limite de responsabilité n'est pas affectée par la loi, la responsabilité maximale de of Tivoli Audio ne dépasse pas le prix de vente de ce produit. Dans les pays où la limite de responsabilité est affectée par la loi, Tivoli Audio ne peut être tenu responsable que dans les cas de dommages directs à la personne et/ou à la propriété personnelle réelle provenant d'une négligence de Tivoli Audio.

Si la loi ne l'interdit pas, Tivoli Audio ne saurait être reconnu responsable en cas de dommages spéciaux, accessoires, accidentels ou indirects. Certaines zones géographiques n'autorisent pas la limite sur l'exclusion ou la limitation des dommages spéciaux, accessoires, accidentels ou indirects, ou la limite de responsabilité relative aux quantités définies. Le cas échéant, les limites ou exclusions précédemment mentionnées ne s'appliquent pas à votre cas.

Cette garantie limitée est annulée si l'étiquette où figure le numéro de série a été retirée ou abimée.

Si vous avez acquis auprès de votre point de vente un contrat de maintenance prolongé et qu'une maintenance est nécessaire une fois la période de garantie terminée, veuillez contacter le fournisseur de votre contrat de maintenance prolongé pour pouvoir en bénéficier.

À des fins pratiques, vous pouvez enregistrer votre produit en ligne pour bénéficier de la garantie via notre site Internet : www.tivoliaudio.com. La loi ne vous oblige aucunement à fournir vos informations personnelles. Toutefois, ces informations nous permettent de constituer un dossier des produits Tivoli Audio que vous avez achetés et de mieux comprendre nos clients. Les informations obtenues seront utilisées à des fins commerciales par Tivoli Audio et nous pourrions, si vous le permettez, vous contacter au sujet des produits que vous avez achetés ou d'autres produits susceptibles de vous intéresser chez Tivoli Audio ou d'autres marques. Les informations que vous fournissez peuvent être envoyées et traitées dans d'autres pays.

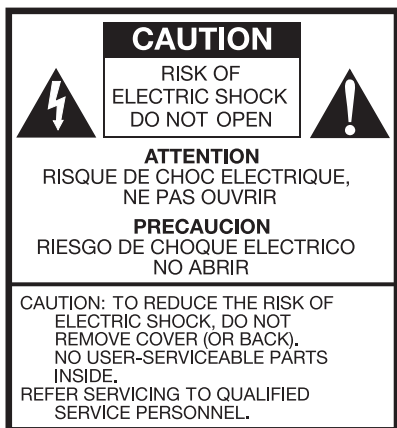
Pour bénéficier des services proposés, veuillez contacter votre point de vente ou votre distributeur local.

Spécifications

Modèle	Tivoli Audio® Model One® BT
Type:	Radio AM/FM analogique de table mono avec la technologie <i>Bluetooth</i> sans fil
Driver:	Un 76,2 mm (3") d'attaque pleine gamme
Dimensions:	21,3 cm W x 11,4 cm H x 13,3 cm D (8,375" W x 4,5" H x 5,25" D)
Poids:	1,88 kg (4,14 lbs)

Tivoli Audio se réserve le droit de modifier ses produits sans préavis. Tivoli Audio, les logos Tivoli Audio et Model One BT sont des marques déposées, propriétés de Tivoli Audio LLC. Produits et design protégés par des brevets. La marque *Bluetooth* et les logos sont des marques déposées appartenant à Bluetooth SIG, Inc et toute utilisation de ces marques par Tivoli Audio est sous licence. iPod, iPod touch, iPhone, et iPad sont des marques d'Apple Inc. déposées aux États-Unis et dans d'autres pays.





Questo simbolo serve per segnalare all'utente la presenza di "tensioni pericolose" non isolate all'interno del guscio del prodotto che potrebbero essere sufficienti per rappresentare un pericolo di shock elettrico per le persone.



Questo simbolo serve per segnalare all'utente la presenza di importanti istruzioni di manutenzione (assistenza) e utilizzo nella documentazione che accompagna il dispositivo.

Importanti Istruzioni Di Sicurezza

1. Leggete queste istruzioni.
2. Conservare queste istruzioni.
3. Rispettare tutte le avvertenze.
4. Seguite tutte le istruzioni.
5. ATTENZIONE - Per ridurre il rischio di shock elettrici, non esponete questo prodotto alla pioggia o all'umidità.
6. Pulire solo con un panno asciutto.
7. Non bloccare le aperture di ventilazione. Installare secondo le istruzioni del produttore.
8. Non installare vicino a fonti di calore come radiatori, termosifoni, stufe o altri apparecchi (inclusi amplificatori) che producono calore.
9. Non annullare l'obiettivo di sicurezza della spina polarizzata o di terra spina. Una spina polarizzata ha due lame, una più larga dell'altra. Una spina con messa a terra ha due lame e un terzo polo di terra. La lama larga o le punte terzi sono forniti per la vostra sicurezza. Se la spina fornita non entra nella presa, consultare un elettricista per la sostituzione della presa obsoleta.
10. Proteggere il cavo elettrico da calpestamento o pieghe in particolare su spine, spazi di comodo, punto di uscita dall'apparecchio.
11. Utilizzare solo annessi/accessori specificati dal produttore.
12. Utilizzate solo il carrello, l'appoggio, il treppiede, o il tavolo specificato dal produttore, o venduto con il dispositivo. Quando si usa un carrello, fate prudenza nel movimentare la combinazione di dispositivo e carrello per evitare infortuni dovuti al rovesciamento.
13. Scollegare questa unità in caso di temporali o quando rimane inutilizzata per lunghi periodi.
14. Utilizzate il prodotto solo con il tipo di alimentazione indicato sul pannello posteriore. Per prodotti che usano un alimentatore esterno, utilizzate un alimentatore sostitutivo esattamente uguale in caso di perdita o danneggiamento dell'originale. Per prodotti che utilizzano batterie, fate riferimento alle istruzioni nel manuale utente.



15. Scollegate questo prodotto dalla presa a muro e portatelo in riparazione a personale qualificato se si verifica una delle seguenti condizioni:
 - a. Quando il cavo di alimentazione o la presa sono danneggiati.
 - b. Se del liquido è colato o degli oggetti sono caduti sul prodotto.
 - c. Se il prodotto è stato esposto a acqua o pioggia.
 - d. Se il prodotto non funziona normalmente seguendo le istruzioni di utilizzo.
 - e. Se il prodotto è stato fatto cadere o danneggiato in altro modo.
 - f. Quando il prodotto mostra un importante degrado delle prestazioni.
16. Quando parti di ricambio sono necessari, assicurarsi che il tecnico abbia utilizzato parti di ricambio specificate dal produttore o aventi le stesse caratteristiche di quelli originali. Sostituzioni non autorizzate possono causare incendi, scosse elettriche o altri pericoli.
17. Al termine di qualsiasi servizio, chiedere al tecnico di eseguire controlli di sicurezza per confermare il prodotto è in perfette condizioni operative.
18. Il dispositivo non deve essere esposto a gocciolamenti o spruzzi, né oggetti con liquidi devono essere posti sul dispositivo.
19. La temperatura di utilizzo raccomandata va da 5°C a 40°C (41°F a 104°F).
20. L'ingresso 12 VDC è adatto per il funzionamento di questo prodotto in una barca o camper usando un 12 VDC optional, 1 A fusi adattatore.
21. Non esporre il dispositivo a spruzzi o liquidi colanti. Oggetti contenenti liquidi come vasi o bicchieri non devono essere collocati sopra il prodotto.
22. ATTENZIONE - La rete non venga interrotta in posizione off, ma i circuiti sono de-alimentati.
23. Canada conforme RSS210, ICES-003.
24. La spina del cavo di alimentazione costituisce il dispositivo di scollegamento e deve essere sempre facilmente accessibili.



ATTENZIONE: IL APPOSTO MODEL ONE BT ANTENNA TELESCOPICA ESTERNA NON DEVE ESSERE STACCATO.



Questo prodotto può essere riciclato. I prodotti che mostrano questo simbolo NON devono essere buttati via con i normali rifiuti domestici. Alla fine della vita utile del prodotto, portatelo in un punto di conferimento designato al riciclo di dispositivi elettrici ed elettronici. Chiedete al servizio pubblico più vicino a voi informazioni sui punti di riconsegna e di raccolta.

La Direttiva Europea sui rifiuti di apparecchiature elettriche ed elettroniche (RAEE) è stata realizzata per ridurre drasticamente il volume di rifiuti interrati riducendo di conseguenza l'impatto ambientale sul pianeta e sulla salute umana. Agite responsabilmente riciclando i prodotti usati. Se questo prodotto è ancora utilizzabile, prendete in considerazione la possibilità di consegnarlo ad altri o venderlo.

Model One BT Istruzioni

Congratulazioni per l'acquisto della radio da tavolo Model One BT. Crediamo che la Model One BT sia una delle migliori radio da tavolo mono analogiche sul mercato oggi. Con l'aggiunta di tecnologia wireless *Bluetooth*, è possibile trasmettere la tua musica in modalità wireless alla Model One BT.

Sappiamo che siete ansiosi di utilizzare la nuova radio, ma vi preghiamo di prendere un momento per leggere questo manuale e istruzioni di sicurezza. Se avete domande, non esitate a contattare il proprio rivenditore o Tivoli Audio.

Si prega di conservare la scatola e l'imballo originale. Dovesse essere mai necessario spedire la radio, il danno di trasporto non è coperto dalla garanzia di fabbrica.

A nome di tutti noi, grazie per aver scelto Tivoli Audio. Vi auguriamo di godere della vostra nuova Model One BT radio.

A Proposito Di Tivoli Audio

Tivoli Audio è stata fondata da Tom DeVesto con l'intenzione di dare al consumatore prodotti di facile utilizzo, dal design elegante e con elevata qualità audio. Come CEO e capo del dipartimento di ricerca e sviluppo della sua precedente azienda, Cambridge Soundworks, Tom si è occupato dello sviluppo di molti dei prodotti di home entertainment e multimediali più venduti sul mercato. Ha inoltre occupato posizioni chiave per lo sviluppo prodotto in Advent e Kloss Video.

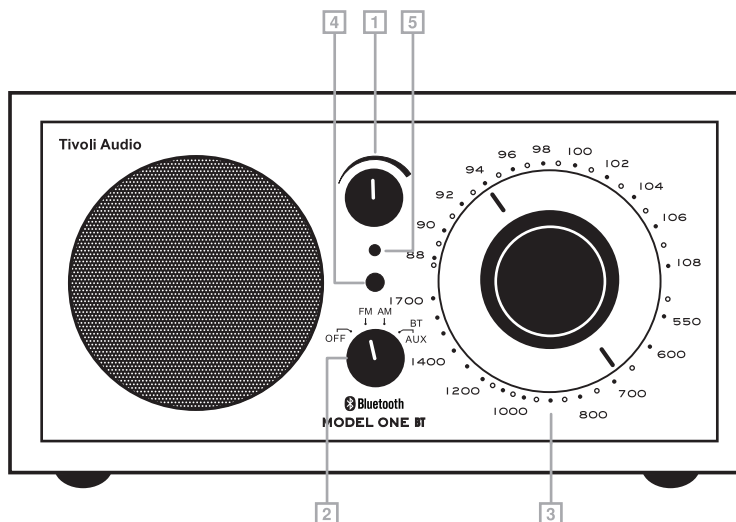
*Cambridge SoundWorks è un marchio registrato di Creative Labs, Singapore.

Nella confezione con la Model One BT si dovrebbe trovare:

- Un (1) cavo di alimentazione da 2,7 m
- Una (1) antenna a filo FM OPPURE una (1) antenna telescopica FM collegata (in base al paese di utilizzo)

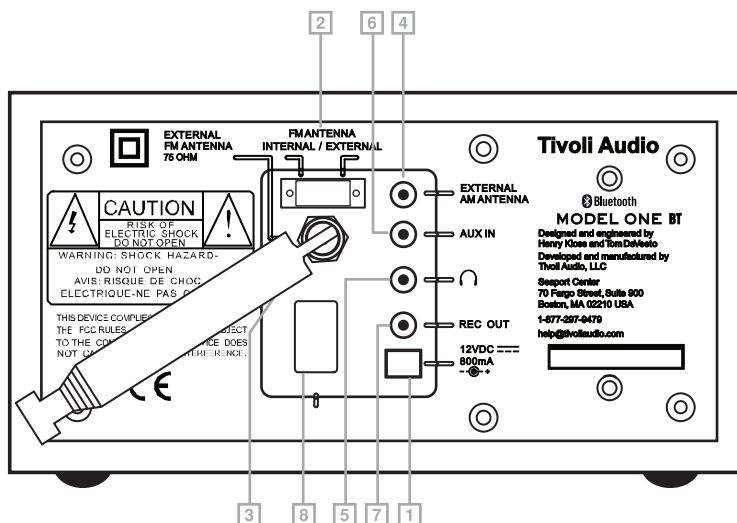
Si prega di contattare il proprio rivenditore o Tivoli Audio se uno qualsiasi di questi elementi è mancante.

Guida Alle Funzioni (Parte Anteriore)



1. **CONTROLLO VOLUME:** Ruotare la manopola verso destra per aumentare il volume o verso sinistra per diminuirlo. Questa manopola controlla anche il volume dell'uscita cuffia.
2. **CONTROLLO OFF/FM/AM/AUX:** Ruotate la manopola di uno scatto a destra per ascoltare la banda FM, due scatti a destra per la banda AM, oppure tre scatti a destra per selezionare la sorgente ausiliaria (aux). Per attivare *Bluetooth*, passare alla posizione di ingresso ausiliario e seguire la procedura descritta nella sezione "Operazioni *Bluetooth*".
3. **SINTONIA:** Ruotare la manopola verso destra o verso sinistra per variare la frequenza. L'indicatore di sintonia assume la massima luminosità quando si ottiene la sintonia ottimale. Alcune stazioni AM dal segnale debole ma comunque percepibile non provocano l'accensione dell'indicatore di sintonia; esse devono essere sintonizzate "a orecchio".
4. **INDICATORE SINTONIA:** emette una luce color ambra chiaro quando la sintonia è ottimale. Alcune stazioni AM dal segnale debole ma comunque percepibile non provocano l'accensione dell'indicatore di sintonia; pertanto occorre effettuare la sintonia "a orecchio" per ottimizzare la qualità del segnale.
5. **SPIA ALIMENTAZIONE:** emette una luce verde quando l'apparecchio è attivo.

Guida Alle Funzioni (Parte Posteriore)



1. **12VDC/800mA:** Utilizzare questo ingresso per far funzionare il Modello Uno con alimentazione in c.c.
2. **SELETTORE ANTENNA FM:** Consente di selezionare l'antenna interna oppure quella esterna.
3. **PRESA EXTERNAL FM:** Quando si ascolta la banda FM, in dipendenza dalla vostra nazione, inserite l'antenna con cavo nel connettore a "F", o sistemate la nazione dell'antenna telescopica. Nelle località in cui il segnale FM è forte, la ricezione in genere migliora riducendo la lunghezza dell'antenna. Quando l'apparecchio non viene utilizzato o quando si ascoltano stazioni in AM, tenere l'antenna in nazione retratta per evitare che venga danneggiata accidentalmente. Questa antenna non ha alcun effetto sulla ricezione in AM.
4. **PRESA EXTERNAL AM:** In alcuni casi la ricezione AM può essere migliorata inserendo un'antenna AM esterna (non in dotazione) su questo connettore che accetta un mini-jack maschio da 3,5mm.
5. **PRESA CUFFIA:** Collegare a questo connettore uno spinotto a jack separato per la cuffia per ascoltare il Modello Uno in cuffia. L'inserimento della cuffia disattiva l'altoparlante principale.
6. **AUX IN:** Collegare una sorgente audio stereo o mono (per esempio: un riproduttore di CD o un televisore) a questo ingresso stereo. NOTA: La presa jack Aux In non è disponibile quando è collegato un dispositivo *Bluetooth*. Per utilizzare la funzione Aux In collegata, è necessario innanzitutto scollegare qualsiasi dispositivo *Bluetooth*.
7. **REC OUT:** Il Modello Uno può essere utilizzato come sintonizzatore separato collegando l'uscita REC OUT a un amplificatore. È anche possibile registrare in monofonia utilizzando questa uscita.
8. **INGRESSO IN C.C.:** Collegate il cavo di alimentazione fornito a quest'ingresso. Quando scollegate il cavo di alimentazione dalla presa fatelo sempre afferrandolo dalla spina, non tirate mai il cavo stesso. Vi raccomandiamo di utilizzare una ciabatta con protezione da sovratensioni. Non avvolgete il cavo di alimentazione insieme a quello dell'antenna FM esterna o a quello di qualsiasi altro cavo audio, poiché potrebbe entrare del rumore nel segnale.

Operazioni *Bluetooth*

Prima di eseguire la procedura accoppiamento, verificare che il tuo dispositivo supporti *Bluetooth* 2.1+EDR A2DP e che il dispositivo non sia connesso ad alcun altro prodotto *Bluetooth*. Le periferiche si possono accoppiare in modi diversi. Qui di seguito una guida generale.

1. Accendere la Model One BT nella posizione di ingresso ausiliario. Questo attiva il *Bluetooth*. Alzare il volume di circa $\frac{1}{4}$ per iniziare. Aumentare il volume sul dispositivo sorgente (il dispositivo da cui si sta effettuando lo streaming).
2. Attivare la tecnologia wireless *Bluetooth* sul dispositivo abilitato.
3. Iniziare la ricerca e selezionare “Tivoli *Bluetooth* (Not Accoppiato)” quando questo messaggio appare sullo schermo del tuo dispositivo. Alcuni dispositivi possono richiedere un PIN. In tal caso, inserire “0000”. “Tivoli *Bluetooth*” cambierà da “Non Accoppiato” a “Connesso”.
4. Sentirete un tono dalla Model One BT a conferma del collegamento e si potrà iniziare a riprodurre i vostri file musicali in modalità senza fili. Regolare il livello del volume del dispositivo. Non dovrebbe essere necessario accoppiare lo stesso dispositivo un'altra volta. **In base al dispositivo utilizzato, potrebbe essere necessario effettuare più tentativi di Accoppiamento e/o Connessione del Model One BT. Concedere al dispositivo il tempo necessario per l'Accoppiamento o la Connessione prima di ripetere il procedimento.**

Abbinamento Di Un iPhone/iPod Touch/iPad, Abilitato Alla Tecnologia Wireless *Bluetooth*

1. Accendere la Model One BT nella posizione di ingresso ausiliario. Questa operazione attiva il *Bluetooth*. Alzare il volume di circa $\frac{1}{4}$ per iniziare. Aumentare il volume sul dispositivo sorgente (il dispositivo da cui si sta effettuando lo streaming).
2. Selezionare “Impostazioni” (secondo la versione software installata sul proprio dispositivo).
3. Selezionare “Generali”.
4. Selezionare “*Bluetooth*”.
5. Attivare *Bluetooth* per avviare la ricerca.
6. Selezionare “Tivoli *Bluetooth* (Non Abbinato)” quando appare sul display. Se viene richiesto di immettere un PIN, immettere “0000”. “Tivoli *Bluetooth*” cambierà da “Not Connesso” a “Connesso”.
7. Sentirete un tono dalla Model One BT a conferma del collegamento e si potrà iniziare a riprodurre i vostri file musicali in modalità senza fili. Regolare il livello del volume del dispositivo. Non dovrebbe essere necessario accoppiare l'iPhone / iPod / iPad un'altra volta.

Il livello di uscita del volume dei file musicali varia. Se si preferisce un livello di uscita più elevato, controllare le impostazioni del vostro iPhone / iPod touch / iPad: Impostare EQ Off, SoundCheck Off, e il limite di volume Off.

Se dovesse incontrare un problema, premere la piccola freccia a destra di “Tivoli *Bluetooth*” sul suo iPhone / iPod touch / iPad display e selezionare “Ignora questo dispositivo”, quindi ripetere la procedura di abbinamento. **In base al dispositivo utilizzato, potrebbe essere necessario effettuare più tentativi di Accoppiamento e/o Connessione del Model One BT. Concedere al dispositivo il tempo necessario per l'Accoppiamento o la Connessione prima di ripetere il procedimento.**

Durante lo streaming musicale, è possibile premere la freccia blu a destra del pulsante >>/ prossima traccia / su iPhone / iPod touch / iPad display per alternare tra l'iPhone / iPod / iPad e *Bluetooth*.

- La Model One BT ricorderà le informazioni di associazione per un massimo di 8 dispositivi. Dispositivi aggiuntivi possono essere accoppiati, ma il dispositivo utilizzato meno di recente sarà sostituito dall'ultimo dispositivo abbinato.
- Se l'audio si sente a tratti o si arresta durante la riproduzione, spostare il dispositivo in una posizione più vicina alla Model One BT, o controllare per essere sicuri che un altro dispositivo senza fili non interferisca con il segnale.
- Quando si passa dal *Bluetooth* al AM o FM, potrebbe essere necessario regolare di nuovo il volume della radio.

Ricezione

Le antenne interne FM e AM forniranno una buona ricezione. Gli edifici costruiti in cemento armato, acciaio, rivestimenti in alluminio o ostacoleranno la ricezione. Elettrodomestici, coperte elettriche, computer, lettori CD e altri dispositivi elettronici possono anche influenzare negativamente la ricezione o indurre rumore. Se questo si verifica, spostare la radio Model One BT più lontano dal dispositivo causa di interferenza, oppure usare una presa elettrica, non condivisa con un altro dispositivo. Le superfici metalliche possono anche ostacolare la ricezione AM.

Posizionamento

Collocare l'unità su una superficie piana e stabile. Non ostruire la porta dei bassi sottostante. La radio Model One BT non è schermata rispetto ai video e deve essere tenuta lontano almeno 12,7 cm dal monitor di un computer o dalla televisione. La radio Model One BT può essere posizionata sia in verticale che in orizzontale. L'inserimento in una libreria, armadio, o in prossimità di pareti o angoli possono aumentare i toni bassi.

Pulizia

Non utilizzare mai detergenti aggressivi o solventi sulla radio. Evitare di spruzzare cere. Scollegare la radio Model One BT prima della pulizia. Il frontale può essere pulito con un panno leggermente umido, panno morbido. Colorare o la macchiare il mobile in legno invalida la garanzia.

Le variazioni di colore e grana sono le caratteristiche del legno vero e danno alla cassa la sua bellezza naturale. Come risultato, la finitura della cassa può non corrispondere ad altri prodotti Tivoli Audio.

Si noti inoltre che alcune finiture, in particolare il noce, può scurirsi nel tempo per esposizione alla luce. Questo è normale per un prodotto di legno naturale.

NOTA: Tivoli Audio armadi utilizza impiallaccature di vero legno. Poiché il legno naturale si diversifica molto, non è possibile ottenere un esatto tono di colore / grana tra due modelli. Si può inoltre notare come il legno scurisca con il tempo e l'esposizione alla luce solare. Ancora una volta, questo è normale per il vero legno.

Garanzia Limitata

Tivoli Audio produce i propri prodotti in conformità con i massimi standard qualitativi, riuscendo in tal modo a garantire prestazioni ottimali per i propri prodotti. Di conseguenza, Tivoli Audio offre una garanzia limitata per questo prodotto a copertura di eventuali difetti di fabbricazione dovuti a materiali o esecuzione al proprietario originale. Questa garanzia non è trasferibile.

I prodotti acquistati all'interno dell'Unione Europea e in Norvegia hanno una garanzia minima della durata di due anni. Per i paesi all'interno dei quali i termini di garanzia minimi sono determinati dalla legge, il termine di garanzia corrisponde al periodo richiesto dalla legge. In tutti gli altri paesi, la durata della garanzia corrisponde a un anno.

Questa garanzia limitata copre le funzioni del prodotto nel corso del normale utilizzo previsto ed illustrato all'interno di questo manuale dell'utente. La garanzia non offre alcuna copertura in merito a malfunzionamenti o danni risultanti dall'uso o dall'installazione impropri o irragionevoli, l'utilizzo di un caricatore per caricare batterie alcaline, accessori difettosi, modifiche, riparazioni non autorizzate, perdita o danneggiamento durante la spedizione, maneggiamento negligente, incidenti, utilizzo con tensione/corrente inappropriati, sovratensioni, fulmini o altre cause di forza maggiore, eccessiva umidità, normale usura e logoramento, utilizzo a fini commerciali, o acquisto da rivenditori non autorizzati. Il centro assistenza potrebbe richiedere la presentazione di una ricevuta al fine di verificare che l'unità sia stata acquistata da un rivenditore autorizzato. **Contattare il punto vendita o il proprio distributore locale per manutenzioni coperte dalla garanzia o riparazioni.**

Evitare di aprire o smontare questo prodotto, dal momento che tale operazione invaliderebbe questa garanzia limitata. L'interno dell'unità non contiene alcun componente che richiede la manutenzione da parte dell'utente. Tivoli Audio non coprirà alcun costo sostenuto risultante dalla correzione di problemi di ricezione, dall'eliminazione di rumore/cariche statiche generati esternamente o dal danneggiamento di questo prodotto provocato da un uso improprio.

In caso di restituzione del prodotto durante il periodo di validità della garanzia e di copertura ai sensi di questa garanzia limitata, provvederemo a riparare o sostituire i componenti difettosi entro un periodo di tempo ragionevole, senza costi aggiuntivi.

QUESTA GARANZIA LIMITATA CONCEDE ALL'UTENTE SPECIFICI DIRITTI LEGALI SOGGETTI A DETERMINE CONDIZIONI. L'UTENTE POTREBBE INOLTRE USUFRUIRE DI ALTRI DIRITTI LEGALI APPLICABILI AL PRODOTTO ACQUISITO. QUESTI DIRITTI LEGALI VARIANO DA UN PAESE ALL'ALTRO. ALCUNI PAESI NON CONSENTONO L'ESCLUSIONE, LA RESTRIZIONE O LA MODIFICA DI CERTI DIRITTI IMPLICITI O DEI LORO EFFETTI. IN QUESTE SITUAZIONI, QUESTA GARANZIA LIMITATA SARÀ APPLICABILE SOLO NELLA MISURA CONSENTITA DALLE LEGGI APPLICABILI.

Le leggi di un paese potrebbero fornire all'utente rivendicazioni legali nei confronti del rivenditore o del produttore di questo prodotto. Questa garanzia limitata non ha alcun effetto su questi diritti.

Le clausole della garanzia limitata vanno a sostituire eventuali garanzie o condizioni di diversa natura, con l'eccezione di garanzie e condizioni di natura legale. Questa garanzia limitata non ha alcun effetto su eventuali diritti legali previsti dalla legge e non preclude alcun ricorso garantito dalla legge.

Nei paesi all'interno dei quali i limiti di responsabilità non sono preclusi dalla legge, la responsabilità massima di Tivoli Audio non potrà eccedere il prezzo di acquisto corrisposto dall'utente per il prodotto. Nei paesi all'interno dei quali le limitazioni di responsabilità sono precluse dalla legge, Tivoli Audio sarà responsabile per un valore complessivo non superiore ai danni diretti risultanti da

lesioni fisiche e/o a proprietà reali o personali provocati dalla negligenza di Tivoli Audio.

Laddove ciò non è proibito dalla legge, Tivoli Audio non sarà responsabile di danni incidentali, consequenziali o indiretti. Alcuni paesi non consentono limitazioni di esclusione o limitazione di riparazione, danni speciali, incidentali, consequenziali o indiretti, o limitazione di responsabilità a somme specificate, pertanto le limitazioni ed esclusioni sopracitate potrebbero non essere applicabili all'utente.

Questa garanzia limitata perde validità in caso di rimozione o illeggibilità dell'etichetta riportante il numero seriale.

In caso di acquisto di un contratto di assistenza estesa dal proprio rivenditore, se il dispositivo richiede un intervento di manutenzione successivamente al termine del periodo di validità di questa garanzia limitata, contattare il proprio provider del servizio esteso per ottenere assistenza.

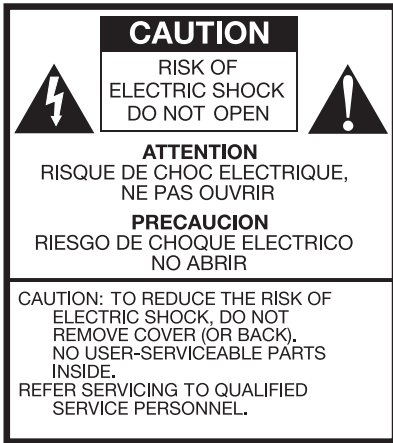
Per comodità, è possibile registrare il proprio prodotto sul sito del servizio di garanzia on-line sul nostro sito Web, www.tivoliaudio.com. Non sussiste alcun obbligo legale a fornire i propri dati personali. Tuttavia, queste informazioni ci permettono di conservare un record dei prodotti Tivoli Audio acquistati dall'utente e di comprendere meglio gli acquirenti dei nostri prodotti. Le informazioni raccolte verranno utilizzate a scopo di marketing da Tivoli Audio e, ove consentito, per contattare gli utenti in merito ai prodotti acquistati o ad altri prodotti di possibile interesse distribuiti da Tivoli Audio o da altre aziende. Le informazioni fornite potrebbero essere elaborate in un altro paese.

Per assistenza, si prega di contattare il proprio rivenditore o distributore locale.

Specifiche Tecniche

Modello:	Tivoli Audio® Model One® BT
Tipo:	AM/FM analogica mono radio da tavolo con la tecnologia wireless <i>Bluetooth</i>
Driver:	76,2mm (3") driver full-range
Dimensioni:	21,3 cm W x 11,4 cm H x 13,3 cm D (8,375" W x 4,5" H x 5,25" D)
Peso:	1,88 kg (4,14 lbs)

Tutte le specifiche sono soggette a modifiche senza obbligo di preavviso. Tivoli Audio Si riserva il diritto di modificare il prodotto senza preavviso. Tivoli Audio, il logo Tivoli Audio, e Model One BT sono marchi registrati di Tivoli Audio, LLC. Il marchio e il logo *Bluetooth* sono marchi registrati di proprietà di Bluetooth SIG, Inc. e qualsiasi utilizzo di tali marchi da Tivoli Audio è sotto licenza. iPod, iPod touch, iPhone, e iPad sono marchi di Apple Inc., registrati negli Stati Uniti e in altri paesi.



Dit symbool waarschuwt u voor de aanwezigheid van niet-geïsoleerde spanning in het toestel, waardoor de kans op ook voor mensen gevaarlijke elektrische schokken bestaat.



Dit symbool wijst u op belangrijke bedienings-, onderhouds- en service-instructies in de bij het toestel behorende literatuur.

Belangrijke Veiligheidsinstructies

1. Volg deze instructies op.
2. Bewaar deze instructies.
3. Neem alle waarschuwingen in acht.
4. Volg alle instructies op.
5. **WAARSCHUWING** - Stel dit apparaat niet bloot aan regen of vocht om het risico van brand of elektrische schokken te verminderen.
6. Alleen reinigen met een droge doek.
7. De ventilatiegaten niet blokkeren. Installeer het apparaat volgens de instructies van de fabrikant.
8. Niet installeren in de buurt van hittebronnen, zoals radiatoren, verwarmingsroosters, ovens of ander apparaten (waaronder versterkers) die warmte afgeven.
9. De veiligheidskenmerken van de gepolariseerde of gearde stekker niet beschadigen. Een gepolariseerde stekker heeft twee bladen, waarbij er een breder is dan de ander. Een gearde stekker heeft twee pinnen en een derde aardepin. Het brede blad of de derde pen zijn bedoeld voor uw veiligheid. Als de geleverde stekker niet in uw stopcontact past, moet u een elektricien raadplegen om het stopcontact te vervangen.
10. Bescherm de netkabel, zodat men er niet over kan lopen en hij niet bekneld raakt. Let vooral op de nabijheid van stekkers, stopcontacten en het punt waar de kabel op het apparaat is aangesloten.
11. Gebruik alleen aanhangsels/accessoires die worden aangegeven door de fabrikant.
12. Gebruik alleen met de wagen, standaard, driepoot, beugel of tafel die worden aangegeven door de fabrikant of die bij het apparaat wordt verkocht. Bij het gebruik van een wagen moet de wagen/apparaat-combinatie voorzichtig worden verplaatst om letsel door vallen te voorkomen.
13. Verwijder de stekker van dit apparaat uit het apparaat tijdens onweer of wanneer het gedurende een langere periode niet wordt gebruikt.



14. Gebruik dit product uitsluitend in combinatie met het type voeding dat op de achterkant is aangegeven. Gebruik bij producten met een externe voeding een exacte vervanging als deze verloren of beschadigd is. Zie de handleiding voor producten met batterijen.
15. Trek de stekker uit het stopcontact en laat het apparaat door vakkundig personeel onderhouden onder de volgende omstandigheden:
 - a. Als het netsnoer of de stekker beschadigd is.
 - b. Als vloeistof is gemorst of voorwerpen in het apparaat zijn gevallen.
 - c. Als het apparaat is blootgesteld aan water of regen.
 - d. Als het product niet normaal werkt volgens de gebruiksaanwijzing.
 - e. Als het apparaat is gevallen of op andere wijze beschadigd is.
 - f. Als het apparaat duidelijk anders presteert.
16. Als vervangende onderdelen nodig zijn, moet u controleren of de onderhoudsmonteur onderdelen heeft gebruikt die door de fabrikant zijn opgegeven of die dezelfde kenmerken hebben als de oorspronkelijke onderdelen. Ongeautoriseerde vervanging kan brand, schokken of andere gevaren opleveren.
17. Na uitvoeren van onderhoud moet u de onderhoudsmonteur vragen om een veiligheidscontrole uit te voeren ter bevestiging dat het product goed werkt.
18. Het apparaat mag niet worden blootgesteld aan druppels of spetters en er mogen geen objecten gevuld met water, zoals vazen, op het apparaat worden geplaatst.
19. De aanbevolen werktemperatuur ligt tussen 5°C en 40°C (41°F -104°F).
20. Door de ingang voor 12 VDC kan dit apparaat worden gebruikt in een boot of camper met een extra gezeekerde voeding 12 VDC, 1 A.
21. Houd dit apparaat op een veilige afstand van open vuur zoals een aangestoken kaars.
22. WAARSCHUWING - de hoofdvoeding is niet afgesloten in de uit-stand maar de bedrading is stroomloos.
23. Canada voldoet aan RSS210, ICES-003.
24. De stekker van het netsnoer is bedoeld om het apparaat te ontkoppelen en moet gemakkelijk bereikbaar zijn.

⚠ WAARSCHUWING: DE GEMONTEERDE MODEL ONE BT-ANTENNA IS NIET BEDOELD OM TE WORDEN LOSGEMAAKT.



Dit product kan gerecycled worden. Producten met dit symbool mogen NIET worden weggeworpen met het normale huisvuil. Aan het eind van de levensduur van het product moet u het naar een aangewezen verzamelpunt voor elektrische apparatuur brengen. De gemeente kan u meer informatie verstrekken over deze verzamelpunten.

De Europese richtlijn voor afval van elektrische en elektronische apparaten (WEEE) is geïmplementeerd om de hoeveelheid afval drastisch te beperken die naar afvalhopen gaat, waardoor ook de invloed op het milieu en op de gezondheid beperkt wordt. Ga verantwoordelijk te werk bij het recyclen van gebruikte producten. Als dit product nog bruikbaar is, overweeg dan het weg te geven of te verkopen.

Gebruiksaanwijzing Model One BT

Gefeliciteerd met de aanschaf van de Model One BT tafelradio. Volgens ons is de Model One BT een van de beste analoge mono-tafelradio's op de markt. Met de toevoeging van de draadloze *Bluetooth*-technologie kunt u uw muziek eenvoudig streamen naar de Model One BT.

We weten dat u haast niet kunt wachten om uw nieuwe radio te gebruiken, maar neem even de tijd om deze handleiding en de Veiligheidsinstructies te lezen. Als u vragen hebt, aarzel dan niet om contact op te nemen met uw verkoper of met Tivoli Audio.

Bewaar de doos en de originele verpakking voor het geval dat u de radio ooit moet opsturen, omdat verzendschade niet gedekt wordt door de fabrieksgarantie.

Namens ons allen: bedankt voor uw keuze voor Tivoli Audio en veel plezier met uw nieuwe Model One BT-radio.

Over Tivoli Audio

Tivoli Audio is opgericht door Tom DeVesto met als doel het leveren aan consumenten van eenvoudig te gebruiken, elegant ontworpen audio-producten van een hoge kwaliteit. Als CEO en hoofd onderzoek en ontwikkeling bij zijn vorige bedrijf, Cambridge SoundWorks*, was Tom verantwoordelijk voor de ontwikkeling van een groot aantal van de best verkopen de home entertainment- en multimediacproducten op de markt. Hij bezette ook senior management functies voor productontwikkeling bij zowel Advent als Kloss Video.

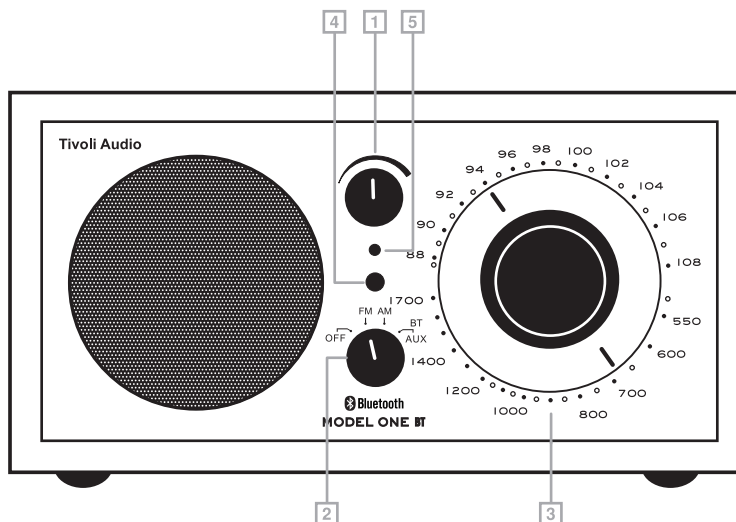
*Cambridge SoundWorks is een geregistreerd handelsmerk van Creative Labs, Singapore.

Meegeleverd met uw Model One BT zijn:

- Een (1) netsnoer 2,7 m
- Een (1) FM-draadantenne OF een (1) aangesloten FM telescoopantenne (afhankelijk van het land)

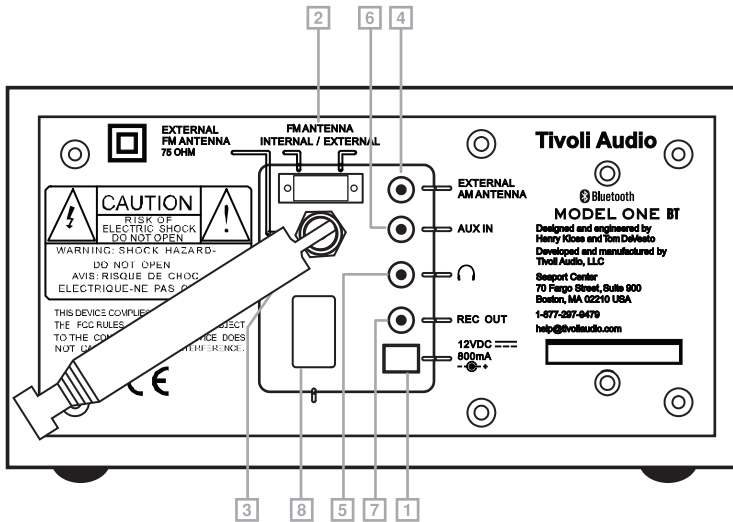
Neem contact op met uw dealer of met Tivoli Audio als een van deze items ontbreekt.

Gids Voor Functies (Voorkant)



1. **VOLUMEKNOP:** Draai de volumeknop naar rechts om het volume te verhogen of naar links om het volume te verlagen. Deze knop regelt ook het volume van de hoofdtelefoon.
2. **UIT/FM/AM/AUX KNOP:** Draai de knop één klik naar rechts om naar de FM-band te luisteren, twee klikken naar rechts om naar middengolf (AM) te luisteren, of drie klikken naar rechts voor de extra ingang. Om *Bluetooth* in te schakelen, gaat u naar de stand Auxiliary (hulp) en volgt u de stappen als beschreven in de paragraaf "*Bluetooth* gebruiken".
3. **AFSTEMKNOP:** Draai de analoge afstemwijzer naar rechts of links om het frequentiebereik voor FM (bovenste helft van de wijzerplaat) of AM (onderste helft) af te stemmen.
4. **AFSTEMINDICATOR:** Het helderst bij de beste afstemming. Sommige AM-stations die u kunt ontvangen, doen de afstemindicator niet oplichten zodat u deze op het gehoor moet afstemmen. Dit lampje kan al dan niet oplichten in de stand AUX, afhankelijk van de stand van de AM-wijzer.
5. **VOEDINGSINDICATOR:** Licht op als de voedingsknop in een andere stand dan Uit staat.

Gids Voor Functies (Achterkant)



1. **12VDC/800mA:** Deze ingang is voor het gebruik van een optionele gezeekerde voeding 1 A, 12 V DC voor gebruik op een boot of in een camper. De aansluiting moet 5,5 mm/2,1 mm mid-depositief zijn.
2. **FM ANTENNESCHAKELAAR:** Schakelaar tussen interne en externe FM-antennes. Deze schakelaar heeft geen invloed op AM-ontvangst. In sommige gevallen kan de FM-ontvangst verbeteren door de antenneschakelaar op Extern te zetten.
3. **EXTERNE FM-AANSLUITING:** Afhankelijk van uw land kunt u bij het luisteren naar FM de meegeleverde draadantenne over deze F-connector schuiven, of de telescoopantenne aanpassen en voor de beste ontvangst positioneren. In omgevingen met een krachtig FM-signaal kan de ontvangst verbeteren door de antenne in te korten. Als de eenheid niet in gebruik is of als u naar AM luistert, moet u de antenne ter bescherming ingeschoven houden. Deze antenne heeft geen invloed op AM-ontvangst. Zie ook de paragraaf "Ontvangst".
4. **EXTERNE AM-AANSLUITING** In sommige gevallen kan de AM-ontvangst verbeteren door een externe AM-antenne (niet meegeleverd) aan te sluiten op deze aansluiting voor een 3,5mm stereo mini connector. Zie ook de paragraaf "Ontvangst".
5. **HOOFDTELEFOON UIT:** Sluit op deze instelbare stereo-uitgang een hoofdtelefoon aan (niet meegeleverd) voor ongestoord luisteren. De hoofdtelefoon schakelt de luidspreker uit. Het volume van de hoofdtelefoon is instelbaar met de volumeknop. Deze stereo-uitgang is bedoeld voor een 3,5mm stereo mini connector. Luister niet met een te hoog volume door een hoofdtelefoon om uw gehoor niet te beschadigen.
6. **AUX IN:** Om naar audio te luisteren die afkomstig is van een ander apparaat, zoals een cd-speler, MP3-speler of computer, sluit u de audio-uitgang van dat apparaat aan op deze stereo-ingang en zet u de schakelaar op de voorkant op Aux. Het aangesloten apparaat wordt hiermee niet ingeschakeld. Deze stereo-ingang is bedoeld voor een 3,5mm stereo mini connector. Het linker en rechter stereosignaal worden tot mono samengevoegd. U moet eerst aangesloten *Bluetooth*-apparaten verwijderen om de bedrade AUX IN-aansluiting te gebruiken. De Aux In-aansluiting

is niet beschikbaar als een *Bluetooth*-apparaat is aangesloten. U moet eerst alle *Bluetooth*-apparaten ontkoppelen voordat u de bekabelde functie Aux In kunt gebruiken.

OPMERKING: Mogelijk moet u het volumeniveau afwijkend instellen voor een extra apparaat van het niveau voor het luisteren naar de radio.

7. **REC OUT:** U kunt opnemen van de Model One BT-radio door de audio-ingang van een cassette-deck (of ander opname-apparaat) aan te sluiten op deze stereo-uitgang, waarvan het niveau gelijk blijft. U kunt de Model One BT-radio ook gebruiken als een hoogpresterende analoge tuner door hem aan te sluiten op de audio-ingang van een voorversterker of geïntegreerde versterker. Bij het gebruik van deze uitgang wordt de luidspreker niet gedempt. Deze uitgang is bedoeld voor een 3,5mm stereo mini connector.
8. **VOEDINGSINGANG:** Sluit de bijgeleverde voedingskabel aan op deze aansluiting. Als u het snoer uit het stopcontact trekt, moet u altijd de stekker vastpakken. We adviseren het gebruik van een stopcontact met stroomstootbeveiliging. Pak altijd stevig de stekker vast als u het netsnoer losmaakt. Trek nooit aan het snoer zelf. Bundel het netsnoer niet met de externe FM-antenne of audiokabels omdat dit ruis in het geluid kan veroorzaken.

Bluetooth Gebruiken

Controleer voor het koppelen of uw apparaat *Bluetooth* 2.1+EDR A2DP ondersteund en of het niet is gekoppeld aan een ander *Bluetooth*-apparaat. Apparaten kunnen op verschillende manieren koppelen. Hieronder volgt een algemene gids.

1. Plaats de Model One BT in de stand Aux. Hierdoor wordt *Bluetooth* ingeschakeld. Draai het volume tot ongeveer $\frac{1}{4}$ om te beginnen. Verhoog ook het volume op het bronapparaat (het apparaat van waaraf u streamt).
2. Schakel *Bluetooth* in op de ingeschakelde apparaten.
3. Selecteer "Tivoli *Bluetooth* (Not Paired (niet gekoppeld))" als dit op het scherm van uw apparaat verschijnt om het zoeken te starten. Sommige apparaten kunnen om een PIN-code vragen. Typ in dat geval "0000". "Tivoli *Bluetooth*" verandert van "Not Paired" (Niet gekoppeld) in "Connected" (Verbonden).
4. U hoort een beltoon van de Model One BT als bevestiging van de verbinding en u kunt uw muziekbestanden draadloos afspelen. Pas het volume op het apparaat aan. U hoeft het apparaat niet opnieuw te koppelen. **Afhankelijk van uw apparaat moet u mogelijk meerdere pogingen ondernemen voor paren en/of verbinden met de Model One BT, maar geef het apparaat voldoende tijd om te Paren of Verbinden voordat u het proces herhaalt.**

Een iPhone/iPod Touch/iPad Met Bluetooth Koppelen

1. Plaats de Model One BT in de stand Aux. Hierdoor wordt *Bluetooth* ingeschakeld. Draai het volume tot ongeveer $\frac{1}{4}$ om te beginnen. Verhoog ook het volume op het bronapparaat (het apparaat van waaraf u streamt).
2. Selecteer "Settings" (Instellingen) (afhankelijk van uw softwareversie).
3. Selecteer "General" (Algemeen).
4. Selecteer "*Bluetooth*".
5. Schakel *Bluetooth* in om het zoeken te starten.

6. Selecteer "Tivoli *Bluetooth* (Not Paired (Niet gekoppeld))" als dit op het scherm verschijnt. Als u gevraagd wordt om een PIN-code in te voeren, typt u "0000". "Tivoli *Bluetooth*" verandert van "Not Paired" (Niet gekoppeld) in "Connected" (Verbonden).
7. U hoort een beltoon van de Model One BT en u kunt uw muziekbestanden draadloos afspelen. Pas het volume op het apparaat aan. U hoeft uw iPhone/iPod/iPad niet opnieuw te koppelen.

Het volumeniveau van de muziekbestanden kan verschillen. Als u voorkeur hebt voor een hoger uitvoerniveau, controleer dan de instellingen van de iPhone/iPod touch/iPad: Schakel de EQ uit, de SoundCheck uit en de Volume limit (Volumebegrenzing) uit.

Als u bij het koppelen een probleem ondervindt, drukt u op het pijltje rechts van "Tivoli *Bluetooth*" op het scherm van uw iPhone/iPod touch/iPad en selecteert u "Dit apparaat vergeten", waarna u het koppelingsproces herhaalt. **Afhankelijk van uw apparaat moet u mogelijk meerdere pogingen ondernemen voor paren en/of verbinden met de Model One BT, maar geef het apparaat voldoende tijd om te Paren of Verbinden voordat u het proces herhaalt.**

Bij het streamen van muziek kunt u op het blauwe pijltje rechts van de knop voor het volgende nummer >>/ op het scherm van de iPhone/iPod touch/iPad om te schakelen tussen de iPhone/iPod touch/iPad en *Bluetooth*.

- De Model One BT onthoudt koppelgegevens voor maximaal 8 apparaten. Er kunnen meer apparaten gekoppeld worden, maar het minst recent gebruikte apparaat wordt dan vervangen door het nieuw gekoppelde apparaat.
- Als het geluid wegvalt of stopt tijdens het afspelen, plaatst u het apparaat dichterbij de Model One BT of controleert u of een ander draadloos apparaat het signaal niet stoort.
- Bij het omschakelen van *Bluetooth* naar AM of FM moet u mogelijk het volumeniveau van de radio aanpassen.

Ontvangst

De interne FM- en AM-antenne's zorgen voor een goede ontvangst. Gebouwen met betonnen, stalen of aluminium buitenkanten kunnen de ontvangst verstoren. Huishoudelijke apparatuur, elektrische dekens, computers, cd-spelers en andere elektronische apparaten kunnen eveneens een nadelige invloed op de ontvangst hebben of ruis toevoegen. Verplaats in dat geval de Model One BT-radio uit de buurt van het storende apparaat of steek de stekker in een stopcontact dat niet met een ander apparaat gedeeld wordt. Metalen oppervlakken kunnen de ontvangst van AM verstoren.

Plaatsing

Plaats het apparaat op een stevige, vlakke ondergrond. Blokkeer de baspoort in de onderkant niet. De Model One BT-radio is niet video-afgeschermd en moet ten minste 12,7 cm uit de buurt van een computerscherm of televisie staan. De Model One BT-radio kan zowel verticaal als horizontaal worden geplaatst. Plaatsing in een boekenkast, kast of dicht bij muren kan de bas versterken.

Reinigen

Gebruik nooit bijtende schoonmaakmiddelen voor de radio. Gebruik geen spuitwas. Haal de stekker uit het stopcontact voordat u de Model One BT-radio schoonmaakt. U kunt de voorkant schoonmaken met een vochtige zachte doek. Als u de houten kast schildert of bevestigt, maakt dit de garantie ongeldig.

OPMERKING: Tivoli Audio gebruikt echt houtfineer op de kast. Omdat natuurlijk hout sterk verschilt, is het niet mogelijk om een exacte kleur- en structuurovereenkomst voor hout tussen de modellen te verkrijgen. U kunt ook merken dat het hout na verloop van tijd donkerder wordt door de inwerking van zonlicht. Ook dit is normaal voor echt hout.

Beperkte Garantie

Tivoli Audio maakt zijn producten volgens heel hoge standaarden en we hebben alle vertrouwen dat onze producten goed presteren. Daarom geven we een beperkte garantie op dit product voor fabricagefouten in materiaal en vakmanschap voor de eerste eigenaar. Deze garantie kan niet worden overgedragen.

De minimum garantieperiode voor producten aangeschaft in de Europese Unie en Noorwegen is twee jaar. Voor landen waar de voorwaarden voor de minimale garantie wettelijk zijn vastgelegd, is de garantieperiode de wettelijk vereiste periode. Overal elders is de garantieperiode één jaar.

Deze Beperkte Garantie dekt de werking van het product voor het normale bedoelde gebruik als opgegeven in deze handleiding. Het dekt geen slecht functioneren of schade als gevolg van onjuist of onredelijk gebruik of installatie, het gebruik van de lader voor alkaline-batterijen, defecte extra apparatuur, modificaties, ongeautoriseerde reparaties, schade of verlies bij transport, misbruik, ongelukken, gebruik bij onjuiste spanning/stroom, spanningspieken, blikseminslag of andere handelingen van God, overdadig vocht, normale slijtage, commercieel gebruik of aanschaf bij niet-geautoriseerde verkopers. Voor reparaties onder garantie kan als bewijs een aankoopbewijs van een geautoriseerde verkoper worden verlangd. **Neem contact op met de verkoper of de plaatselijke distributeur voor onderhoud of reparatie onder garantie.**

Open dit product niet en haal het niet uit elkaar, omdat dit deze Beper te Garantie ongeldig maakt. Binnenin bevinden zich geen onderdelen die u zelf kunt repareren. Tivoli Audio vergoedt geen kosten die ontstaan als gevolg van correctie van ontvangst, eliminatie van extern gegenereerde statische/ruis, tijdverlies, ongemak, verlies van gebruik van het product, of schade als gevolg van onjuist gebruik van dit product.

In het geval dat het product geretourneerd wordt tijdens de garantieperiode en in aanmerking komt voor onderhoud onder deze Beperkte Garantie, zullen we alle defecte onderdelen herstellen of vervangen binnen een redelijke tijdsperiode en zonder kosten.

DEZE BEPERKTE GARANTIE VERLEENT U SPECIFIEKE RECHTEN AFHANKELIJK VAN DE OP-GEGEVEN CONDITIES. MOGELIJK HEBT U OOK ANDERE WETTELIJKE RECHTEN DIE VAN TOEPASSING ZIJN OP HET DOOR U AANGESCHAFTE PRODUCT. DEZE WETTELIJKE RECHTEN VERSCHILLEN VAN LAND TOT LAND. SOMMIGE PLAATSEN STAAN HET UITSLUITEN, BEPERKEN OF MODIFICEREN VAN BEPAALDE IMPLICIETE RECHTEN OF HUN EFFECT NIET TOE. IN DIE GEVALLEN IS DEZE BEPERKTE GARANTIE UITSLUITEND VAN TOEPASSING VOOR ZOVER DE BETREFFENDE WET DIT TOESTAAT.

De wetten van uw land kunnen u voorzien van wettelijke aanspraken jegens de verkoper of fabrikant van dit product. Deze Beperkte Garantie beïnvloedt die rechten niet.

De voorzieningen van de Beperkte Garantie komen in plaats van andere garanties of voorwaarden, behalve welke door de wet geleverd zijn. Deze Beperkte Garantie heeft geen invloed op enige juridische rechten die u geboden worden door de wet en sluit geen remedie uit die u onder de wet hebt.

In landen waar beperkingen op de aansprakelijkheid niet wettelijk zijn uitgesloten, zal de maximale aansprakelijkheid van Tivoli Audio niet uitgaan boven de aankoopprijs die u voor het product hebt

betaald. In landen waar beperkingen van aansprakelijkheid door de wet zijn uitgesloten, zal Tivoli Audio voor niet meer aansprakelijk zijn dan de rechtstreekse kosten voor lichamelijk letsel, en/of vastgoed of persoonlijke eigendommen voortvloeiend uit nalatigheid van Tivoli Audio.

Waar dit niet wettelijk is verboden, zal Tivoli Audio niet aansprakelijk zijn voor speciale, incidentele, consequentiële of indirecte schade. Op sommige plaatsen zijn beperkingen niet toegestaan op de uitsluiting of beperking van hulp, speciale, incidentele, consequentiële of indirecte schade, of de beperking van aansprakelijkheid tot opgegeven bedragen, zodat de bovenstaande beperkingen of uitsluitingen mogelijk niet op u van toepassing zijn.

Deze Beperkte Garantie is ongeldig als het etiket met het serienummer verwijderd of beschadigd is. Als u een uitgebreid onderhoudscontract hebt afgesloten bij uw verkoper en onderhoud is nodig na het verlopen van deze Beperkte Garantie, moet u contact opnemen met de aanbieder van het uitgebreide onderhoudscontract om deze dienstverlening te verkrijgen.

Voor uw gemak kunt u u w product voor garantie online registreren op onze website www.tivoliaudio.com. U bent niet wettelijk verplicht om persoonlijke informatie te geven. Deze informatie stelt ons echter in staat om bij te houden, welke producten van Tivoli Audio u bij ons hebt aangeschaft, zodat we een beter begrip krijgen van de kopers van onze producten. De verzamelde informatie zal worden gebruikt voor marketingdoeleinden door Tivoli Audio en, waar dit is toegestaan, om contact met u op te nemen in verband met de producten die u hebt aangeschaft of andere producten van Tivoli Audio of andere bedrijven die mogelijk van belang zijn voor u. De informatie die u aanbiedt, kan in andere landen worden verwerkt.

Technische Gegevens

Model:	Tivoli Audio® Model One® BT
Type:	AM/FM analoge mono tafelradio met <i>Bluetooth</i> draadloze technologie
Luidspreker:	een 76,2 mm luidspreker voor alle frequenties
Afmetingen:	21,3 cm B x 11,4 cm H x 13,3 cm D (8.375" B x 4.5" H x 5.25" D)
Gewicht:	1,88 kg

Specificaties kunnen zonder bericht vooraf wijzigen.

Tivoli Audio behoudt zich het recht voor om wijzigingen aan het product aan te brengen zonder bericht vooraf. Tivoli Audio, het Tivoli Audio-logo, en Model One BT zijn handelsmerken van Tivoli Audio, LLC. Het *Bluetooth* woordmerk en logo's zijn geregistreerde handelsmerken van Bluetooth SIG, Inc. en elk gebruik van deze merken door Tivoli Audio is onder licentie. iPod, iPod touch, iPhone, en iPad zijn handelsmerken van Apple Inc., geregistreerd in de V.S. en andere landen. Andere handelsmerken en handelsnamen zijn die van hun respectievelijke eigenaren.





Dette varselsymbolet advarer mot høyspente komponenter i produktet som kan føre til elektrisk støt ved uforsiktig bruk.



Dette symbolet indikerer problemer relatert til drift og service, og henviser til viktig informasjon i medfølgende bruksanvisning.

Viktige Sikkerhetsinstruksjoner

1. Les disse instruksjonene.
2. Oppbevar disse instruksjonene.
3. Vær oppmerksom på alle advarsler.
4. Følg alle instruksjoner.
5. ADVARSEL - For å redusere risikoen for brann eller elektrisk støt, ikke utsett dette apparatet for regn eller fukt.
6. Rens kun med tørr klut.
7. Ikke blokker noen av åpningene for ventilering. Installerer i samsvar med produsentens instruksjoner.
8. Ikke installer i nærheten av noen varmekilder som for eksempel radiatorer, varmegulv, ovner, eller andre apparater (inkludert forsterkere) som produserer varme.
9. Ikke overse sikkerhetshensikten til den polariserte eller jordførende stikkontakten. En polarisert stikkontakt har to utstikkere, den ene videre enn den andre. En jordførende stikkontakt har to utstikkere, og en tredje spiss som er jordførende. Den brede utstikkeren eller den tredje spissen er tilgjort for din sikkerhet. Dersom den leverte stikkontakten ikke passer til ditt støpsel, konsulter med en elektriker om å skifte ut det foreldete støpselet.
10. Beskytt strømledningen fra å bli tråkket på eller klemt, spesielt ved stikkontakter og tilkoblingspunktene.
11. Benytt kun vedlegg/tilbehør spesifisert av produsenten.
12. Brukes kun med den tralle, støtten, tripod, braketten, eller bordet spesifisert av produsenten, eller som solgt sammen med apparatet. Når en vogn benyttes, utøv forsiktighet når man flytter kombinasjonen tralle/apparatet. Dette for å unngå skade ved eventuelt velt.
13. Koble fra dette apparatet under tordenvær eller når ubrukt over lengre perioder.



14. Benytt dette produktet kun med den type strømkilde som indikert på baksidepanelet. For de produktene som bruker en ekstern strømkilde, bruk en erstatning som er lik den opprinnelige dersom tapt eller skadet. Henviser til brukermanualen for de produktene som drives av batteri.
15. Koble produktet fra veggstøpselet, og få utført reparasjon av kvalifisert personell ved følgende tilstander:
 - a. Når ledningen eller stikkkontakten for strømtilførsel er skadet.
 - b. Når væske er sølt eller gjenstander har falt inn i produktet.
 - c. Dersom produktet har vært utsatt for vann eller regn.
 - d. Dersom produktet ikke fungerer normalt ved å følge driftsinstruksjonene.
 - e. Dersom produktet på noen måte har blitt sluppet eller skadet.
 - f. Når produktet fremviser en særegen endring i ytelse.
16. Når det er behov for erstatningsdeler, forsikre deg om at din vedlikeholdstekniker brukte erstatningsdeler som spesifisert av produsenten, eller deler som har samme egenskaper som originaldelene. Uautoriserte erstatninger kan resultere i brann, elektrisk støt eller andre farer.
17. Ved ferdigstilling av ethvert vedlikehold, be vedlikeholdsteknikeren utføre sikkerhetskontroller for å bekrefte at produktet er i riktig driftstilstand.
18. Apparatet skal ikke utsettes for drypping, skvetting eller produkter fylt med væske, for eksempel vaser skal ikke plasseres på apparatet.
19. Den anbefalte driftstemperaturen spenner fra 5°C to 40°C (41°F -104°F).
20. 12 VDC-inngangen passer for drift av dette produktet i en båt eller bobil, ved bruk av et valgfritt 12 VDC adapter med 1 A sikring.
21. Hold dette produktet i sikker avstand fra åpen flamme, som for eksempel et tent lys.
22. **ADVARSEL** – Hovedtilførselen av strøm er ikke frakoblet i stillingen av, men kretsene er uten strøm.
23. Kanada overholder regelverket ifølge RSS210, ICES-003.
24. Stikkkontakten til strømkabelen fungerer som frakoblingsmekanismen for enheten og bør være enkelt tilgjengelig.

⚠ ADVARSEL: DEN PÅFØRTE MODEL ONE BT ANTENNEN ER IKKE MENT FOR KUNNETAS AV.



Dette produktet kan resirkuleres. Produktet som bærer dette symbolet må IKKE kastes sammen vanlig husholdningsavfall. På slutten av dets levetid, bring produktet til et oppsamlingspunkt beregnet for resirkulering av elektriske og elektroniske enheter. Finn ut mer om avhendings-og oppsamlingspunkter hos dine lokale myndigheter.

"The European Waste Electrical and Electronic Equip-ment" (WEEE) direktivet ble implementert for å dramatisk redusere mengde avfall lagt igjen på deponier, og herved redusere den miljømessige innvirkningen på jorda og den menneskelige helse. Vennligst opptre ansvarlig ved å resirkulere brukte produkter. Dersom dette produktet fremdeles kan brukes, vurder å gi det bort eller å selge det.

INSTRUKSJONER FOR MODEL ONE BT

Gratulerer med ditt kjøp av bordradioen Model One BT. Vi mener at Model One BT er en av de fineste mono analoge bordradioer på markedet i dag. Med tillegget *Bluetooth* trådløs teknologi, så kan du streame musikken din trådløst til Model One BT.

Vi vet du er ivrig etter å begynne å bruke din nye radio, men vennligst ta deg litt tid til å lese denne eiermanualen og sikkerhetsinstruksjonene. Dersom du har noen spørsmål, vennligst ikke nøl med å kontakte din forhandler eller Tivoli Audio.

Vennligst bevar kartongen og den originale innpakningen i tilfelle du noen gang behøver å transportere din radio, da transportskade ikke dekkes av fabrikkgarantien.

På vegne av oss alle sammen, takk for at du valgte Tivoli Audio og gled deg over din nye Model One BT radio.

OM TIVOLI AUDIO

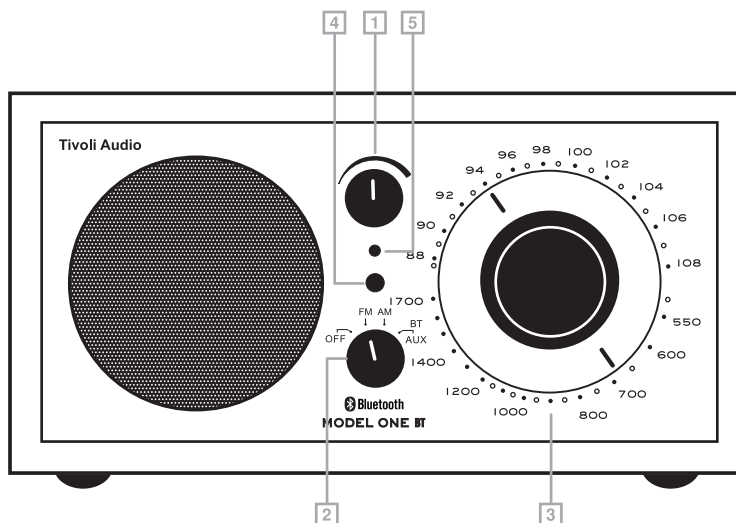
Tivoli Audio ble grunnlagt av Tom DeVesto. Han hadde den misjonen for øyet å bringe enkle å bruke, elegant utformede, høykvalitets lydprodukter ut til forbrukere. Som CEO og leder av forskning og utvikling ved hans tidligere firma, Cambridge SoundWorks*, Tom var ansvarlig for utviklingen av mange bestselgende produkter for hjemmeunderholdning og multimedia på markedet. Han hadde også lederstillinger innen produktutvikling ved ! Advent og Kloss Video.

**Cambridge SoundWorks er et registrert varemerke for Creative Labs, Singapore.

Sammen med din Model One BT så vil du finne en av hver:

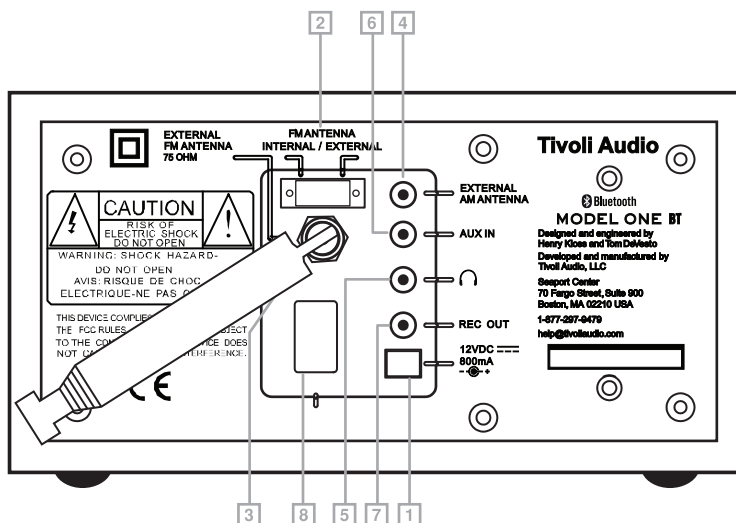
- En (1) 2.7 m strømlledning
- En (1) FM kabelantenne ELLER en (1) påfestet FM teleskopantenne (avhengig av land)
-
- Vennligst kontakt din forhandler eller Tivoli Audio dersom noen av disse enhetene mangler.

Guide Til Funksjoner (Fronten)



1. **VOLUMKNAPP:** Roter volumknappen til høyre for å øke volumet, eller til venstre for å senke volumet. Denne knappen kontrollerer også volumet på utgangen til hodetelefonene
2. **AV/FM/AM/AUX-KNAPP:** Skru knappen ett klikk til høyre for å høre FM-båndet, to klikk til høyre for å høre AM-båndet, eller tre klikk til høyre for å velge AUX-inngangen. For å aktivere *Bluetooth*, bytt til AUX-posisjonen og følg stegene uthevet i “*Bluetooth Operation*” (drift) seksjonen.
3. **SØKEKNAPPEN:** Roter den analoge tunerens til høyre eller venstre for å justere FM (øvre halvdel av tunerens) eller AM (nedre halvdel av tunerens) frekvensen.
4. **TUNER-INDIKATOR:** Indikatoren viser lyseste alternativ når beste innstilling er oppnådd. Noen AM-stasjoner går det an å høre på uten at de har noen innvirkning på tuner-indikatoren, og disse må stilles inn etter øret for det klareste signal. Avhengig av innstillingen på AM-tunerens, lyset varierer om det holder seg tent når befinner seg i AUX-posisjonen.
5. **STRØMINDIKATOR:** Lyser når kildeknappen er i enhver posisjon bortsett fra av.

Guide Til Funksjoner (Bakre Panel)



1. **12VDC/800mA:** Denne inngangen er beregnet for bruk av et valgfritt 12VDC adapter med 1A sikring, for drift i en båt eller bil. Kontakten må være 5.5mm/2.1mm senter positiv.
2. **FM ANTENNEBRYTER:** Bytt mellom interne og eksterne FM antenner. Dette byttet har ingen innvirkning på mottakelse av AM. I noen tilfeller, mottakelse av FM kan forbedres ved å innstille denne antennebryteren til ekstern.
3. **EKSTERN FM-TILKOBLING:** Når du lytter på FM, avhengig av ditt land, skyv den inkluderte kabelantennen over denne F-tilkoblingen, eller juster denne teleskopantennen og plasser den hvor det er best mottakelse. På steder hvor det er sterkt FM-signal, kan en reduksjon av antennens lengde kan gi bedre mottakelse. Når enheten ikke er i bruk eller når du lytter på AM, bør den foldes sammen for å beskytte antennen. Denne antennen har ingen innvirkning på mottakelse av AM. For mere informasjon, se seksjonen merket "Resepsjon".
4. **EKSTERN AM-TILKOBLING:** I noen tilfeller, mottakelse av AM kan forbedres ved å tilkoble en ekstern AM antenne (ikke inkludert) på denne kontakten. Denne godtar en 3,5mm mini jack tilkobling. For mere informasjon, se seksjonen merket Resepsjon.
5. **UTGANG FOR HODETELEFON:** For privat lytting, koble til et hodesett (ikke inkludert) til denne variable stereoutgangen. Hodsett vil dempe hovedhøytaleren. Volumet på hodesettet justeres med volumknotten. Stereoutgangen godtar en 3,5mm "mini jack" tilkobling. Unngå bruk av hodetelefonene ved høyt volumnivå for å unngå eventuell hørselsskade.
6. **AUX-INNGANG:** Før å høre lyd fra en annen enhet, som til eksempel en CD-spiller, MP3-spiller eller datamaskin, koble til nevnte enhets lyduttgang til denne stereoinggangen, og vri kildeknappen på forsiden til AUX. Byttet til AUX-posisjonen forårsaker ikke at den tilkoblede enheten slås på. Denne stereoinggangen godtar en 3,5mm mini jack tilkobling. Venstre og høyre stereosignal er summert til mono. Aux-inngangen er utilgjengelig når en *Bluetooth*-enhet er tilkoblet. Du må først koble fra enhver *Bluetooth*-enhet for å kunne bruke den kablete funksjonen for Aux-inngangen. NOTAT: Du må muligens justere volumnivået forskjellig for en AUX-enhet, enn hva som benyttes for lytting til radio.

7. **UTGANG FOR OPPTAK:** Du kan ta opp fra radioen til Model One BT ved å tilkoble en kassettspillers lyduttgang (eller andre enheter for opptak) til denne stereoutgangen, som har et fast nivå. Du kan også bruke radioen til Model One BT som en analog tuner med høy ytelse. Dette ved å koble den til lydinngangen på en forforsterker eller integrert forsterker. Hovedhøytaleren dempes ikke når du bruker denne utgangen. Denne kontakten godtar en 3,5mm mini jack tilkobling.
8. **AC-INNGANG:** Koble til den inkluderte strømkabelen til denne inngangen. Når koble fra strømledningen fra veggstøpselet, alltid grip tak i selve stikkkontakten. Når koble fra strømledningen, alltid grip godt tak i selve koblingen. Aldri dra i selve ledningen. Ikke bind sammen strømledningen med den eksterne FM antennen eller noen andre lyd kabler, for det kan injisere støy på lydbølgen.

Bluetooth Drift

Før synkronisering, bekreft at din enhet støtter *Bluetooth* versjonen 2.1+EDR A2DP, og at din enhet ikke er tilkoblet noe annet *Bluetooth* produkt. Enheter kan synkronisere forskjellig. Nedenfor finner du en generell guide.

1. Skru Model One BT til AUX-posisjonen. Dette vil skru på *Bluetooth*. Skru volumet til omtrent ¼ ved oppstart. I tillegg, skru opp volumet på kildeenheten (enheten som du streamer fra).
2. Skru på *Bluetooth* trådløs teknologi på din aktiverte enhet.
3. Velg "Tivoli *Bluetooth* (Not Paired)" når det fremkommer på skjermen på din enhet. Dette for å starte søk. Noen enheter vil be deg føre inn et PIN-nummer. Dersom så er tilfelle, før inn "0000". "Tivoli *Bluetooth*" kommer til å endre status fra "Not Paired" (ikke synkronisert) til "Connected" (synkronisert).
4. Du kommer til å høre en ringetone fra Model One BT som bekrefter tilkobling, og du kan nå begynne trådløs avspilling av dine musikkfiler. Juster volumet på din enhet. Du skal ikke behøve å synkronisere din enhet på ny. **Du må kanskje foreta flere forsøk på synkronisering med, og/eller oppkobling til, modellen One BT. Dette avhenger av din enhet. Men vennligst gi enheten din adekvat tid til å synkronisere eller koble til før du gjentar prosessen.**

Synkronisering Av En iPhone/iPod Touch/iPad Som Er Aktivisert Med *Bluetooth* Trådløs Teknologi

1. Skru Model One BT til AUX-posisjonen. Dette vil skru på *Bluetooth*. Skru volumet til omtrent ¼ ved oppstart. I tillegg, skru opp volumet på kildeenheten (enheten som du streamer fra).
2. Velg "Settings" (Innstillinger) (avhengig av enhetens programvareversjon).
3. Velg "General" (Generelt).
4. Velg "*Bluetooth*".
5. Skru *Bluetooth* "On" (på) for å starte søk.
6. Velg "Tivoli *Bluetooth* (Not Paired)" når det fremkommer på skjermen. Dersom du blir bedt om å føre inn et PIN-nummer, før inn "0000". "Tivoli *Bluetooth*" kommer til å endre status fra "Not Paired" (ikke synkronisert) til "Connected" (synkronisert).
7. Du kommer til å høre en ringetone fra Model One BT og du kan nå begynne trådløs avspilling av dine musikkfiler. Juster volumet på din enhet. Du skal ikke behøve å synkronisere din iPhone/iPod/iPad på ny

Volumets utgangsnivå varierer for de forskjellige musikkfiler. Dersom du foretrekker et høyere utgangsnivå på volumet, kontroller innstillingene på din iPhone/iPod touch/iPad: Still EQ til av, lydtest til av og volumnivået til av.

Dersom det oppstår et problem med synkroniseringen, på skjermen til din iPhone/iPod touch/iPad, trykk på den lille pilen på høyre side på "Tivoli *Bluetooth*", og velg "Forget this device" (glem denne enheten). Deretter gjenta synkroniseringsprosessen. **Du må kanskje foreta flere forsøk på synkronisering med, og/eller oppkobling til, modellen One BT. Dette avhenger av din enhet. Men vennligst gi enheten din adekvat tid til å synkronisere eller koble til før du gjentar prosessen.**

Ved streaming av musikk, så kan du på skjermen til iPhone/iPod touch/iPad trykke på den blå pilen på høyre side av knappen for neste musikkfil >>. Dette for å alternere mellom iPhone/iPod/iPad og *Bluetooth*.

- Model One BT husker synkroniseringsinformasjon for inntil 8 enheter. Flere enheter kan synkroniseres, men den enheten som ble benyttet for lengst tid siden, vil erstattes av den nylig synkroniserte enheten.
- Dersom lyden faller ut eller stanser under avspilling, flytt enheten nærmere Model One BT eller kontroller at ingen annen trådløs enhet forstyrrer signalet.
- Når du bytter fra *Bluetooth* til AM eller FM, så må du muligens rejustere (senke) radioens volumnivå.

Mottakelse

De interne FM og AM antennene vil gi god mottakelse. Bygninger laget av betong, stål eller aluminiumsfasader vil hindre mottakelse. Husholdningsapparater, datamaskiner, CD-spillere og andre elektroniske enheter, kan også negativt påvirke mottakelse eller injisere støy. Dersom du opplever dette, flytt radioen Model One BT lengre bort fra den uakseptable enheten, eller plugg den i et elektrisk støpsel som ikke deles av noen annen enhet. Metalloverflater kan også hindre mottakelse av AM.

Plassering

Plasser enheten på en flat, stabil overflate. Ikke blokker utgangen på undersiden for bass. Radioen Model One BT har ikke beskyttelse for video, og bør holdes minst 12,5 cm fra en dataskjerm eller fjernsyn. Radioen Model One BT kan plasseres både vertikalt og horisontalt. Plassering i en bokhylle, kabinett, nære vegger eller hjørner kan muligens dempe bassen.

Rensing

Alldri bruk noen sterkt konsentrerte rense- eller løsemidler på din radio. Unngå voks i sprayform. Koble fra radioen Model One BT før rensing. Frontpanelet kan renses med en lett fuktet, myk klut. Maling eller fargelegging av kabinettet vil ugyldiggjøre garantien.

NOTAT: Kabinettene til tivoli audio består av ekte trefiner. det er umulig å få nøyaktig lik farge på treet for alle modellene, da naturlig tre varierer stort i tekstur. du kan også komme til å merke at treet mørkner over tid grunnet eksponering for sollys. Dette er normalt for ekte tre.

Begrenset Garanti

Tivoli Audio produserer våre produkter etter veldig høye standarder, og vi er sikre på at de fungerer bra! Så henseende gir vi en begrenset garanti til den ekte eieren av dette produktet. Produktgarantien gjelder eventuelle produksjonsfeil vedrørende materiale og bearbeidelse. Denne garantien er ikke overførbar.

Produkter kjøpt innen EU og Norge har en minimum garanti pålydende to år. For land hvor regler for minimumsgaranti er fastsatt ved lov, garantiperioden etterfølger her det som loven krever. Alle andre steder, garantiperioden er pålydende ett år.

Denne begrensede garantien dekker funksjonaliteten til produktet for dets normale, beregnet bruk som spesifisert i denne eiermanualen. Den dekker ikke en funksjonsfeil eller skade som har oppstått fra uriktig eller urimelig bruk eller installasjon, bruk av laderen til å lade alkaliske batterier, feil på hjelpeutstyr, modifikasjoner, uautorisert reparasjon, skade eller tap under frakt, misbruk, ulykker, bruk av uriktig strømspenning, overspenninger, lynnedslag eller andre hendelser fra naturens side, for mye fuktighet, normal slitasje ved daglig bruk, kommersiell bruk eller kjøp fra uautoriserte forhandlere. Bevis på kjøp som viser at enheten ble kjøpt fra en autorisert forhandler, vil sannsynligvis kreves fremlagt ved vedlikehold ifølge garanti. **Vedrørende vedlikehold eller reparasjon ifølge garanti, vennligst kontakt forhandleren som du kjøpte enheten fra eller en lokal distributør.**

Vennligst avstå fra og åpne dette produktet eller ta det fra hverandre, da dette vil ugyldiggjøre denne begrensede garantien. Det finnes ingen deler på innsiden som kan repareres av bruker. Tivoli Audio betaler ikke for kostnader som har oppstått grunnet korreksjon av problemer med mottak, eliminering av eksternt oppstått stativ/støy, tap av tid, ulempe, tap av benyttelse av produkt eller skade forårsaket av uriktig bruk av dette produktet.

Dersom produktet er returnert innenfor garantiperioden og har krav på reparasjon ifølge den begrensede garantien, så vil vi reparere eller erstatte enhver defekt del innen en rimelig tidsperiode og uten kostnad.

DENNE BEGRENSEDE GARANTIE GIR DEG SPESIFIKKE LOVPÅLAGTE RETTIGHETER IFØLGE ANGITTE BETINGELSER. DET KAN VÆRE DU HAR ANDRE LOVPÅLAGTE RETTIGHETER OGSÅ SOM GJELDER DET PRODUKTET DU HAR ANSKAFFET DEG. DISSE LOVPÅLAGTE RETTIGHETENE VARIERER FRA LAND TIL LAND. NOEN STEDER TILLATER IKKE UTELATELSE, RESTRIKSJON ELLER MODIFISERING AV BESTEMTE UNDERFORSTÅTTE RETTIGHETER ELLER DERES EFFEKT. I DE SITUASJONER SÅ VIL DENNE BEGRENSEDE GARANTIE IKKE GJELDE TIL DEN GRADEN SOM DEN GJELDENE LOVEN TILLATER.

Lovene i ditt land kan muligens gi deg lovpålagte krav mot selgeren eller produsenten av dette produktet. Denne begrensede garantien påvirker ikke disse rettighetene.

Den begrensede garantiens avsetninger er i stedet for alle andre garantier eller forhold, bortsett fra de som er nedskrevet i lov. Denne begrensede garantien påvirker ikke noen lovpålagte rettigheter som er gitt deg, og hindrer ikke noe rettsmiddel du måtte ha ifølge lov.

I land hvor begrensninger vedrørende ansvar ikke hindres av lov, det maksimale ansvar som Tivoli Audio har skal ikke overskride kjøpsprisen av produktet. I land hvor begrensninger vedrørende ansvar hindres av lov, er Tivoli Audio ansvarlig for kun det som har med direkte fysisk skade å gjøre, og/eller personlig eiendeler oppstått grunnet uaktsomhet fra Tivoli Audio.

Hvor det ikke er forbudt ifølge lov, skal Tivoli Audio ikke være ansvarlig for spesielle eller, tilfeldige, som følge av direkte skader. Noen steder tillater ikke begrensninger på utelatelse eller begrensning av lindring, spesiell, tilfeldig, følge- eller indirekte skader, eller begrensningen av ansvar for spesifiserte beløp, så begrensningene eller utelatelsene ovenfor gjelder kanskje ikke for deg.

Denne begrensede garantien ugyldiggjøres dersom etiketten som bærer serienummeret er fjernet eller er uleselig.

Dersom du kjøpte en utvidet vedlikeholdskontrakt fra din forhandler og vedlikehold behøves etter utløpet av denne begrensede garantien, vennligst kontakt forhandleren som du kjøpte kontrakten fra for å be om vedlikehold.

For din bekvemmelighet, kan du registrere ditt produkt for vedlikehold ifølge garanti. Dette gjør du på nettet ved vår hjemmeside www.tivoliaudio.com. Det er ingen lovpålagt plikt som sier at du må oppgi personlig informasjon. Likevel, slik informasjon tillater oss å opprettholde dokumentasjon på produktene ervervet av deg fra Tivoli Audio, og gjør at vi kan bedre forstå kjøperne av våre produkter. Informasjonen som innhentes vil benyttes til markedsføringsformål av Tivoli Audio og, hvor tillatt, kontakte deg vedrørende produktene du har ervervet, eller vedrørende andre produkter fra Tivoli Audio eller andre firma som kan ha interesse for deg. Informasjonen som du oppgir kan muligens bli behandlet i et annet land.

Spesifikasjoner

Modell:	Tivoli Audio® Model One® BT
Type:	AM/FM analog mono bordradio med <i>Bluetooth</i> trådløs teknologi
Prossessor:	En 76.2 mm (3") full tone prosessor
Dimensjoner:	21.3 cm B x 11.4 cm H x 13.3 cm D (8.375" B x 4.5" H x 5.25" D)
Vekt:	1.88 kg (4.14 lbs)

Spesifikasjoner kan endres på uten forvarsel.

Tivoli Audio reserverer retten til å endre på produkter uten forvarsel.

Tivoli Audio, Tivoli Audio-logoen og Model One BT er varemerker tilhørende Tivoli Audio, LLC. *Bluetooth* ordmerke og logoer er registrerte varemerker eiet av Bluetooth SIG, Inc. og enhver bruk av sådane merker av Tivoli Audio er gitt med lisens. iPod, iPod touch, iPhone, og iPad er varemerker for Apple Inc., registrert i USA og andre land. Andre varemerker og handelsnavn er tilhørende andre respektive eiere.





Tämä symbolin tarkoituksena on varoittaa käyttäjää sähköiskun vaarasta.



Tämä symbolin tarkoituksena on huomauttaa tärkeästä laitteen käyttöön liittyvästä ohjeesta tai varoituksesta.

Tärkeitä Turvallisuusohjeita

1. Lue nämä ohjeet.
2. Säilytä nämä ohjeet.
3. Ota vaarin kaikista varoituksista.
4. Noudata kaikkia ohjeita.
5. VAROITUS – Sähköiskuvaaran vähentämiseksi älä altista tätä laitetta kosteudelle tai sateelle.
6. Puhdista vain kuivalla liinalla.
7. Älä tuki tuuletusaukkoja. Asenna valmistajan ohjeiden mukaan.
8. Älä asenna lähelle lämpölähteitä kuten pattereita, lämpörekistereitä, liesiä tai muita laitteita (mukaan lukien vahvistimet), jotka tuottavat lämpöä.
9. Älä kumoa polarisoidun tai maadoitetun pistokkeen turvatarkoitusta. Polarisoidussa pistokkeessa on kaksi piikkiä, joista toinen on leveämpi. Maadoitetussa pistokkeessa on kaksi piikkiä ja kolmas maadoituspiikki. Leveä piikki, tai kolmas piikki, on turvallisuutesi vuoksi. Jos toimitettu pistoke ei sovi pistorasiaan, pyydä sähköasentajaa asentamaan uusi pistorasia.
10. Suojaa virtajohtoa sen päällä kävelemiseltä tai sen puristumiselta, varsinkin pistokkeiden ja pistorasioiden kohdalla ja niiden laitteesta ulostulon kohdassa.
11. Käytä vain valmistajan määrittämiä lisälaitteita/lisävarusteita.
12. Käytä vain valmistajan määrittämän tai laitteen mukana myydyin vaunun, jalustan, kolmijalkaisen jalustan, kannattimen tai pöydän kanssa. Jos käytät vaunua, varo ettei vaunun ja laitteen yhdistelmä kaadu sitä siirrettäessä.
13. Kytke tämä laite irti virrasta ukonilman aikana tai kun sitä ei käytetä pitkään aikaan.
14. Käytä tätä tuotetta vain takapaneeliin merkitystä virtalähteestä. Jos ulkoista virtalähdettä käytettäessä se vaurioituu tai häviää, on tilalle hankittava täsmälleen samanlainen. Käytettäessä tuotetta paristovirralla katso ohjeita käyttöoppaasta.



15. Kytke tuote irti seinäpistorasiasta ja anna se pätevän huoltohenkilökunnan huollettavaksi seuraavissa tilanteissa:
 - a. Kun virtajohto tai pistoke on vaurioitunut.
 - b. Jos tuotteeseen on läikkinyt nestettä tai pudonnut esineitä.
 - c. Jos tuote on altistettu vedelle tai sateelle.
 - d. Jos tuote ei toimi kunnolla käyttöohjeita noudattamalla.
 - e. Jos tuote on pudonnut tai vaurioitunut.
 - f. Jos tuotteen suorituksessa on merkittävä muutos.
16. Kun tarvitaan vaihto-osia, varmista, että huoltoteknikko on käyttänyt valmistajan määrittämiä vaihto-osia tai alkuperäisiä osia vastaavia tuotteita. Valtuuttamattomien vaihto-osien käyttö voi aiheuttaa tulipalon, sähköiskun tai muita vaaroja.
17. Jokaisen huoltokerran jälkeen pyydä huoltoteknikkoa suorittamaan turvallisuustarkistukset, jotta varmistetaan tuotteen olevan hyvässä käyttökunnossa.
18. Laitetta ei saa altistaa nesteiden tippumiselle tai roiskumiselle eikä sen päälle saa asettaa nesteitä sisältäviä esineitä, kuten kukkamaljakoita.
19. Suositeltava käyttölämpötila on 5°C – 40°C (41°F – 104°F).
20. 12 V tasavirtatulo sopii tämän tuotteen käyttöön veneessä tai asuntoautossa, käyttäen valinnaista 12 V tasavirran, 1 A sulakkeellista sovitinta.
21. Tämä tuote tulee pitää turvallisella etäisyydellä liekistä, kuten esim. palava kynttilä.
22. VAROITUS – Verkkovirta ei ole katkaistu off-asennossa, mutta piirit ovat virrattomia.
23. Kanada noudattaa vaatimuksia RSS210, ICES-003.
24. Virtajohdon pistoke toimii virrankatkaisuvälineenä ja sen tulisi olla helposti käytettävissä.



VAROITUS: KIINNITETTYÄ MODEL ONE BT -ANTENNIA EI OLE TARKOITETTU IRROTETTAVAKSI.



Tämä tuote voidaan kierrättää. Tällä merkillä merkityjä tuotteita EI saa heittää pois tavallisen kotitalousjätteen mukana. Tuotteen käyttöään lopussa se on vietävä sähköisten ja elektronisten laitteiden kierrätykseen tarkoitettuun keräyspisteeseen. Pyydä lisätietoja palautuksesta ja keräyspisteistä paikallisilta viranomaisilta.

Euroopan sähkö- ja elektroniikkalaiteromusta annettu direktiivi (WEEE) on toteutettu vähentämään kaatopaikoille menevän romun määrää ja siten vähentämään ympäristöä ja ihmisten terveyttä koskevaa vahinkoa. Toimi vastuuntuntoisesti kierrättämällä käytetyt tuotteet. Jos tuote on yhä käyttökelpoinen, harkitse sen lahjoittamista tai myymistä.

Model One BT: N Ohjeet

Onnittelut Model One BT-pöytäradion oston johdosta. Uskomme, että Model One BT on yksi parhaista analogisista mono-pöytäradioista markkinoilla. *Bluetooth*-langattoman teknologian lisäyksen ansiosta voit virtauttaa musiikkia langattomasti Model One BT:hen.

Tiedämme, että olet innokas käyttämään uutta radiotasi, mutta pyydämme sinua ensin lukemaan tämän käyttöoppaan ja turvallisuusohjeet. Jos sinulla on kysymyksiä, älä epäröi ottaa yhteyttä jälleenmyyjääsi tai Tivoli Audioon.

Säilytä laatikko ja alkuperäispakkaus siltä varalta, että radio on joskus lähetettävä muualle, koska tehtaan takuu ei kata kuljetusvaurioita.

Kiitämme meidän kaikkien puolesta, että olet valinnut Tivoli Audion ja toivomme sinun nauttivan uudesta Model One BT-radiostasi.

Tietoja Tivoli Audio

Tivoli Audion on perustanut Tom DeVesto tarkoituksella tuoda helppokäyttöisiä, tyylikkäitä, korkealuokkaisia audiotuotteita asiakkaille. Edellisen yhtiönsä, Cambridge SoundWorks*, toimitusjohtajana ja tutkimus- ja kehitystoiminnan päällikkönä, Tom oli vastuussa monien parhaiden kotiviihde- ja multimediatuotteiden kehityksestä markkinoilla. Hän toimi myös tuotekehittelyn ylimmän johdon asemassa sekä Advent että Kloss Video.

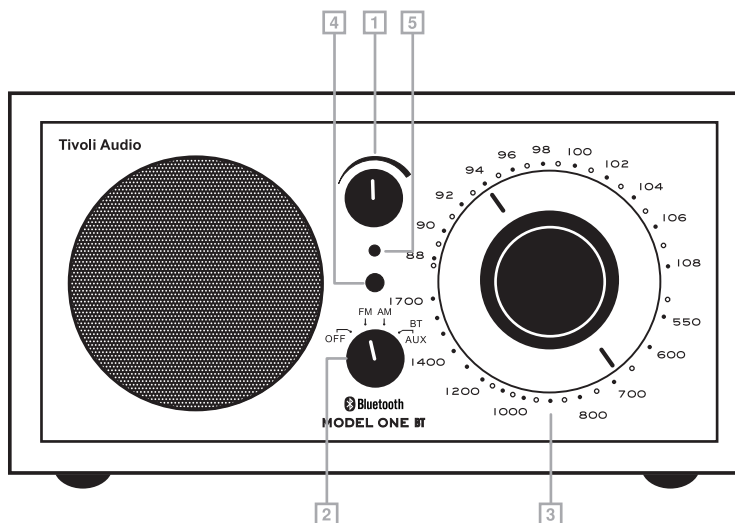
*Cambridge SoundWorks on rekisteröity tuotemerkki, jonka omistaa Creative Labs, Singapore.

Model One BT:n kanssa toimitetaan yksi seuraavista:

- Yksi (1) kpl. 2,7 m (9 jalan) virtajohto
- Yksi (1) FM-lanka-antenni TAI yksi (1) liitetty FM-teleskooppiantenni (maan mukaan)

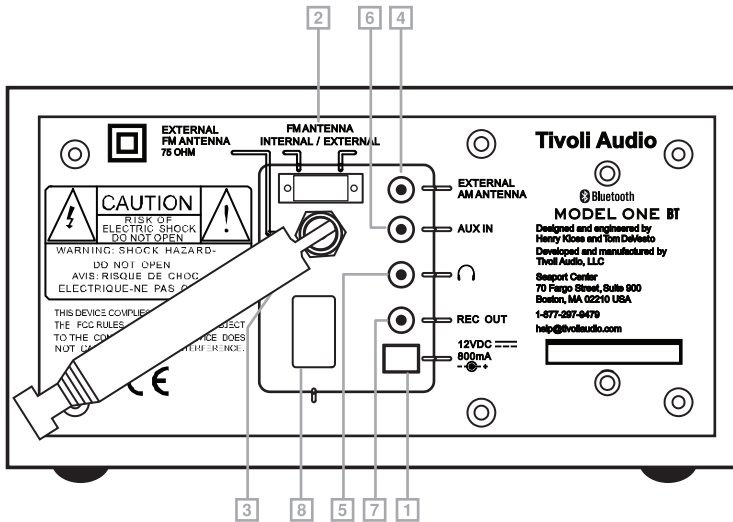
Ota yhteyttä jälleenmyyjään tai Tivoli Audioon, jos yksi näistä osista puuttuu.

Opas Toimintoihin (Etupuoli)



- ÄÄNENVOIMAKKUUDEN SÄÄDIN:** Lisää äänenvoimakkuutta kääntämällä nuppia oikealle tai pienennä äänenvoimakkuutta kääntämällä nuppia vasemmalle. Tämä nappi säätää myös kuulokkeiden äänenvoimakkuuden.
- OFF/FM/AM/AUX-SÄÄDIN:** Naksauta nuppia kerran oikealle kuullaksesi FM-taajuuksilla, naksauta kaksi kertaa oikealle kuullaksesi AM-taajuuksilla tai kolme kertaa oikealle, jos valitset lisälaitetulon. Aktivoi *Bluetooth* vaihtamalla Aux-asentoon ja noudattamalla ohjeita kohdasta "*Bluetooth-käyttö*".
- VIRITYSSÄÄDIN:** Käännä analogisen virityksen valitsinta oikealle tai vasemmalle säätääksesi FM- (valitsimen yläosa) tai AM-taajuuudet (valitsimen alaosa) .
- VIRITYKSEN ILMAISIN:** Kirkkain, kun paras viritys on saavutettu. Joissakin kuunneltavissa AM-asemissa ei näy valoa virityksen ilmaisimissa, nämä asemat on viritettävä korvakuulolla parhaan signaalin saamiseksi. Tämä valo ei saata jäädä palamaan AUX-asemassa, riippuen AM-valitsimen asennosta.
- VIRRAN ILMAISIN:** Valo palaa, kun lähdenappi on missä tahansa asennossa paitsi Pois päältä (Off).

Opas Toimintoihin (Takapaneeli)



- 12VDC/800mA:** Tätä tuloliitäntää käytetään valinnaisen 1 A:n sulakkeellisen 12 V tasavirtasovittimen kanssa Bvneessä tai matkailuautossa. Liittimen on oltava 5,5 mm/2,1 mm keskipositiivinen.
- FM-ANTENNIN KYTKIN:** Sisäisen ja ulkoisen FM-antennin välinen kytkin. Tällä kytkimellä ei ole vaikutusta AM-vastaanottoon. Joissakin tapauksissa FM-vastaanotto voi parantua asettamalla tämä kytkin ulkoisen asentoon.
- ULKOINEN FM-YHTEYS:** Kun kuuntelet FM-asemaa, riippuen maasta, liu'uta toimitettu lanka-antenni tähän F-liittimeen tai säädä teleskooppiantennin asentoa ja suuntaa parhaan vastaanoton saamiseksi. Jos alueella on vahva FM-signaali, antennin lyhentäminen voi tuottaa paremman vastaanoton. Kun yksikkö ei ole käytössä tai kuunneltaessa AM-asemaa, antenni tulee vetää sisään sen suojaamiseksi. Tällä antennilla ei ole vaikutusta AM-vastaanottoon. Katso lisätietoja kohdasta "Vastaanotto".
- ULKOINEN AM-LIITÄNTÄ:** Joissakin tapauksissa AM-vastaanottoa voidaan parantaa liittämällä ulkoinen AM-antenni (hankittava erikseen) tähän liitäntään, johon sopii 3,5mm:n stereon urosminiiliitin. Katso lisätietoja kohdasta Vastaanotto.
- KUULOKKEEN ULOSTULO:** Liitä kuulokkeet (hankittava erikseen) tähän stereoliitäntään kun haluat kuunnella ilman kaiuttimia. Kuulokkeet mykistävät pääkaiuttimen. Kuulokkeiden äänenvoimakkuutta säädetään nupista. Tähän stereotuloon sopii 3,5mm:n stereon miniurosliitin. Vältä käyttämästä kuulokkeita kovalla äänenvoimakkuudella, koska se saattaa vahingoittaa kuuloasi.
- AUX IN:** Kuunnellaksesi muita laitteita kuten CD-soitin, MP3-soitin tai tietokone, liitä kyseisen laitteen audio-lähtö tähän stereon tuloon ja kytke etupaneelin lähdenuppi asentoon Aux. Aux-asentoon vaihtaminen ei käynnistä liitettyä laitetta. Tähän stereotuloon sopii 3,5mm:n stereon miniurosliitin. Vasen ja oikea stereosignaali on yhdistetty monoksi. Aux In-liitäntä ei ole käytettävissä, kun *Bluetooth*-laite on yhdistetty. Irrota ensin *Bluetooth*-laite käyttääksesi langallista Aux In-toimintoa. **HUOMAUTUS:** Aux-liitäntässä olevan laitteen äänenvoimakkuutta on ehkä säädettävä eri tasolle kuin radiota kuunneltaessa.

7. **REC OUT:** Voit tallentaa Model One BT -radiosta liittämällä kasettisoittimen audiotulon (tai muun tallentimen) tähän kiinteän tason stereoulostuloon. Voit myös käyttää Model One BT-radiota huipputehoisena analogisena virittimenä liittämällä sen esivahvistimen tai sisäisen vahvistimen audiotuloon. Pääkaiutin ei mykisty tätä ulostuloa käytettäessä. Tähän liitintään sopii 3,5mm:n stereon miniurosliitin.
8. **Vaihtovirran syöttö:** Liitä mukana toimitettu virtajohto tähän syöttöliitäntään. Kun irrotat virtajohtojen seinän pistorasiasta, vedä aina johdon pistokkeesta. Suosittelemme ylijännitesuojatun jakorasian käyttöä. Kun irrotat virtajohtojen pistorasiasta, tartu johtoon aina tukevasti liittimestä. Älä koskaan vedä itse johdosta. Älä niputa virtajohtoa yhteen ulkoisen FM-antennin tai muun audiokaapelin kanssa, koska tämä voi tuottaa häiriötä audiololulle.

Bluetooth-Toiminnon Käyttö

Varmista ennen laiteparin muodostamista, että laite tukee *Bluetooth* 2.1+EDR A2DP -toimintoa ja laitetta ei ole yhdistetty muuhun *Bluetooth*-tuotteeseen. Laitteet voivat muodostaa pariyhteyden eri tavalla. Seuraavassa on yleiset ohjeet.

1. Kytke Model One BT Aux-asentoon. Tämä käynnistää *Bluetooth*-toiminnon. Käännä äänen-voimakkuus aluksi noin 1/4. Lisää myös lähdelaitteen äänenvoimakkuutta (laite, josta ääni virtautetaan).
2. Käynnistä *Bluetooth*-langaton teknologia sitä käyttävässä laitteessa.
3. Valitse "Tivoli *Bluetooth* (Not Paired)" (ei pariyhteyttä), kun se ilmestyy laitteen näyttöön haun aloittamiseksi. Jotkin laitteet pyytävät antamaan PIN-tunnuksen. Jos näin tapahtuu, anna "0000". "Tivoli *Bluetooth*"-tila muuttuu tilasta "Not Paired" (ei pariyhteyttä) tilaan "Connected" (yhdistetty).
4. Kuulet soittoaänen Model One BT:stä, jolla vahvistetaan yhteys ja voit alkaa toistaa musiikkitiedostoja langattomasti. Säädä laitteesi äänenvoimakkuutta. Laitteen pariyhteyttä ei tarvitse muodostaa uudelleen. **Laitteestasi riippuen voit joutua yrittämään pariyhteyden luomista ja/tai yhdistämistä useaan kertaan Model One BT-laitteeseen, mutta anna laitteellesi riittävästi aikaa pariyhteyden tai yhteyden muodostamiseen ennen prosessin toistamista.**

Pariyhteyden Muodostaminen Bluetooth -Langatonta Teknologiaa Käyttävillä iPhone/iPod touch/iPad-Laitteilla

1. Kytke Model One BT Aux-asentoon. Tämä käynnistää *Bluetooth*-toiminnon. Käännä äänen-voimakkuus aluksi noin 1/4. Lisää myös lähdelaitteen äänenvoimakkuutta (laite, josta ääni virtautetaan).
2. Valitse "Settings" (asetukset) (laitteesi ohjelmistoversion mukaan).
3. Valitse "General" (yleiset).
4. Valitse "*Bluetooth*".
5. Kytke *Bluetooth* "On" (päälle) haun aloittamiseksi.
6. Valitse "Tivoli *Bluetooth* (Not Paired)" (ei pariyhteyttä), kun viesti tulee näyttöön. Jos sinua pyydetään antamaan PIN-tunnus, anna "0000". "Tivoli *Bluetooth*"-tila muuttuu tilasta "Not Paired" (ei pariyhteyttä) tilaan "Connected" (yhdistetty).
7. Kuulet soittoaänen Model One BT:stä, jolla vahvistetaan yhteys ja voit alkaa toistaa musiikkitiedostoja langattomasti. Säädä laitteesi äänenvoimakkuutta. iPhone/iPodin/iPadin pariyhteyttä ei tarvitse muodostaa uudelleen.

Musiikkitiedostojen äänenvoimakkuustaso vaihtelee. Jos haluat käyttää korkeampaa tasoa, tarkista asetukset laitteista iPhone/iPod touch/iPad: Aseta EQ Off (pois päältä), SoundCheck Off (äänentarkistus pois) ja Volume limit Off (äänenvoimakkuus pois).

Jos laiteparin muodostamisessa on ongelmia, paina iPhone/iPod touch/iPad-laitteen näytössä olevaa pientä nuolta "Tivoli *Bluetooth*" oikealla puolella ja valitse "Forget this Device" (unohda tämä laite), ja toista laiteparin muodostaminen. **Laitteestasi riippuen voit joutua yrittämään pariyhteyden luomista ja/tai yhdistämistä useaan kertaan Model One BT-laitteeseen, mutta anna laitteellesi riittävästi aikaa pariyhteyden tai yhteyden muodostamiseen ennen prosessin toistamista.**

Musiikkia virtautettaessa voit painaa seuraavan raidan painikkeen oikealla puolella olevaa sinistä nuolta >>/ iPhone/iPod touch/iPad-laitteiden näytössä vaihtaaksesi laitteiden iPhone/iPod/iPad ja *Bluetooth* välillä.

- Model One BT muistaa laiteparitiedot 8 laitteelle. Lisälaitepareja voidaan muodostaa, mutta vähiten viimeksi käytetty laite korvataan uudella paritetulla laitteella.
- Jos audio menetetään tai se pysähtyy toiston aikana, siirrä laite lähemmäksi Model One BT:tä tai tarkista, ettei toinen langaton laite häiritse signaalia.
- Kun vaihdat *Bluetooth*-toiminnosta AM- tai FM-radioon, sinun on ehkä säädettävä (alennettava) radion äänenvoimakkuustasoa.

Vastaanotto

Sisäisillä FM- ja AM-antenneilla saadaan hyvä vastaanotto. Betonista, teräksestä ja alumiinista rakennetut rakennukset estävät vastaanottoa. Kodinkoneet, sähköpeitteet, tietokoneet, CD-soittimet ja muut elektroniset laitteet voivat myös haitallisesti vaikuttaa vastaanottoon tai tuottaa häiriötä. Jos koet tällaisia häiriöitä, siirrä Model One BT -radio kauemmaksi häiritsevästä laitteesta tai kytke se pistorasiaan, johon ei ole kytketty muita laitteita. Metallipinnat voivat myös estää AM-vastaanottoa.

Sijoitus

Aseta yksikkö tasaiselle, vakaalle pinnalle. Model One BT -radio ei ole magneetisuojattu ja se tulisi pitää vähintään 12.7 cm päässä kuvaputkityyppisen tietokoneen tai television näytöstä. Model One BT-radio voidaan sijoittaa pystyasentoon tai vaaka-asentoon. Sijoittaminen kirjahyllyyn, kaappiin tai lähelle seiniä tai nurkkia voi lisätä bassoa.

Puhdistaminen

Älä koskaan käytä kovia puhdistusaineita tai liuotteita radion puhdistamiseen. Vältä vahan suihkutamista. Kytke Model One BT -radio irti ennen puhdistamista. Etupaneeli voidaan puhdistaa hieman kostealla pehmeällä liinalla. Puisen kaapin maalaaminen tai värjääminen voi mitätöidä takuun.

HUOMAUTUS: Tivoli Audio -kaappeihin käytetään aitoa puuvaneeria. Koska luonnon puun värit vaihtelevat suuresti, eri mallien kesken ei ole mahdollista saada täsmällisesti samaa puun väriä ja pintakuviointia. Voit ehkä myös huomata puun tummenevan aikaa myöten auringon valolle altistumisesta. Tämä on myös normaalia aidolle puulle.

Rajoitettu Takuu

Tivoli Audio valmistaa tuotteensa täyttämään korkeat laatuvaatimukset ja luotamme siihen, että tuotteemme toimivat hyvin. Tämän mukaisesti myönnämme alkuperäiselle ostajalle tämän tuotteen materiaaleja ja valmistusta koskevan rajoitetun takuun. Tämä takuu ei ole siirrettävissä.

Euroopan unionin maissa ja Norjassa ostetuilla tuotteilla on kahden vuoden vähimmäistakuu-aika. Maissa, joissa säädökset määrittävät vähimmäistakuu-ehdot, takuu-aika on säädöksen vaatima aika. Kaikissa muissa paikoissa takuu-aika on yksi vuosi.

Rajoitettu takuu kattaa tuotteen toimivuuden sen normaalissa sille tarkoitettussa käytössä kuten määritellään tässä omistajan oppaassa. Se ei kata vikaa tai vauriota, joka johtuu väärästä tai kohtuuttomasta käytöstä tai asennuksesta, alkaliparistojen lataamisesta laturilla, viallisesta lisälaitteesta, muunnoksista, luvottomista korjauksista, kuljetusvaurioista tai menetyksestä, väärinkäytöstä, onnettomuuksista, väärällä jännitteellä/virralla käytöstä, virtapiikeistä, salamoinnista tai muista luonnonmullistuksista, liiallisesta kosteudesta, normaalista kulumisesta, kaupallisesta käytöstä tai luvottomilta jälleenmyyjiltä ostoista. Takuupalvelun saamiseksi voidaan vaatia ostosite todisteena, että yksikkö on ostettu valtuutetulta jälleenmyyjältä. **Ota yhteyttä tuotteen jälleenmyyjään tai paikalliseen jakelijaan takuupalvelun tai korjauksen suhteen.**

Älä avaa tätä tuotetta tai pura sitä, koska tämä voi mitätöidä rajoitetun takuun. Laitteen sisällä ei ole käyttäjän huollettavia osia. Tivoli Audio ei maksa kuluja, jotka aiheutuivat vastaanotto-ongelmien korjauksesta, ulkoisen staattisuuden/häiriön poistosta, ajan menetyksestä, hankaluuksista, tuotteen käytön menetyksestä tai tämän tuotteen väärästä käytöstä.

Siinä tapauksessa, että tuote palautetaan takuuajan aikana ja on oikeutettu saamaan huoltoa tämän rajoitetun takuun puitteissa, korjaamme tai vaihdamme vialliset osat kohtuullisen ajan kuluessa ja ilmaiseksi.

TÄMÄ RAJOITETTU TAKUU ANTAA KÄYTTÄJÄLLE TIETTYJÄ LAILLISIA OIKEUKSIA MÄÄRÄTYJEN OLOSUHEIDEN ALAISENA. SINULLA VOI OLLA MYÖS MUITA LAILLISIA OIKEUKSIA, JOTKA SOVELTUVAT HANKKIMAASI TUOTTEESEEN. NÄMÄ LAILLISET OIKEUDET VAIHTELEVAT ERI MAIDEN MUKAAN. JOISSAKIN PAIKOISSA EI SALLITA TIETTYJEN KONKLUDENTTISTEN OIKEUKSIEN TAI NIIDEN VAIKUTUSTEN POISSULKEMISTA, RAJOITUSTA TAI MUUNTAMISTA. NÄISSÄ TAPAUKSISSA TÄMÄ RAJOITETTU TAKUU ON VOIMASSA VAIN SOVELLETTAVAN LAIN SALLIMASSA LAAJUUDESSA.

Oman maasi lait voivat antaa sinulle laillisia vaateita tämän tuotteen myyjää tai valmistajaa vastaan. Tämä rajoitettu takuu ei vaikuta kyseisiin oikeuksiin.

Rajoitetun takuun säännökset annetaan kaikkien muiden takuiden tai ehtojen sijasta, laissa määritettyä lukuunottamatta. Tämä rajoitettu takuu ei vaikuta lain sinulle antamiin laillisiin oikeuksiin eikä kiellä sinulla mahdollisesti olevaa lain alaista korvausvaatimusta.

Maissa, joissa vastuun rajoitukset eivät ole säädösten kielttämiä, Tivoli Audion enimmäisvastuu ei saa ylittää tuotteesta maksettua ostohintaa. Maissa, joissa vastuun rajoitukset ovat laissa kiellettyjä, Tivoli Audio ei ole vastuussa muusta kuin henkilövämmöjen suorista vahingoista ja/tai henkilökohtaisen tai kiinteistön suorista vahingoista, jotka johtuvat Tivoli Audion laiminlyönnistä.

Missä tämä ei ole laissa kielletty, Tivoli Audio ei ole vastuussa erityisistä, satunnaisista, seuraamuksellisista tai epäsuorista vahingoista. Joissakin paikoissa ei sallita rajoituksia mitä tulee lievennysten, erityisten, satunnaisten, seuraamuksellisten tai epäsuorien vahinkojen poissulkemiseen tai rajoitukseen, tai vastuun rajoitusta tiettyihin määriin, joten yllä olevat rajoitukset tai poissulkemiset eivät saata koske sinua.

Tämä rajoitettu takuu on mitätön, jos sarjanumerolipuke on poistettu tai turmeltu.

Jos ostit laajennetun huoltosopimuksen jälleenmyyjältäsi ja huolto on tarpeen tämän rajoitetun takuuajan mentyä umpeen, ota yhteyttä laajennetun huoltosopimuksen tarjoajaan huollon saamiseksi.

Voit kätevästi rekisteröidä tuotteesi takuuhuoltoa varten verkossa osoitteessa www.tivoliaudio.com. Sinulla ei ole mitään laillista velvollisuutta antaa henkilökohtaisia tietoja. Sellaisten tietojen avulla voimme kuitenkin ylläpitää tietoja hankkimistasi Tivoli Audion tuotteista ja ymmärtää paremmin tuotteidemme ostajia. Tivoli Audio käyttää kerättyjä tietoja markkinointitarkoituksiin ja missä sallittu, ottaa yhteyttä sinuun hankkimiesi tuotteiden suhteen tai muiden Tivoli Audion tai muiden yritysten sinua mahdollisesti kiinnostavien tuotteiden suhteen. Antamasi tiedot voidaan käsitellä toisessa maassa.

Tekniset Tiedot

Malli: Tivoli Audio® Model One® BT

Tyyppi: AM/FM analoginen monopöytäradio, jossa *Bluetooth* -langaton teknologia

Ohjain: Yksi 76,2 mm (3") koko alueen ohjain

Mitat: 21,3 cm L x 11,4 cm K x 13,3 cm S
(8,375" L x 4,5" K x 5,25" S)

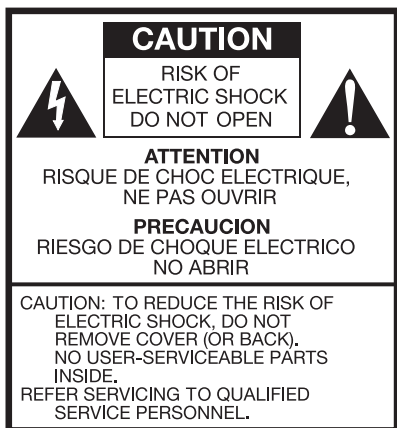
Paino: 1,88 kg (4,14 lbs)

Tekniset tiedot voivat muuttua ilman erillistä ilmoitusta.

Tivoli Audio pidättää itsellään oikeuden tehdä muutoksia tuotteeseen ilman erillistä ilmoitusta.

Tivoli Audio, Tivoli Audio logo ja Model One BT ovat Tivoli Audio, LLC:n tavaramerkkejä. *Bluetooth*-sanamerkki ja logot ovat Bluetooth SIG, Inc:n omistamia rekisteröityjä tavaramerkkejä ja Tivoli Audion sellaisten merkkien käyttö on lisenssin alaista. iPod, iPod touch, iPhone ja iPad ovat Apple Inc:n tavaramerkkejä, jotka on rekisteröity Yhdysvalloissa ja muissa maissa. Muut tavaramerkit ja tavaranimet ovat vastaavien omistajiensa omia.





Denna symbol avser att varna användaren för att icke isolerad spänning kan förekomma inuti apparaten. Vidrörande av delarna inuti apparaten kan leda till elektriska stötar.



Denna symbol avser att upplysa användaren om att viktiga instruktioner angående användandet och handhavandet av apparaten finns att läsa i bruksanvisningen.

Viktiga Säkerhetsföreskrifter

1. Läs dessa anvisningar.
2. Spara dessa anvisningar.
3. Beakta alla varningar.
4. Följ alla bruksanvisningar.
5. **WARNING!** För att undvika risk för brand eller elektrisk stöt, bör denna anordning inte exponeras för regn eller fukt.
6. Rengör endast med en torr duk.
7. Blockera inte ventilationsöppningar. Installera i enlighet med tillverkarens anvisningar.
8. Installera inte nära värmekällor som exempelvis värmeledningselement, värmeaggregat, spisar eller andra apparater (inklusive förstärkare) som genererar värme.
9. Modifiera aldrig polariserade och jordade stickkontakter så att deras säkerhetsfunktioner påverkas. En polariserad stickkontakt har två blad, där det ena är bredare än det andra. En jordad stickkontakt har två blad och ett tredje jordat stift. Det breda bladet, eller tredje stiftet, är för din säkerhet. Om stickkontakten som medföljer inte passar in i uttaget ska du konsultera en elektriker för att byta ut det föråldrade uttaget.
10. Skydda nätsladden så du inte trampar på eller klämmer ihop den, speciellt vid stickkontaktens och eluttagets anslutningspunkt.
11. Använd endast tillbehör/tillvalsutrustning som specificeras av tillverkaren.
12. Använd endast med vagn, stativ, trefotsstativ, fäste eller bord som specificerats av tillverkaren eller som säljs med anordningen. När du använder vagn ska du vara försiktig när du flyttar kombinationen vagn/anordning för att undvika personskada om enheterna välter.
13. Koppla från denna apparat under åskväder eller om den inte ska användas under en längre tid.
14. Använd denna produkt endast med en sådan strömkälla som anges på bakpanelen. För produkter som använder en extern strömförsörjningsdel ska du ersätta den med en exakt liknande enhet om den förloras eller skadas. För produkter som är batteridrivna hänvisas du till användarhandboken.



15. Koppla denna produkt från vägguttaget och hänvisa underhållet till kvalificerad servicepersonal under följande förhållanden:
 - a. När nätsladden eller stickkontakten är skadad.
 - b. Om vätska har spillts på eller föremål fallit in i produkten.
 - c. Om produkten har exponerats för vatten eller regn.
 - d. Om produkten inte fungerar normalt även om du följer bruksanvisningen.
 - e. Om produkten har tappats i marken eller skadats på något sätt.
 - f. När produkten uppvisar klara tecken på ändrad funktionalitet.
16. När reservdelar krävs ska du säkerställa att serviceteknikern har använt sådana reservdelar som specificerats av tillverkaren eller som har samma egenskaper som de originaldelarna. Oauktoriserade utbytesdelar kan resultera i brand, elektriska stöt eller andra risker.
17. Efter fullgjord service ska du be serviceteknikern utföra säkerhetskontroller för att bekräfta att produkten är i fullgott driftsskick.
18. Denna apparat bör inte utsättas för droppar och stänk, och inga vattenfyllda föremål, som exempelvis vaser, bör placeras på apparaten.
19. Det rekommenderade driftstemperaturområdet är 5°C till 40°C (41°F -104°F).
20. 12 VDC-ingången är avsedd för användning av produkten i en båt eller husvagn med hjälp av en 12 VDC-tillvalsadapter på 12 VDC, med 1 A säkring.
21. Håll produkten på ett säkert avstånd från öppen eld, t.ex. ett tänd ljus.
22. **WARNING** - Elnätet är inte frånkopplat i läge av, men kretsarna är frånkopplade.
23. Kanada uppfyller kraven RSS210, ICES-003.
24. Stickkontakten utgör frånkopplingsanordningen och bör hållas nära till hands.

 **WARNING! DEN MONTERADE MODEL ONE BT-ANTENNEN ÄR INTE AVSEDD ATT DEMONTERAS.**



Denna produkt kan återvinnas. Produkter med denna symbol får INTE slängas med normalt hushållsavfall. I slutet på produktens livslängd ska du ta den till ett samlingsställe designat för återvinning av elektriska och elektroniska produkter. Kontakta dina lokala myndigheter för mer information om retur och samlingsställen.

Det europeiska WEEE-direktivet för insamling av uttjänta elektronikprodukter implementerades för att drastiskt minska mängden avfall som går till avfallsupplag, i syfte att minska miljöeffekten på planeten och mänsklig hälsa. Agera ansvarsfullt genom att återvinna förbrukade produkter. Om denna produkt ännu är användbar, överväg att ge bort eller sälja den.

Bruksanvisning För Model One BT

Vi gratulerar dig för ditt köp av bordsradion Model One BT. Vi anser att Model One BT är en av de bästa analoga monokopplade bordsradior på dagens marknad. *Bluetooth* trådlös teknik kan strömma musiken trådlöst från Model One BT.

Vi vet att du är ivrig att använda din nya radio, men läs först denna användarhandbok och dessa säkerhetsinstruktioner. Om du har frågor ska du kontakta återförsäljaren eller Tivoli Audio.

Spara förpackningen med allt packmaterial så att du har allt kvar om någonsin skulle behöva skicka radion tillbaka, eftersom transportskada inte omfattas av garantin.

Vi tackar dig för att du valde Tivoli Audio och vi hoppas att trivs med din nya Model One BT-radio.

Om Tivoli Audio

Tivoli Audio grundades av Tom DeVesto i syfte att ge konsumenter lättanvända, elegant utformade, högkvalitativa ljudprodukter. Som VD och chef för forskning och utveckling på sitt tidigare företag, Cambridge SoundWorks*, var Toms ansvarsområde utvecklingen av många av de bästa hemunderhållnings- och multimedieprodukter på marknaden. Han har också varit en del av företagsledningen, med fokus på produktutveckling, både hos Advent och Kloss Video.

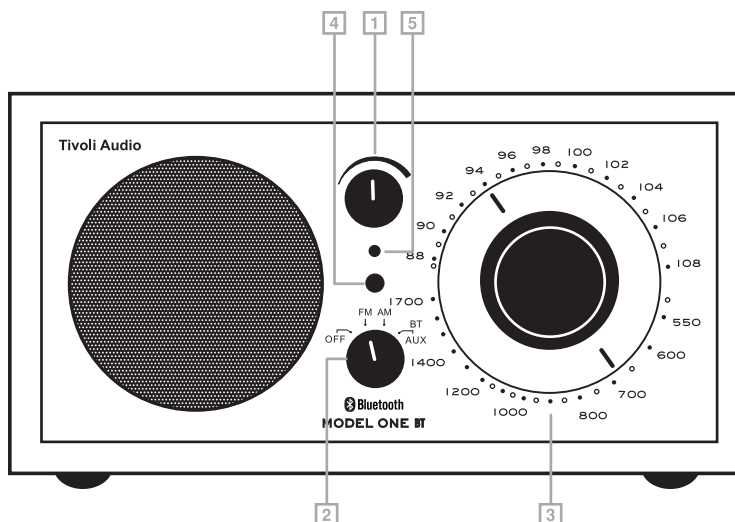
*Cambridge SoundWorks är ett registrerat varumärke som tillhör Creative Labs, Singapore.

Nedanstående artiklar medföljer Model One BT-radion:

- En (1) 2,7 m (9 fot) lång nätsladd
- En (1) FM-ledningsantenn ELLER en (1) ansluten FM-teleskopantenn (beroende på landet)

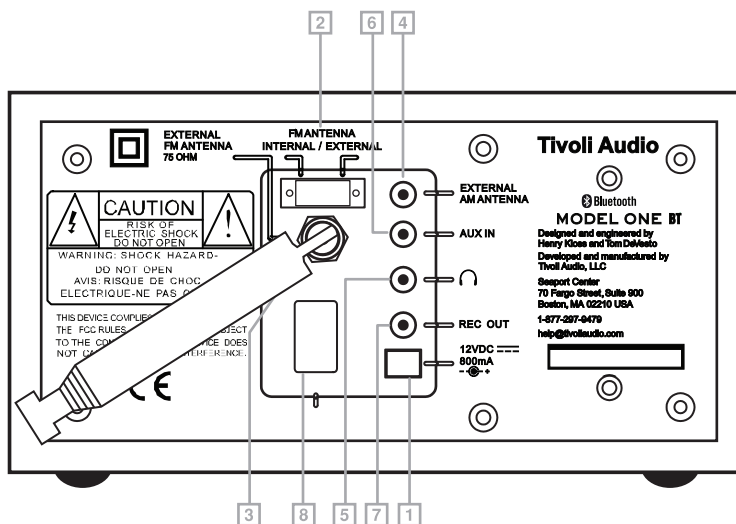
Kontakta återförsäljaren eller Tivoli Audio om någon av dessa artiklar saknas.

Funktioner (Framsida)



1. **VOLYMRATT:** Vrid volymratten till höger för att öka volymen och till vänster för att minska den. Denna ratt reglerar även ljudvolymen till hörlurarna.
2. **RATTEN OFF/FM/AM/AUX:** Vrid ratten ett klick till höger för att höra FM-bandet, två klick till höger för att höra AM-bandet och tre klick till höger för att välja hjälpingången (AUX). För att aktivera *Bluetooth* ska du växla till läge AUX och följa stegen i avsnittet to "Använda *Bluetooth*".
3. **AVSTÄMNINGSRATTEN:** Vrid den analoga avstämningratten till höger eller till vänster för att justera frekvensområdet för FM (övre halvan) eller AM (nedre halvan).
4. **AVSTÄMNINGSSINDIKATOR:** Lyser klarast när den bästa avstämningen har uppnåtts. En del AM-stationer tänd inte avstämningssindikatorn och bör avstämmas manuellt för bästa signal. Lampan kan vara tänd eller släckt i AUX-läget, beroende på AM-skalans läge.
5. **STRÖMINDIKATOR:** Lyser när källratten är något annat läge än Av.

Funktioner (Bakpanelen)



1. **12 VDC/800 mA:** Denna ingång är för användning med en 12 VDC-tillvalsadapter med 1 A-säkring, för användning i båt eller husvagn. Kontaktdonet måste vara 5,5 mm/2,1 mm centerpositivt.
2. **FM-ANTENNBRYTARE:** Växlar mellan intern och extern FM-antenn. Denna brytare påverkar inte AM-mottagningen. I vissa fall kan FM-mottagningen förbättras när man sätter antennbrytaren på External.
3. **EXTERN FM-ANSLUTNING:** När du lyssnar på FM, beroende på ditt land, ska du skjuta den medföljande trådantennen över denna FM-kontakt eller justera teleskopantennen och positionera den för bästa mottagning. På ställen med stark FM-signal, kan mottagningen bli bättre om antennen förkortas. När enheten inte används eller när du lyssnar på AM, håll antennen indragen för att skydda den. Denna antenn påverkar inte AM-mottagningen. För mer information se avsnittet "Mottagning".
4. **EXTERN AM-ANSLUTNING:** I vissa fall kan AM-mottagningen förbättras genom att man ansluter en extern AM-antenn (medföljer ej) till detta uttag, som accepterar en 3,5mm stereo, minihankontakt. För mer information se avsnittet "Mottagning".
5. **HÖRLURAR UT:** Anslut hörlurarna (medföljer ej) till denna variabla stereoutgång för privat lyssnande. Hörlurarna tystar huvudhögtalaren. Du justerar hörlurarnas volym med hjulratten. Denna stereoutgång accepterar en 3,5mm stereo, minihankontakt. Justera inte hörlurarna vid höga ljudnivåer för att undvika risk för hörselskada.
6. **AUX IN:** För att lyssna på ljud från en annan anordning, t.ex. CD-spelare, MP3-spelare eller dator, ska du ansluta nämnda apparats ljudutgång till denna stereoingång och växla källratten på framsidan till Aux. Den anslutna apparaten slås inte på när du växlar till Aux-läge. Denna stereoingång accepterar en 3,5mm stereo, minihankontakt. Höger och vänster stereosignal kombineras till mono. AUX IN-porten är inte tillgänglig när en *Bluetooth*-anordning är ansluten. Du måste först koppla från en *Bluetooth*-enhet innan du kan använda den inbyggda AUX IN-funktionen. OBS! Du måste möjligen justera volymen på ett annat sätt för en hjälpanordning än när du justerar ljudvolymen för att lyssna på radio.

7. **REC OUT:** Du kan spela in från Model One BT-radion genom att ansluta en kassettbandspe- lares ljudingång (eller någon inspelningsanordning) till denna inbyggda stereoutgång. Du kan även använda Model One BT-radio som en högpresterande analog avstämningseenhet genom att ansluta den till ljudingången på en förstärkare eller integrerad förstärkare. Huvudhögtal- aren tystas inte när du använder denna utgång. Denna utgång accepterar en 3,5mm stereo, minihankontakt.
8. **VÄXELSTRÖMSINGÅNG:** Anslut den medföljande nätsladden till denna ingång. När du kopp- lar nätsladden från vägguttaget ska du alltid fatta tag i stickkontakten. Vi rekommenderar en uttagsplint för överspänningsskydd. När du kopplar från nätsladden ska du fatta tag stadigt i kontaktdonet. Dra aldrig i själva sladden. Bunta inte nätsladden ihop med den externa FM- antennen eller ljudkabler, eftersom detta kan injicera brus in i ljudbanan.

Bluetooth

Före parning ska du verifiera att din anordning stödjer *Bluetooth 2.1+EDR A2DP* och att anordning- en inte är ansluten till någon annan *Bluetooth*-produkt. Anordningar kan paras på olika sätt. Nedan följer några allmänna riktlinjer.

1. Sätt Model One BT i läge Aux. Detta slår på *Bluetooth*. Vrid volymen upp till ca 1/4 till att börja med. Du ska även öka volymen på källanordningen (från den anordning som du strömmar).
2. Slå på *Bluetooth*:s trådlösa teknik på din aktiverade anordning.
3. Välj "Tivoli *Bluetooth* (Not Paired)" när meddelandet visas på anordningens skärm för att börja söka. En del enheter kan be dig ange ett PIN-nummer. Om detta är fallet, ange "0000". "Tivoli *Bluetooth*" ändras från "Not Paired" (inte parat) till "Connected" (ansluten)
4. Du hör en rington från Model One BT vilket bekräftar anslutningen och du kan börja spela dina musikfiler trådlöst. Justera volymen på din anordning. Du ska inte behöva para anordningen på nytt. **Beroende på din anordning, måste du möjligen göra flera försök att para och/eller ansluta anordningen till Model One BT, men ge din anordning tillräckligt med tid för parning eller anslutning innan du upprepar processen.**

Parning Av En iPhone/iPod touch/iPad Som Är Aktiverad För Bluetooth-Trådlös Teknik

1. Sätt Model One BT i läge Aux. Detta slår på *Bluetooth*. Vrid volymen upp till ca 1/4 till att börja med. Du ska även öka volymen på källanordningen (från den anordning som du strömmar).
2. Välj "Settings" (inställningar) (beroende på din enhets programversion).
3. Välj "General" (allmänt).
4. Välj "*Bluetooth*".
5. Växla *Bluetooth* till "On" (på) för att börja söka.
6. Välj "Tivoli *Bluetooth* (Not Paired)" när meddelandet visas på skärmen. Om du uppmanas ange ett PIN-nummer, ange "0000". "Tivoli *Bluetooth*" ändras från "Not Paired" (inte parat) till "Con- nected" (ansluten)
7. Du hör en rington från Model One BT och du kan börja spela dina musikfiler trådlöst. Justera volymen på din anordning. Du ska inte behöva para din iPhone/iPod/iPad på nytt.

Musikfilernas ljudvolym ut varierar. Om du föredrar en t.o.m. högre uteffekt, ska du kolla inställningarna på din iPhone/iPod touch/iPad: Gör följande inställningar: EQ Off (av), SoundCheck Off (ljudkontroll av) och Volume limit Off (volymgräns av).

Om du får problem under parningen ska du trycka på den lilla pilen till höger om "Tivoli *Bluetooth*" på skärmen på din iPhone/iPod touch/iPad och välja "Forget this Device" (glöm anordningen) och sedan upprepa parningsprocessen. **Beroende på din anordning, måste du möjligen göra flera försök att para och/eller ansluta anordningen till Model One BT, men ge din anordning tillräckligt med tid för parning eller anslutning innan du upprepar processen.**

När du strömmar musik kan du trycka på den blåa pilen till höger om nästa spårknapp >>/ på skärmen på iPhone/iPod touch/iPad för att alternera mellan iPhone/iPod/iPad och *Bluetooth*.

- Model One BT kan komma ihåg parningsdata för upp till 8 enheter. Ytterligare anordningar kan paras men endast den sist använda enheten ersätts av en nyligen parad enhet.
- Om ljudet försvinner eller stoppar under uppspelningen ska du flytta anordningen närmare Model One BT eller kontrollera att en annan trådlös enhet inte stör signalen.
- När du växlar från *Bluetooth* till AM eller FM, måste du möjligen omjustera (sänka) radions ljudvolym.

Mottagning

De interna FM-och AM-antennerna ger dig god mottagning. Byggnader med ytterväggar av betong, stål eller aluminium påverkar mottagningen. Hushållsutrustning, elektriska värmefiltar, datorer, CD-spelare och annan elektronisk utrustning kan även störa mottagningen eller producera brus. Om detta händer ska du flytta Model One BT-radion längre bort från den störande utrustningen eller ansluta radion till ett eluttag som inte delas med andra enheter. Metalltytor kan även påverka AM-mottagning.

Placering

Placera enheten på ett plant, stabilt underlag. Blockera inte basporten på undersidan. Model One BT-radion är inte avskärmd för video bör hållas på minst 12.7 cm från en datorskärm eller television. Model One BT-radion kan placeras både i vågrätt och lodrätt läge. Placering på bokhylla, i skåp eller nära en vägg eller ett hörn kan påverka basen.

Rengöring

Använd aldrig starka rengörings- eller lösningsmedel på radion. Undvik vax som sprejas på. Dra ut stickkontakten på Model One BT-radion innan du rengör den. Framsidan kan rengöras med en något fuktig, mjuk duk. Garantin ogiltigförklaras om du målar eller betsar apparatlådan av trä.

OBS! Tivoli-apparatlådor byggs av faner. Eftersom naturligt trä varierar i utseende är det inte möjligt att uppnå exakt träfärgs-/fibreriktningssmatchning mellan modeller. Du kan även notera att träet blir mörkare med tiden efter exponering för solljus. Detta är också naturligt för naturligt trä.

Begränsad Garanti

Tivoli Audio tillverkar sina produkter enligt höga standard och vi är säkra på att våra produkter fungerar bra. Därför utfärdar vi åt den ursprungliga ägaren en begränsad garanti på denna produkt mot tillverkningsdefekter i material och utförande. Denna garanti kan inte överföras.

Produkter som köps i den Europeiska unionen och i Norge har en minsta garantiperiod på två år. I länder där den kortaste garantiperioden bestäms i lag, är garantiperioden baserad på gällande lag. I andra länder är garantiperioden ett år.

Denna begränsade garanti omfattar produktens funktionalitet för dess normala, avsedda bruk enligt specifikationerna i denna användarhandbok. Den omfattar inte felfunktion eller skada som resulterar från felaktig eller orimlig användning eller installation, användning av laddare för att ladda alkaliska batterier, defekt hjälputrustning, modifieringar, oauktoriserad reparation, transportskada eller-förlust, vanvård, olyckor, användning av fel spänning/ström, strömstötar, blixn eller force majeure, hög fukt, normalt slitage, kommersiellt bruk eller köp från en icke auktoriserad återförsäljare. Garantiservice måste du eventuellt visa ett inköpskvitto som bevis på att enheten köptes från en auktoriserade återförsäljare. **Kontakta återförsäljaren eller den lokala distributören för garantiservice eller -reparation.**

Öppna eller demontera inte produkten eftersom detta kan leda till att garantin ogiltigförklaras. Produkten har inga invändiga delar som kan repareras av användaren. Tivoli Audio betalar inte ersättning för kostnader som uppstår på grund av åtgärdande av mottagningsproblem, eliminering av externt genererat brus, förlust av tid, olägenhet, förlust av användning av produkten eller skada som uppstått på grund av felaktig användning.

Om produkten returneras under garantiperioden och kvalificeras före service under denna begränsade garanti, ska vi reparera eller byta ut eventuella defekta delar inom en rimlig tid och gratis.

DENNA BEGRÄNSADE GARANTI GER DIG SPECIFIKA LAGLIGA RÄTTIGHETER PÅ VISSA SPECIFICERADE VILLKOR. DU KAN ÄVEN HA ANDRA LAGLIGA RÄTTIGHETER VILKA GÄLLER FÖR PRODUKTEN DU KÖPT. DESSA LAGLIGA RÄTTIGHETER VARIERAR FRÅN LAND TILL LAND. EN DEL LÄNDER TILLÅTER INTE FRISKRIVNINGAR, RESTRIKTIONER ELLER MODIFIERINGAR AV VISSA UNDERFÖRSTÅDDA RÄTTIGHETER OCH DERAS FÖLJDER. I DESSA SITUATIONER GÄLLER DENNA BEGRÄNSADE GARANTI ENDAST I DEN UTSTRÄCKNING SOM MEDGES AV GÄLLANDE LAG.

Lagarna i ditt land kan ge dig rätt till lagliga krav mot försäljaren eller tillverkaren av denna produkt. Denna begränsade garanti påverkar inte dessa rättigheter.

Stipulationerna i den begränsade garantin gäller i stället för alla andra garantier eller villkor, förutom villkor enligt gällande lag. Denna begränsade garanti påverkar inte några lagenliga rättigheter och utgör inget hinder för gottgörelse enligt gällande lag.

I länder där ansvarsbegränsningar inte förbjuds av gällande lag, skall Tivoli Audios maximala ansvar inte överstiga priset du betalde för produkten. I länder där ansvarsbegränsningar inte tillåts av gällande lag, skall Tivoli Audios skyldighet inte överstiga de direkta skadestånden för personskada och/eller egendomsskada som uppstått på grund av Tivoli Audios försumlighet.

När detta inte förbjuds av gällande lag skall Tivoli Audio inte hållas ansvarig för specialskada, tillfällig skada, följdskada eller indirekt skada. En del länder tillåter inte inskränkningar avseende uteslutning eller begränsning av upprättelse, skadestånd för specialsador, tillfälliga skador, följdskador och indirekta skador, eller begränsning av skadeståndsskyldighet till ett visst belopp, så ovanstående begränsningar och uteslutningar gäller eventuellt inte dig.

Denna begränsade garanti ogiltigförklaras om skylten med serienumret har avlägsnats eller förstörts.

Om du köpte ett utökat servicekontrakt från återförsäljaren och service krävs efter det denna begränsade garanti har utgått, skall du kontakta parten som utfärdade det utökade servicekontraktet för att erhålla service.

Du kan registrera din produkt för garantiservice online på vår webbplats www.tivoliaudio.com. Du har inga lagliga krav att ge oss personlig information. Sådan information ger oss emellertid möjlighet att spara information om Tivoli Audio-produkter du köpt och att få närmare insikt om köparna av våra produkter. Denna information insamlas för att användas i marknadsföringssyfte av Tivoli Audio och, där det tillåts, för att kontakta dig avseende produkterna du köpt eller andra produkter som kan vara av intresse för dig från Tivoli Audio och andra företag. Informationen du tillhandahåller kan behandlas i ett annat land.

Specifikationer

Modell: Tivoli Audio® Model One® BT

Typ: AM/FM analog monokopplad bordsradio med *Bluetooth* trådlös teknik

Sändare: En 76,2 mm (3") sändare med full räckvidd

Mått: 21,3 cm B x 11,4 cm H x 13,3 cm D
(8,375" B x 4,5" H x 5,25" D)

Vikt: 1,88 kg (4,14 lbs)

Specifikationerna kan ändras utan föregående varsel.

Tivoli Audio förbehåller sig rätten att göra produktändring utan föregående varsel.

Tivoli Audio, Tivoli Audios logotyp och Model One BT är varumärken som tillhör Tivoli Audio, LLC. *Bluetooth* ordmärket och logotypen är registrerade varumärken som tillhör Bluetooth SIG, Inc. och all användning av sådana märken av Tivoli Audio är under licens. iPod, iPod touch, iPhone och iPad är varumärken som tillhör Apple Inc., registrerade i USA och andra länder. Andra varumärken och handelsnamn tillhör sina respektive ägare.



Tivoli Audio[®]
The Original Radio Company.

Seaport Center
70 Fargo Street, Suite 900
Boston, Massachusetts 02210

T: 617.345.0066
F: 617.428.0088
tivoliaudio.com

DECLARATION OF CONFORMITY

Application of Council Directive(s): EMC Directive 89/336/EEC and 73/72 for CE Marking Standard(s)
to which conformity is declared

EN301-489-17 v2.21 (2012)
EN301-489-1 v1.9.2 (2011)
EN55013A2 (2006)
EN55020 A11 (2011)
EN6100-3-2/A2 (2009)
EN61000-3-3 (2008)

Safety

EN60065(2002)+A1(2002)+IEC60065 Ed7

Energy 2005/32/EC

1275 Standby/Off Energy Usage(2008)

Manufacture/Applicant Name: Tivoli Audio, LLC
Manufacturer's Address: 70 Fargo St., Suite 900, Boston, MA 02210 USA

Type of Equipment: AM/FM Radio w/ Bluetooth

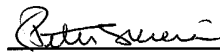
Manufacture's Model Code: M1BT followed by the Color Code, such as M1BTCLA for Classic Walnut

Importers Brand Name: Tivoli Audio Model One BT
Importers Model Code: Same as Manufacturers Code

Year of Manufacture: 2012

I, the undersigned, hereby declare the equipment specified above is manufactured by our company, Tivoli Audio LLC, and confirmed by above Directive(s) and Standard(s).

Date: October 2, 2013


Authorized Signature

Peter Skiera
Authorized Name

Senior Product Manager
Position

TIVOLI AUDIO, LLC



This manual was written by Peter Skiera and cannot be reproduced in whole or in part without the permission of Tivoli Audio. The information included within this owner's manual was accurate at the time of printing. Tivoli Audio shall not be held liable for operational, technical, or editorial errors/omissions.

For more information about other exciting products from Tivoli Audio, please visit our website or contact us directly (in English):

Tivoli Audio, LLC
Seaport Center
70 Fargo Street, Suite 900
Boston, MA 02210 USA
1.877.297.9479 (US only)
1.617.345.0066
www.tivoliaudio.com
help@tivoliaudio.com

M1BTCE101513

Tivoli Audio™