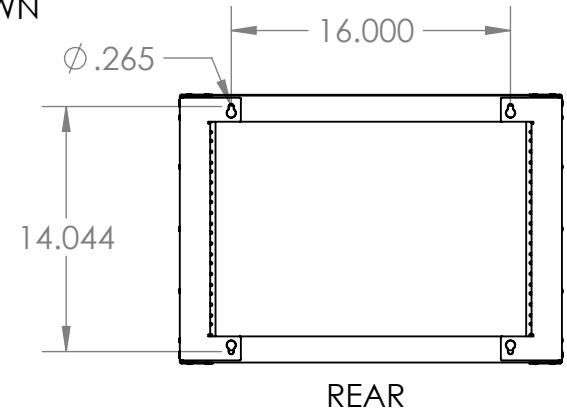
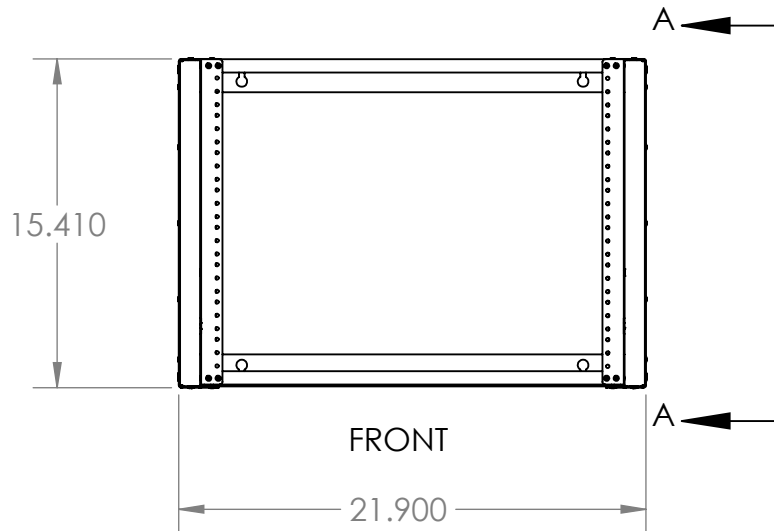


VIEW A-A
SCALE 1 : 9



NOTE:

1. 19" EIA RACK MOUNT COMPLIANT.
2. RAILS ARE THREADED 10-32
3. MAXIMUM COMPONENT DEPTH, WITHOUT CABLING, 12.00".
4. BLACK POWDER COAT.

UNLESS OTHERWISE SPECIFIED:
DIMENSIONS ARE IN INCHES
TOLERANCES:
FRACTIONAL ± 1/8
ANGULAR: BEND ± 1 DEGREE
TWO PLACE DECIMAL ± .03
THREE PLACE DECIMAL ± .01

Surface Area	
MATERIAL	
FINISH	
APPLICATION	DO NOT SCALE DRAWING

WEB PRINT

NEXT ASSY	USED ON
APPLICATION	

PROPRIETARY AND CONFIDENTIAL
THE INFORMATION CONTAINED IN THIS DRAWING IS THE SOLE PROPERTY OF KENDALL HOWARD. ANY REPRODUCTION IN PART OR AS A WHOLE WITHOUT THE WRITTEN PERMISSION OF KENDALL HOWARD IS STRICTLY PROHIBITED.

	NAME	DATE
DRAWN	JL	3/12/2014
CHECKED		
ENG APPR.		
MFG APPR.		
Q.A.		
COMMENTS:		

KENDALL HOWARD

TITLE:
8U PIVOT FRAME WALL MOUNT RACK

SIZE	DWG. NO.	REV
A	1915-3-400-08	-
SCALE: 1:10	WEIGHT: 14.60	SHEET 1 OF 1