

4 Post Rack Assembly Instructions

Step 1

Remove all contents from the box and make sure all of the following parts are accounted for.

Box Contents

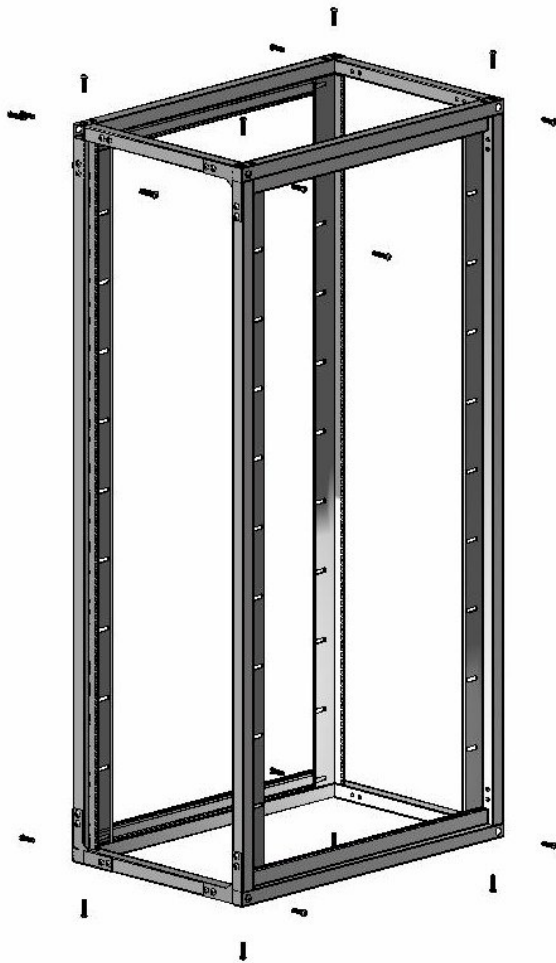
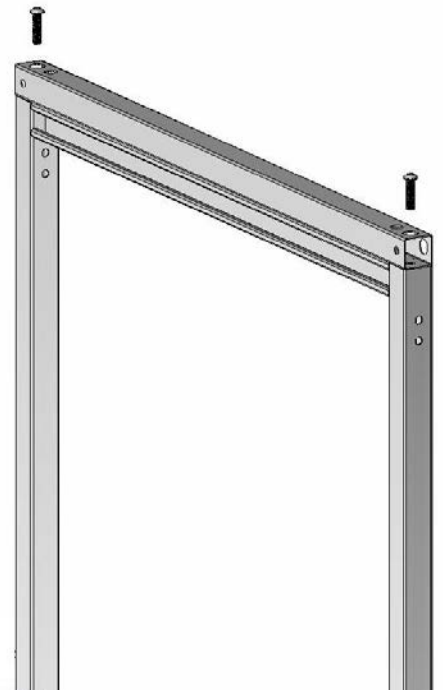
2 Lower Rail Channels
2 Upper Rail Channels
4 Cross Frames
4 Upright Frames
4 Rails
8 Corner Gussets
8 Channel Nuts
8 3/8 X .75 Hex Head Bolts (silver)
32 3/8 X 2 Screws
16 3/8 X 1.5 Screws
32 3/8 Nut

Tools Required

Socket Drive
T-Handle
Wrench

Step 2

Assemble the sides using the 3/8 X 1.5 Bolts. Make sure the holes in all parts line up with the picture on the right. Repeat the steps for the other side. Be careful so that you do not strip the inside of the tube inserts. (THE LOWER RAIL CHANNELS HAVE THE SILVER INSERT IN THEM)

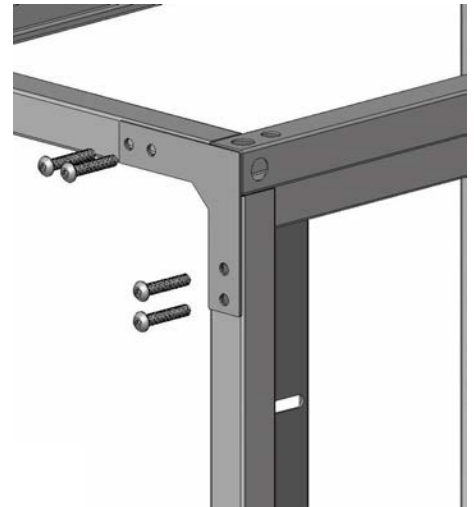


Step 3

Attach the sides with the short cross frame pieces using the 3/8 X 1.5 Bolts. Be careful so that you do not strip the inside of the tube inserts. Make sure when attaching the two sides together that the rail cross frames on the bottom have the insert on the bottom. Not the top. These will be used to screw the levelers into later on.

Step 4

Attach the corner gussets to each corner using the 3/8 X 2 " Bolt and nuts.



Step 5

Attach the plastic hole covers to all open holes

Step 6

Attach rails using the 8 channel nuts and 8 3/8 X .75 silver Bolts.

Step 7

Attach the levelers

