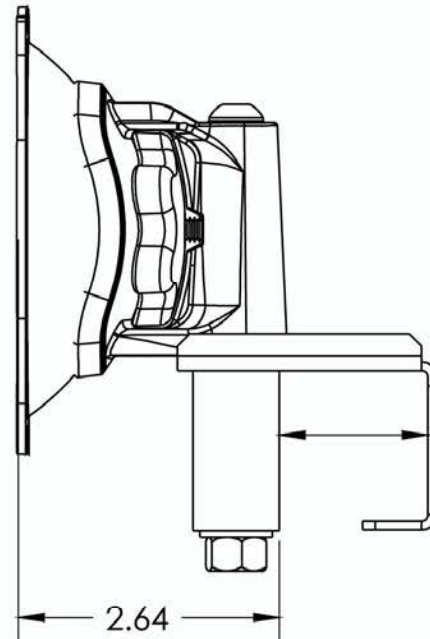


Fits both  
75 & 100mm  
VESA mounting  
patterns



1.50 Fits all  
Kendall Howard  
Accessory Bars  
5200-3-500-XX

**KENDALL HOWARD**  <sup>TM</sup>  
INNOVATORS IN PRODUCT DESIGN

**PROPRIETARY AND CONFIDENTIAL**

THE INFORMATION CONTAINED IN THIS DRAWING IS THE SOLE PROPERTY OF KENDALL HOWARD LLC. ANY REPRODUCTION IN PART OR AS A WHOLE WITHOUT THE WRITTEN PERMISSION OF KENDALL HOWARD LLC IS STRICTLY PROHIBITED. THE PRODUCTS SHOWN AND DESCRIBED IN THIS DRAWING ARE THE INTELLECTUAL PROPERTY OF KENDALL HOWARD LLC. THEY MAY BE PROTECTED BY TRADE SECRETS, PATENTS, TRADEMARKS, COPYRIGHT LAWS, OR A COMBINATION OF SOME OR ALL OF THESE LAWS. COPYRIGHT 2010 KENDALL HOWARD LLC.

	NAME	DATE
DRAWN	krh	
CHECKED	mjj	10/26/2010
ENG APPR.		
MFG APPR.		

TITLE: Performance LCD  
Monitor Mount

SIZE	DWG. NO.	REV
<b>A</b>	5200-3-510-00-WP	

UNLESS OTHERWISE SPECIFIED:  
DIMENSIONS ARE IN INCHES  
DO NOT SCALE DRAWING

SCALE: 1:2

SHEET 1 OF 1