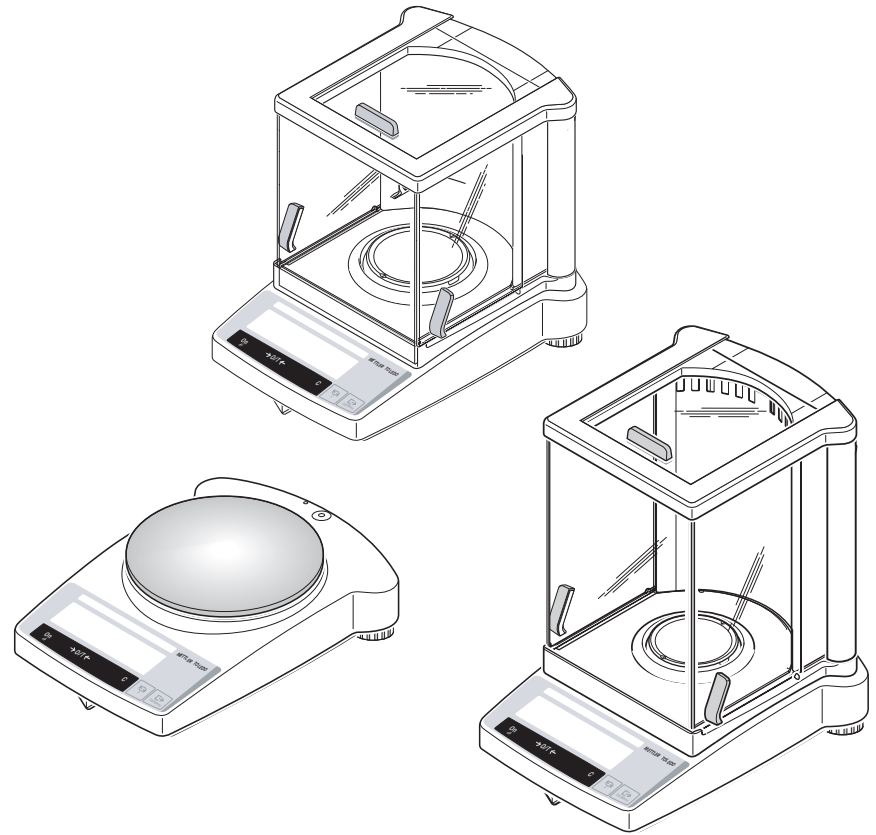


Operating instructions

METTLER TOLEDO B-S line of balances

- AB-S
- PB-S



METTLER TOLEDO

www.mt.com/support

Operating instructions in a nutshell



Press key **briefly**



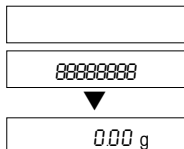
Press and **hold key down** until the desired display appears



automatic sequence

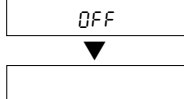
Switching on

On

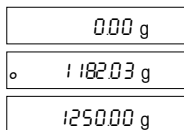


Switching off

Off



Simple weighing



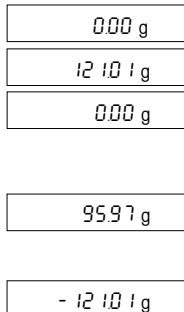
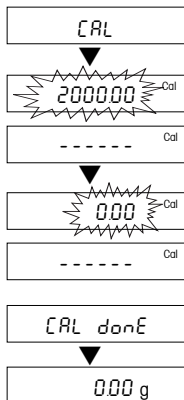
Adjusting (calibration) external

Note: Various models (AB-S, certified balances) have an internal adjustment weight

Cal/Menu



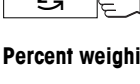
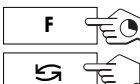
Taring



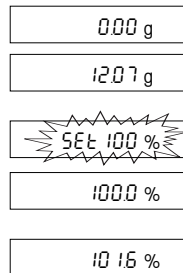
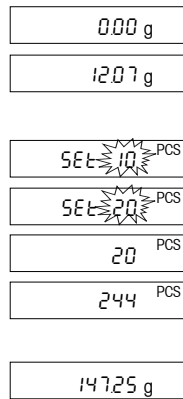
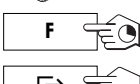
Piece counting*



→0/T←



Percent weighing*

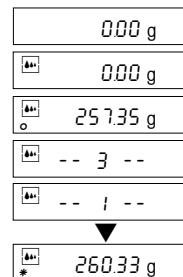
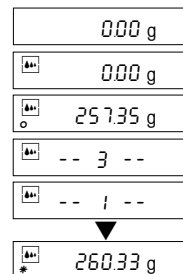


Dynamic weighing*

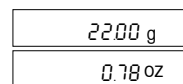
Automatic start (Dyn A)



Manual start (Dyn M)



Unit switching*



*These functions must be activated in the menu (section 4.3.3)

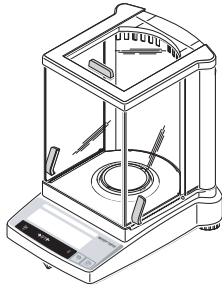
Contents

1	Getting to know B-S balances	4	5	Functions	24
1.1	Introducing the B-S line of balances	4	5.1	Piece counting	24
1.2	Layout of B-S balances	5	5.2	Percent weighing	25
1.3	Overview of key functions	6	5.3	Dynamic weighing	26
2	Startup	7	5.4	Switching weight units	28
2.1	Unpacking / standard equipment	7	6	Technical data, optional equipment	29
2.2	Cautionary notes	7	6.1	Technical data	29
2.3	Installing the draft shield	8	6.2	Interface	31
2.4	Setting up, leveling, preparations for weighing below the balance, connecting to power supply	9	6.3	MT-SICS Interface commands and functions	32
2.5	Adjusting (calibration)	11	6.4	Optional equipment	34
3	Weighing	13	6.5	Dimensional drawings	35
3.1	On/off switching	13	7	Appendix	36
3.2	Simple weighing	13	7.1	Typical printouts from METTLER TOLEDO RS-P42 and LC-P45 printers	36
3.3	Taring	14	7.2	What if ...?	37
3.4	METTLER TOLEDO DeltaRange balances	15	7.3	Connecting B-S balances to other METTLER TOLEDO devices	38
4	Menu	16	7.4	Maintenance and cleaning	38
4.1	Overview	16			
4.2	Menu operation	17			
4.3	Description of menu options	18			

1 Getting to know B-S balances

1.1 Introducing the B-S line of balances

AB-S (0.1 mg / 0.01 mg)



Several types of construction – uniform operation

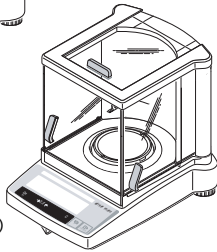
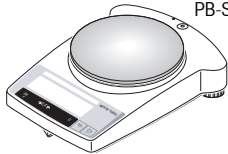
- The B-S balance line ranges from high-resolution analytical balances (AB-S) with a readability of 0.1 mg / 0.01 mg through to precision balances (PB-S) with a readability of 0.001 g to 1 g. The weighing ranges extend from 51 g to 8.1 kg.
- The operation of all these balances is identical.

Balance features

- In addition to basic weighing operations such as **weighing**, **taring** and **adjusting** (calibration) the functions **"Piece counting"**, **"Percent weighing"** or **"Dynamic weighing"** (automatic or manual start) can be activated.
- METTLER TOLEDO **DualRange** balances have two ranges. These models also have a fine (semimicro) range from 0 to 31 g respectively 61 g. In this fine range the balance shows the result with a higher resolution, i.e. with one decimal place more.
- METTLER TOLEDO **DeltaRange** balances also have a movable fine range, with 10 times smaller display increments, over the entire weighing range.
- Several B-S balances are fitted with a glass draft shield in the factory; with other models a **draft shield** is available as an **optional extra**.
- All balances in the B-S range are fitted with an **RS232C interface** as standard.
- AB-S and PB-S (up to 0.01 g) models and certified balances have an **internal adjustment weight**.

PB-S

PB-S (0.01 g/0.1 g/1 g)



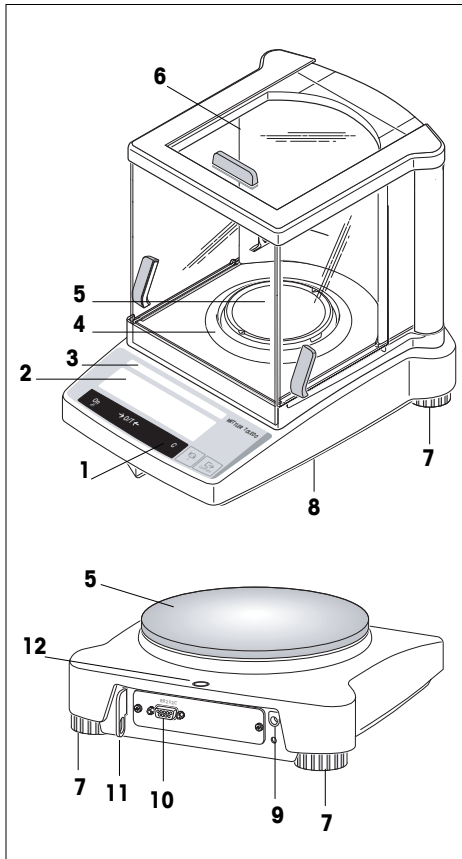
PB-S (0.001 g)

Notes

All B-S balances are available as certified versions. Please ask your METTLER TOLEDO dealer for details.

If you wish to build on what you have learned about weighing in these operating instructions, you will find valuable tips in booklet 720906 "Weighing the right way".

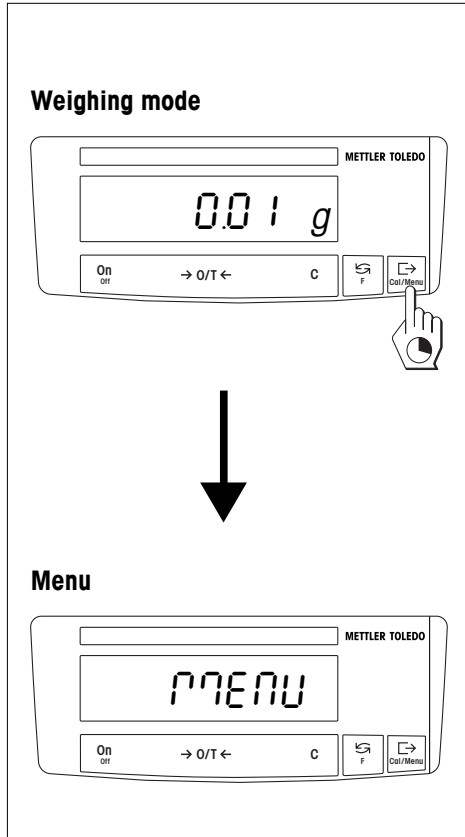
1.2 Layout of B-S balances



- 1 Keys
- 2 Display with backlight (except ABxx5-S)
- 3 Model plate with the following data:
 - “Max”: maximum capacity
 - “d”: readability
 - “Min”: minimum capacity (recommended minimum load; **only relevant for certified balances**)
 - “e”: verification scale interval (smallest display increment tested during certification; **only relevant for certified balances**)
- 4 Draft shield element
- 5 Weighing pan
- 6 Draft shield (standard supply with models AB-S and PBxx3-S)
- 7 Leveling feet
- 8 Hanger opening for weighing below the balance (underside of balance)
- 9 AC adapter socket
- 10 RS232C interface
- 11 Lug for optional antitheft device
- 12 Leveling control

Housing, keys and display are identical for all B-S balances.

1.3 Overview of key functions



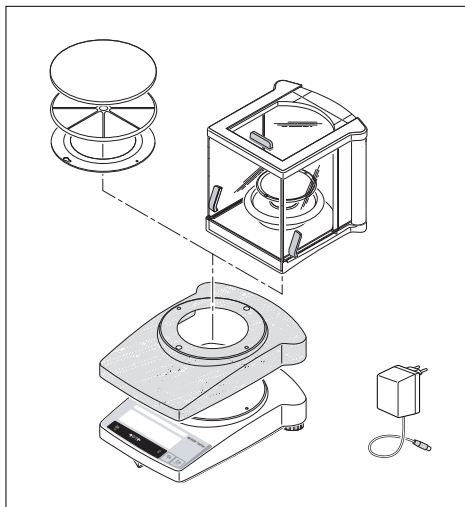
The balances have two operator control levels: the **weighing mode** and the **menu**. The function of each individual key depends on the operator control level and how long the key is pressed.

Key functions in weighing mode	
Press briefly	Press and hold down
On <ul style="list-style-type: none"> Switch on →0/T← <ul style="list-style-type: none"> Zero/tare C <ul style="list-style-type: none"> Cancel function 	Off <ul style="list-style-type: none"> Switch off balance (standby mode)
<ul style="list-style-type: none"> Switch Change settings 	F <ul style="list-style-type: none"> Call function A function must be activated in the menu, otherwise "F nonE" appears in the display
<ul style="list-style-type: none"> Transfer weighing data via interface Confirm settings 	Cal/Menu <ul style="list-style-type: none"> Adjust (calibrate) Show menu (hold key down until MENU appears)

Key functions in menu mode	
Press briefly	Press and hold down
C <ul style="list-style-type: none"> Close menu (without saving changes) 	-----
<ul style="list-style-type: none"> Change settings 	-----
<ul style="list-style-type: none"> Select menu options 	Cal/Menu <ul style="list-style-type: none"> Save changes and close menu

2 Startup

2.1 Unpacking / standard equipment



All B-S balances are supplied in environmentally compatible packaging. The standard equipment for every balance comprises:

- **AC adapter**, to national codes
- **AC adapter with country-specific power cable** (Models AB135-S / AB265-S)
- **Weighing pan with pan support or draft shield element**
- **Transparent plastic protective cover**, fitted, to keep your balance clean at all times
- **Retaining ring for protective cover**, fitted, only on balances without draft shield
- **Draft shield**, standard supply for models AB-S and PBxx3-S (for other models a draft shield is available as an optional extra) (see Section 6.4 Optional equipment)
- **Operating instructions**, to ensure optimum utilization of your balance's capabilities
- **CE declaration of conformity** (in separate brochure 11780294)

2.2 Cautionary notes



- B-S balances must **not** be operated in **hazardous areas** with the standard-supply AC adapter.
- Before connecting the AC adapter, verify that the voltage printed on it corresponds to the local mains voltage. If this is not the case, please contact your local METTLER TOLEDO dealer.
- B-S balances may only be used indoors in a dry environment.
- For use with an certified (CSA or equivalent) power supply, which must have a limited and SELV circuit output.

2.3 Installing the draft shield



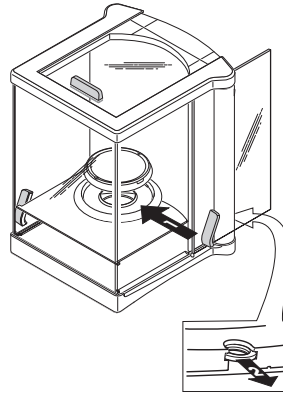
Draft shield "0.1 mg" (237 mm):



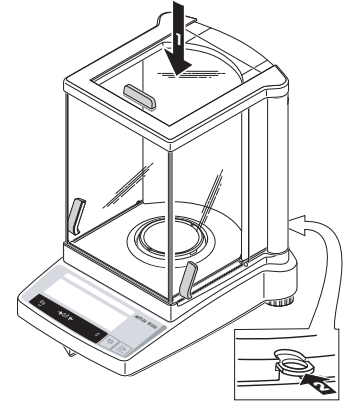
ABxx5-S



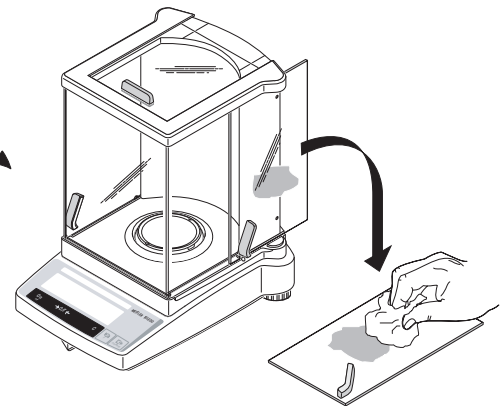
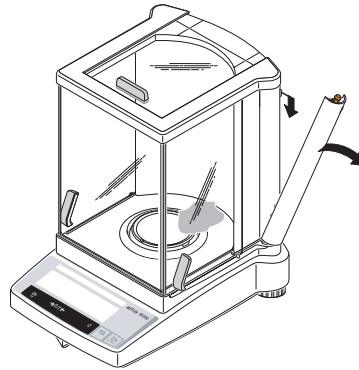
1



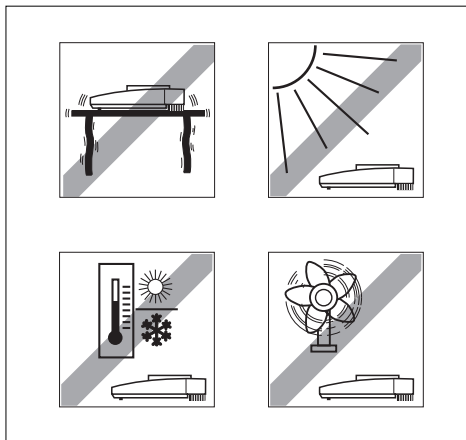
2



i



2.4 Setting up, leveling, preparations for weighing below the balance, connecting to power supply



The optimum location

The correct location makes an important contribution to the accuracy of the weighing results of high-resolution analytical and precision balances.

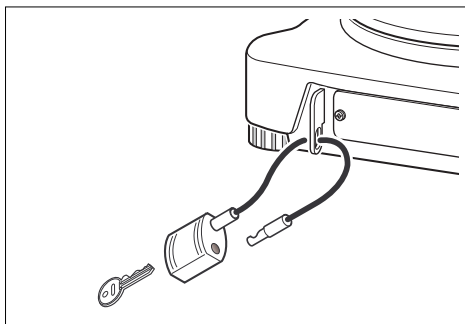
Hence, ensure a

- stable, vibration-free position as horizontal as possible

Avoid

- direct sunlight
- excessive temperature fluctuations
- drafts

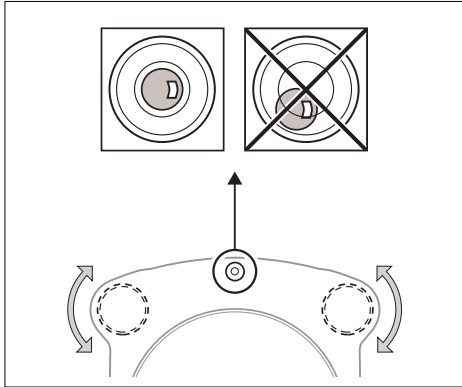
The best location is on a stable bench in a corner protected against drafts, as far away as possible from doors, windows, radiators or the louvers of air conditioners.



Anti-theft device

B-S balances are equipped with a lug for the optional anti-theft device.

The anti-theft device (cable with lock) is suitable for all models. It is available from METTLER TOLEDO under the order number 590101.



Leveling

B-S balances have a spirit level and two adjustable leveling feet to compensate for slight irregularities in the surface of the weighing bench. The balance is exactly horizontal when the air bubble is in the middle of the level glass.

Procedure

Adjust the two leveling feet appropriately until the air bubble comes to rest exactly in the middle of the glass:

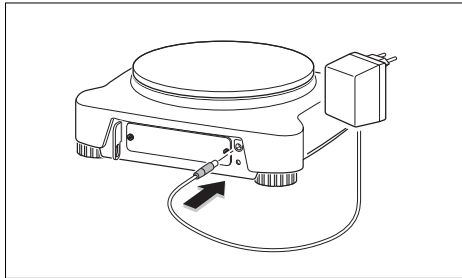
Air bubble at "12 o'clock"	turn both feet counterclockwise
Air bubble at "3 o'clock"	turn left foot clockwise, right foot counterclockwise
Air bubble at "6 o'clock"	turn both feet clockwise
Air bubble at "9 o'clock"	turn left foot counterclockwise, right foot clockwise

Note

The balance should be leveled and adjusted (Section 2.5) each time it is moved to a new location.

Preparations for weighing below the balance

To carry out weighing operations below the balance, the special cover on the underside of the balance must be slackened (care: when doing this the balance may only be laid on its side, not turned upside down!), turned through 180° and retightened. This exposes the opening for the hanger, making weighing below the balance possible.



Connecting the power supply

- Before connecting the AC adapter, check that the voltage printed on it corresponds to the local mains voltage. If this is not the case, please contact your local METTLER TOLEDO dealer.
- Plug the AC adapter into the AC adapter socket on the balance, and connect to the power supply.
- The balance performs a self-test. This test is finished when "OFF" appears.
- Press the «On» key briefly: the balance is in operational readiness. Before any work is performed with the balance, it must be adjusted (Section 2.5).

Notes

To achieve accurate results with analytical balances (AB-S), these must be connected to the power supply for at least 60 minutes to warm up to operating temperature before the first weighing operation is carried out. An optional AccuPac B-S (rechargeable external battery) can be used to operate all B-S balances independently of the mains power supply.

2.5 Adjusting (calibration)

To obtain accurate weighing results, the balance must be adjusted to match the gravitational acceleration at its location.

Adjusting is necessary

- before the balance is used for the first time
- at regular intervals during weighing service
- after a change of location

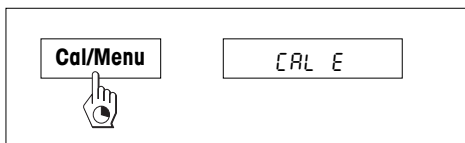
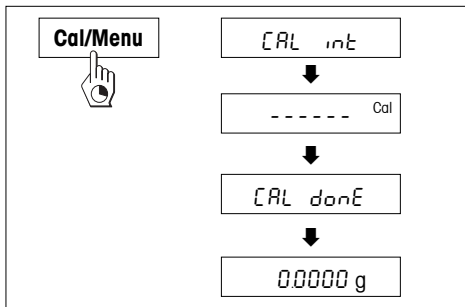
Procedure

To obtain accurate results, the balance must be connected to the power supply for 30 minutes (AB-S analytical balances 60 minutes) in order to reach operating temperature before adjusting.

Analytical balances (AB-S), Precision balances (PB-S up to 0.01 g) and all certified models

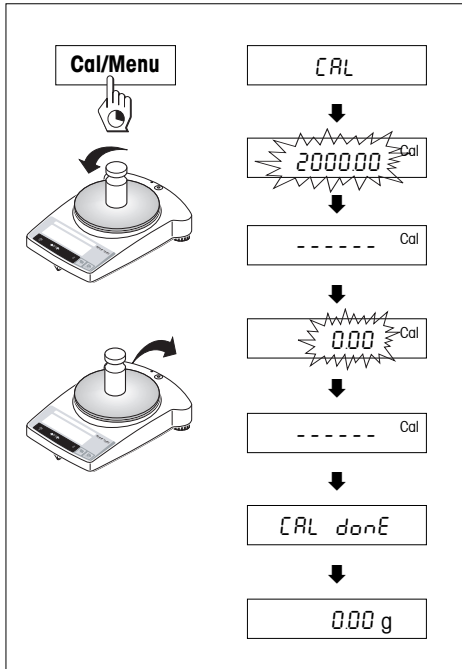
Adjusting with internal weight

- To carry out this operation, in the second menu option (Adjustment) select "CAL int" (=factory setting) (Section 4.1).
- Unload weighing pan
- Press and hold the «**Cal/Menu**» key down until "CAL" appears in the display, then release key.
- The balance adjusts itself automatically.
The adjusting is finished when the message "CAL done" appears briefly in the display, followed by "0.0000 g". The balance is again in weighing mode and ready for operation.



Adjusting with external weight

- To carry out this operation, in the second menu option (Adjustment) select "CAL E" (=factory setting) (Section 4.1).
- Then proceed as for precision balances.



Precision balances (PB-S) without internal weight

- Have required adjustment weight ready
- Unload weighing pan
- Press and hold the «**Cal/Menu**» key down until "CAL" appears in the display, then release key. The required adjustment weight value flashes in the display.
- Place adjustment weight in center of pan. The balance adjusts itself automatically.
- When "0.00 g" flashes, remove adjustment weight. The adjusting is finished when the message "CAL done" appears briefly in the display, followed by "0.00 g". The balance is again in weighing mode and ready for operation.

AB-S and PB-S certified models

All AB-S and PB-S certified models have an internal adjustment weight and adjust themselves automatically:
 AB-S: 2 times within 2 hours of connection to the power supply, thereafter periodically.
 PB-S: On connection to the power supply, thereafter periodically.

For the **certified AB-S and PB-S models**, manual adjustment with the internal weight can also be done at a keystroke. To obtain best possible results, it is advisable to adjust these balances regularly (for procedure, see Adjustment Using Internal Weight).

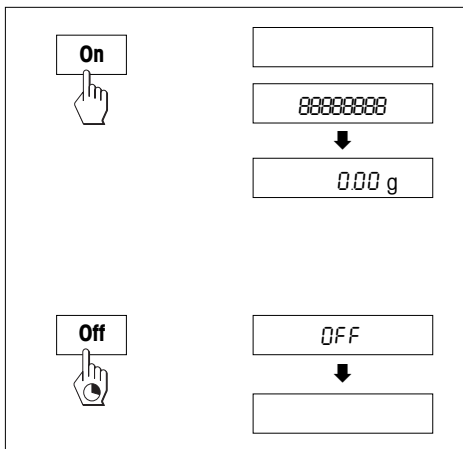
Because of certification legislation, the **certified models** cannot be adjusted with an external weight.

Notes

The adjustment procedure can be terminated at any time with the «**C**» key. The message "Abort" appears briefly to confirm that adjustment has been canceled, and the balance reverts to weighing mode.

3 Weighing

3.1 On/off switching



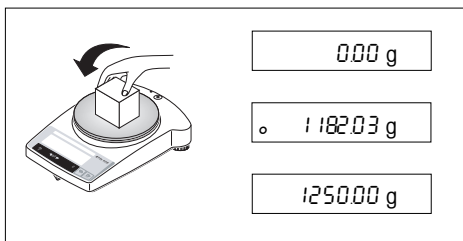
Switching on

- Remove any load from weighing pan and press «**On**» key briefly.
The balance performs a display test (all segments in the display light up briefly).
When zero is displayed, the balance is ready for operation.

Switching off

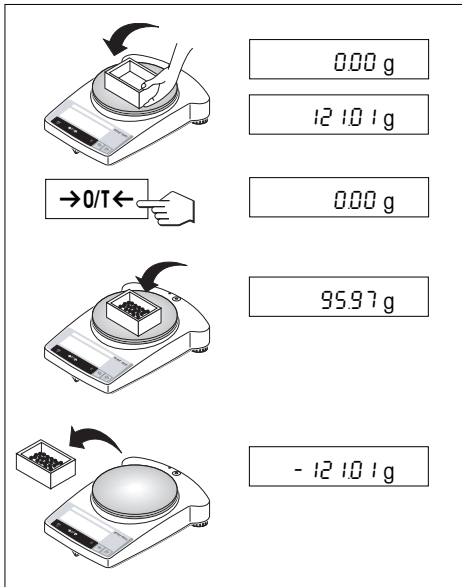
- Press and hold the «**Off**» key down until "OFF" appears in the display. Release the key.

3.2 Simple weighing



- Place weighing sample on the weighing pan.
- Wait until the stability detector "o" disappears.
- Read the result.

3.3 Taring



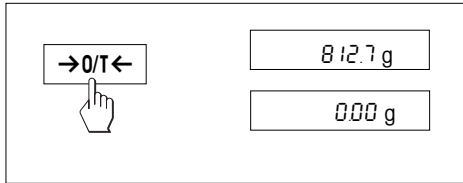
- Place empty container on the balance.
- The weight is displayed.
- Tare: press the « $\rightarrow 0/T \leftarrow$ » key briefly.
- Add weighing sample to container. The net weight is now displayed.

If the container is removed from the balance, the tare weight will be shown as a negative value.
The tare weight remains stored until the « $\rightarrow 0/T \leftarrow$ » key is pressed again or the balance is switched off.

Note

With METTLER TOLEDO DeltaRange balances (next Section), the fine range with its 10 times smaller display increments is available again after every taring operation.

3.4 METTLER TOLEDO DeltaRange balances



METTLER TOLEDO **DeltaRange balances** have a movable fine range with 10 times smaller display increments over their entire weighing range. In this fine range an additional decimal place always appears in the display.

The balance operates in the fine range

- after switching on
- after every taring operation

If the fine range is exceeded, the balance display automatically switches to coarser display increments.

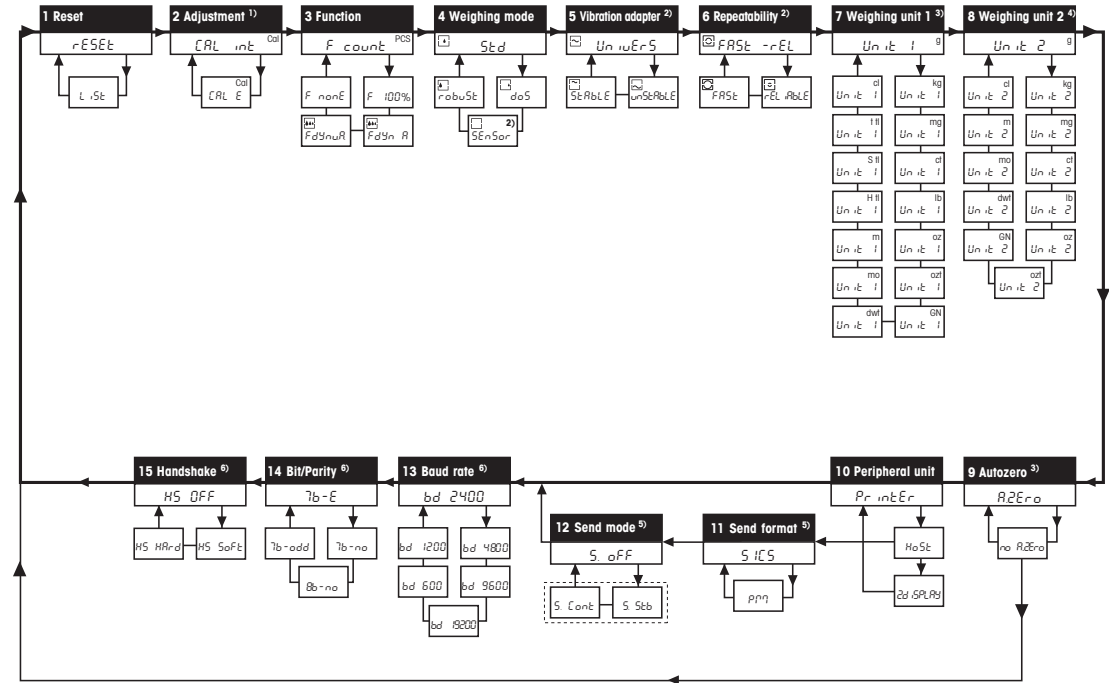
4 Menu

4.1 Overview

In the menu you can change the weighing unit (for certified balances, only if the national certification law allows), select additional functions and carry out various settings. A description of the individual menu options is given in Section 4.3.

Notes

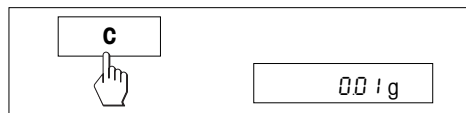
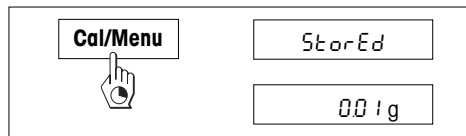
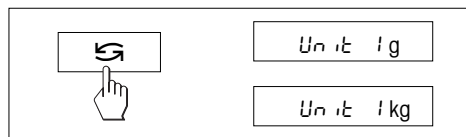
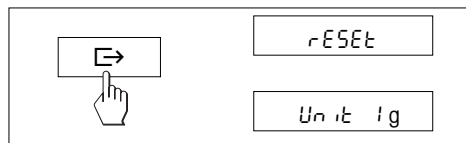
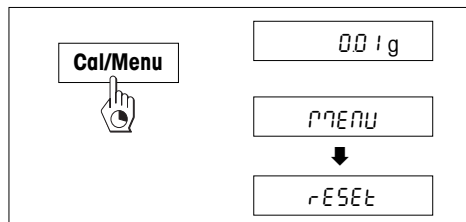
- 1) This menu option is only available on models with internal adjustment weight.
- 2) This menu option is only available on AB135-S and AB265-S models.
- 3) With certified balances, this menu option has a fixed setting and cannot be changed.
- 4) With certified balances, only those weighing units allowed by the appropriate national weights and measures legislation may be selected.
- 5) This menu option is only shown if "Host" has been selected in menu option 10 (Peripheral unit).
- 6) These menu options are only shown if "Host" or "Printer" has been selected in menu option 10 (Peripheral unit).



Menu option

Factory setting

4.2 Menu operation



Opening the menu

In weighing mode, press and hold down the «**Cal/Menu**» key until "MENU" appears in the display. Release the key: the 1st menu option is displayed.

Select menu options

The «**→**» key is used to select individual menu options with their current settings one after the other.

Change settings

The «**↻**» key is used to change the setting at the selected menu option. Every time the key is pressed, the next setting is displayed. Once the desired setting appears in the display, the next menu option can be selected (see above) or you can close the menu (see following sections).

Saving settings and closing the menu

Hold the «**Cal/Menu**» key down until "StorEd" appears in the display. Release the key and the balance reverts to weighing mode. All changes are saved.

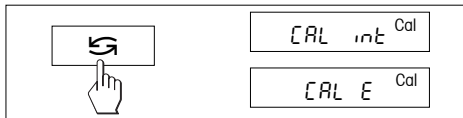
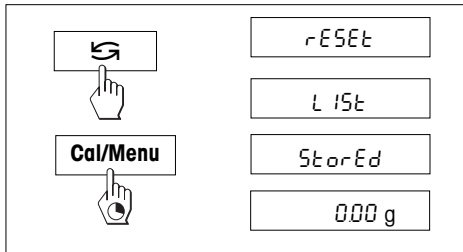
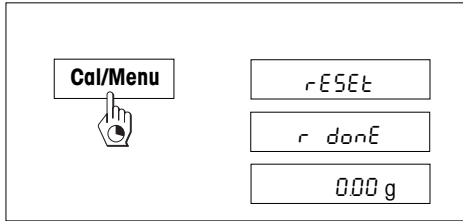
Abort

Press the «**C**» key briefly. The balance reverts to weighing mode. Changes are not saved.

Note

If no entry is made within 45 seconds, the balance reverts to weighing mode. Changes are not saved.

4.3 Description of menu options



4.3.1 Reset or recording of balance settings (1st menu option "RESET")

Reset balance settings

- Select "Reset", press and hold down the «**Cal/Menu**» key until the message "r donE" confirms that all menu settings have been reset. The balance then reverts to weighing mode and works with the **factory settings** (Section 4.1).

Recording balance settings

- Select "List" and hold down the «**Cal/Menu**» key until the message "StorEd" is displayed.

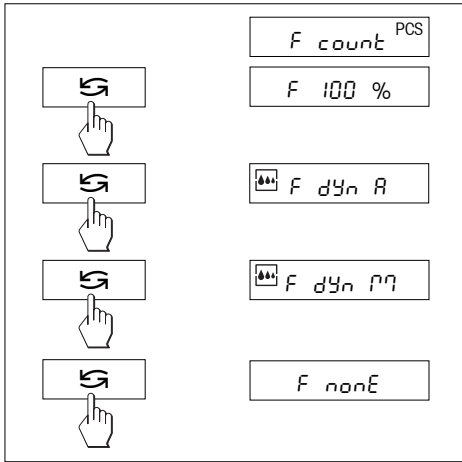
The current balance settings are transmitted to the peripheral device connected to the optional interface. To do this the setting "Printer" must always be selected at the 8th menu option (Peripheral unit). The current balance settings are saved at the same time.

4.3.2 Adjustment (2nd menu option)

This menu item is only on AB-S models available. Under this menu item you can select whether you wish to adjust the balance using the internal or the external adjustment weight.

Adjusting with internal adjustment weight

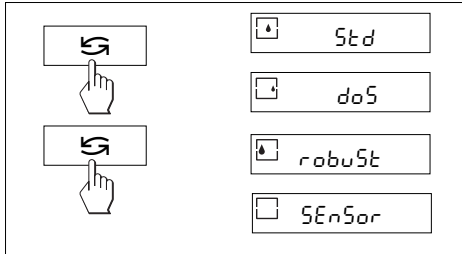
Adjusting with external adjustment weight



4.3.3 Functions (3rd menu option / Operating Section 5)

In addition to simple weighing, the following functions can be selected:

- F count Piece counting
- F 100 % Percent weighing
- F dYn A Dynamic weighing with automatic start
- F dYn M Dynamic weighing with manual start
- F nonE No function, simple weighing (factory setting)

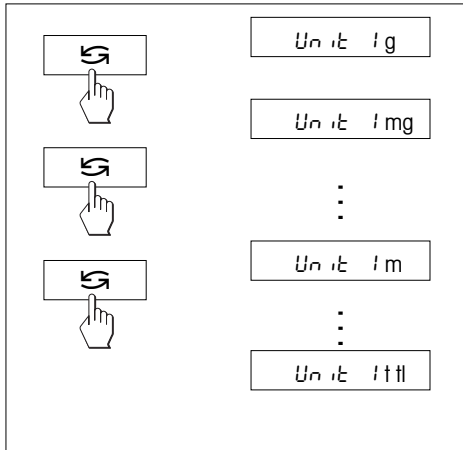
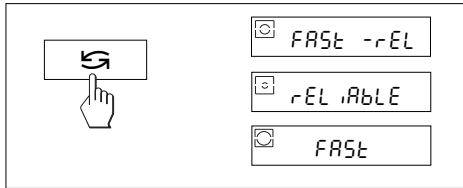
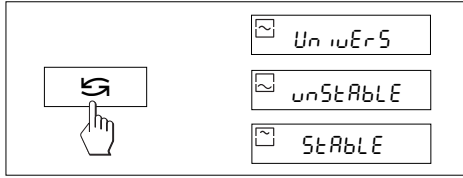


4.3.4 Weighing mode (4th menu option)

This setting allows you to adapt the balance to the weighing mode. Select "Std" (standard) for all normal weighing processes or "doS" (dispensing) for dispensing liquid or powdery weighing samples. In this setting, the balance responds very quickly to smallest weight changes.

When set to "robuSt" (absolute weighing), the balance responds only to greater weight changes, and the weighing result is very stable.

When set to "SEnSor", the balance delivers a raw, unfiltered weighing signal, and is only suitable for special applications. (Only available on AB135-S/AB265-S models).



4.3.5 Vibration adapter (5th menu option)

The vibration adapter can be used to match your balance to the ambient conditions (vibrations, drafts at location). If you work in surroundings which are practically free from temperature fluctuations, drafts, and vibrations, select "StAbLE". On the other hand, if you work in surroundings where the conditions are constantly changing, select "unStAbLE". For normal ambient conditions, select "UnivErS" (Standard). This is the factory setting.

4.3.6 Measurement release (Repeatability) (6th menu option) (Only on AB135-S/AB265-S models)


You can use this setting to specify how rapidly the balance considers the measurement value to be stable and releases it. The "FAST" setting is recommended if you require rapid results and their repeatability is of secondary importance. The "rELiAbLE" setting gives very good repeatability of the measurement results, but lengthens the stabilization time. When the balance is set to "FAST -rELiAbLE" (fast and reliable), the weight display is quickly released as stable, and gives good repeatability. This is the factory setting.

4.3.7 Weighing unit 1 (7th menu option "UNIT 1")

Depending on requirements, the balance can operate with the following units (possible with certified balances only if permitted by national weights and measures legislation):

Unit	Conversion factor	Comments
g	gram	factory setting
kg	kilogram	not with 0.01 mg and 1 mg balances
mg	milligram	with 0.1 mg and 1 mg balances
ct	carat	
lb	pound	
oz	ounce	
ozt	troy ounce	
GN	grain	
dwt	pennyweight	
mo	momme	
m	Mesghal	
H tl	Hong Kong taels	
S tl	Singapore taels	
t tl	Taiwan taels	
cl	tical	

4.3.8 Weighing unit 2 (8th menu option "UNIT 2")

If it is required to show the weighing results in weighing mode in an additional unit by pressing the «» key, the desired second weighing unit can be selected in this menu option. The same weighing units are available as under "UNIT 1", with the exception of the tael units ("H tl", "S tl" and "t tl").

4.3.9 Autozero (9th menu option)

This menu option allows you to switch the automatic zero correction on or off. When it is switched on, the zero point is automatically corrected for drift or contamination of the weighing pan.

The following settings are available:

Autozero switched on

The zero point is automatically corrected.

Autozero switched off

The zero point is not automatically corrected. This setting is advantageous for special applications (e.g. evaporation measurements).

Note

With certified balances, this setting is possible only with a resolution of $e = 10d$.

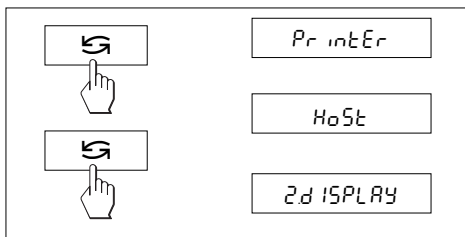
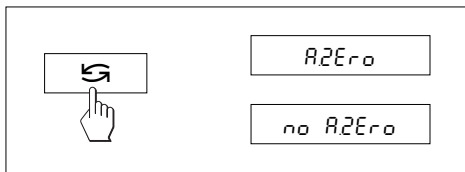
4.3.10 Peripheral unit (10th menu option)

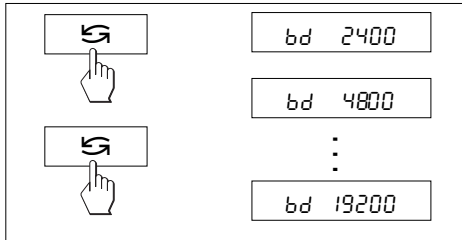
At this menu option you can select the peripheral device connected to the optional RS232C interface. The balance automatically saves the appropriate settings (Section 4.3.11 – 4.3.15) for every peripheral device.

Printer Connected to a printer.

Host Connection to any desired peripheral device.

Aux. display Connection of an optional auxiliary display unit (communications parameters cannot be selected).





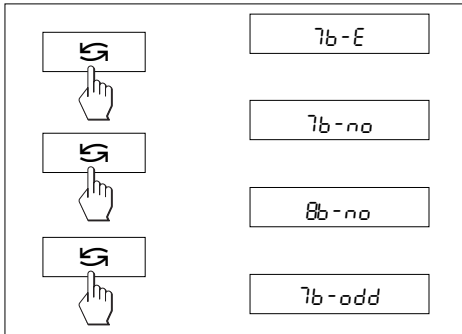
4.3.13 Baud rate (13th menu option)

Note: This menu option is only available if you have selected the setting “Host” in the 10th menu option (Peripheral unit)!

The baud rate (data transfer rate) determines the speed of transmission via the serial interface. The unit is the baud (bd) = 1 bit/second.

The following settings are available: 600 bd, 1200 bd, 2400 bd, 4800 bd, 9600 bd and 19200 bd.

For problem-free data transmission the sending and receiving devices must be set at the same value.



4.3.14 Bit/Parity (14th menu option)

Note: This menu option is only available if you have selected the setting “Host” in the 10th menu option (Peripheral unit)!

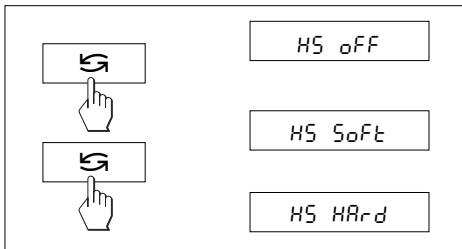
At this menu option you can set the character format for the attached peripheral device.

7b-E 7 data bits/even parity

7b-no 7 data bits/no parity

8b-no 8 data bits/no parity

7b-odd 7 data bits/odd parity



4.3.15 Handshake (15th menu option)

Note: This menu option is only available if you have selected the setting “Host” in the 10th menu option (Peripheral unit)!

This menu option allows you to match the data transmission to different serial receivers.

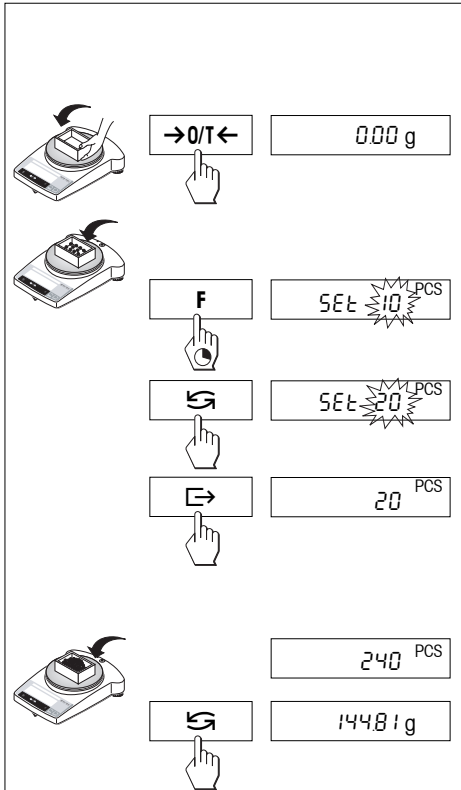
HS oFF No handshake

HS SoFt Software handshake (XON/XOFF)

HS HArD Hardware handshake (DTR/CTS)

5 Functions

5.1 Piece counting



Requirement

The function "F count" must be activated in the menu (Section 4).

→ Place empty container on the balance and tare by briefly pressing the «**→0/T←**» key.

Setting the reference: a reference weight must first be entered for piece counting:

→ Add a number of reference pieces to container. Possible numbers* are 5, 10, 20, 50, 100 and "no" (this setting deactivates the piece counting function). ***approved balances** min 10

Caution: Take into account minimum values: min. reference weight = 10d (10 digits), min. piece weight* = 1d (1 digit)! ***approved balances** min 3e

Note: 1 digit corresponds to 1 display increment.

→ Hold the «**F**» key down until "SEt ... PCS" is displayed.

→ Repeatedly press the «**↺**» key until the display equals the number of reference pieces entered.

→ Confirm the number of reference pieces with the «**→**» key (or wait 7 seconds, in which case the number is adopted automatically). The current number of pieces (PCS = pieces) is displayed.

Note: The current reference weight remains stored until the reference setting is changed or the power supply is interrupted.

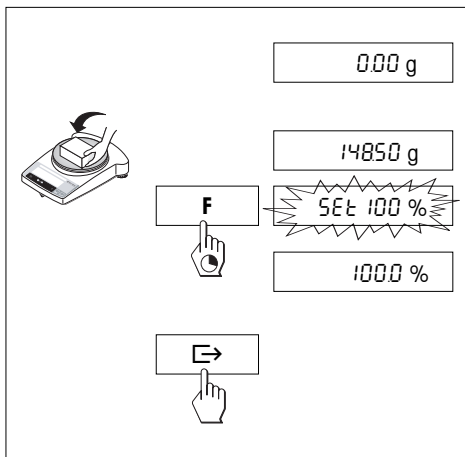
Switching between piece count and weight display

→ Add weighing sample to the container and read off number of pieces.

→ Press the «**↺**» key. The weight is displayed.

→ Return to the piece count display by pressing the «**↺**» key again.

5.2 Percent weighing



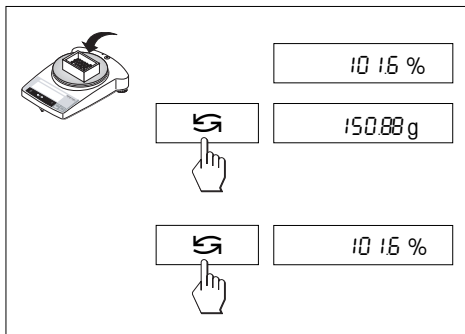
Requirement

The function "F 100 %" must be activated in the menu (Section 4).

Set target weight

- Target weight (Reference weight, which corresponds to 100 %) in center of pan.
- Hold the «F» key down until "SEt 100 %" is displayed.
- Press the «E» key to select "SEt 100 %" or "SEt no %" (Percent weighing deactivated).
- The «E» key can be used briefly to confirm or automatic acceptance after 7 seconds. The target weight is specified.

Note: The current target weight remains stored until a new target weight is set or the power supply is interrupted.



Percent weighing / switching

- Place weighing sample in center of pan.
The weight of the sample is displayed as a percentage of the target weight.
- Press the «E» key, The weight is displayed. (Unit 1 and and Unit 2, if activated).
- Return to display in percent: pressing the «E» key again.

5.3 Dynamic weighing

Dynamic weighing is suitable for the weighing of unstable weighing samples. The mean value of the weighing results is determined over a specified time period (weighing time). The more unstable the weighing sample, the longer the selected weighing time.


Requirement

"F dYn A" for automatic start or "F dYn M" for manual start must be activated in the menu (Section 4). Factory setting is a weighing time of 3 seconds ($t = 3$ ").

Tare container

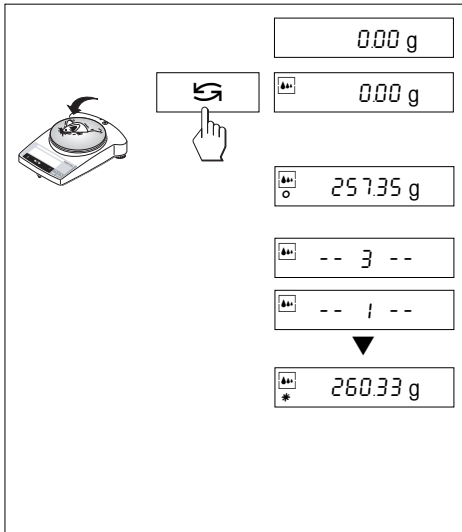
→ Tare: Press the «→0/T←» key.

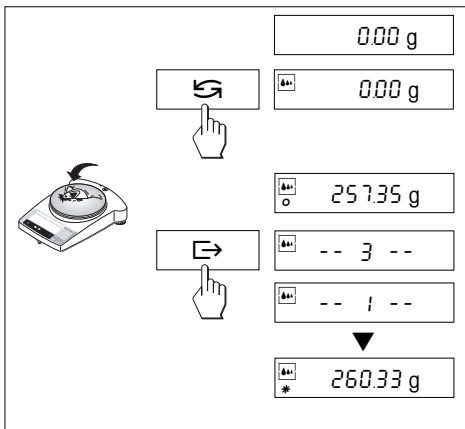
Dynamic weighing with automatic start (F dYn A)

- The «↻» key can be used select the dynamic weighing. The display shows the symbol .
- Load weighing sample. As soon as the balance is relatively stable, weighing starts automatically. During the weighing time, a "count down" runs in the display.

→ Read off result.

The result of the dynamic weighing is displayed with * (= calculated value) and remains in the display until the weighing sample is removed from the weighing pan or the container.





Dynamic weighing with manual start (F dYn M)

→ The «S» key can be used select the dynamic weighing. The display shows the symbol

→ Load weighing sample.

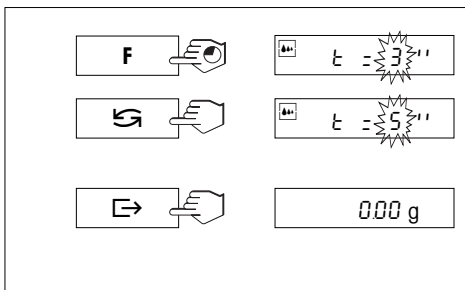
→ Start weighing with the «E» key.
During the weighing time, a "count down" runs in the display.

→ Read off result.

The result of the dynamic weighing is displayed with * (= calculated value) and remains in the display until the weighing sample is removed from the weighing pan or the container.

Notes

- The weighing cycle with the same weighing sample can be restarted with the «E» key.
- The «S» key can be used to switch between dynamic weighing and normal weighing.
- For weighing goods below 5 g the weighing must be started **manually** with the «E» key, even for dynamic weighing with automatic start.



Changing the weighing time

→ Press and hold the «F» key, until "t = 3" appears in the display.

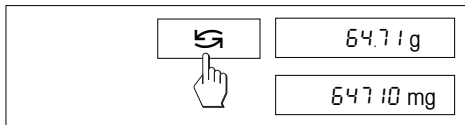
→ Repeatedly press the «S» key, until the desired weighing time appears.
Possible values are 3", 5", 10", 20", 1", 2".

→ Selection with the «E» key briefly to confirm or by automatic acceptance after 3 seconds.

Note

The set weighing time remains stored until it is reset or the power supply fails.

5.4 Switching weight units



Requirement

Different weight units must be activated in the menu for unit 1 and unit 2 (Section 4).

→ The «↻» key can be used at any time to toggle between the two weighing units selected in the menu ("UNIT 1" and "UNIT 2").

Notes:

- Switching between weight units may be blocked with **certified balances**, depending on national weights and measures legislation.
- This function is not available with dynamic weighing.

6 Technical data, optional equipment

6.1 Technical data

Standard equipment of B-S balances

- Protective cover, transparent, made from Borex
- AC adapter to national codes according list on section 6.4
Balance power input: 8–14.5 VAC, 50/60Hz, 6 VA or 9.5–20 VDC, 6 W
- Built-in adjustment weight with AB-S and PB-S (to 0.01 g) models and with all certified models.
- Built-in RS232C interface
- Draft shield with AB-S and PBxx3-S models
- All models can weigh below balance.
- Display with backlight (except ABxx5-S).

Materials

- Housing: die-cast aluminum, painted
- Weighing pan:
Chromium-nickel steel, X2CrNiMo 17 13 2 (1.4404)

Protection

- Protected against dust and water
- Pollution degree: 2
- Overvoltage category: class II
- EMC: see declaration of conformity (separate brochure 11780294)

Ambient conditions

The technical data are valid under the following ambient conditions:

- Ambient temperature 10 °C ... 30 °C
- Relative humidity 15 % ... 80 % at 31 °C, linear decreasing to 50% at 40 °C noncondensing

Operability is assured at ambient temperatures between 5 and 40 °C.

Technical data	AB54-S	AB104-S	AB204-S	AB304-S	AB135-S DualRange	AB265-S DualRange
Readability	0.1 mg	0.1 mg	0.1 mg	0.1 mg	0.01 mg**/0.1 mg	0.01 mg**/0.1 mg
Max. capacity	51 g	110 g	220 g	320 g	31 g**/120 g	61 g**/220 g
Repeatability (sd)	0.1 mg	0.1 mg	0.1 mg	0.1 mg	0.03 mg ^o /0.1 mg	0.03 mg ^o /0.1 mg
Linearity	0.2 mg	0.2 mg	0.2 mg	0.4 mg	0.2 mg	0.2 mg
Sensitivity temperature drift (10 °C ... 30 °C)	2.5 ppm/ °C	2.5 ppm/ °C	2.5 ppm/ °C	2.5 ppm/ °C	2.5 ppm/ °C	2.5 ppm/ °C
Settling time, typical	3.5 s	3.5 s	4 s	5 s	4 s / > 15 s**	4 s / > 15 s**
Adjustment weight	built-in	built-in	built-in	built-in	built-in	built-in
Backlight	yes	yes	yes	yes	no	no
External dimensions of balance (W/D/H)	245/321/344 mm		245/321/344 mm	245/321/344 mm	245/321/344 mm	
External dimensions of packaging (W/D/H)	380/430/490 mm (0.078 m ³)		380/430/490 mm (0.078 m ³)	380/430/490 mm (0.078 m ³)	380/430/490 mm (0.078 m ³)	
Weighing pan	ø 80 mm		ø 80 mm	ø 80 mm	ø 80 mm	
Usable height of draft shield	237 mm		237 mm	237 mm	237 mm	
Net weight (with packaging)	5.8 kg (7.8 kg)		6.4 kg (9.1 kg)	5.8 kg (7.8 kg)	6.4 kg (9.1 kg)	

** Fine range(DualRange)

^o Fine range up to 10 g (Dual Range)

Technical data	PB153-S	PB303-S	PB303-S DeltaRange	PB403-S	PB503-S	PB602-S	PB1502-S	PB3002-S
Readability	0.001 g	0.001 g	0.001 g*/0.01 g	0.001 g	0.001 g	0.01 g	0.01 g	0.01 g
Max. capacity	151 g	310 g	60 g*/310 g	410 g	510 g	610 g	1510 g	3100 g
Repeatability (sd)	0.001 g	0.001 g	0.001 g*/0.008 g	0.001 g	0.001 g	0.01 g	0.01 g	0.01 g
Linearity	0.002 g	0.002 g	0.01 g	0.002 g	0.002 g	0.02 g	0.02 g	0.02 g
Sensitivity temperature drift (10 °C ... 30 °C)	6 ppm/ °C	6 ppm/ °C	6 ppm/ °C	6 ppm/°C	6 ppm/°C	6 ppm/ °C	6 ppm/ °C	6 ppm/ °C
Settling time, typical	2 s	2 s	2 s	2 s	3 s	2 s	2 s	2 s
Adjustment weight	built-in	built-in	built-in	built-in	built-in	built-in	built-in	built-in
Backlight	yes	yes	yes	yes	yes	yes	yes	yes
External dimensions of balance (W/D/H)	245/321/236 mm					245/321/89 mm		
External dimensions of packaging (W/D/H)	380/430/490 mm (0.078 m ³)					380/430/260mm (0.042 m ³)		
Weighing pan	ø 100 mm					ø 180 mm		
Usable height of draft shield	165 mm					–		
Net weight (with packaging)	4.9 kg (6.5 kg)					3.6 kg (4.7 kg)		

* Fine range (DeltaRange)

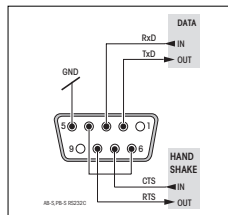
	PB3002-S DeltaRange	PB4002-S	PB1501-S	PB3001-S	PB5001-S	PB8001-S	PB8000-S
Technical data							
Readability	0.01 g*/0.1 g	0.01 g	0.1 g	0.1 g	0.1 g	0.1 g	1 g
Max. capacity	600 g*/3100 g	4100 g	1510 g	3100 g	5100 g	8100 g	8100 g
Repeatability (sd)	0.01 g*/0.08 g	0.01 g	0.08 g	0.08 g	0.08 g	0.08 g	0.8 g
Linearity	0.1 g	0.02 g	0.1 g	0.1 g	0.1 g	0.1 g	1 g
Sensitivity temperature drift (10 °C ... 30 °C)	6 ppm/ °C	6 ppm/ °C	10 ppm/ °C	10 ppm/ °C	10 ppm/ °C	10 ppm/ °C	10 ppm/ °C
Typical stabilization time	2 s	2 s	1.5 s	1.5 s	1.5 s	2 s	1 s
Adjustment weight	built-in	built-in	1000 g ¹⁾	2000 g ¹⁾	2000 g ¹⁾	4000 g ¹⁾	4000 g ¹⁾
Adjustment weight for certified balances	built-in	built-in	built-in	built-in	built-in	built-in	built-in
Backlight	yes	yes	yes	yes	yes	yes	yes
External dimensions of balance (W/D/H)	245/321/89 mm						
External dimensions of packaging (W/D/H)	380/430/260 mm (0.042 m ³)						
Weighing pan	∅ 180 mm						
Net weight (with packaging)	3.6 kg (4.7 kg)						

* Fine range (DeltaRange)

¹⁾ Optional equipment

6.2 Interface

RS232C interface and interface accessories



Every B-S balance is fitted with an RS232C interface for attachment to a peripheral device (e.g. printer or PC with a 9-pin male connector). Matching to a different device can be carried out in the menu (Sections 4.3.10 – 4.3.15).

The wide range of features of the B-S balances regarding documentation of the results can not be exploited to the full until a printer, e.g. the RS-P42 or LC-P45 from METTLER TOLEDO is attached. The printed results make a decisive contribution to a simple way of working in compliance with GLP/GMP.

You will find a detailed description of the available interface commands in the brochure "Reference Manual MT-SICS Basic-S balances 11780447" available from your METTLER TOLEDO dealer or download from the Internet (www.mt.com/AB-S).

6.3 MT-SICS Interface commands and functions

Many of the balances and scales used have to be capable of integration in a complex computer or data acquisition system.

To enable you to integrate balances in your system in a simple manner and utilize their capabilities to the full, most balance functions are also available as appropriate commands via the data interface.

All new METTLER TOLEDO balances launched on the market support the standardized command set "METTLER TOLEDO Standard Interface Command Set" (MT-SICS). The commands available depend on the functionality of the balance.

Basic information on data interchange with the balance

The balance receives commands from the system and acknowledges the command with an appropriate response.

Command formats

Commands sent to the balance comprise one or more characters of the ASCII character set. Here, the following must be noted:

- Enter commands only in uppercase.
- The possible parameters of the command must be separated from one another and from the command name by a space (ASCII 32 dec., in this description represented as `␣`).
- The possible input for "text" is a sequence of characters of the 8-bit ASCII character set from 32 dec to 255 dec.
- Each command must be closed by `CRLF` (ASCII 13 dec., 10 dec.).

The characters `CRLF`, which can be inputted using the Enter or Return key of most entry keypads, are not listed in this description, but it is essential they be included for communication with the balance.

Example

S – Send stable weight value

Command	<code>S</code>	Send the current stable net weight value.
Response	<code>S␣S␣WeightValue␣Unit</code>	Current stable weight value in unit actually set under unit 1.
	<code>S␣I</code>	Command not executable (balance is currently executing another command, e.g. taring, or timeout as stability was not reached).
	<code>S␣+</code>	Balance in overload range.
	<code>S␣-</code>	Balance in underload range.

Example

Command	<code>S</code>	Send a stable weight value.
Response	<code>S␣S␣␣␣␣␣␣␣␣␣100.00␣g</code>	The current, stable weight value is 100.00 g.

The MT-SICS commands listed below is a selected list of available commands. For additional commands and further information please refer to the Reference Manual "MT-SICS Basic-S balances 11780447" downloadable from the Internet under www.mt.com/AB-S.

S – Send stable weight value

Command **S** Send the current stable net weight value.

SI – Send value immediately

Command **SI** Send the current net weight value, irrespective of balance stability.

SIR – Send weight value immediately and repeat

Command **SIR** Send the net weight values repeatedly, irrespective of balance stability.

Z – Zero

Command **Z** Zero the balance.

@ – Reset

Command **@** Resets the balance to the condition found after switching on, but without a zero setting being performed.

SR – Send weight value on weight change (Send and Repeat)

Command **SR** Send the current stable weight value and then send continuously the stable weight value after every weight change.
The weight change must be at least 12.5 % of the last stable weight value, minimum = 30d.

ST – Send stable weight after pressing ⇨ (transfer) key

Command **ST** Inquiry of actual status of the ST function.

SU – Send stable weight value with currently displayed unit

Command **SU** As the "S" command, but with the currently displayed unit.

6.4 Optional equipment

AC adapters

For all models except AB135-S/AB265-S

Output:	12 VAC, 500 mA	
• Euro	230V/50Hz/80mA	11103740
• Euro/(grd)	230V/50Hz/80mA	11103744
• UK	240V/50Hz/80mA	11103742
• USA	120V/60Hz/10W	11103741
• Japan	100V/50Hz/10W	11103743

Output:	12 VAC, 1.0 A	
• Universal (bench version)	220-240V/50Hz/100mA	11103745*

For AB135-S/AB265-S (as well as for all B-S models)

Output:	12 VDC, 2.25 A	
• Universal (bench version)	100-240V, 50-60Hz, 0.8A	11132070*

*(appropriate cable for country also required)

AccuPac B-S

• Rechargeable external power source for 15 hours weighing operation with no mains connection	21254691
---	----------

Adjustment weights

Available as OIML weights (E1, E2, F1, with calibration certificate) For further details see METTLER TOLEDO Weights brochure
or see www.mt.com/weights

Antitheft device

• Cable with lock (for all models)	590101
------------------------------------	--------

Auxiliary display (RS/LC-BLD)

• Auxiliary display including RS cable for connection to the RS232C interface and separate AC adapter	224200
---	--------

Density kits (for AB-S only)

• For determination of solids	33360
• For determination of liquids with displacement body	33360 + 210260

Draft shields *

• Draft shield with sliding doors "mg" (165 mm)	11137468
• Draft shield with sliding doors "0.1 mg" (237 mm)	11103682
• Draft shield "mg" (141 mm)	11103683

* Balances with a weighing pan Ø 180 mm require the weighing pan Ø 175 mm	11103680
---	----------

Interface cable

• RS9–RS25: (m/f), length 2 m	11101052
• RS9–RS9: (m/f), length 1 m	11101051
• RS9–RS9: (m/m), length 1 m	21250066

Printer, Application printer (LC-P45)

• Plain-paper printer, 24 characters, with additional functions (time, date, statistic, multiplier etc.)	229119
--	--------

Printer, Report printer (RS-P42)

• Plain-paper printer, 24 characters	229265
--------------------------------------	--------

Protective cover

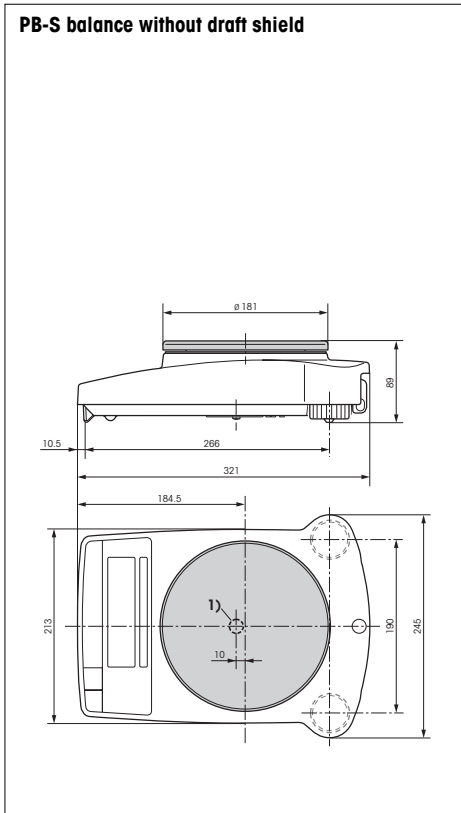
• For PB-S models (1 piece)	11103681
• For AB-S models (1 piece)	11135408

Transport case

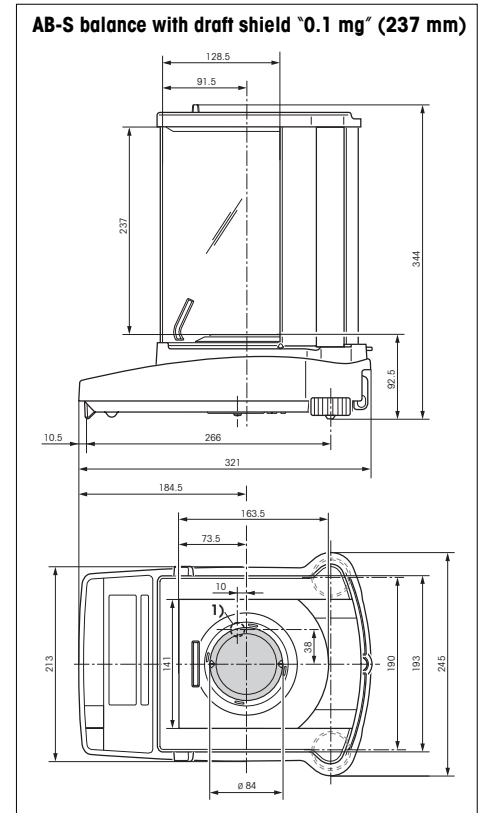
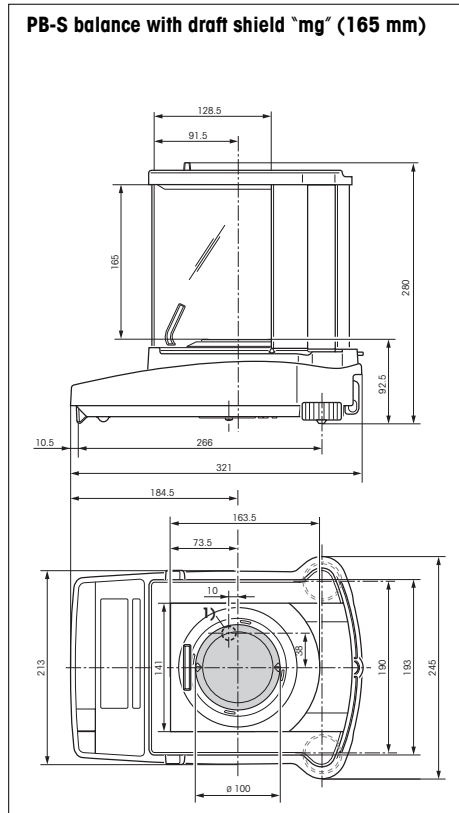
• For all PB-S models, with room for balance, AccuPac, draft shield 165 mm / 141 mm and weight	11101050
• For all AB-S models, has space for balance and draft shield 237 mm	11103834

6.5 Dimensional drawings

All dimensions in millimeters (mm)



1) Opening for hanger



7 Appendix

7.1 Typical printouts from METTLER TOLEDO RS-P42 and LC-P45 printers

Function: Adjusting

```

- BALANCE CALIBRATION -
Date: .....
Time: .....

METTLER TOLEDO
Type:      PB3002-S
SNR:      1118015657
SW:       1.20

Weight ID: .....
Weight:    2000.00 g

External Cal. done

Signature:

.....
----- END -----

```

Function: Piece counting

Printout with reference weight

```

---- PIECE COUNTING ----
APW:      0.99460 g
Out of:   10 PCS

          27.000 g
          27 PCS

```

Function: Percent weighing

```

---- % - WEIGHING ----
Ref.      10.008 g
          100.00 %

          60.01 g
          599.59 %

```

Function: Dynamic weighing

```

--- DYNAMIC WEIGHING ---
Weigh Time: 2 s

DW      49.999 g

```

Function: List

Printout of the current balance settings

```

--- LIST OF SETTINGS ---
Date: .....
Time: .....

METTLER TOLEDO
Type:      PB3002-S
SNR:      1118015657
SW:       1.20
-----

Application:
Dynamic A
-----

Weighing Parameters:
Weighing Mode Standard
Unit 1      g
Unit 2      g
A.Zero     On
-----

Peripheral Devices:
P.Device    Printer
Baud        2400
Bit/Parity  7b-even
Handshake   Off
-----

P.Device    Host
Sendmode    Off
Baud        9600
Bit/Parity  8b-no
Handshake   Soft
-----
----- END -----

```

Function: Verification of the calibration (adjustment) with external weight.

Only possible with LC-P45.
Function is triggered via the printer.

```

----- BALANCE TEST -----
12.02.2001 09:52:12

METTLER TOLEDO
Type:      PB3002-S
SNR:      1118015657
SW:       1.20

Weight ID: .....

Target : .....
Actual : .....199.98 g
Diff   : .....

External test done

Signature:

.....
----- END -----

```

Function: Statistics

Only possible with LC-P45.
Function is triggered via the printer.

```

12.02.2001 10:44:07
ID          666
SNR:       1118015657
1          1100.15 g
2          1600.10 g
3          1699.95 g
n          3
x          1466.733 g
s          321.372 g
srel       21.91 %
min.       1100.15 g
max.       1699.95 g
dif.       599.80 g
-----
----- END -----

```

Function: Multiplier

Only possible with LC-P45.
Function is triggered via the printer.

```

12.02.2001 08:23:22
ID          242
SNR:       1118015657

Factor      1.65
           588.43 g
*           970.9095

```

Notes

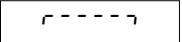

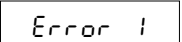
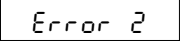
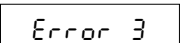
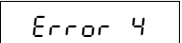
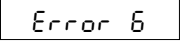


With the RS-P42 the date and time must be entered by hand at the top of the report (see specimen printout for the "Adjusting" function).

With the LC-P45 the date and time are recorded automatically (see specimen printout for the "Statistics" function).

The operating instructions for the LC-P45 include a description of the functions that are triggered via that printer.

The **RS-P42** prints all reports in **English**. This applies also to the **LC-P45** reports that originate in the balance. In the case of reports triggered by the **LC-P45**, the following languages may be selected: **German, English, French, Spanish or Italian**.

7.2 What if ...?

Error/Error message	Cause	Rectification
	Overload	Remove sample from weighing pan, zero again (tare).
	Underload	Check whether weighing pan is positioned properly.
	No stability <ul style="list-style-type: none"> • in taring or adjusting (calibration) • when reference weight for piece counting is placed on pan 	Wait for stability before pressing key. Ensure more stable ambient conditions. Remove weighing pan and clean if necessary
	Wrong adjustment weight on pan or none at all	Place required adjustment weight in center of pan.
	Reference number for piece counting too small	Increase number of reference pieces.
	Internal fault	Contact METTLER TOLEDO customer service.
	No standard calibration	Contact METTLER TOLEDO customer service.
	Wrong weighing pan or pan missing	Mount correct weighing pan.
	Adjustment aborted with the «C» key	

7.3 Connecting B-S balances to other METTLER TOLEDO devices

Device	Connecting cable	settings/ Remarks
Titrators:		
DL67, 70ES, 70 V.2, 77 DL12, 18, 20, 21, 25, DL35, 40GP, 40RC	not supported	
DL37 (KF, coulometer)	not supported	
DL31, 36, 38 DL50, 53, 55, 58	RS9–RS9 (m/f) 11101051	send continuous
RD10 (rheometer)	not supported	
Contalab	not supported	
MCom-Bus 310	RS9–RSopen (m/-) 21900640	
SQC 14 (statistical quality control)	RS9–RS9 (m/f) 11101051	
Spider (industrial scale) Viper BC (industrial scale)	RS9–RS9(m/m) 21252588	
MMR, ID-Terminals	not supported	
M peripherals (GM bus)	not supported	
LC-PVolume (pipette calibration)	RS9–RS9 (m/w) 11101051	
LC-PCalc	RS9–RS9 (m/w) 11101051	
LC-P Density	not supported	
LC-P45 (application printer)	RS9–RS9 (m/w) 11101051	
RS-P42 (report printer)	RS9–RS9 (m/w) 1110105	

7.4 Maintenance and cleaning

Service

Regular servicing of your balance by a service technician prolongs its working life. Ask your METTLER TOLEDO dealer for details of servicing options.

Cleaning

Every now and then, clean the weighing pan, draftshield element, draftshield (depending on the model), housing and terminal of your balance using a damp cloth. Your balance is made of high-quality, durable materials and can therefore be cleaned with a standard, mild cleaning agent.



Please observe the following notes

- On no account use cleaning agents, which contain solvents or abrasive ingredients, as this can result in damage to the terminal overlay.
- After working with chemicals, it is advisable to wash or clean the weighing pan and the bottom plate (if draft shield fitted).
- Although all materials are of high quality, corrosion may occur if corrosive substances are deposited on chrome steel for an extended period of time (and if air is excluded, for example by a coating of grease).
- Ensure that no liquid comes into contact with the balance or the AC adapter!
- Never open the balance or AC adapter – they contain no components, which can be cleaned, repaired or replaced by the user.
- Soiled protective covers can be replaced on all balance types (see Optional equipment).



Disposal

Defective instruments must be disposed of in accordance with applicable customer and national regulations.

**To protect your METTLER TOLEDO product's future:
METTLER TOLEDO Service assures the quality, measuring accuracy and preservation
of value of all METTLER TOLEDO products for years to come.
Please send for full details about our attractive terms of service.
Thank you.**



Subject to technical changes and to the availability
of the accessories supplied with the instruments.

© Mettler-Toledo GmbH 2005 11780642B Printed in Switzerland 0506/2.12

Mettler-Toledo GmbH, Laboratory & Weighing Technologies, CH-8606 Greifensee, Switzerland
Phone +41-44-944 22 11, Fax +41-44-944 30 60, Internet: <http://www.mt.com>