

# Spool Gun

## 200 AMP MIG Gun

### Air-Cooled

**TWECO**  
AN ESAB BRAND



**WELDING PROCESSES: MIG (GMAW), Aluminum (GMAVV)**

#### Standard Options Include:

- 8-pin Amphenol Style Connector
- Standard Straight (180°) Conductor Tube
- Holds standard 4" (102 mm) diameter spools
- Optional 30° Rigid Conductor Tube or Knucklehead's Flexible Conductor Tube

## Spool Gun

#### FEATURES

- **Ideal for a Variety of Applicants** Including aluminum, stainless steel and mild steel welding
- **Long Cables** allow operator to access hard to weld areas
- **Three-Layer conductor Tube Construction** (Copper Tube/ Silicon Resin Glass Insulator / Metal Jacket) with quick disconnect
- **Comfortable Pistol-Grip Handle Design** with outer spool tension control for ease of operation
- **Tweco 200 Amp Spool Guns** Include 3-turn Potentiometer for fine wire feed speed control
- **Tweco 200 Amp Spool Guns** adapt to most welding machines with the use of **ESG-1 Control Box**
- **ESG-1 Control Box** provides the gas solenoid with pre/post purge control and run-in control for arc starting

#### Industry

- Ship and Offshore Yards
- Repair and Maintenance
- Steel Industry
- Industrial and General Fabrication
- Automotive

## Tweco® ESG-1 Control Box



**Part No. ESG-1**  
(Stock No. 1028-1295)

115 Volt, Single Phase, 60 Hz used with Eliminator Spool Guns

**WELDING PROCESSES: MIG (GMAW), Aluminum (GMAVV)**

#### Standard Options Include:

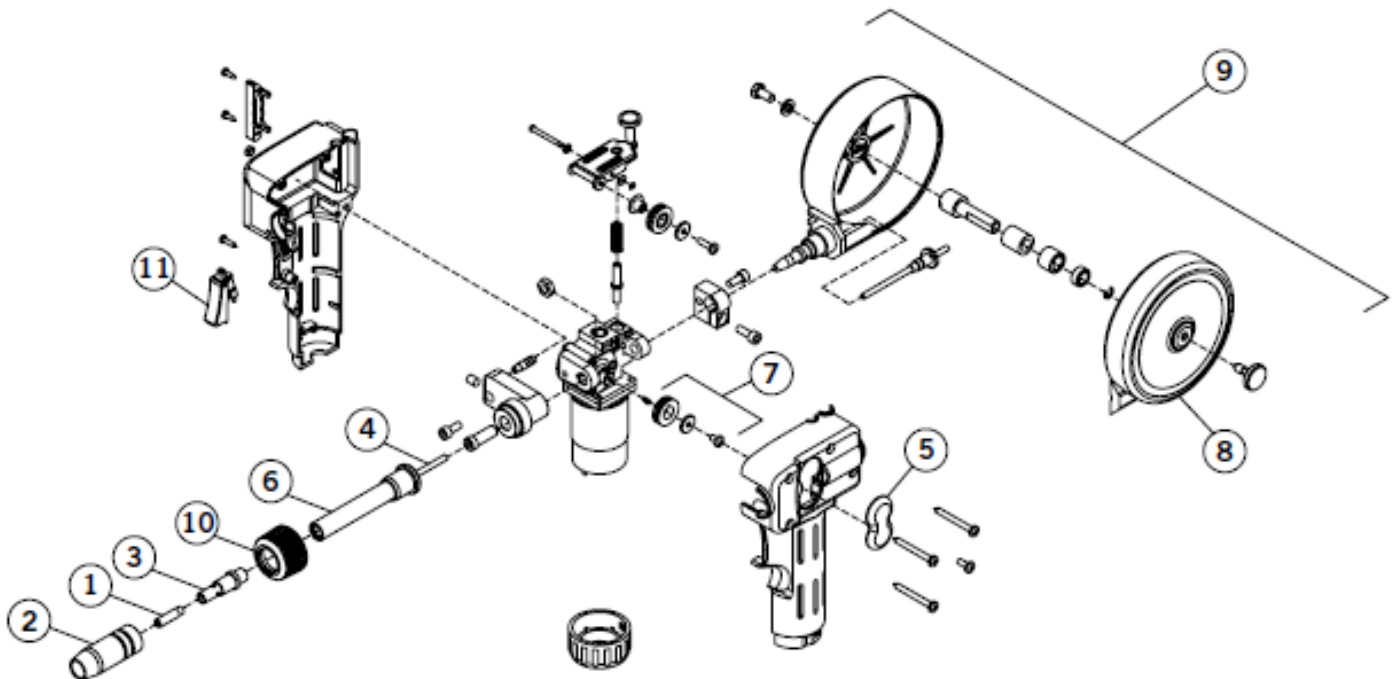
- Standard Power Cord 6ft (2 m)
- Requires Jumper Cord

# SPOOL GUN 200 AMP

SPECIFICATIONS	
Description	Spool Gun 200 Amp
Welding Output CO <sub>2</sub> Gas	200 A at 60%
Wire Diameter, Mild Steel	Up To 3/64" (1.2 mm)
Wire Diameter, Stainless	Up To 3/64" (1.2 mm)
Wire Diameter, Aluminum	Up To 3/64" (1.2 mm)
Certification Mark (Standards)	CE IEC 60974-7
Operating Temperature	-10 to +40°C
Cable Length	12 ft. (3.6 m) and 25 ft. (7.6 m)

## Tweco® Style Rear Connector

Wire Size	Length	Part No.	Stock No.
Up To 3/64" (1.2 mm)	12 ft (3.6 m)	SG200REB-12-3545	1027-1398
	25 ft (7.6 m)	SG200REB-25-3545	1027-1399
	25 ft (7.6 m)	SG200-25-3545	1027-1392
	25 ft (7.6 m)	SG200TA-25-3545*	1027-1391



# SPOOL GUN 200 AMP

#	Description	Part No.	Stock No.
1	Contact Tip .023 (0.6 mm)	11-23	1110-1100
	Contact Tip .030 (10.8 mm)	11-30	1110-1101
	Contact Tip .035 (10.9 mm)	11-35	1110-1102
2	Nozzle 3/8" (9.5 mm)	21T-37	1210-1300
	Nozzle 3/8" (9.5 mm)	21-37	1210-1100
	Nozzle 1/2" (12.7 mm)	21-50	1210-1110
	Nozzle 1/2" (12.7 mm)	21-50F	1210-1112
	Nozzle 5/8" (15.9 mm)	21-62	1210-1120
3	Gas Diffuser	51	1510-1101
4	Conduit	SPG66065	2031-2107
5	Drive Roll Cover	WSPDRC	2031-2227
6	Conductor Tube	WSP62180	2031-2225
7	.023 Drive Roll - V-Shaped	WSPDRV023	2031-2228
	.023 Guide Roll - V-Shaped	WSPGRV023	2031-2234
	.030 & .035 Drive Roll - V-Shaped	WSPDRV030035	2031-2257
	.030 & .035 Guide Roll - V-Shaped	WSPGRV030035	2031-2258
	.045 Drive Roll - V-Shaped	WSPDRV047	2031-2230
	.045 Guide Roll - V-Shaped	WSPGRV047	2031-2236
	.023 Drive Roll - U-Shaped	WSPDRU023	2031-2250
	.030 & .035 Guide Roll - U-Shaped	WSPDRU030035	2031-2252
	.045 Drive Roll - U-Shaped	WSPDRU047	2031-2254
	Smooth Guide Roll (for use with U-Shaped Drive Rolls, not grooved)	WSPGR	2031-2256

#	Description	Part No.	Stock No.
8	Spool Case Cover	WSPSCC	2031-2233
9	Complete Spool Case	WSPSC	2031-2232
10	Conductor Tube Nut	WSP62N	2031-2226
11	Trigger Assembly	WSP92	2031-2231
NS	Replacement Motor	WSPMOTOR	2031-2237
NS	Key Stock for Drive Roll	WSPKEY	2031-2239

## Control Wire Jumper Cords

Use with Tweco Spool Gun 200 Amp - Part No. SG200-25-3545 (StockNo. 1027-1392)

Manufacturer	Machine	Part No.	Stock No.
Miller	Millermatic 212	WSPMILL4PJC	2031-2245
Lincoln®	Power MIG® 255C	WSPLIN7PJC	2031-2247
Hobart®	Ironman™ 210, 250	WSPMILL4PJC	2031-2245
ESAB®	MigMaster® 203	WSPESAB7PJC	2031-2248
ESAB®	MigMaster 253	WSPESAB7PJC	2031-2248
ESAB®	MigMaster 250	WSPESAB7PJC	2031-2248



ESAB / esab.com

