

# Spool Gun

## 160 AMP MIG Gun

### Air-Cooled



**WELDING PROCESSES: MIG (GMAW), Aluminum (GMAVV)**

#### Standard Options Include:

- 8-pin Amphenol Style Connector
- Standard Straight (180°) Conductor Tube
- Holds standard 4" (102 mm) diameter spools
- Optional 30° Rigid Conductor Tube or Knucklehead's Flexible Conductor Tube

## Spool Gun

### FEATURES

- **Ideal for a Variety of Applicants** Including aluminum, stainless steel and mild steel welding
- **Long Cables** allow operator to access hard to weld areas
- **Three-Layer conductor Tube Construction** (Copper Tube/ Silicon Resin Glass Insulator / Metal Jacket) with quick disconnect
- **Tweco 160 Amp and 200 Amp Spool Guns** are designed to work with Tweco new inverter technology on the Fabricator® series of welding systems
- **Comfortable Pistol-Grip Handle Design** with outer spool tension control for ease of operation

### Industry

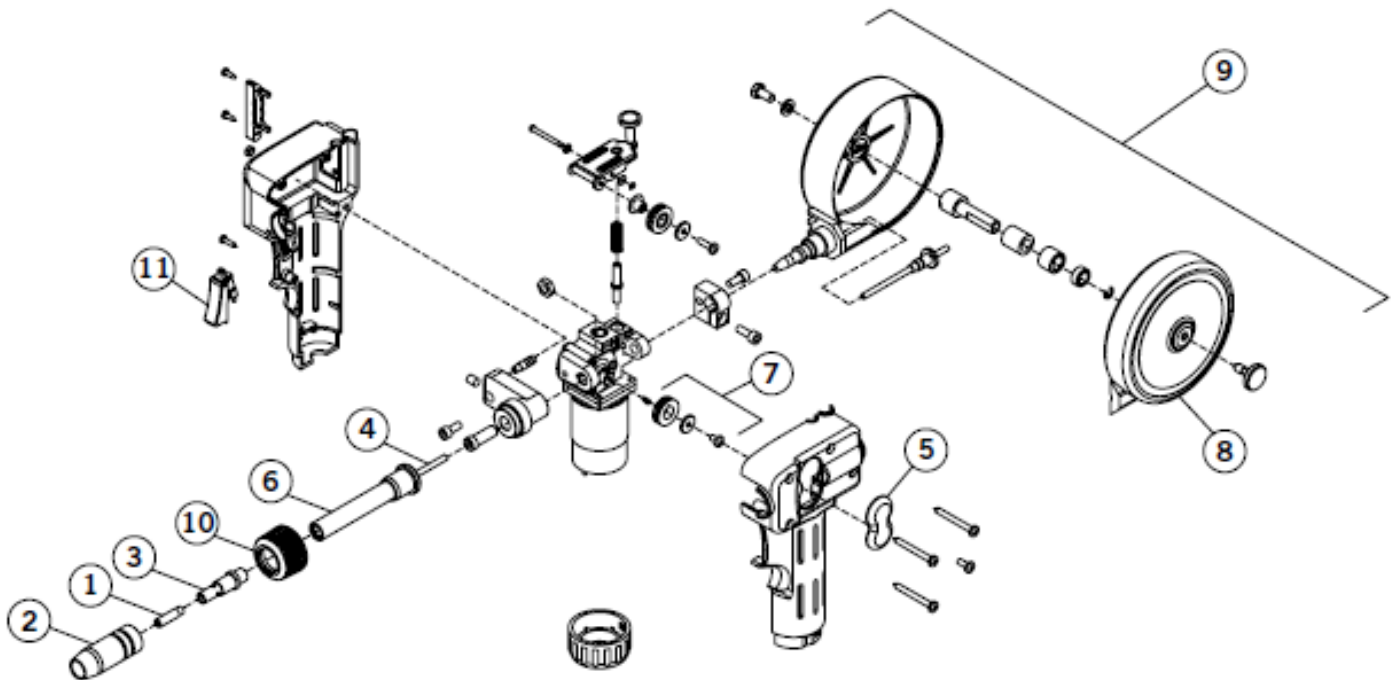
- Ship and Offshore Yards
- Repair and Maintenance
- Steel Industry
- Industrial and General Fabrication
- Automotive

# SPOOL GUN 160 AMP

SPECIFICATIONS	
<b>Description</b>	<b>Spool Gun 160 Amp</b>
Welding Output CO <sub>2</sub> Gas	160 A at 20%
Wire Diameter, Mild Steel	Up To 0.035" (0.9 mm)
Wire Diameter, Stainless	Up To 0.035" (0.9 mm)
Wire Diameter, Aluminum	Up To 0.035" (0.9 mm)
Certification Mark (Standards)	CE IEC 60974-7
Operating Temperature	-10 to +40 °C
Cable Length	12 ft. (3.6 m)

## Tweco® Style Rear Connector

Wire Size	Length	Part No.	Stock No.
Up To .035" (0.9 mm)	15 ft (4.6 m)	SEFC450T-15	1027-1390
	12 ft (3.6 m)	SG160TA-12-3035	1027-1397



# SPOOL GUN 160 AMP

#	Description	Part No.	Stock No.
1	Contact Tip .023 (0.6 mm)	11-23	1110-1100
	Contact Tip .030 (10.8 mm)	11-30	1110-1101
	Contact Tip .035 (10.9 mm)	11-35	1110-1102
2	Nozzle 3/8" (9.5 mm)	21T-37	1210-1300
	Nozzle 3/8" (9.5 mm)	21-37	1210-1100
	Nozzle 1/2" (12.7 mm)	21-50	1210-1110
	Nozzle 1/2" (12.7 mm)	21-50F	1210-1112
	Nozzle 5/8" (15.9 mm)	21-62	1210-1120
3	Gas Diffuser	51	1510-1101
4	Conduit	SPG66065	2031-2107
5	Drive Roll Cover	WSPDRC	2031-2227
6	Conductor Tube	WSP62180	2031-2225
7	.023 Drive Roll - V-Shaped	WSPDRV023	2031-2228
	.023 Guide Roll - V-Shaped	WSPGRV023	2031-2234
	.030 & .035 Drive Roll - V-Shaped	WSPDRV030035	2031-2257
	.030 & .035 Guide Roll - V-Shaped	WSPGRV030035	2031-2258
	.045 Drive Roll - V-Shaped	WSPDRV047	2031-2230
	.045 Guide Roll - V-Shaped	WSPGRV047	2031-2236
	.023 Drive Roll - U-Shaped	WSPDRU023	2031-2250
	.030 & .035 Guide Roll - U-Shaped	WSPDRU030035	2031-2252
	.045 Drive Roll - U-Shaped	WSPDRU047	2031-2254
	Smooth Guide Roll (for use with U-Shaped Drive Rolls, not grooved)	WSPGR	2031-2256

#	Description	Part No.	Stock No.
8	Spool Case Cover	WSPSCC	2031-2233
9	Complete Spool Case	WSPSC	2031-2232
10	Conductor Tube Nut	WSP62N	2031-2226
11	Trigger Assembly	WSP92	2031-2231
NS	Replacement Motor	WSPMOTOR	2031-2237
NS	Key Stock for Drive Roll	WSPKEY	2031-2239



ESAB / esab.com

