

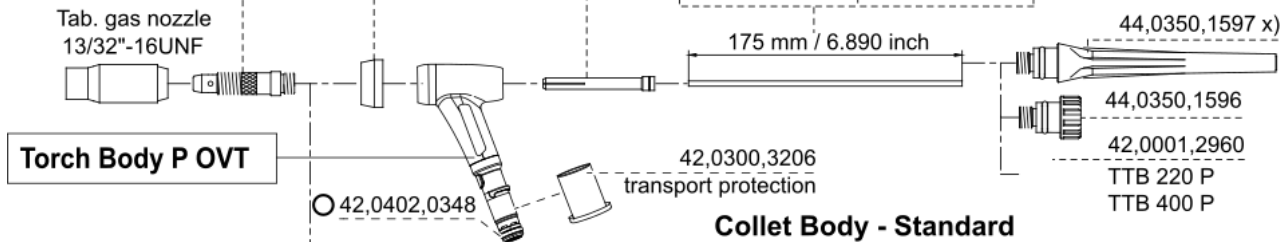
TTB 220P G ML /70°/L65

44,0350,4409

TTB 220P G ML/70°/L65 (44,0350,4409)

Standard

Part No. collet body	Part No. head ring	Part No. collet	Part No. electrode WC20	Part No. electrode WP	Part No. electrode WS2	Electrode	
						mm	inch
42,0001,3032	42,0100,0408 x)	42,0001,1057	42,0411,4012			1,0	.039
42,0001,3033		42,0001,1058	42,0411,4001	42,0411,4008	42,0411,0161	1,6	.063
42,0001,0644		42,0001,0682	42,0411,0404	42,0411,0214	42,0411,0215	2,0	.078
42,0001,3034 x)		42,0001,1071 x)	42,0411,4002 x)	42,0411,4005	42,0411,0162	2,4	.094
42,0001,3035		42,0001,1127	42,0411,4003	42,0411,4006	42,0411,0163	3,2	.126
42,0001,3036		42,0001,1128	42,0411,4013	42,0411,4007	42,0411,0164	4,0	.157



Collet Body - Standard

gas nozzle ceramic screwable 13/32"- 16UNF	d1		d2		L1		Part No.
	mm	inch	mm	inch	mm	inch	
	6,5	.256	18,0	.709	47	1.850	42,0300,2276
	8,0	.315	18,0	.709	47	1.850	42,0300,2277
	9,5	.374	18,0	.709	47	1.850	42,0300,2278 x)
	11,0	.433	18,0	.709	47	1.850	42,0300,2279
	12,5	.492	18,0	.709	47	1.850	42,0300,2280
	16,0	.630	21,0	.827	47	1.850	42,0300,2281
	19,5	.768	23,5	.925	50	1.969	42,0300,2282
	8,0	.315	18,0	.709	76	2.992	42,0300,2283
	9,5	.374	18,0	.709	76	2.992	42,0300,2284
	11,0	.433	18,0	.709	76	2.992	42,0300,2285

Collet Body-Large

Part No. collet body	Electrode	
	mm	inch
42,0001,0560	2,0	.078
42,0001,2862	2,4	.094
42,0001,2863	3,2	.126
42,0001,2864	4,0	.157

X) standard equipment

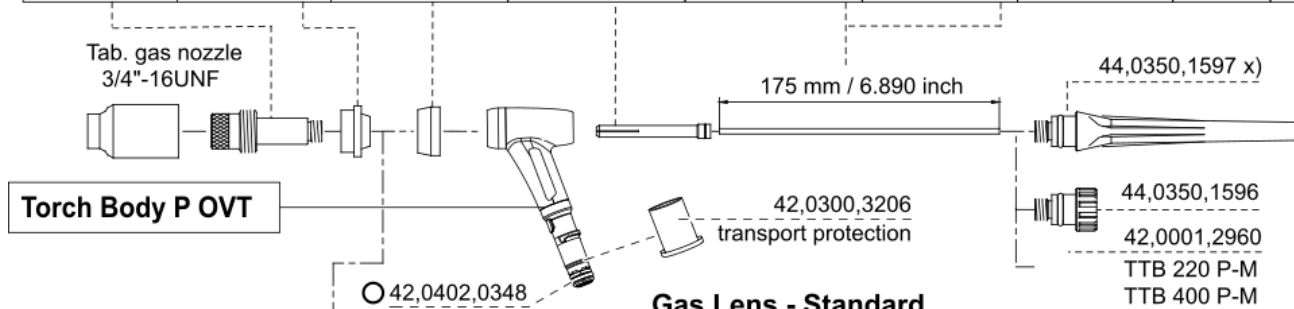
Collet Body - Large

gas nozzle ceramic screwable 3/4"- 16UNF	d1		d2		L1		Part No.
	mm	inch	mm	inch	mm	inch	
	6,5	.256	24,5	.965	42	1.654	42,0300,2009
	8,0	.315	24,5	.965	42	1.654	42,0300,2010
	9,5	.374	24,5	.965	42	1.654	42,0300,2011
	11,0	.433	24,5	.965	42	1.654	42,0300,2012
	12,5	.492	24,5	.965	42	1.654	42,0300,2013
	8,0	.315	24,0	.945	76	2.992	42,0300,2273
	9,5	.374	24,0	.945	76	2.992	42,0300,2274
	9,5	.374	24,0	.945	59,1	2.327	42,0300,2826
	11,0	.433	24,0	.945	76	2.992	42,0300,2275

TTB 220P G ML/70°/L65 (44,0350,4409)

Standard

Part No. gas lens	Part No. insulation ring	Part No. head shield	Part No. collet	Part No. electrode WC20	Part No. electrode WP	Part No. electrode WS2	Electrode \varnothing	
							mm	inch
44,0350,1595	42,0100,0401	42,0100,0408 x)	42,0001,1057	42,0411,4012			1,0	.039
44,0350,1362			42,0001,1058	42,0411,4001	42,0411,4008	42,0411,0161	1,6	.063
44,0350,0645			42,0001,0682	42,0411,4004	42,0411,0414	42,0411,0215	2,0	.078
44,0350,1363			42,0001,1071 x)	42,0411,4002 x)	42,0411,4005	42,0411,0162	2,4	.094
44,0350,1364			42,0001,1127	42,0411,4003	42,0411,4006	42,0411,0163	3,2	.126
44,0350,1365			42,0001,1128	42,0411,4013	42,0411,4007	42,0411,0164	4,0	.157



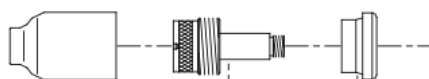
Gas Lens - Standard

X) standard equipment

gas nozzle ceramic screwable 3/4"- 16UNF	d1		d2		L1		Part No.
	mm	inch	mm	inch	mm	inch	
	6,5	.256	24,5	.965	42	1.654	42,0300,2009
	8,0	.315	24,5	.965	42	1.654	42,0300,2010
	9,5	.374	24,5	.965	42	1.654	42,0300,2011
	11,0	.433	24,5	.965	42	1.654	42,0300,2012
	12,5	.492	24,5	.965	42	1.654	42,0300,2013
	8,0	.315	24,0	.945	76	2.992	42,0300,2273
	9,5	.374	24,0	.945	76	2.992	42,0300,2274
	9,5	.374	24,0	.945	59,1	2.327	42,0300,2826
	11,0	.433	24,0	.945	76	2.992	42,0300,2275

Gas Lens - Large

Tab. gas nozzle 1"-16G



Part No. insulation ring	Part No. collet body	Electrode \varnothing	
		mm	inch
42,0100,0402	42,0001,3027	1,0	.039
	42,0001,3028	1,6	.063
	42,0001,0646	2,0	.078
	42,0001,3029	2,4	.094
	42,0001,3030	3,2	.126
	42,0001,3031	4,0	.157

Gas Lens - Large

gas nozzle ceramic screwable 1"- 16G	d1		d2		L1		Part No.
	mm	inch	mm	inch	mm	inch	
	9,5	.374	30,3	1.193	48	1.890	42,0300,2247
	12,5	.492	30,3	1.193	48	1.890	42,0300,2248
	16,0	.630	31,0	1.220	48	1.890	42,0300,2249
	19,0	.748	31,0	1.220	48	1.890	42,0300,2250

TTB 220P G ML/70°/L65 (44,0350,4409)

Article no.	Description	Quantity	Unit
42,0001,3034	Clamp. sl. case 2,4/ø11,1x46,8	1	pc
42,0300,2283	Gas nozzle cer. ø17,6/ø8x76,5	1	pc
42,0411,0214	Tung. el. WP/ø2.0x175	1	pc
42,0411,4004	TUNGSTEN-ELECTRODE CER2% D=2.0	1	pc
42,0001,0644	Clamping sleeve case 2.0/	1	pc
42,0001,0682	Clamping sleeve 2.0/ø6.35x52	1	pc
42,0300,2285	Gas nozzle cer. ø17,6/ø11x76,5	1	pc
42,0300,2284	Gas nozzle c. ø17,6/ø9,5x76,5	1	pc
42,0300,2282	Gas nozzle ceram. ø23,5/ø19x47	1	pc
42,0001,0560	Clamping sleeve case 2.0/	1	pc
42,0300,2281	Gas nozzle ceram. ø20,5/ø16x47	1	pc
42,0300,2280	Gas nozzle ceram. ø18/ø12,5x47	1	pc
42,0300,2279	Gas nozzle ceramic ø18/ø11x47	1	pc
42,0300,2278	Gas nozzle ceramic ø18/ø9,5x47	1	pc
42,0300,2277	Gas nozzle ceramic ø18/ø8x47	1	pc
42,0300,2276	Gas nozzle ceramic ø18/ø6,5x47	1	pc
42,0300,2826	Gas nozzle cer ø9.5/ø24x59.1mm	1	pc
42,0411,0215	Tung. el. WS2-2.0x175mm	1	pc
42,0001,3027	Gas lens big 1,0/ø25,4x50	1	pc
42,0300,2273	Gas nozzle ceramic ø24/ø8x76	1	pc
44,0350,1595	Gas lens 1,0/ø19x50	1	pc
42,0001,0645	Gas lens 2.0/ø19x50	1	pc
42,0100,0401	Insulating ring ø23/ø12,3x13,6	1	pc
44,0350,1365	Gas lens 4,0/ø19x50	1	pc
44,0350,1364	Gas lens 3,2/ø19x50	1	pc
44,0350,1363	Gas lens 2,4/ø19x50	1	pc
44,0350,1362	Gas lens 1,6/ø19x50	1	pc
42,0300,2250	Gas nozzle ceram. ø30,5/ø19x48	1	pc
42,0001,3028	Gas lens big 1,6/ø25,4x50	1	pc
42,0300,2249	Gas nozzle ceram. ø30,5/ø16x48	1	pc
42,0300,2248	Gas nozzle cer. ø30,5/ø12,5x48	1	pc
42,0300,2247	Gas nozzle cer. ø30,5/ø9,5x48	1	pc
42,0100,0402	Insulating ring ø30/ø12,3x15,8	1	pc
42,0001,3031	Gas lens big 4,0/ø25,4x50	1	pc

TTB 220P G ML/70°/L65 (44,0350,4409)

Article no.	Description	Quantity	Unit
42,0001,3030	Gas lens big 3,2/ø25,4x50	1	pc
42,0001,3029	Gas lens big 2,4/ø25,4x50	1	pc
42,0300,2274	Gas nozzle ceramic ø24/ø9,5x76	1	pc
42,0300,2013	Gas nozzle ceram. ø24/ø12,5x41	1	pc
42,0001,3035	Clamp. sl. case 3,2/ø11,1x46,8	1	pc
42,0001,1057	Clamping sleeve 1.0/ø6.35x52	1	pc
42,0411,4002	Tungsten electr. WC20/ø2,4x175	1	pc
42,0411,4013	Tungsten electr. WC20/ø4,0x175	1	pc
42,0001,1128	Clamping sleeve 4.0/ø6.35x52	1	pc
42,0001,1127	Clamping sleeve 3.2/ø6.35x52	1	pc
42,0001,1071	Clamping sleeve 2.4/ø6.35x52	1	pc
42,0001,1058	Clamping sleeve 1.6/ø6.35x52	1	pc
42,0100,0408	Head shield stand. ø22/ø15x10	1	pc
42,0411,4012	Tungsten electr. WC20/ø1,0x175	1	pc
42,0001,3036	Clamp. sl. case 4,0/ø11,1x46,8	1	pc
42,0001,3033	Clamp. sl. case 1,6/ø11,1x46,8	1	pc
42,0001,3032	Clamp. sl. case 1,0/ø11,1x46,8	1	pc
42,0402,0348	Normatec-FKM-NT-80.7/75_9x2mm	1	pc
42,0300,3206	Cover cap 12.5x20-red	1	pc
44,0350,1597	Torch cap long L118,3	1	pc
42,0300,2275	Gas nozzle ceramic ø24/ø11x76	1	pc
42,0411,4001	Tungsten electr. WC20/ø1,6x175	1	pc
42,0411,4003	Tungsten electr. WC20/ø3,2x175	1	pc
42,0300,2012	Gas nozzle ceramic ø24/ø11x41	1	pc
42,0001,2960	Gas distributor PW42-M	1	pc
42,0300,2011	Gas nozzle ceramic ø24/ø9,5x41	1	pc
42,0300,2009	Gas nozzle ceramic ø24/ø6,5x41	1	pc
42,0300,2010	Gas nozzle ceramic ø24/ø8x41	1	pc
42,0001,2864	Clamp. sleeve case 4,0/ø19x33	1	pc
42,0001,2863	Clamp. sleeve case 3,2/ø19x33	1	pc
42,0001,2862	Clamp. sleeve case 2,4/ø19x33	1	pc
44,0350,1596	Torch cap short L28	1	pc
42,0411,4007	Tungsten electrode WP/ø4,0x175	1	pc
42,0411,0164	Tungsten electr. WS2-4.0x175mm	1	pc

TTB 220P G ML/70°/L65 (44,0350,4409)

Article no.	Description	Quantity	Unit
42,0411,0163	Tungsten electr. WS2-3.2x175mm	1	pc
42,0411,0162	Tungsten electr. WS2-2.4x175mm	1	pc
42,0411,0161	Tungsten electr. WS2-1.6x175mm	1	pc
42,0411,4008	Tungsten electrode WP/ø1,6x175	1	pc
42,0411,4005	Tungsten electrode WP/ø2,4x175	1	pc
42,0411,4006	Tungsten electrode WP/ø3,2x175	1	pc
42,0001,0646	Gas lens large 2.0/ø25.4x50.5	1	pc