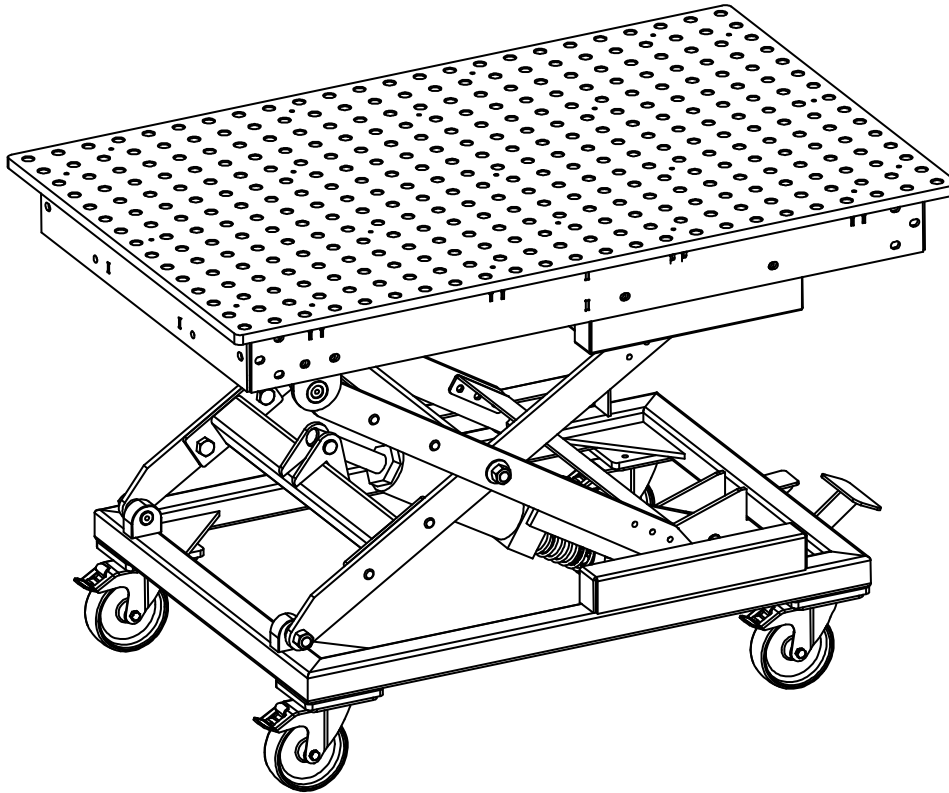


RHINO LIFT, 4' x 3' - TDSL4830



SPECIFICATIONS

PN	Height Adjustment	Tabletop Size	Tabletop Thickness	Hole Diameter	Grid Pattern	Static Load/ Dynamic Load	Weight
TDSL4830	21.6" - 38.2" 550 - 970 mm	48" x 30" 1,219 x 762 mm	0.63" 16 mm	0.625" 15.88 mm	2" x 2" 50.8 x 50.8 mm	1,100 / 770 lb 500 / 350 kg	502 lb 228 kg

MAINTENANCE

- Replace the hydraulic oil regularly according to the service conditions, and the hydraulic oil grade is # 32 or # 46.
- Always clean the things on the hydraulic cylinder and piston rod to prevent them from entering the hydraulic cylinder and damaging the cylinder.
- Always clean the things around the top and bottom rollers to keep the track clean.
- Check the connection parts such as threads and bolts frequently, and tighten them immediately in case of looseness.
- If it is not used for a long time, lower the tabletop to the lowest to extend the service life of the lifting structure.

SAFETY

ALWAYS wear safety goggles, gloves, and appropriate safety items for protection.
Use the cart only for its intended purpose.

LIMITED WARRANTY

Each STRONG HAND TOOL product is warranted to be free from defects in material and workmanship. Return to place of purchase for a replacement if warranty applies.