

OptX™ 2kW

Handheld Laser Welder

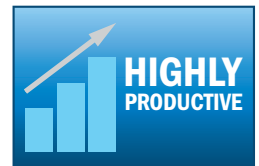


Quick Specs	Applications	Processes	Input Power
	Sheet metal Fabrication Manufacturing Aerospace and defense Transportation HVAC	Laser welding Laser cleaning	40 A, 240 V, single-phase
		Laser Output	Process Gas
		Weld mode: Class 1 red guide beam 2,000 W average power, 2,500 W peak power	Argon, nitrogen, argon/CO ₂ mix
			Net Weight 140 lb. (64 kg)

Change the welding game with the OptX handheld laser welder. Unleash the workforce's welding potential and significantly reduce the learning curve, so any welder can drive output and be productive. Ideal for precision welding applications with tight fit-up with minimal gaps where high productivity is needed.



NEW!



Highly productive

- High speed welding that is up to four times faster than TIG, with simple material preparation and minimal post-finishing.
- Spot, autogenous and wire welding, along with a cleaning function provide high-quality, consistent results.
- The OptX 2kW wire feeder is designed and manufactured specifically for the handheld laser application, providing consistent results in an industrial setting.

Easy to use

- Simple interface with pre-built parameters for welding and cleaning applications, provide reliable results for different material types and thicknesses.
- Nearly eliminate the need for pre- and post-weld processing where tight part fit-up is available.



Power source is warrantied for three years, parts and labor.



Miller Electric Mfg. LLC
An ITW Welding Company
1635 West Spencer Street
P.O. Box 1079
Appleton, WI 54912-1079 USA

Equipment Sales US and Canada
Phone: 866-931-9730
FAX: 800-637-2315
International Phone: 920-735-4554
International FAX: 920-735-4125

MillerWelds.com
f X YouTube Instagram LinkedIn



OptX 2kW Control Panel



1. Laser Emission Indicator

2. Interlock Indicator

3. Weld Gas Indicator

4. Error Indicator

5. Emergency Stop Button

6. Key (Power Switch)

7. Laser Power Control and Meter

Range 0–2,000 W

8. Mode (Program) Selector

9. Wobble Frequency Control and Meter

Range 0–300 Hz

10. Wobble Length Control and Meter

Range 0–0.59 in. (0–15 mm)

OptX Wire Feeder Control Panel



1. Retract
2. Power Switch
3. Wire Feed Speed
Range 0–80 ipm
4. Toggle Switch
 - a. Left: Manual Wire Retract
 - b. Right: Manual Wire Jog
 - c. Right (Double Click): Auto Wire Load

OptX 2kW Specifications (Subject to change without notice.)

Mode	Input Power	Output	Rated Output at 100% Duty Cycle	Amps Input at Rated Output, 50/60 Hz			Dimensions (H x W x D)	Net Weight
				240 V	KVA	KW		
Laser Welding and Cleaning	1-phase	2 kW	2 kW at 30°C	32	6	5.85	21 x 12.4 x 25.2 in. (533 x 315 x 640 mm)	140 lb. (64 kg)

OptX Wire Feeder Specifications (Subject to change without notice.)

Input Power	Wire Feed Speed	Wire Diameter Capacity	Spool Size Capacity	Dimensions (H x W x D)	Net Weight
120 VAC, 3.5 A, 50/60 Hz	5–80 ipm (0.127–2.032 m/min.)	.023–1/16 in. (0.6–1.6 mm) .045 in. (1.1 mm) recommended	8 in. (203 mm) and 12 in. (305 mm)	16 x 12.375 x 27.875 in. (406 x 314 x 708 mm)	46 lb. (21 kg)

OptX 2kW Performance Data

Metal	Material Thickness Range (Wire Autogenous)	Spot Welding Penetration Depth	Laser Welding Travel Speed	Shielding Gas Required
Aluminum	20 gauge–1/4 in.	20 gauge–1/4 in.	15–20 ipm (0.3–0.5 mpm)	Argon
Steel	20 gauge–1/4 in.	20 gauge–1/4 in.	15–20 ipm (0.3–0.5 mpm)	Nitrogen
Stainless Steel				
Copper	18 gauge–1/8 in.	18 gauge–1/8 in.	15–20 ipm (0.3–0.5 mpm)	Nitrogen

Welding and Cleaning Parameters

Steel/Stainless Steel Parameters

Metal	Shielding Gas	Weld Type	Wire Size	Program	Power /WPS								
					20 gauge	18 gauge	16 gauge	14 gauge	12 gauge	1/8 inch	3/16 inch	1/4 inch	5/16 inch
Steel	100% nitrogen	Spot	–	A3	400 / –	500 / –	600 / –	800 / –	1,000 / –	1,290 / –	1,890 / –	2,000** / –	– / –
		Autogenous	–	A4	310 / –	390 / –	470 / –	620 / –	750 / –	970 / –	1,480 / –	1,940* / –	1,940* / –
		Wire ER70S-6	.045 in.	A5	720 / 15	790 / 15	920 / 15	1,060 / 15	1,300 / 15	1,500 / 15	1,840 / 10	2,000* / 5	– / –
Stainless steel	100% nitrogen	Spot	–	A0	320 / –	400 / –	480 / –	650 / –	850 / –	1,050 / –	1,530 / –	2,000 / –	– / –
		Autogenous	–	A1	310 / –	390 / –	470 / –	620 / –	800 / –	970 / –	1,480 / –	1,940* / –	2,000* / –
		Wire 308L	.045 in.	A2	720 / 15	790 / 15	920 / 15	1,060 / 15	1,360 / 15	1,600 / 15	1,720 / 10	2,000* / 5	– / –
Steel/ stainless steel	100% nitrogen	Cleaning	–	C0	Low								
				C1	Medium								
				C2	High								

Note: Parameters are suggested settings. Additional adjustments may be required.

*Wobble Frequency set at -25 **Wobble Length set at -2

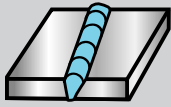
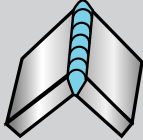
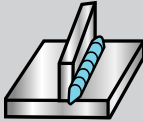
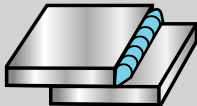
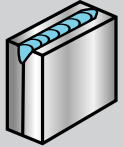
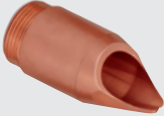
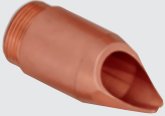
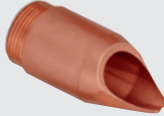
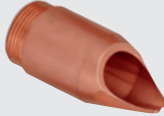
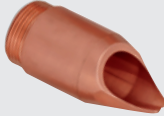
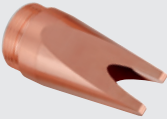

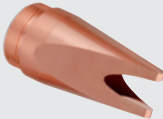
Aluminum Parameters

Metal	Shielding Gas	Weld Type	Wire Size	Program	Power /WPS								
					20 gauge	18 gauge	16 gauge	14 gauge	12 gauge	1/8 inch	3/16 inch	1/4 inch	5/16 inch
Aluminum 6XXX	100% argon	Spot	–	F3	– / –	300* / –	400 / –	480 / –	600 / –	950 / –	1,500 / –	– / –	– / –
		Autogenous	–	F4	– / –	300 / –	400 / –	480 / –	600 / –	900 / –	1,400 / –	– / –	– / –
		Wire 5356	.047 in.	F5	– / –	500 / 20	600 / 20	750 / 20	900 / 20	1,300 / 20	1,700 / 20	– / –	– / –
Aluminum 5XXX	100% argon	Spot	–	F0	– / –	300* / –	375 / –	450 / –	550 / –	900 / –	1,600 / –	– / –	– / –
		Autogenous	–	F1	– / –	300 / –	400 / –	450 / –	600 / –	900 / –	1,350* / –	1,750* / –	– / –
		Wire 5356	.047 in.	F2	– / –	500 / 20	600 / 20	750 / 20	900 / 20	1,300 / 20	1,700 / 20	2,000 / 15	– / –
Aluminum 6XXX/ 5XXX	100% argon	Cleaning	–	H0	Low								
				H1	Medium								
				H2	High								

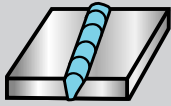
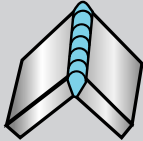
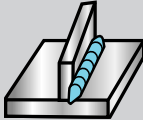
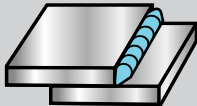
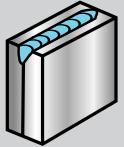
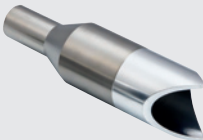
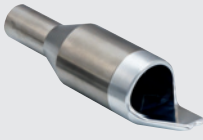


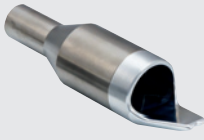
Note: Parameters are suggested settings. Additional adjustments may be required.

*Wobble Frequency set at -25 **Wobble Length set at -2

Welding Nozzle Selection

Butt Joint	Corner Joint	T Joint	Lap Joint	Edge Joint
				
				
301812 1-point 301815 Wire feed	301812 1-point 301815 Wire feed	301812 1-point 301815 Wire feed	301812 1-point 301815 Wire feed	301812 1-point 301815 Wire feed
				
301813 2-point (6 mm) 301814 2-point (9 mm)		301811 Conical	301813 2-point (6 mm) 301814 2-point (9 mm)	

Cleaning Nozzle Selection

Butt Joint	Corner Joint	T Joint	Lap Joint	Edge Joint
				
				
301821 2-point	301819 Outer corner	301820 1-point	301820 1-point	301819 Outer corner

OptX 2KW Package



951000109 package includes:

- OptX 2kW laser machine
- OptX wire feeder
- OptX laser torch
- OptX accessory kit (301828) consisting of:
 - OptX carbon fiber laser welding helmet
 - OptX standard laser safety glasses
 - OptX torch cradle
 - OptX torch cover
 - Welding nozzles (set of 5)
 - Cleaning nozzles (set of 3)
 - Protective windows with o-rings (5-pack of each)
 - 10-foot (3 m) Cat 6 Ethernet cable
 - Contact tips
 - Additional components and tools
- OptX hardware kit (301801) consisting of:
 - Work-sense clamp
 - Smith regulator (30-150-580)
 - 5-foot (1.5 m) gas hose
 - .045 V-groove 4-roll drive roll kit
 - .047 U-groove 4-roll drive roll kit
 - Trigger cable

Genuine Miller® Accessories



OptX™ Carbon Fiber Laser Welding Helmet 301829

This lightweight, carbon fiber helmet was developed specifically for the OptX handheld laser system to protect against 1070 nm infrared laser light.



OptX™ Laser Safety Glasses

301830 Standard glasses

301831 Oversized frame

Polycarbonate glasses rated for OD 7 or greater at 1070 nanometers. The lightweight design and adjustable nose pads provide all-day comfort.

OptX™ Cart 301792

Provides a sturdy foundation for your OptX handheld laser welder, OptX wire feeder and two gas bottles. With plenty of storage for accessories, consumables and PPE, the rugged wheels allow for the ability to move the system around.



OptX™ Torch Cradle 301803

Magnetic cradle used to support the OptX torch head. Attached to metal tabletop or OptX cart for easy storage.

OptX™ Torch Cover 301798

Rubber cover that helps protect the torch assembly from impact.



Work-Sense Clamp 296162

Ensures continuity between the laser torch nozzle and the workpiece.



Welding Nozzles

301811 Conical

301812 1-point

301813 2-point (6 mm)

301814 2-point (9 mm)

301815 Wire feed

301832 Set of five — conical, 1-point, 2-point (6 mm and 9 mm) and wire feed



Cleaning Nozzles

301819 Outside corner

301820 1-point

301821 2-point

301833 Set of three — outside corner, 1-point and 2-point



Protective Window (5-pack) 301823

Used to protect the laser optics from debris in the OptX torch.



Ethernet Cable 301810

Used to connect a PC to the OptX power source for online access to customizing parameter settings and troubleshooting.



Performance TIG Gloves

263346 Small

263347 Medium

263348 Large

263349 X-Large

Completely unlined, goat grain leather with triple-padded palm.



Grain Leather Jacket

231090 Large

231091 X-Large

231092 2X-Large

Top-grain pigskin leather with flame-resistant inside cuff, satin lining and tapered, athletic cut. Sewn entirely with Kevlar® thread, adding structural durability at each seam.

Feeder Consumables

Wire Size	Guide Conduit	U-Groove Drive Rolls	V-Groove Drive Rolls	Guide Tips
.045 in. (1.1 mm)	301809	—	301825 (kit)	301822
.047 in. (1.2 mm)	301808	301826 (kit)	—	301822

Ordering Information

Package	Stock No.	Description	Qty.	Price
OptX™ 2KW Package	951000109	See page 6 for package contents		
Accessories				
OptX™ Carbon Fiber Laser Welding Helmet	301829			
OptX™ Laser Safety Glasses	301830 301831	Standard glasses Oversized frame		
OptX™ Cart	301792			
OptX™ Torch Cradle	301803			
OptX™ Torch Cover	301798			
Work-Sense Clamp	296162			
Welding Nozzles		See page 7		
Cleaning Nozzles		See page 7		
Protective Window (5-pack)	301823			
Ethernet Cable	301810			
Performance TIG Gloves		See page 7		
Grain Leather Jacket		See page 7		
Consumables				
		See page 7		

Date:

Total Quoted Price:

Call us toll-free at 866-931-9730 or email us at PWSService@millerwelds.com for additional information on safety and laser processes.

Distributed by:

