

Handler® 125

120-Volt Wire Feed Welder



284611
June 2020

120 V



500573

Quick Specs

DC CV 1 Phase

Welding Amp Range
25–130 A

Rated Output
80 A at 25% duty cycle

Mild Steel Thickness Range
24 ga. – 3/16 in.

**5/3/1
INDUSTRIAL
WARRANTY**

Easy-to-Use, Ready-to-Weld.

The Handler 125 is a reliable constant-voltage DC welder with built-in wire feeder, that operates on 120-volt household current. It comes ready to weld, without shielding gas, using .030–.035 inch (0.8–0.9 mm) self-shielding flux-cored wire. It can weld 24-gauge to 3/16-inch steel with flux-cored wire.

This welder is equipped with a factory-installed gas solenoid. With the addition of an optional regulator and shielding gas, you're ready to MIG weld with .023–.030 inch (0.6–0.8 mm) solid wire in the traditional two-knob control mode. Use C-25 gas (75% argon/25% CO₂) on 24 gauge–1/8 inch steel for a cleaner weld with less spatter. Use Tri-Mix gas and stainless wire for welding on 18–12 gauge stainless steel.

Applications

- Light maintenance/repair
- Kennels
- Grills/smokers
- DIY
- Farm/ranch
- Signs
- Fences/gates
- Home repair

Includes

- 8 ft. (2.4 m) H100F2-8 gun with liner for .030–.035 in. (0.8–0.9 mm) diameter wire
- Work cable with clamp
- Power cord with plug
- Two .030 in. (0.8 mm) contact tips
- Weld set-up chart
- Owner's manual with parts list, installation, operation and maintenance guidelines

Features	Benefits
Broad output range of 25–130 amps	Allows you to weld up to 3/16-inch steel with flux-cored wire.
Four output voltage settings	Provides a broad operating window for each wire, with quick and easy adjustment for different thicknesses and joints.
Spool hub assembly accommodates 4- or 8-inch spools	Offers you flexibility to use small or large spools of wire to better suit your welding needs.
Factory-installed gas solenoid	Makes it easy to change from flux-cored to MIG welding.
Built-in contactor	Eases use and excellent safety feature which makes wire electrically “cold” until gun trigger is pulled.
Durable feed head with quick-release drive roll tension lever	Positive feed with adjustable tension plus easy accessibility to thread new wire.
Self-resetting thermal overload	Protects power transformer to ensure reliability.
Hobart's 5/3/1 industrial warranty	Five-year warranty on transformers, stabilizers and main rectifiers; three years on generators, PC boards and drive systems; and one year on guns (MIG, plasma and TIG torches).

Specifications (Subject to change without notice.)

DC CV 1 Phase

Welding Amp Range	Rated Output	Amps Input at Rated Output, 60 Hz			Max. Open-Circuit Voltage	Wire Feed Speed Range	Dimensions	Net Weight
		120 V	KVA	KW				
25–130 A	80 A at 25% duty cycle 50 A at 60% duty cycle 40 A at 100% duty cycle	21.3	2.59	2.23	28 VDC	88–545 ipm (2.2–13.8 mpm)	H: 13.5 in. (343 mm) W: 10 in. (254 mm) D: 19.4 in. (493 mm)	57.5 lb. (26 kg)

Conforms to ANSI/IEC Std. 60974-1.
Conforms to CSA Std. E60974-1.



Hobart Welding Products

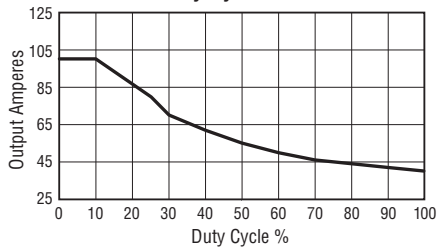
An ITW Welding Company
Sales: 800-626-9420
Service: 800-332-3281

HobartWelders.com

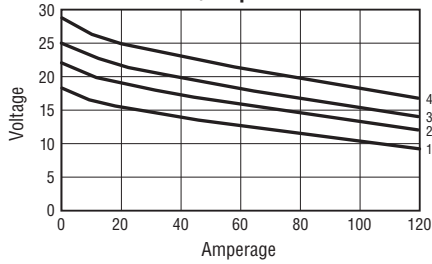


Performance Data

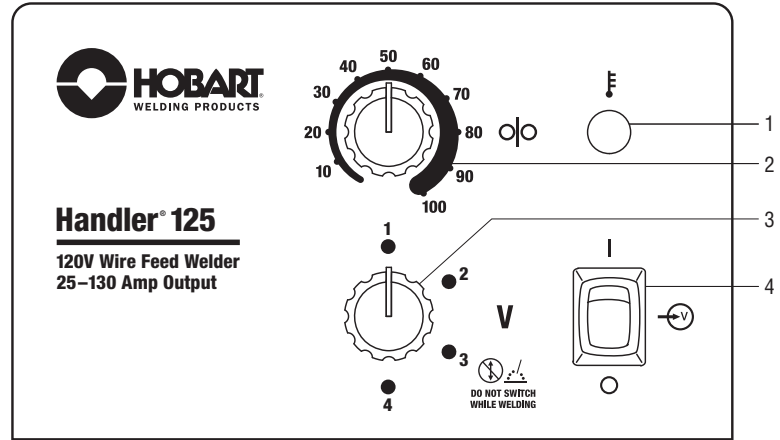
Duty Cycle Curve



Volt/Amp Curve



Control Panel



1. Over Temperature Light
2. Wire Speed Control
3. Voltage Control Switch
4. Power Switch

Accessories



H100F2-8 Replacement Welding Gun
Hobart/Miller 270629

Comes in 8 ft. (2.4 m) length with liner for .030-.035 in. (0.8-0.9 mm) diameter wire.



Flux-cored Nozzle 770487
For use with self-shielding flux-cored wires.

Gas Hose 269815

5 ft. reinforced PVC hose with fittings.



Flow Gauge Regulator 10-50 SCFH
with 5-foot (1.5 m) Gas Hose 770971

Medium-duty regulator for use with 100% argon and argon/CO₂ mixed gases.



Protective Cover
195186

Weather-resistant nylon resists stains and mildew while protecting the finish of your welder.



Small Cart/Cylinder Rack 194776

Designed for portable MIG welders. Accommodates large and small gas cylinders.

Consumables

Item	Hobart Package Part #	Miller Package Part #
Contact Tips		
.030 in. (0.8 mm)	770177 (5 per package)	000067 (10 per package)
.035 in. (0.9 mm)	770180 (5 per package)	000068 (10 per package)
Replacement Drive Roll	212379R	212379
Tip Adapter	770402	169716
Liner	210970R	210970