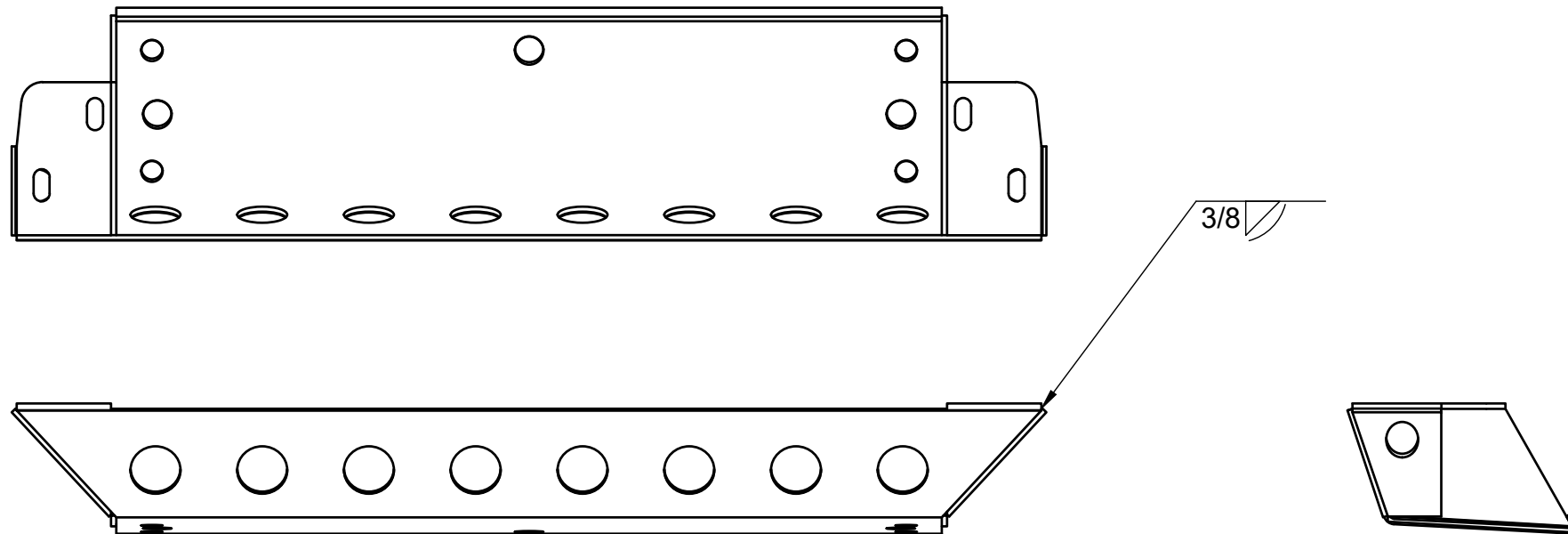




- ALL DIMENSIONS ARE IN INCHES UNLESS SHOWN OTHERWISE
- ALL OUTSIDE CORNER FILET WELDS ARE TO BE CONTINUOUS

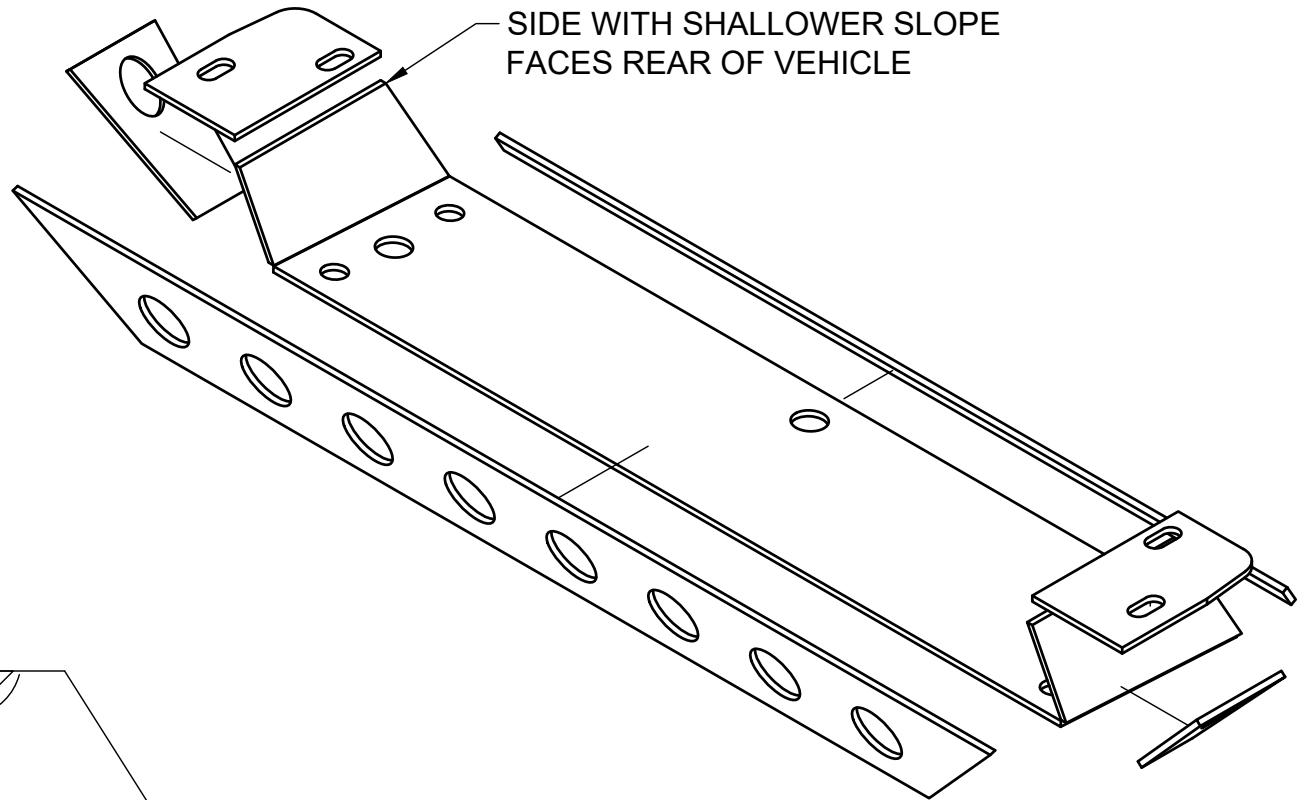


PROJECT  
**WJ**

TITLE  
**RAD SKID ASSEMBLY**

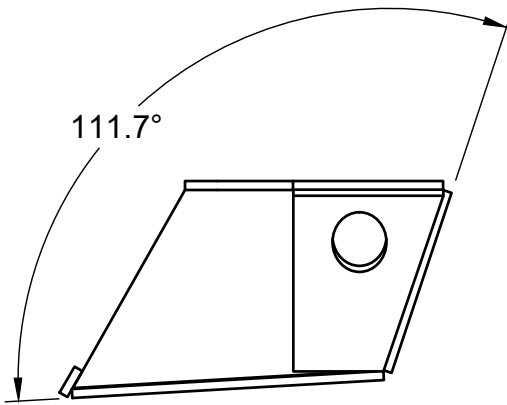
PROPERTY OF: D.TILLFABWORKS LLC		SIZE A	CODE	DWG NO	REV
DRAWN	DT	SCALE 1:6		WEIGHT	SHEET 1/2





1" STICH WELD EVERY 3"

3/8



FRONT OF VEHICLE

