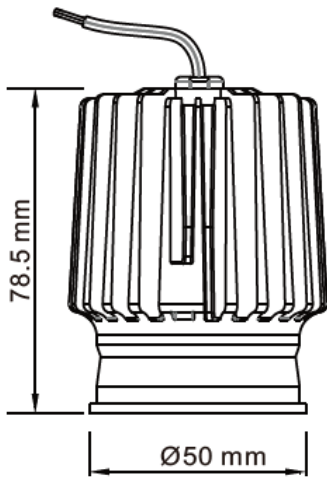


X15A 13 Watt Modular COB Down light Module



Power	13 Watts
Lumens	1200
Dimming	Triac
Beam Angle	60°
CRI	>83
IC-4	Yes
Frequency Flicker	None
Colour	3 CCT by dip switch
IP Rating	Subject to Mounting Trim
Cut out	Subject to Mounting trim
Mounting depth	Subject to Mounting Trim
Warranty	3 Years

240V AC VOLTAGE	13W POWER	1200 LUMENS	3CCT CCT	TRIAC DIMMING	60° BEAM
RECESS MOUNTING	50 FACE SIZE	3 YEARS WARRANTY	>83 CRI	FLICKER FREE DRIVER	



Please check table below for IP Rating, Cut out and Mounting Depth

Table for mounting depths for all Trims when used with X15A (13W) Modular COB light

Surface Mount Trim Model	Fixed or Adjustable	IP Rating	Cut Out Size	Face Size	Mounting depth Required
RF1	Fixed	IP44	70-75 mm	90 mm	88 mm
RF2	Fixed	IP44	89-90 mm	100 mm	118 mm
RA3	Adjustable	IP20	90 mm	105 mm	109 mm
RF4	Fixed	IP44	70-75 mm	90 mm	88 mm
RA4	Adjustable	IP44	80 mm	90 mm	126 mm
RF6	Fixed	IP20	89-90 mm	100 mm	112 mm
RA6	Adjustable	IP20	90 mm	105 mm	101 mm
RF7	Fixed	IP44	90 mm	110 mm	81 mm
RF8	Fixed	IP20	70-75 mm	84 mm	101 mm
RA8	Adjustable	IP20	80 mm	89 mm	118 mm
RF11	Fixed	IP20	89-90 mm	110 mm	104 mm
RF12	Fixed	IP20	89-90 mm	100 mm	112 mm
RF22	Fixed	IP20	70-90 mm	120 mm	94 mm
RF36	Fixed	IP20	89-90 mm	100 mm	112 mm
SQ17	Fixed	IP20	75 x 75 mm	85 x 85 mm	104 mm
SQ1	Adjustable	IP20	90 x 90 mm	100 x 100 mm	104 mm
SQ2	Adjustable	IP20	90 x 170 mm	100 x 185 mm	104 mm
SQ3	Adjustable	IP20	90 x 250 mm	100 x 270 mm	104 mm

Warning: When 90 mm is recommended cut out size, it's very important not to use a 92mm hole saw. In most cases, The trim may not be able to cover a 92mm cut out.