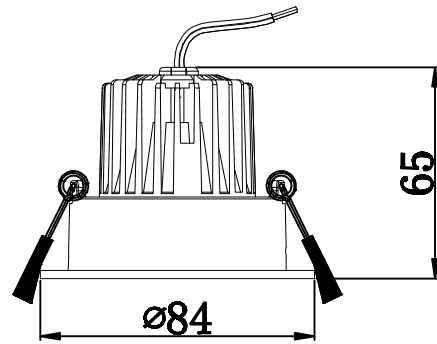
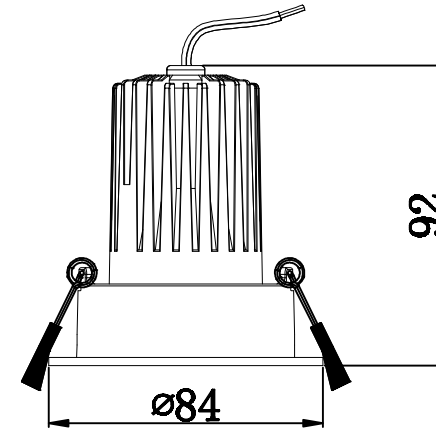


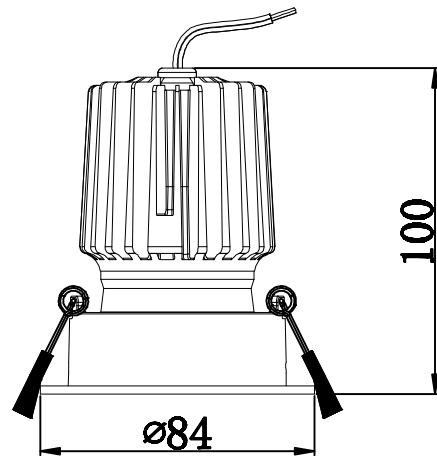
# RF8



CUT OUT 70-75mm  
X2A+RF8



CUT OUT 70-75mm  
X3A+RF8



CUT OUT 70-75mm  
X15A+RF8