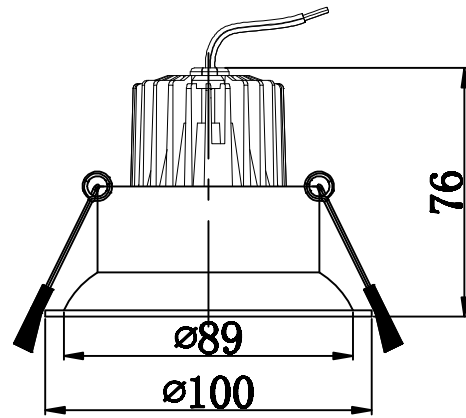
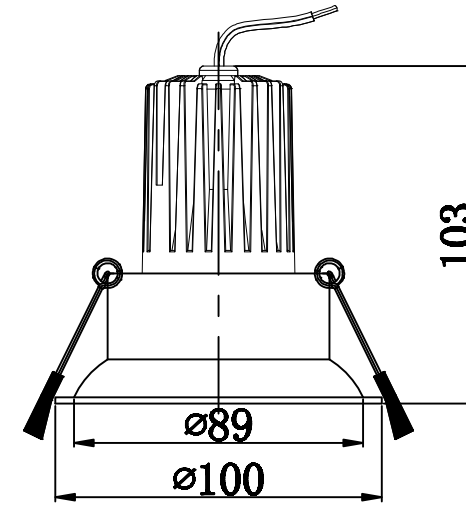


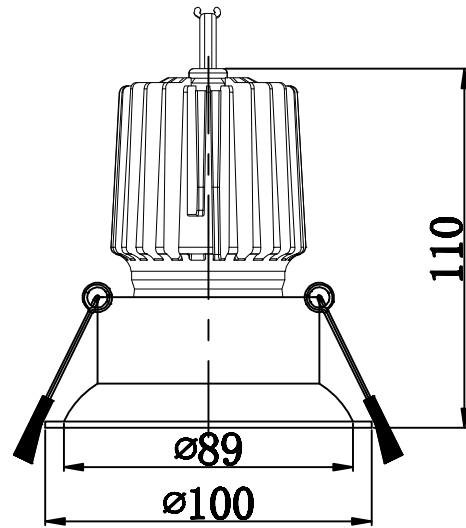
# RF6



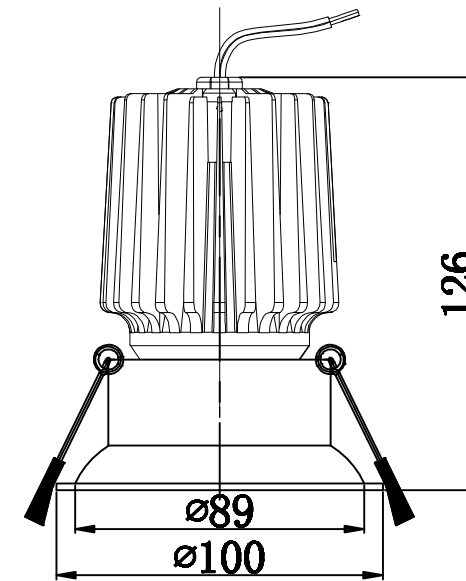
CUT OUT 90mm  
X2A+RF6



CUT OUT 90mm  
X3A+RF6



CUT OUT 90mm  
X15A+RF6



CUT OUT 90mm  
X20A+RF6