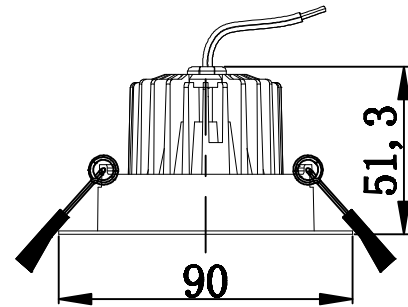
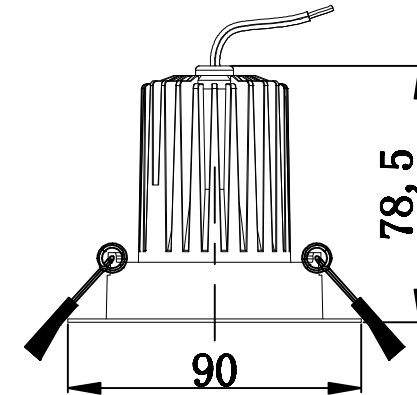


RF4



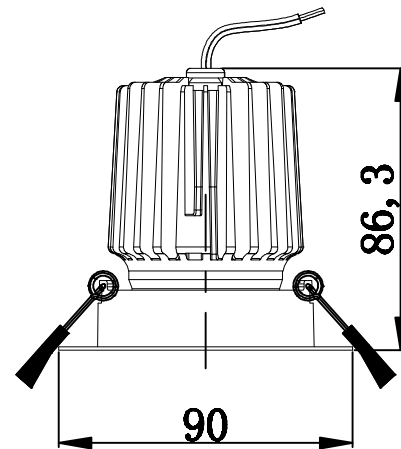
CUT OUT ø70mm

X2A+RF4



CUT OUT ø70mm

X3A+RF4



CUT OUT ø70mm

X15A+RF4