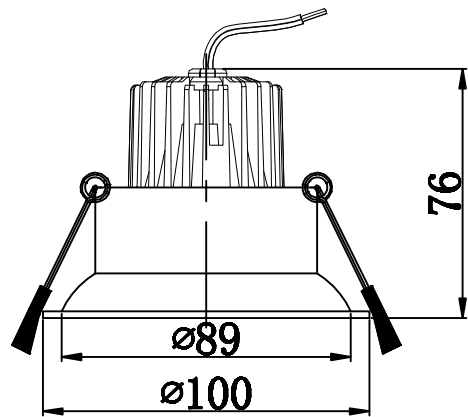
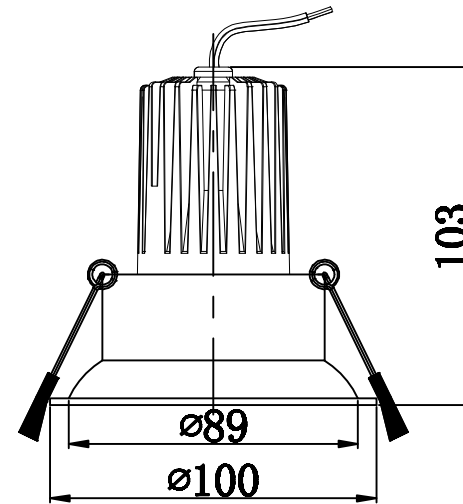


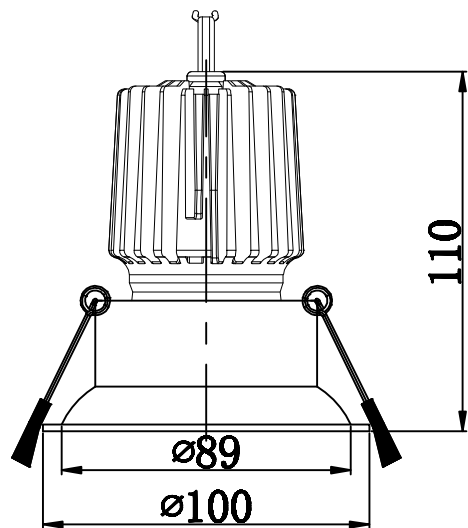
RF12



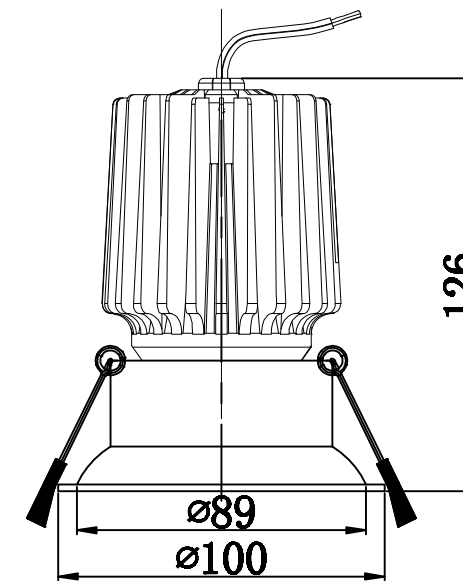
CUT OUT 90mm
X2A+RF12



CUT OUT 90mm
X3A+RF12



CUT OUT 90mm
X15A+RF12



CUT OUT 90mm
X20A+RF12