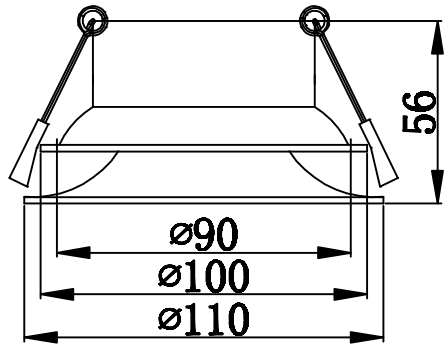
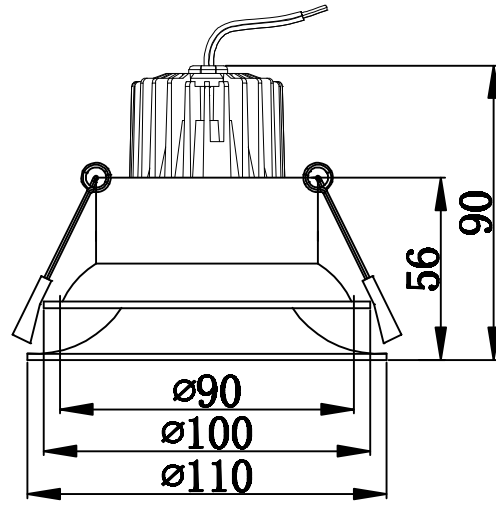


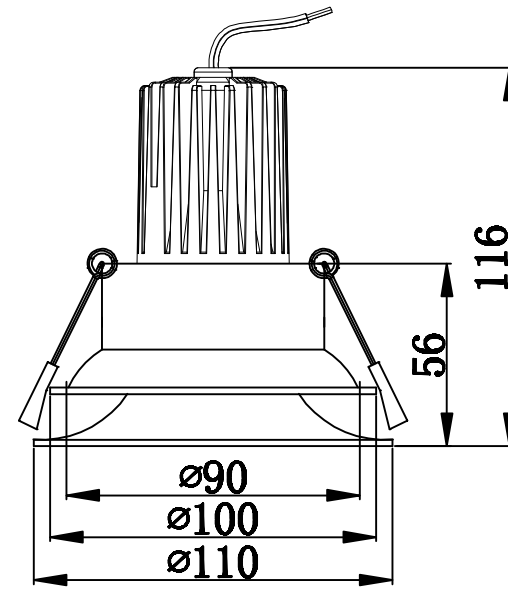
# RF11



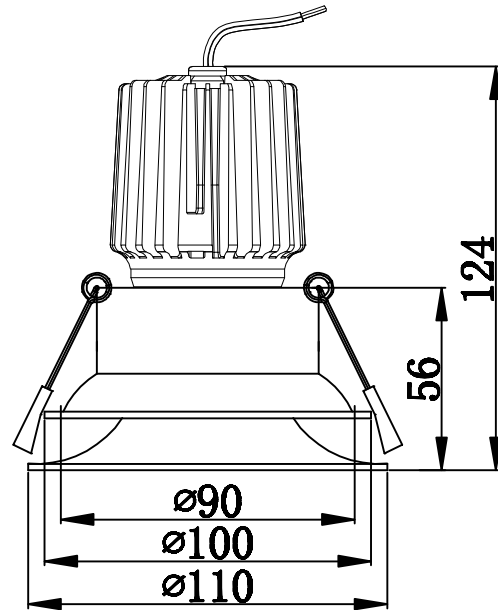
CUT OUT 90mm  
RF11



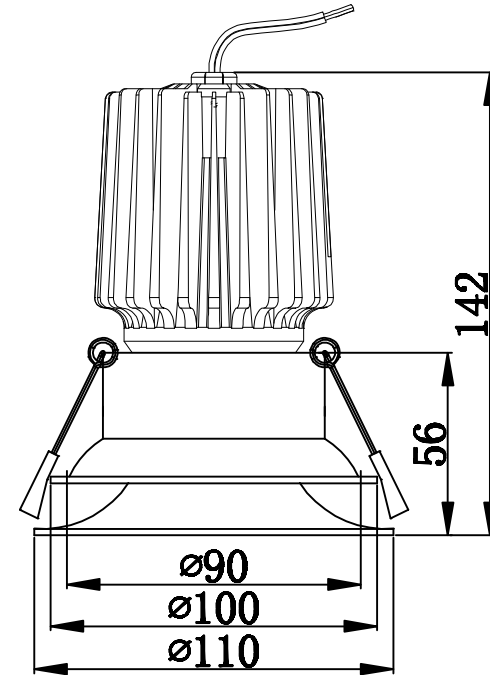
CUT OUT 90mm  
X2A+RF11



CUT OUT 90mm  
X3A+RF11



CUT OUT 90mm  
X15A+RF11



CUT OUT 90mm  
X20A+RF11