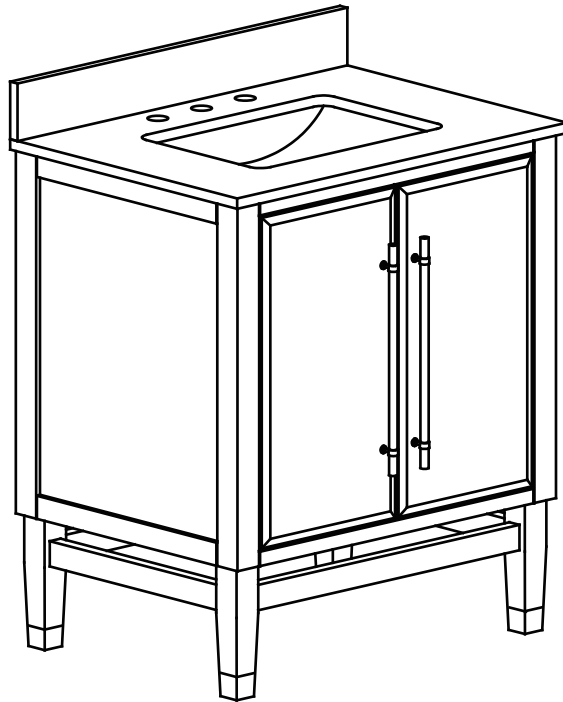




TENNANT BRAND
MINDFUL DESIGN

ASSEMBLY GUIDE

Q164-V30/Q169-V30



**Questions, Problems, Missing Parts? Before Returning To The Store,
Call Customer Service
8 A.M. - 7 P.M., EST, Monday-friday, 9 A.M. To 6 P.M. EST, Saturday**

1-305-224-1991

TENNANTBRAND.COM

Pre-Assembly (continued)

HARDWARE INCLUDED



NOTE: Hardware not shown to actual size.



1



2



3



4



5



6



7



8

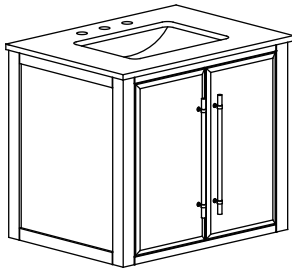


9

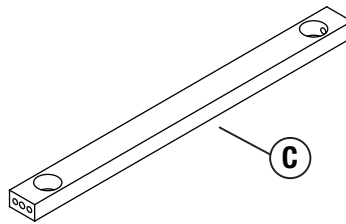
Part	Description	Quantity
1	Bolt (20mm)	12+2
2	Bolt (63mm)	4
3	Gasket	4
4	Gasket	12+2
5	Metal Washer	12+2
6	Nut	4
7	Wood dowel	8
8	Wrench	1
9	Allen key	1

Pre-Assembly (continued)

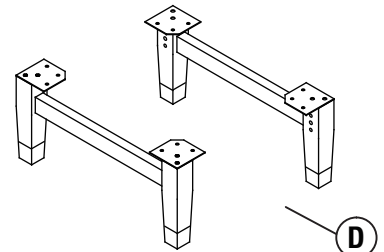
PACKAGE CONTENTS



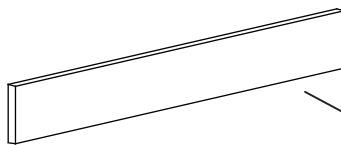
A



C



D

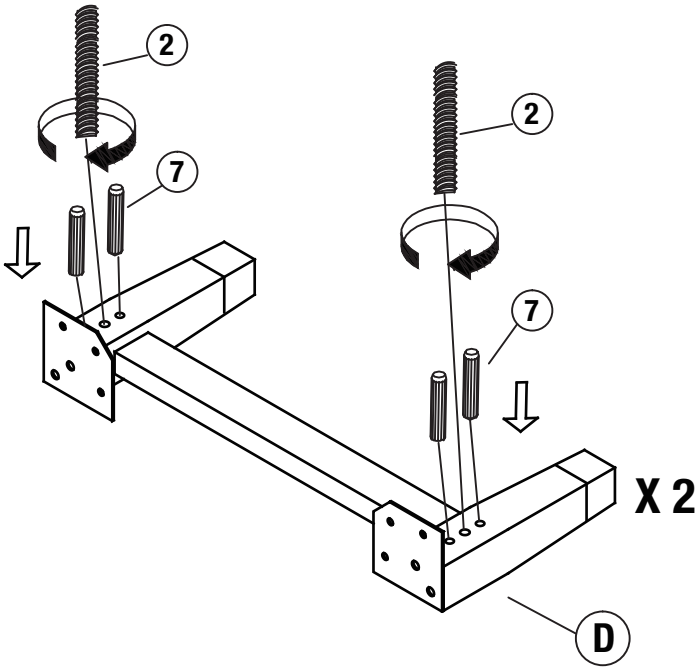


B

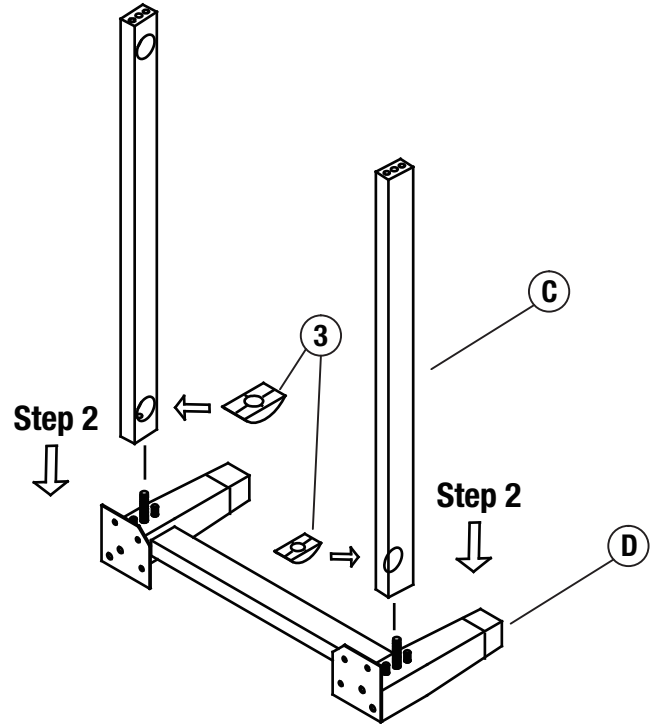
Part	Description	Quantity
A	Cabinet body	1
B	Backsplash	1
C	Bottom 1	2
D	Bottom 2	2

Assembly (continued)

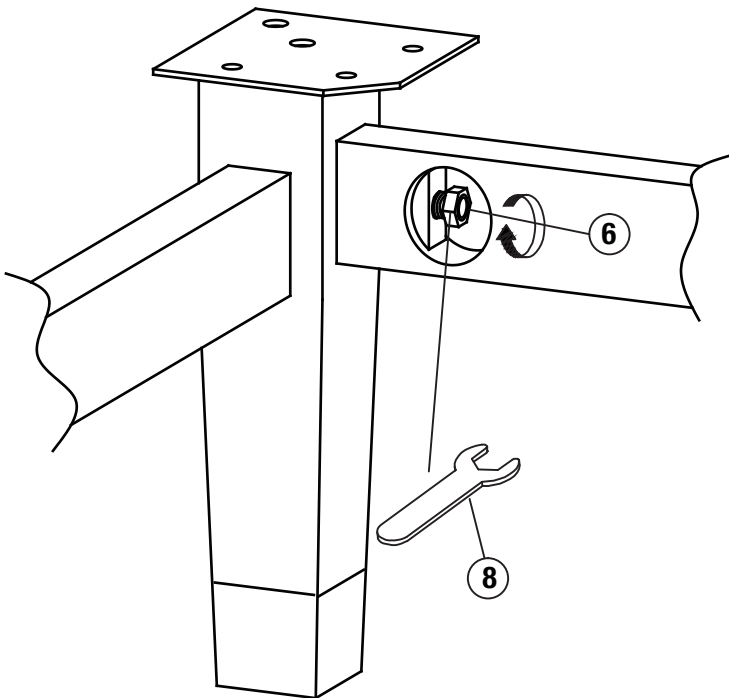
1 Installing the bottom and leg



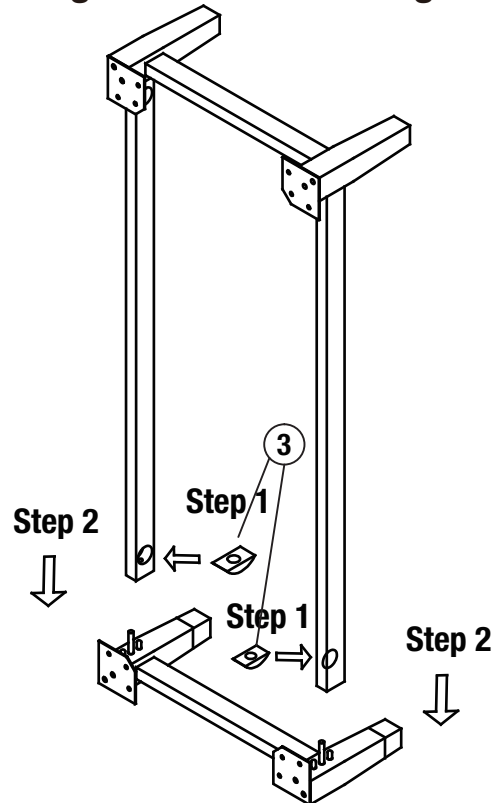
2 Installing the bottom and leg



3 Installing the bottom and leg

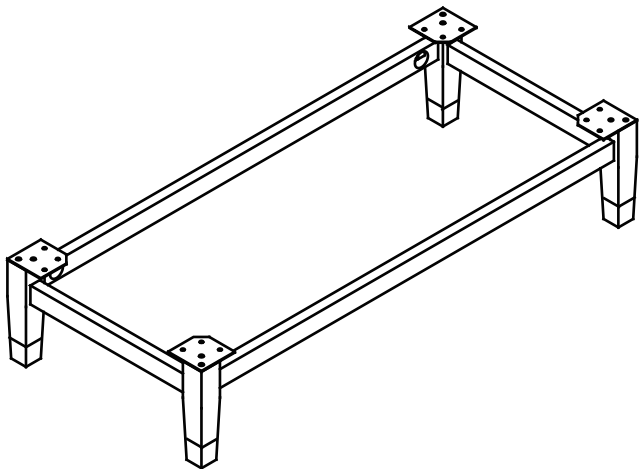


4 Installing the bottom and leg

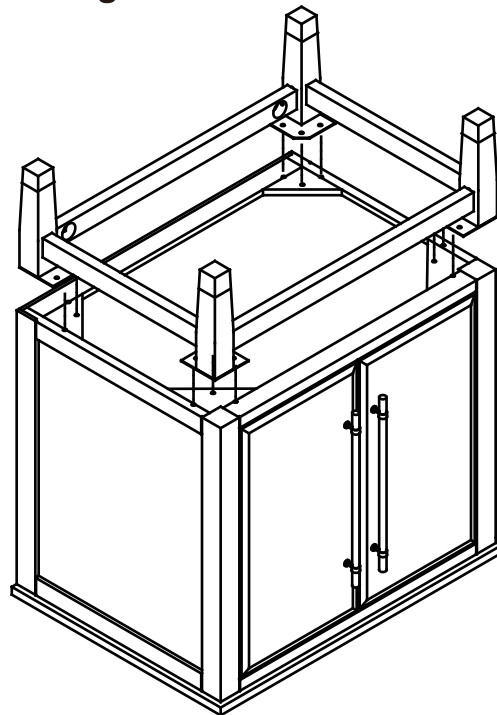


Assembly (continued)

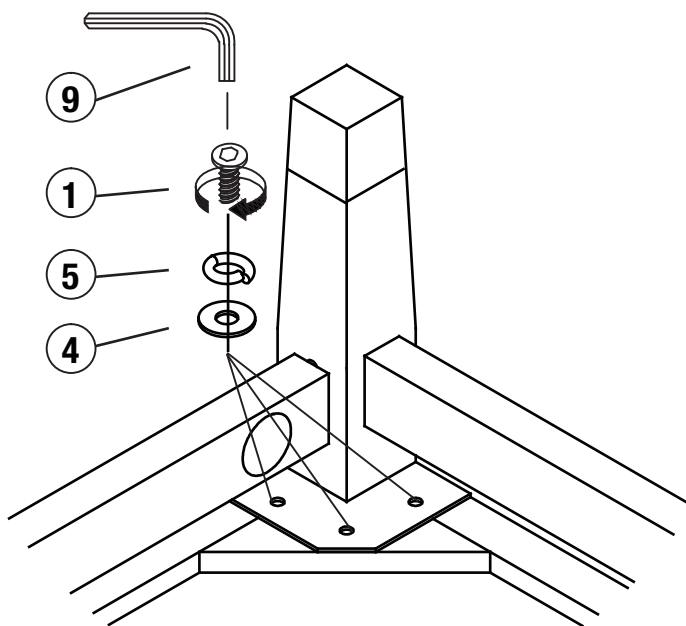
5 Installing the cabinet



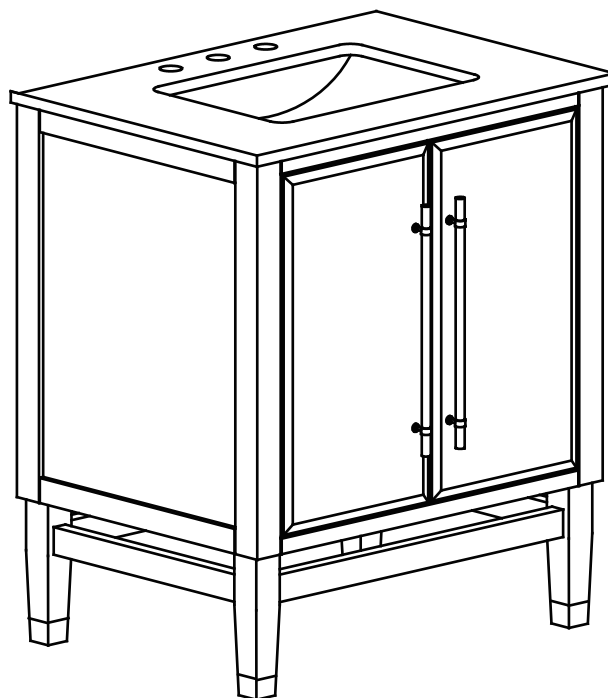
6 Installing the cabinet



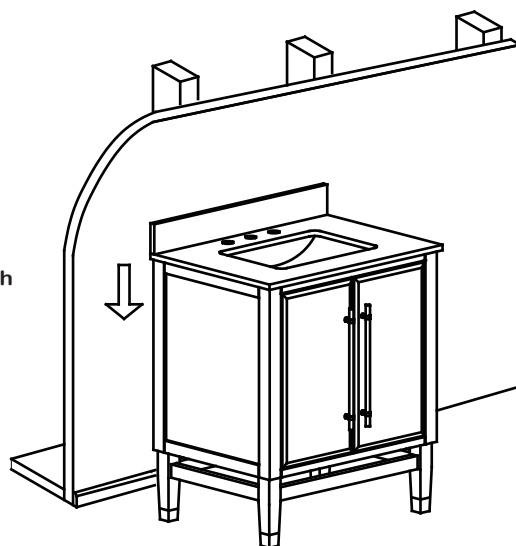
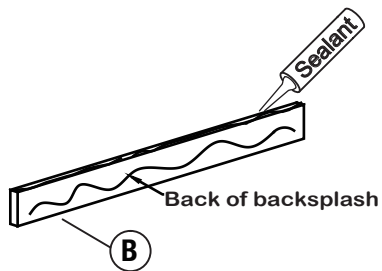
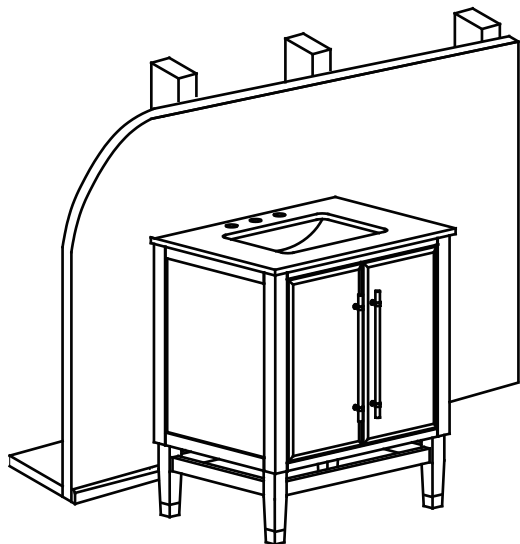
7 Installing the cabinet



8 Installing the cabinet



9 Installing the BackSpalsh





TENNANT BRAND
MINDFUL DESIGN

**Questions, problems, missing parts? Before returning to the store,
call Customer Service**

8 a.m. - 7 p.m., EST, Monday-Friday, 9 a.m. - 6 p.m. Saturday

1-305-224-1991

TENNANTBRAND.COM

Retain this manual for future use.