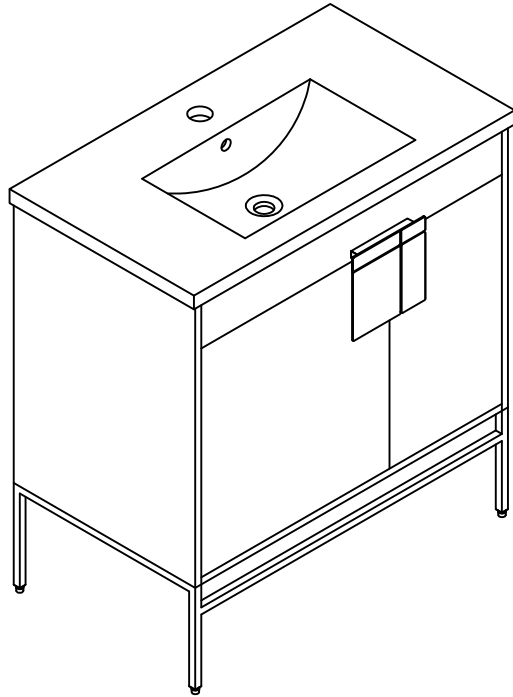


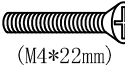
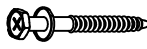




Assembly Instruction

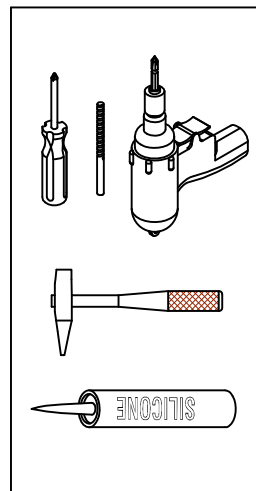
Item No. :CL-102DG-24ZI



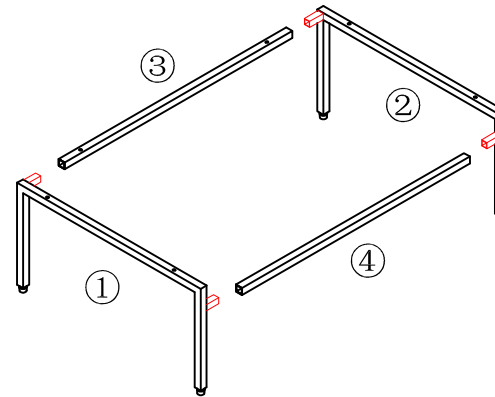
Hardware

NO.	Draw	QTY
A	 (M5*12mm)	8
B	 (4*14mm)	6
C	 (M4*22mm)	8
D		2
E		2
F		2

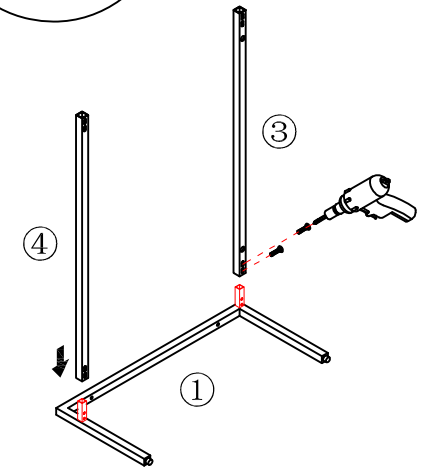
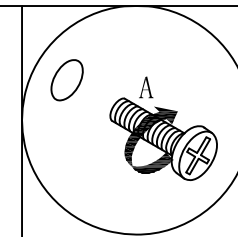
Tools



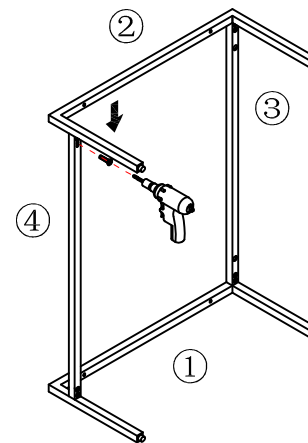
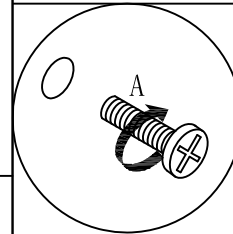
Step 1



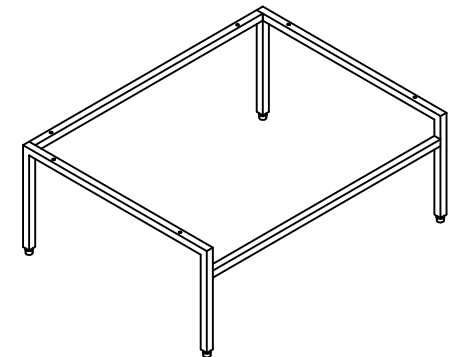
Step 2



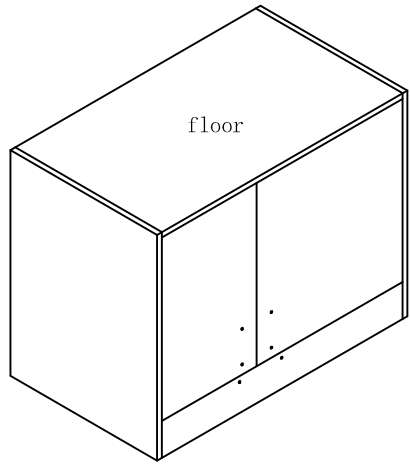
Step 3



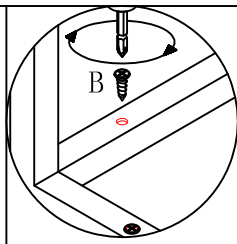
Step 4



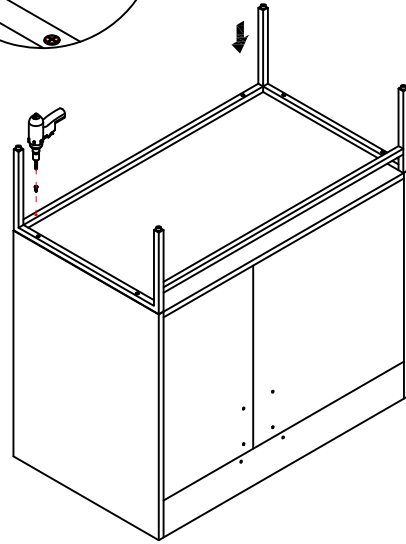
Step 5



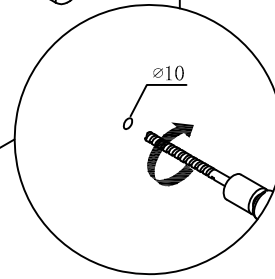
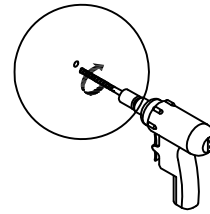
Cabinet handstand



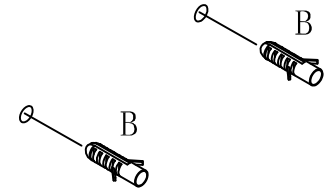
Step 6



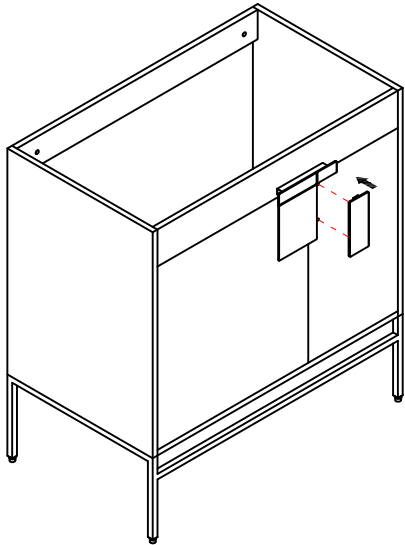
Step 9



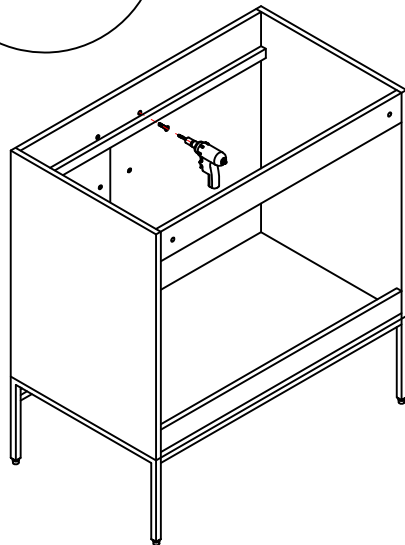
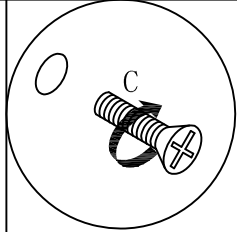
Step 10



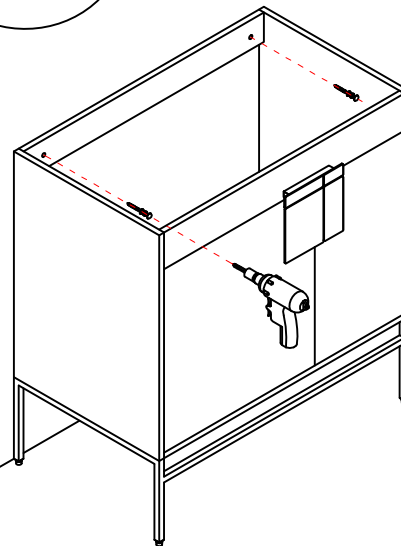
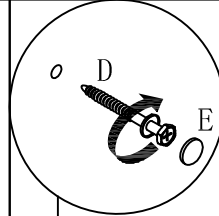
Step 7



Step 8



Step 11



Finished

