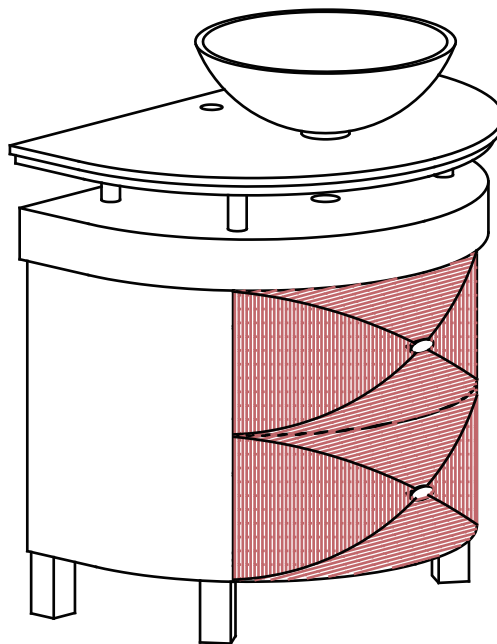




ASSEMBLY GUIDE

BWV-026-32



Questions, Problems, Missing Parts? Before Returning To The Store,

Call Customer Service

Bentom Collection HOURS: 10-6 PM Monday to Friday

1-305-224-1991

Email address: chansfurniture@aol.com

Pre-Assembly (continued)

HARDWARE INCLUDED



NOTE: Hardware not shown to actual size.

Part	Description	Quantity
①	Bolt (45mm)	4+2
②	Bolt (20mm)	8+2
③	Allen key	1
④	Gasket	12+2
⑤	Metal Washer	12+2



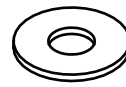
①



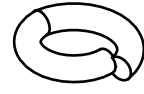
②



③



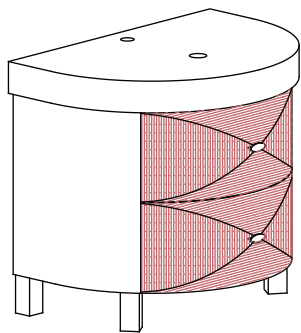
④



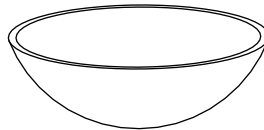
⑤

Pre-Assembly (continued)

PACKAGE CONTENTS



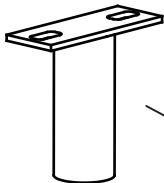
Ⓐ



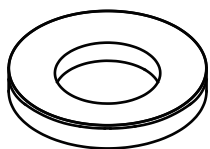
Ⓑ



Ⓒ



Ⓓ

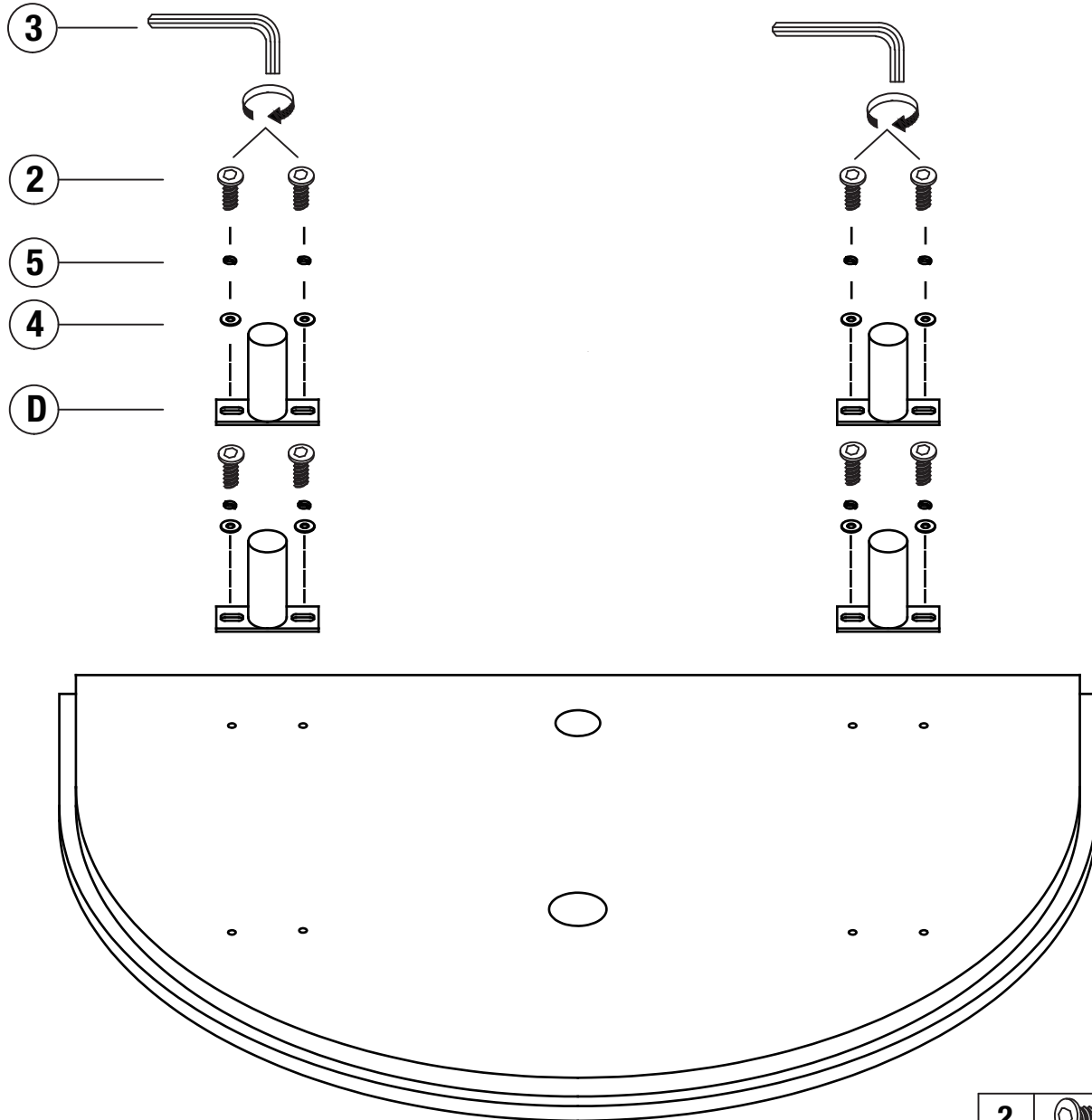






Ⓔ

Part	Description	Quantity
Ⓐ	Cabinet body	1
Ⓑ	Sink	1
Ⓒ	Top	1
Ⓓ	Part	4
Ⓔ	Pad	1

Assembly (continued)

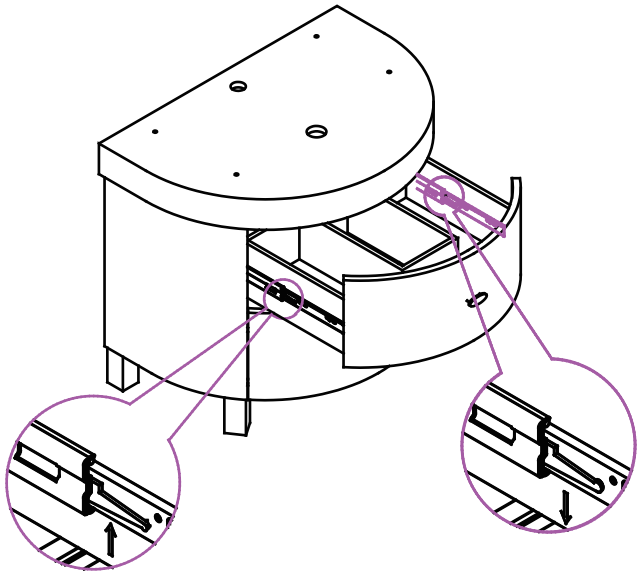
1 Installing the cabinet



2		x8
4		x8
5		x8
D		x4

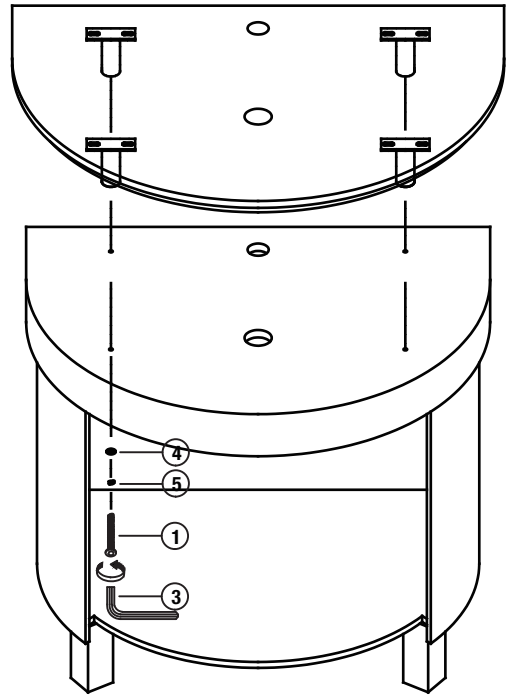
Assembly (continued)

2 Installing the cabinet

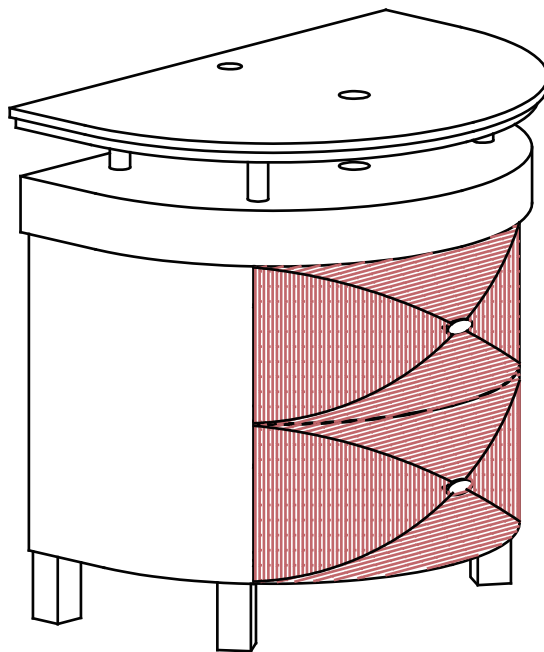


Pull the right clip upward and left clip downward at the same time, then draw the drawer box out.

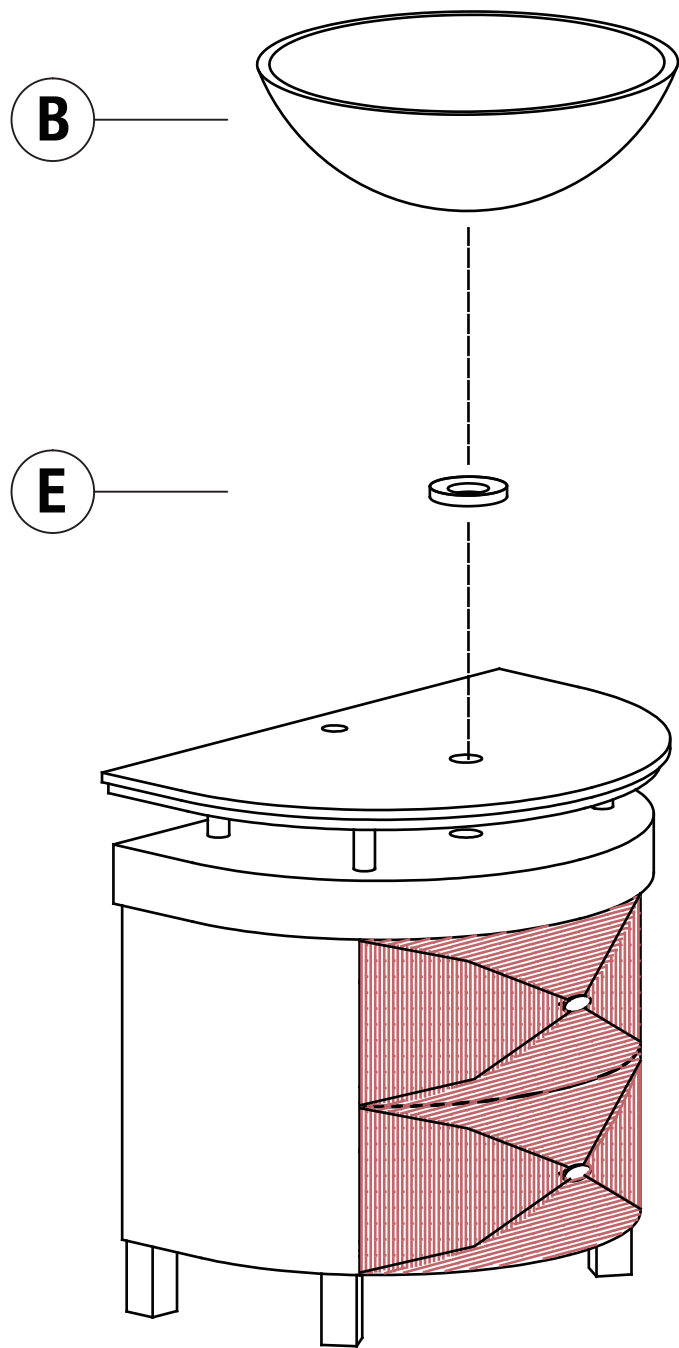
3 Installing the cabinet



4 Installing the cabinet



5 Installing the Sink





**Questions, problems, missing parts? Before returning to the store,
call Customer Service**

Bentom Collection HOURS: 10-6 PM Monday to Friday

1-305-224-1991

Email address: chansfurniture@aol.com

Retain this manual for future use.