

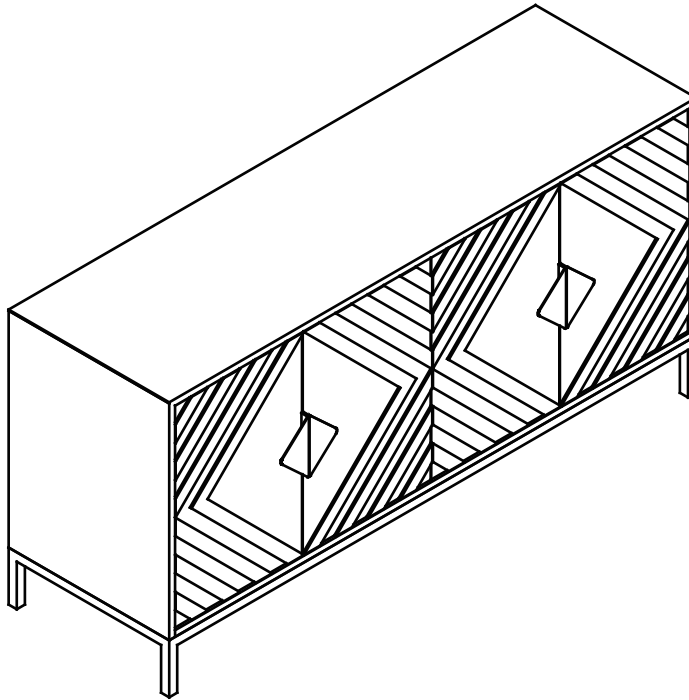


**TENNANT BRAND**  
MINDFUL DESIGN

---

## **ASSEMBLY GUIDE**

**488-NB244/488-WT227**



**Questions, Problems, Missing Parts? Before Returning To The Store,  
Call Customer Service  
8 A.M. - 7 P.M., EST, Monday-friday, 9 A.M. To 6 P.M. EST, Saturday**

**1-305-224-1991**

**TENNANTBRAND.COM**

---



# Pre-Assembly (continued)

## HARDWARE INCLUDED

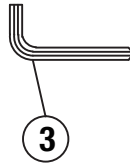
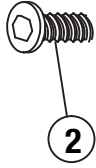
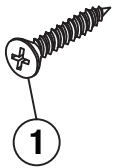


NOTE: Hardware not shown to actual size.

## SUGGESTED TOOLS AND MATERIALS



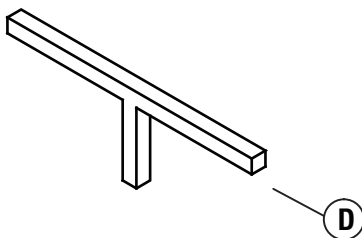
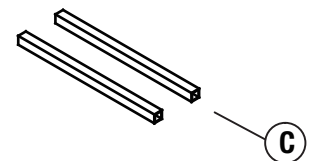
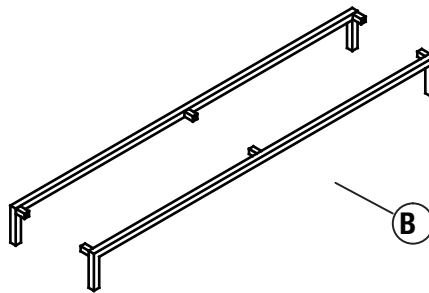
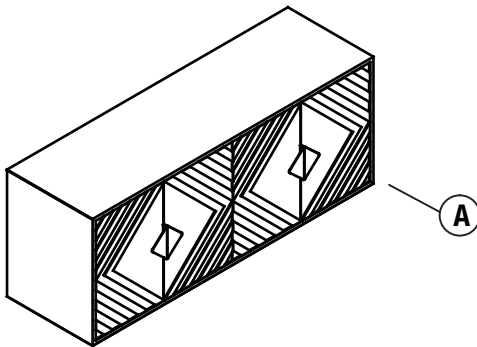
Sealant



Part	Description	Quantity
①	Flat head screw	12+2
②	Bolt	12+2
③	Allen key	1

# Pre-Assembly (continued)

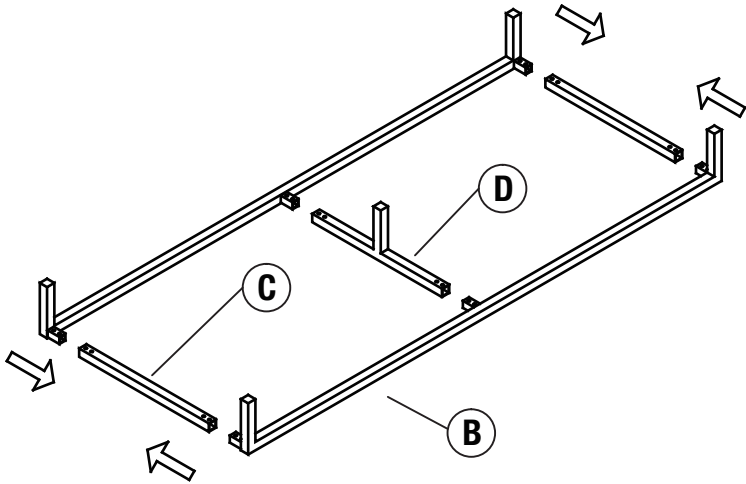
## PACKAGE CONTENTS



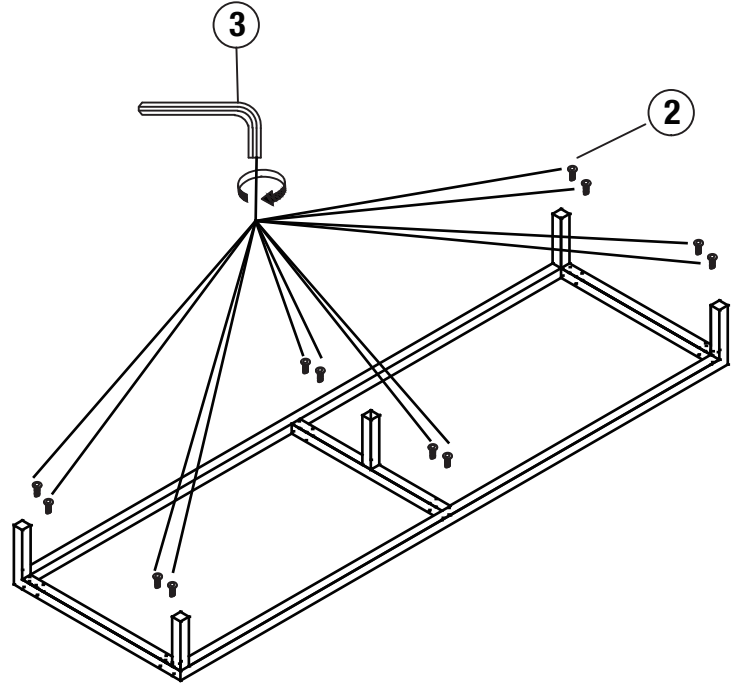
Part	Description	Quantity
Ⓐ	Cabinet body	1
Ⓑ	Bottom 1	2
Ⓒ	Bottom 2	2
Ⓓ	Bottom 3	1

# Assembly (continued)

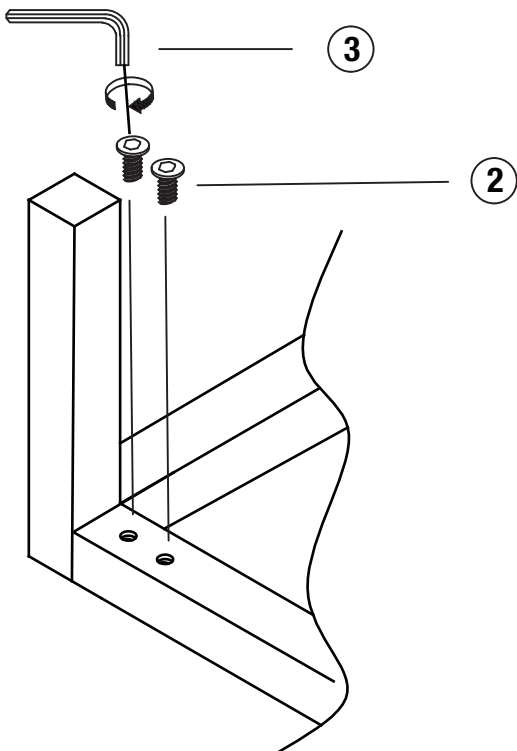
## 1 Installing the bottom and leg



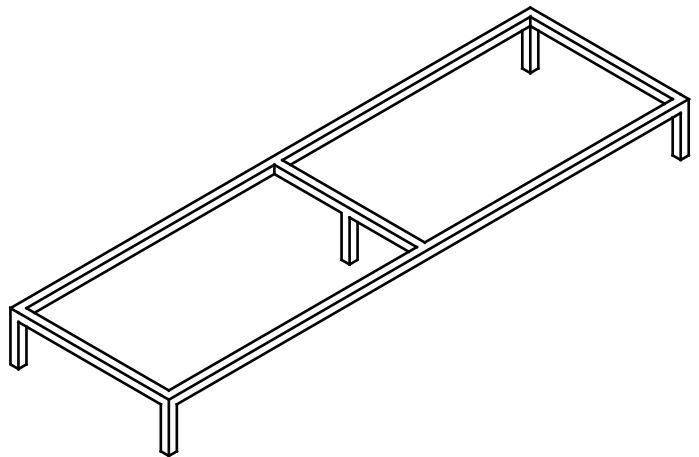
## 2 Installing the bottom and leg



## 3 Installing the bottom and leg

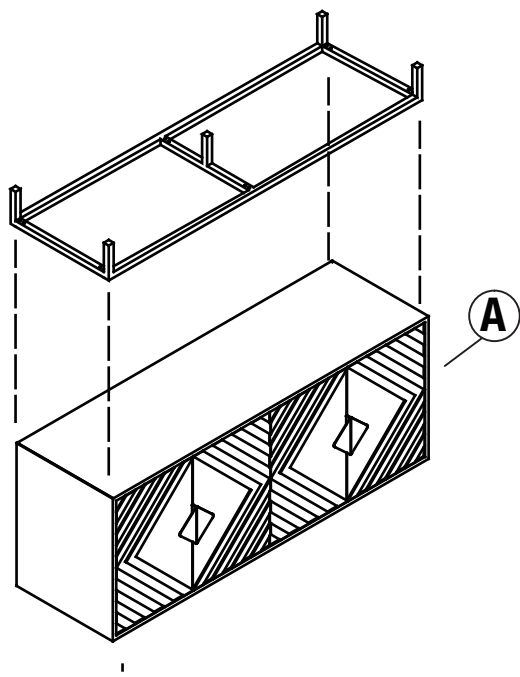


## 4 Installing the bottom and leg

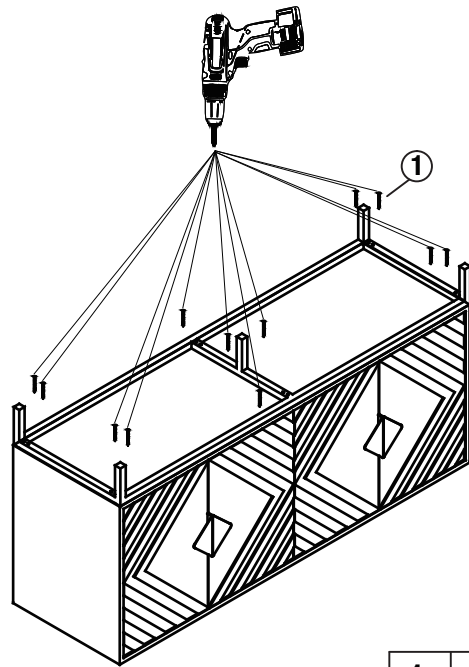


# Assembly (continued)

## 5 Installing the cabinet

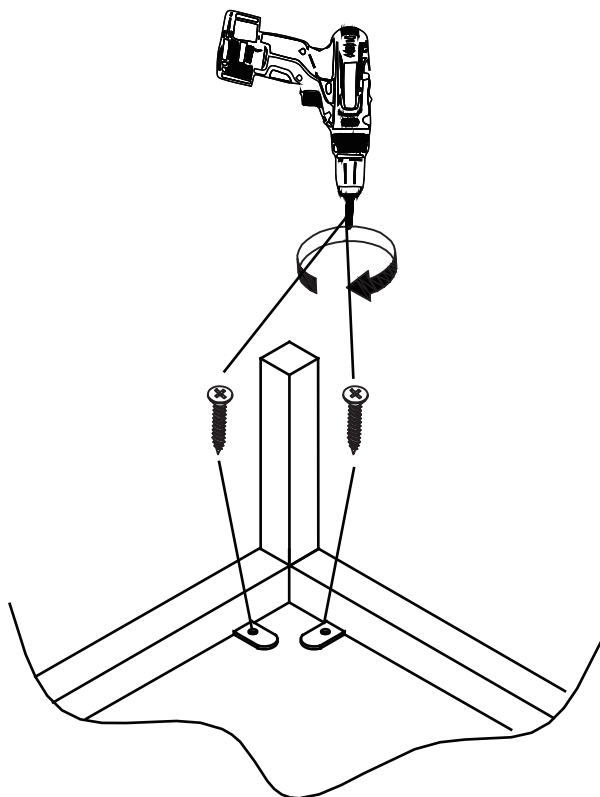


## 6 Installing the cabinet

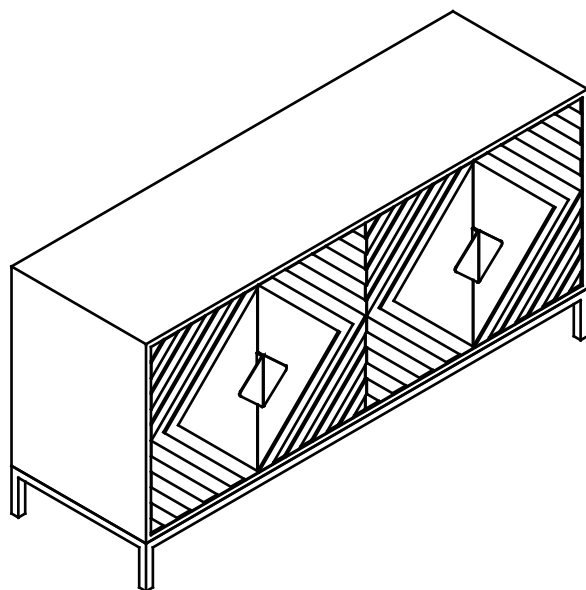


1		x12
---	---	-----

## 7 Installing the cabinet



## 8 Installing the cabinet





**TENNANT BRAND**  
MINDFUL DESIGN

**Questions, problems, missing parts? Before returning to the store,  
call Customer Service**

**8 a.m. - 7 p.m., EST, Monday-Friday, 9 a.m. - 6 p.m. Saturday**

**1-305-224-1991**

**TENNANTBRAND.COM**

**Retain this manual for future use.**