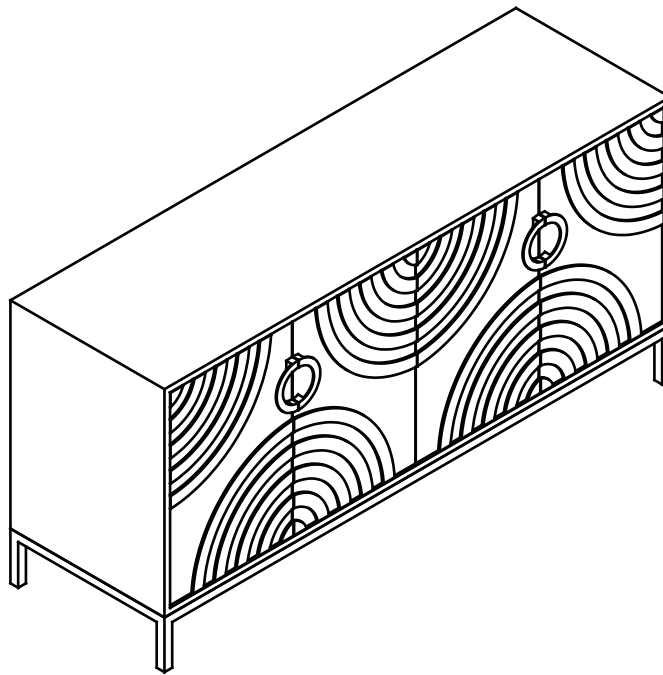




TENNANT BRAND
MINDFUL DESIGN

ASSEMBLY GUIDE

328-NB402/328-WT472



**Questions, Problems, Missing Parts? Before Returning To The Store,
Call Customer Service
8 A.M. - 7 P.M., EST, Monday-friday, 9 A.M. To 6 P.M. EST, Saturday**

1-305-224-1991

TENNANTBRAND.COM

Pre-Assembly (continued)

HARDWARE INCLUDED

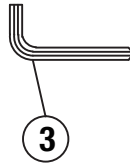
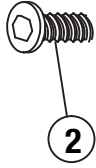
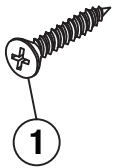


NOTE: Hardware not shown to actual size.

SUGGESTED TOOLS AND MATERIALS



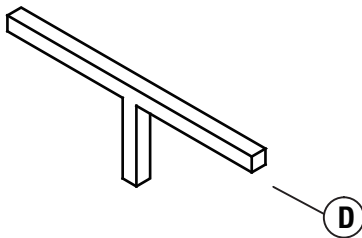
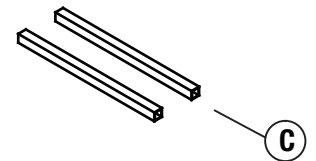
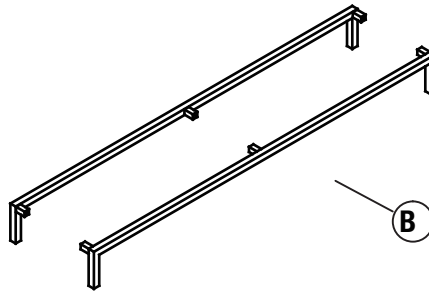
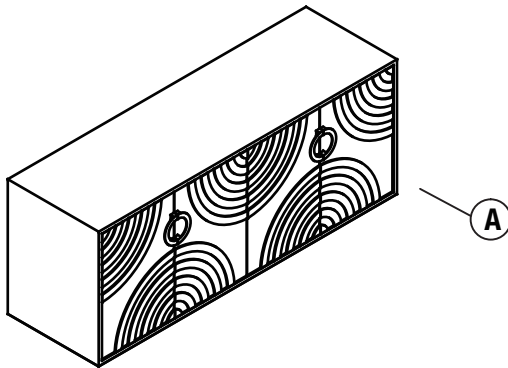
Sealant



Part	Description	Quantity
①	Flat head screw	12+2
②	Bolt	12+2
③	Allen key	1

Pre-Assembly (continued)

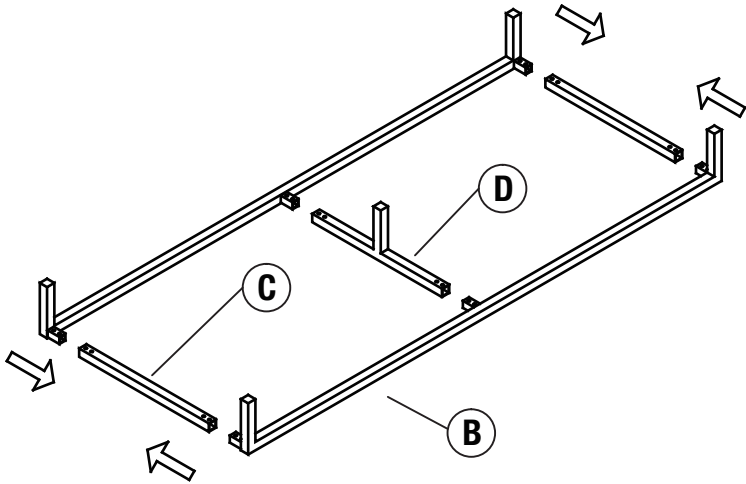
PACKAGE CONTENTS



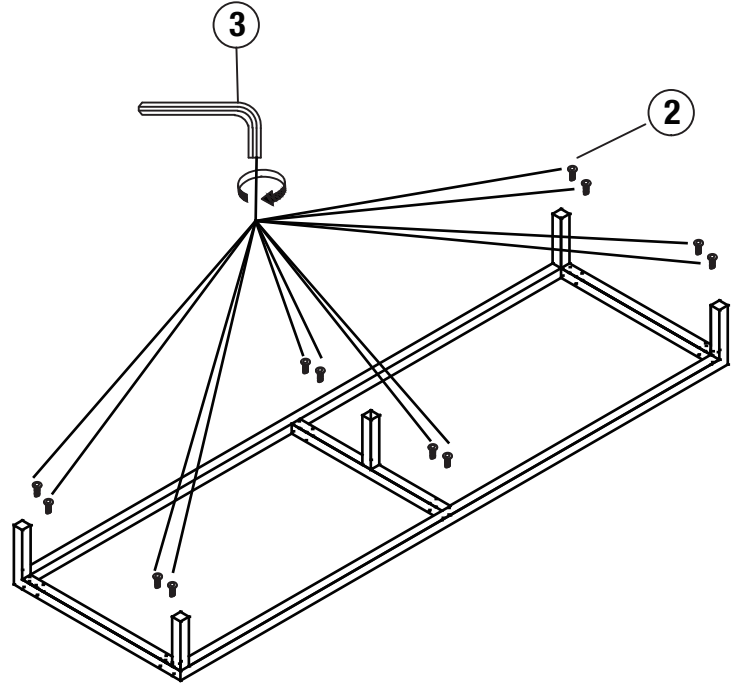
Part	Description	Quantity
Ⓐ	Cabinet body	1
Ⓑ	Bottom 1	2
Ⓒ	Bottom 2	2
Ⓓ	Bottom 3	1

Assembly (continued)

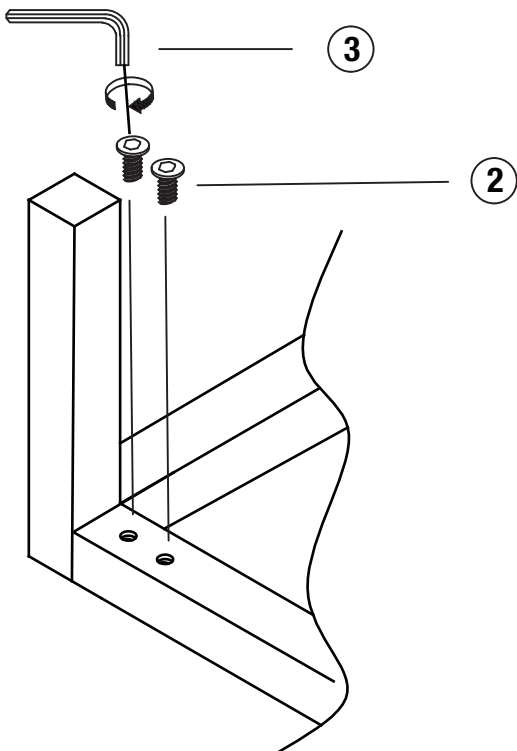
1 Installing the bottom and leg



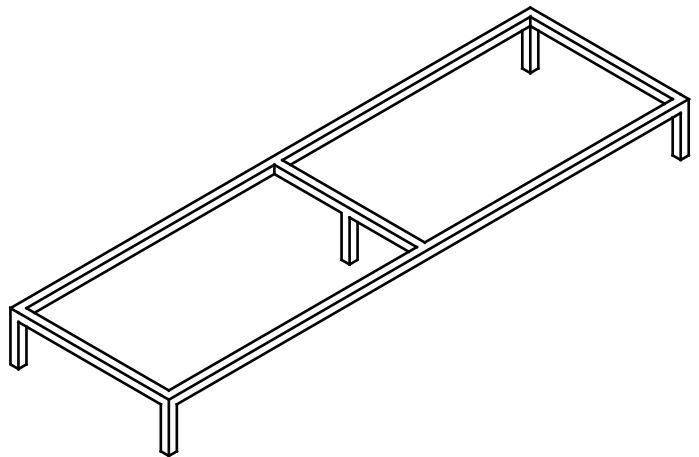
2 Installing the bottom and leg



3 Installing the bottom and leg

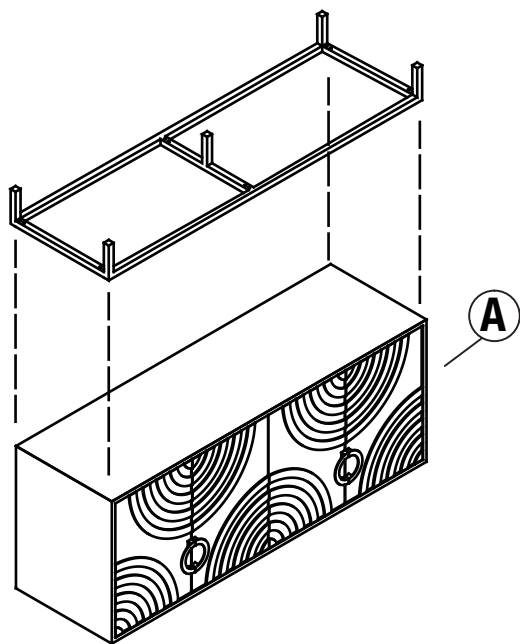


4 Installing the bottom and leg

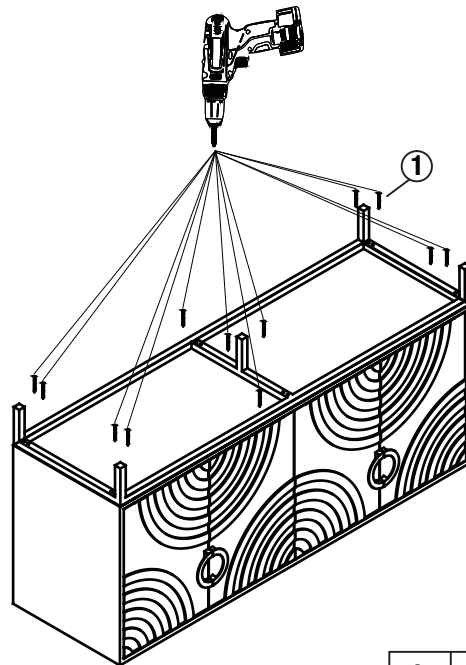


Assembly (continued)

5 Installing the cabinet

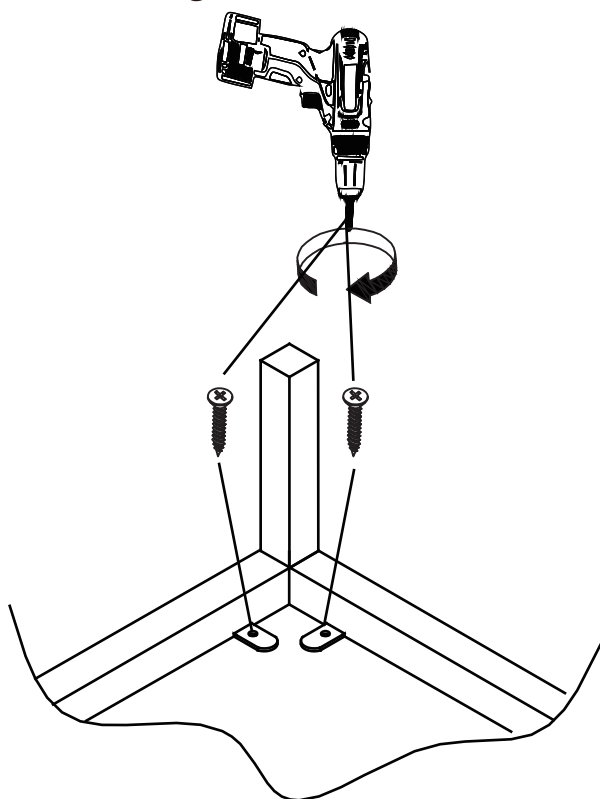


6 Installing the cabinet

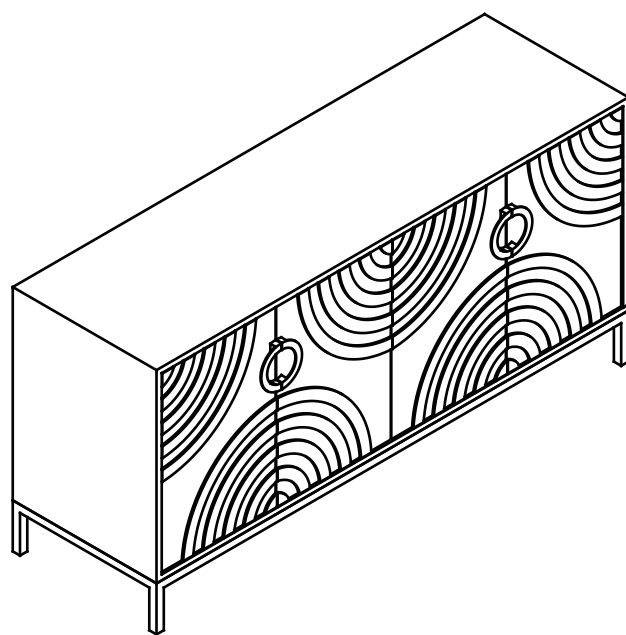


1		x12
---	---	-----

7 Installing the cabinet



8 Installing the cabinet





TENNANT BRAND
MINDFUL DESIGN

**Questions, problems, missing parts? Before returning to the store,
call Customer Service**

8 a.m. - 7 p.m., EST, Monday-Friday, 9 a.m. - 6 p.m. Saturday

1-305-224-1991

TENNANTBRAND.COM

Retain this manual for future use.