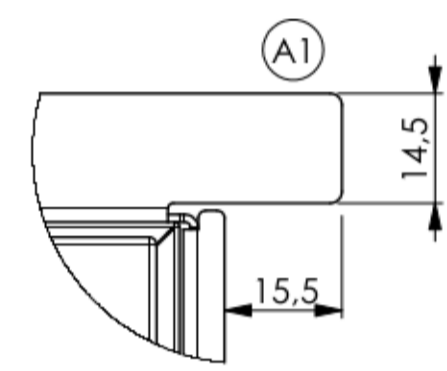
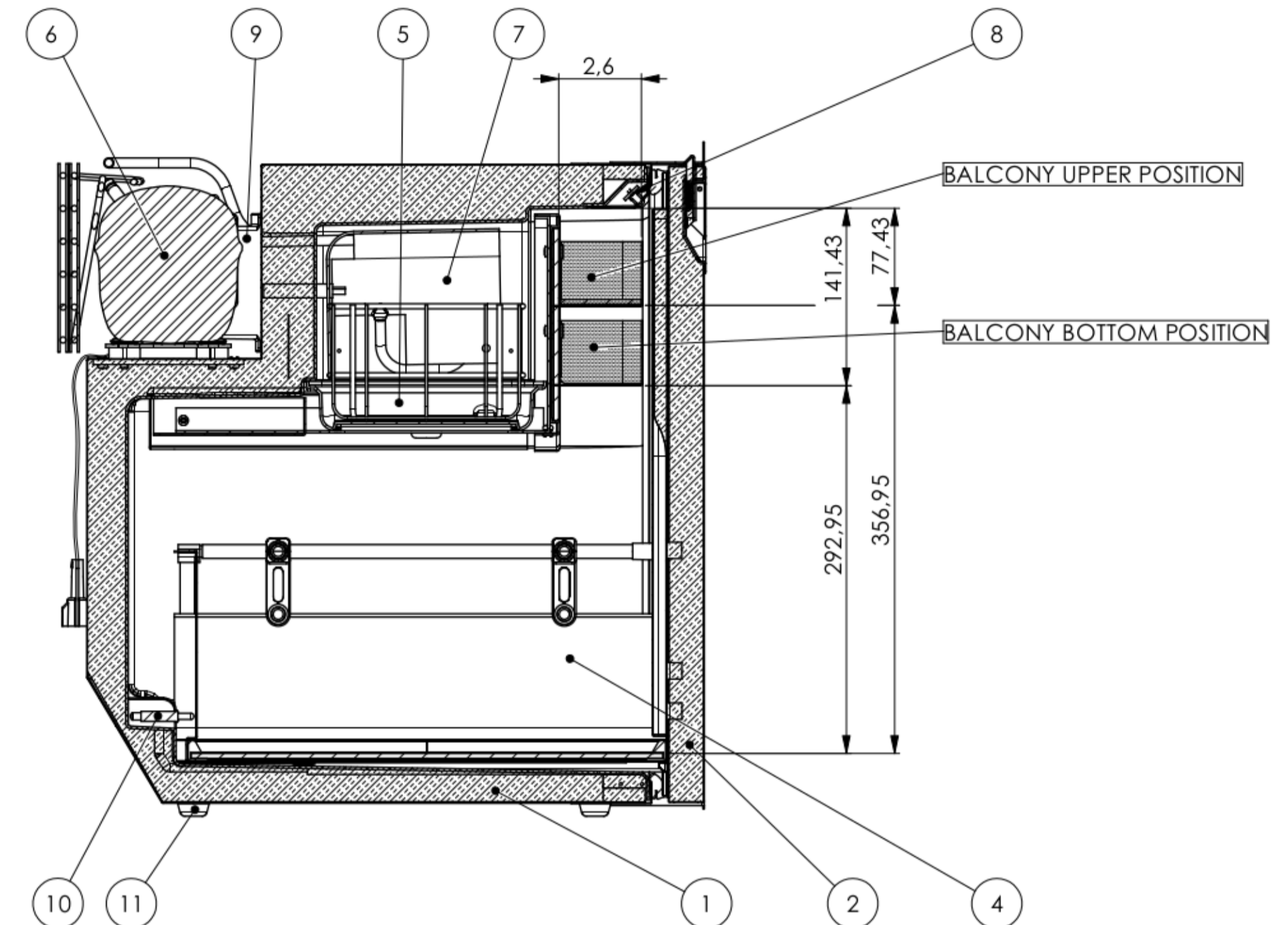
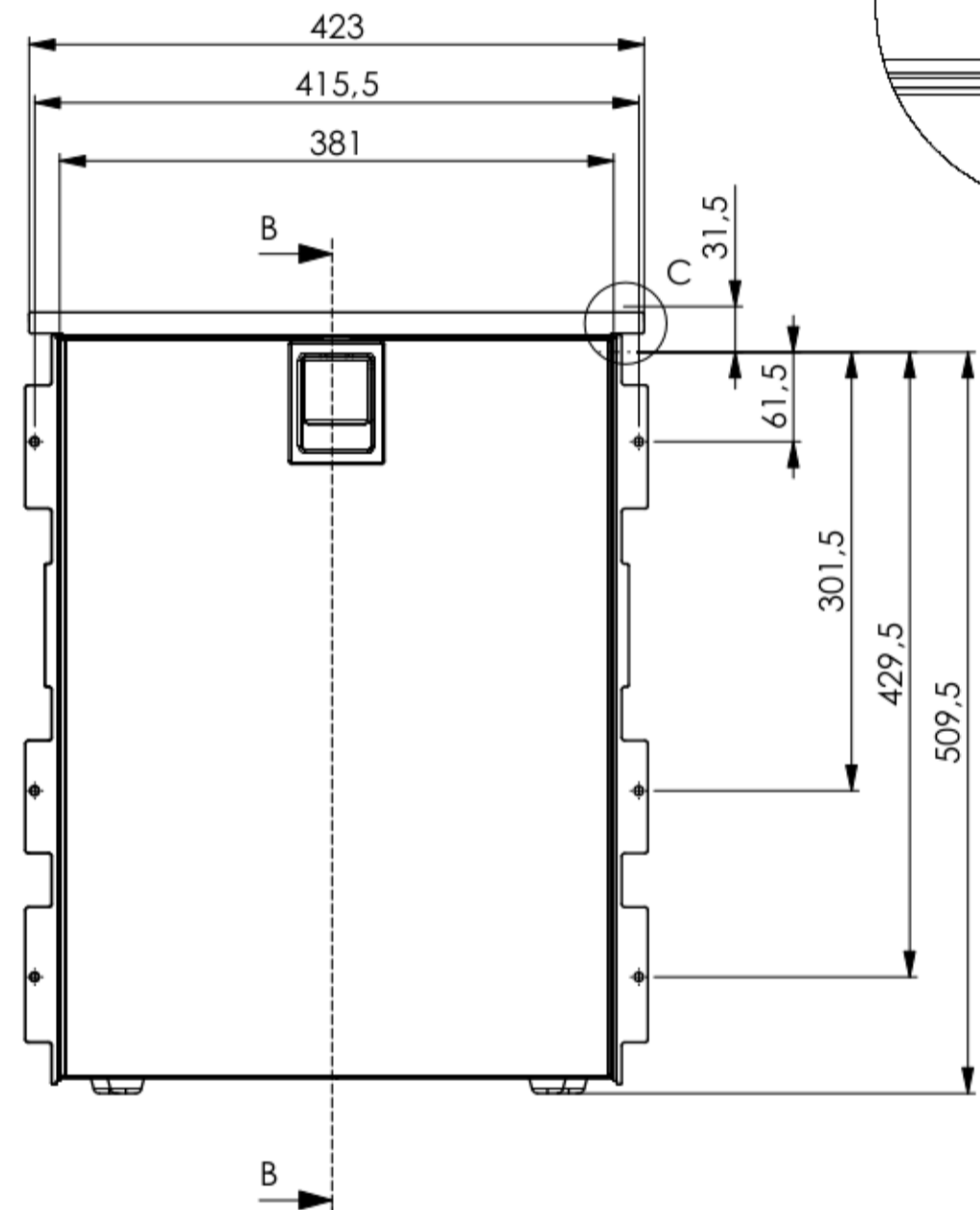


MOVABLE SHELF DIVIDER

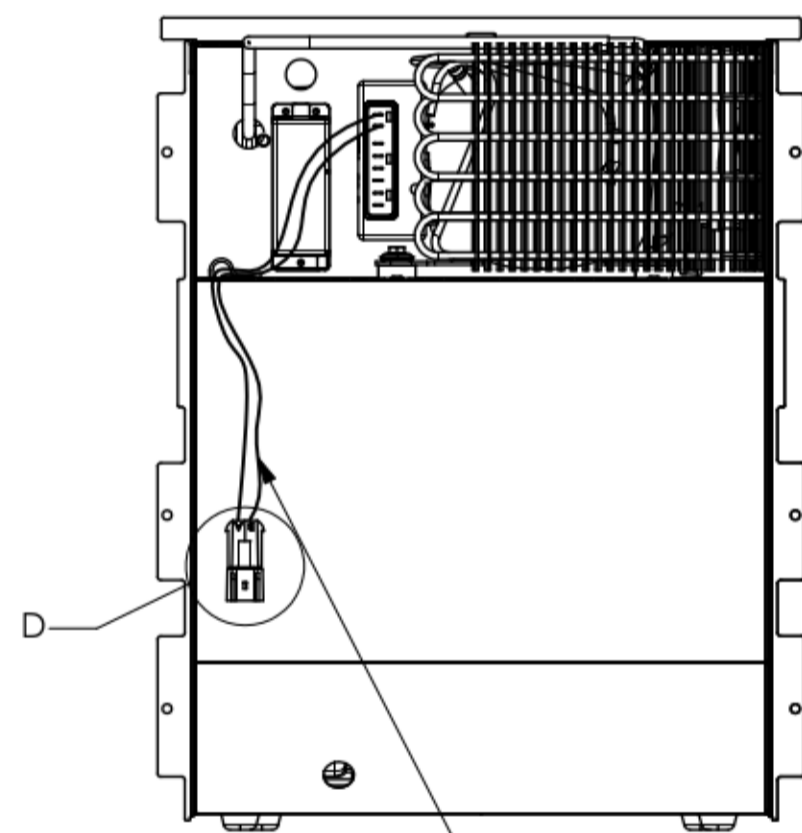
VIEW A  
SCALE 1 : 1



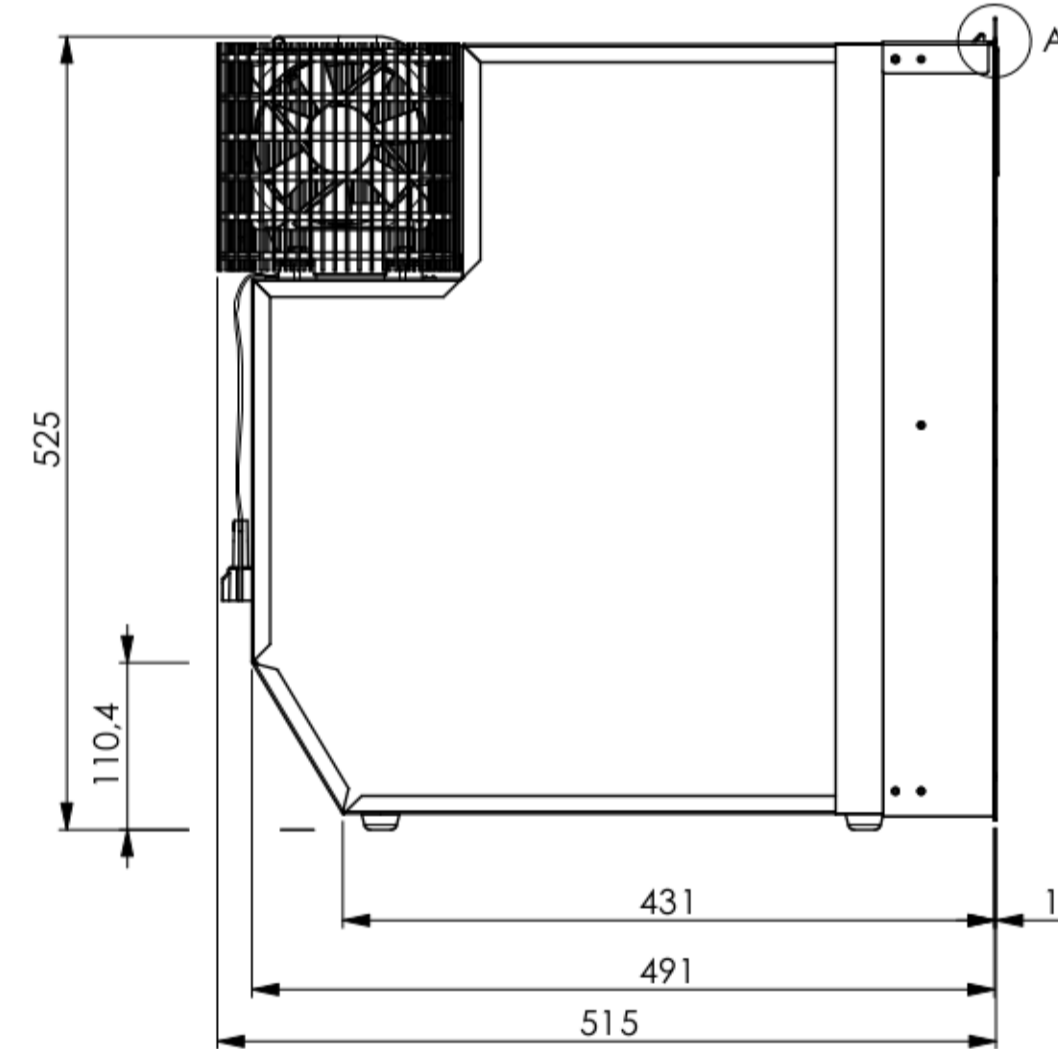
VIEW C  
SCALE 1 : 1



SECTION B-B  
SCALE 1:2

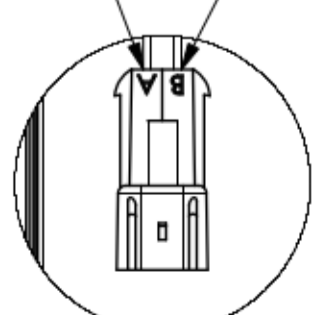


POWER WIRE 2.5mm<sup>2</sup>  
WITH PLUG Packard 15300002  
LENGTH OUTSIDE CABINET 450mm



BLACK WIRE  
NEGATIVE POLARITY  
A CAVITY

RED WIRE  
POSITIVE POLARITY  
B CAVITY



DETAIL D  
SCALE 1 : 2

**TRUCKFRIDGE MODEL: TFDR49**

18	COMPRESSING UNIT	1			
17	UPPER FLANGE WITHOUT BENDS	1	ZNC COATED PLATE 10/10	BLACK PAINTED	1.2.5553.2/0
10	FEET	4			
9	LIGHT SWITCH	1			
8	THERMOSTAT	1			
8	LED ASSEMBLY	1			
7	EVAPORATOR	1			
5	UPPER DRAWER (FREEZER ZONE *)	1			
4	MAIN DRAWER (FRIDGE ZONE)	1			
3	FLUSH MOUNTING FLANGE	1			
2	FOAMED DOOR	1			
1	FOAMED CABINET	1			