

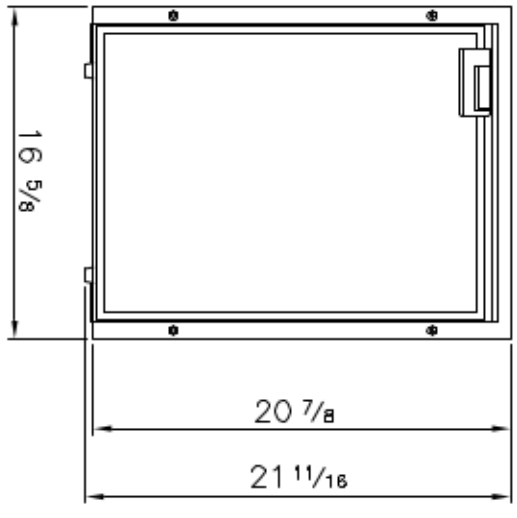
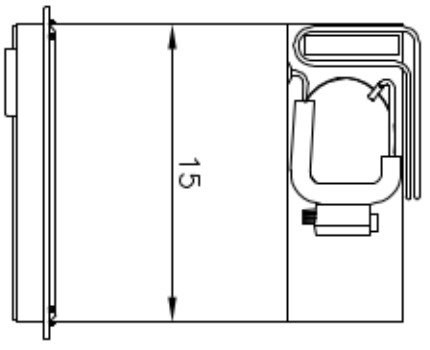
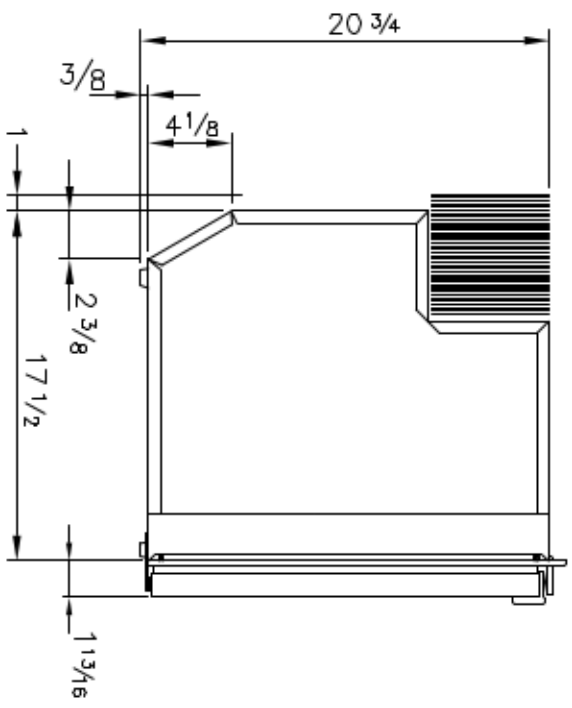
Rev/No

Revision note

Date

Signature

Checked



Installation dimensions (in.)