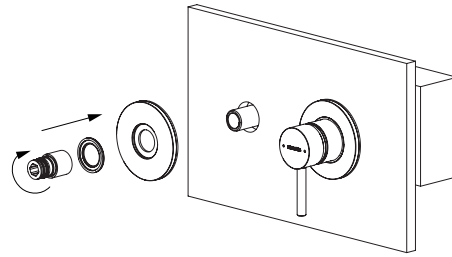


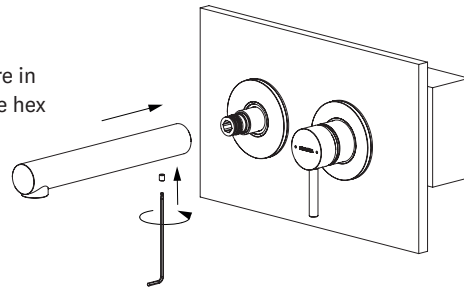
### Step 5

- Ensure spout faceplate seal is assembled to the spout faceplate.
- If necessary apply silicone to the seal to create a seal with finished wall surface.
- Slide the spout faceplate over the nipple.
- Slide washer over the nipple.
- Secure spout faceplate in place by screwing the inlet connector onto the nipple.



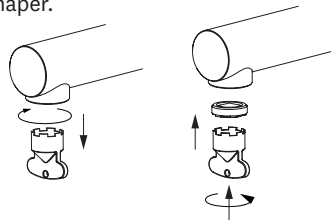
### Step 6

- Push the spout onto the inlet connector and secure in place by tightening the grub screw firmly using the hex key provided.



### Bath Installation\* (NZ only):

Remove flow restricted (yellow) stream shaper using cache key.  
Replace with unrestricted (white) stream shaper.



\*Note: Unrestricted stream shaper not included in some regions.

### Care and Cleaning:

Never use abrasives or abrasive cleaning agents to clean this product. Clean regularly with contamination free warm soapy water and a damp soft cloth.

Periodically the stream shaper should be removed as shown above and cleaned under running water.

Methven warrants this product against manufacturing defects and that it is suitable for use under the general operating conditions specified in this instruction sheet. However, regional regulations apply and may affect your warranty. Please refer to [www.methven.com](http://www.methven.com) or call customer service for full details.

New Zealand  
0800 804 222

Australia  
1300 638 483

UK  
0800 195 1602

435532

ISSUE A

# TŪROA WALL MOUNTED MIXER

## Installation Guide

### Technical Specifications:

#### Operating Pressure:

Min: 150kPa/1.5bar  
Max: 1000kPa/10bar\*  
Optimum: 150kPa/1.5bar - 500kPa/5bar

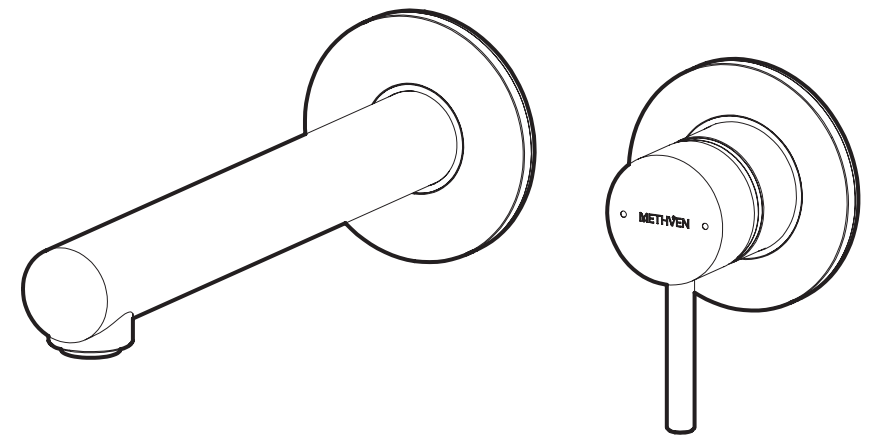
#### Operating Temperature:

Hot: Max 80°C\*  
Cold: Min 5°C

#### Inlet Connections:

All ½" BSP

\* Regional specific regulations apply.  
Please refer to your warranty statement at  
[www.methven.com](http://www.methven.com)

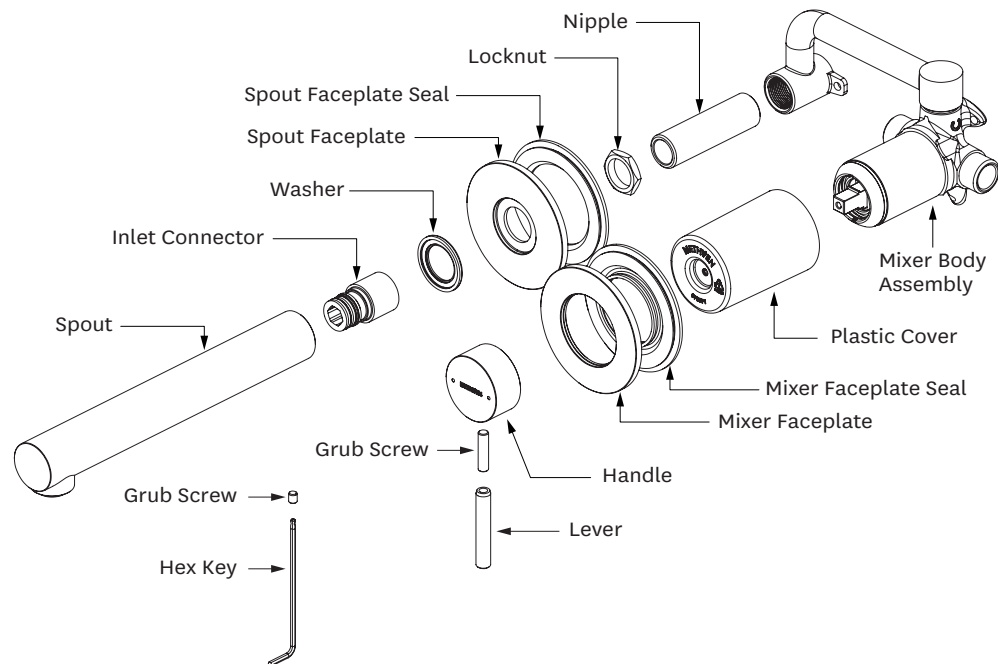


**METHVEN**  
[www.methven.com](http://www.methven.com)

**IMPORTANT:** Please read all of the instructions before installation.

**General:**

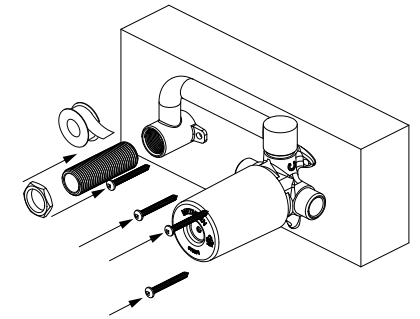
- Methven recommends this product is installed by a licensed plumber in compliance with all relevant regional regulations.
- Do not hydrostatic test the installation with this mixer installed. Damage to the ceramic cartridge may occur.
- All pipe work must be thoroughly flushed prior to the installation of the mixer.
- In-line filters must be fitted on both hot and cold supplies to prevent foreign particles damaging the ceramic cartridge.
- Do not remove the ceramic cartridge from the mixer when installing.
- After installation all connections must be checked for leaks.
- All outlets used primarily for personal hygiene shall deliver water at a safe temperature as per regional regulations.
- This mixer is not recommended for use in uncontrolled heating systems such as wet-backs or solar heating units unless a suitable tempering valve is fitted.
- If limited water flow is experienced, locate stream shaper and clean away foreign material as required.
- It is the responsibility of the installer to ensure a waterproof seal is achieved between the product and mounting surface. If in doubt about the quality of the seal, remove the product and reinstall using silicone to ensure a seal is achieved.



**IMPORTANT:** Before you begin, turn off the water supply.

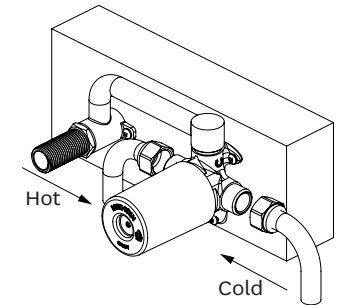
**Step 1**

- Leave plastic cover in place during the installation.
- Secure the mixer body and the spout elbow to the supporting timber ensuring that it is oriented square and vertical.
- Fit the nipple and locknut to the spout elbow using thread seal tape on the nipple to ensure a good seal.



**Step 2**

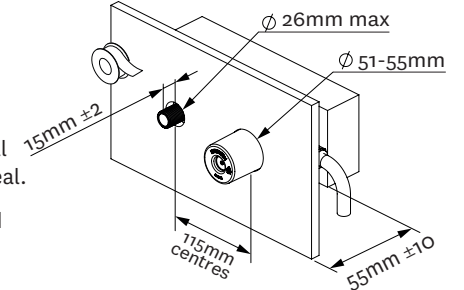
- Flush all pipe-work thoroughly prior to the next step.
- Connect hot and cold supplies to mixer body ensuring a good seal at each joint.
- Leak test installation prior to closing wall cavity.



**The seal integrity of pipe joints are the responsibility of the installing plumber.**

**Step 3**

- Wall lining hole should be cut or finished as per the dimensions shown in the diagram on the right.
- Cut off the threaded nipple 15mm±2mm from the wall lining and apply thread seal tape to ensure a good seal.
- Optimum distance from mounting surface to finished wall surface = 55mm ±10



**Step 4**

- Remove plastic cover.
- Ensure mixer faceplate seal is assembled to mixer faceplate.
- Apply silicone to the mixer faceplate seal to create a seal with the finished wall surface.
- Slide mixer faceplate onto mixer body.
- Push handle on to cartridge lever, and tighten grub screw firmly with hex key provided.
- Screw lever onto the grub screw and tighten by hand.

