

TEAR SHEET



Longacre Tall Table Lamp

Item # TOB 3001BZ-L

Designer: Thomas O'Brien

Height: 32.5"

Width: 20"

Base: 10.25" Round

Finishes: BZ, HAB, PN

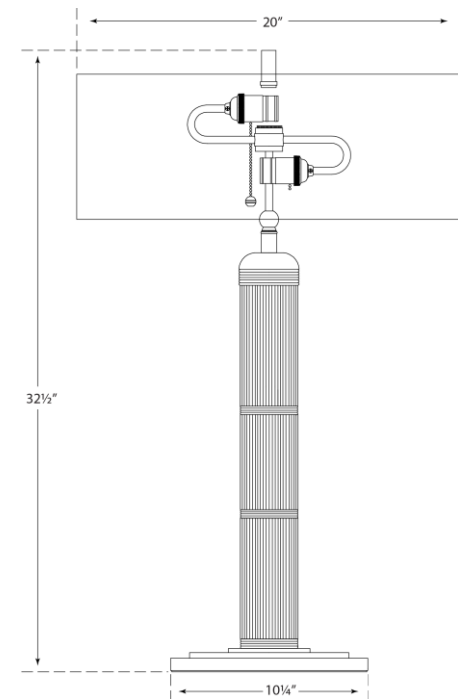
Shade Treatments: L, NP/BT

Shade Details: 20" x 20" X 7.5"

Socket: 2 - E26 Pull Chain

Wattage: 2 - 60 B11

Weight: 17 Pounds



TEAR SHEET



Longacre Tall Table Lamp

Item # TOB 3001HAB-NP

Designer: Thomas O'Brien

Height: 32.5"

Width: 20"

Base: 10.25" Round

Finishes: BZ, HAB, PN

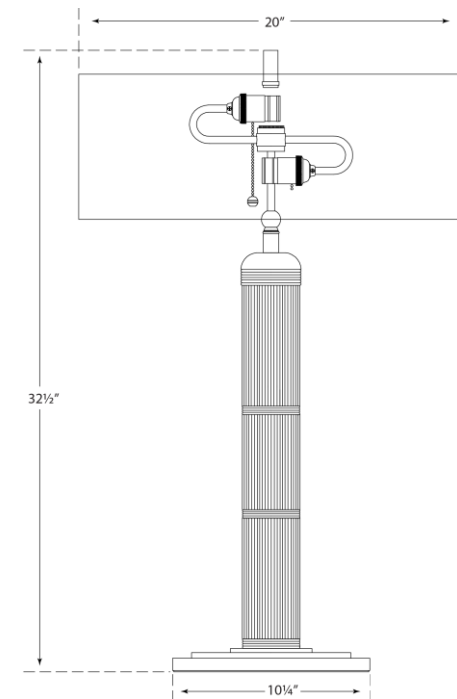
Shade Treatments: L, NP, NP/BT

Shade Details: 20" x 20" x 7.5"

Socket: 2 - E26 Pull Chain

Wattage: 2 - 60 B11

Weight: 17 Pounds



TEAR SHEET



Longacre Tall Table Lamp

Item # TOB 3001PN-NP

Designer: Thomas O'Brien

Height: 32.5"

Width: 20"

Base: 10.25" Round

Finishes: BZ, HAB, PN

Shade Treatments: L, NP, NP/BT

Shade Details: 20" x 20" x 7.5"

Socket: 2 - E26 Pull Chain

Wattage: 2 - 60 B11

Weight: 17 Pounds

