



# URBANE II

BATHROOM COLLECTION



Inspired by the emerging fashion of modern Australia, our Caroma Vogue Collection represents the best of Caroma's leadership in bathroom design and is sure to make a statement in any home.

Creating your own home has always been part of the Australian dream; the opportunity to design a unique space that both complements and elevates your individual style. The Caroma Vogue Collection will provide you the freedom to create your dream bathroom; one that enables an experience of personal luxury through customising key design elements and durable colour finishes.

The collection proudly represents fashionable Australian styles, made from the highest quality materials and incorporates the latest in sustainable innovations.

“With its extensive range of considered and functional products, our **Urbane II** Collection has everything you need to create your perfect bathroom sanctuary. Combined with a palette of durable colour finishes, the collection can be tailored to suit your very own personal style.”



- Luke Di Michiel,  
Caroma Industrial Designer



# URBANE II

Created with *flexibility* in mind...

Our Caroma Urbane II collection sets a new benchmark in contemporary Australian design. Combining refined thin-edge details and a considered design language this extensive bathroom collection includes tapware, showers, accessories, basins, baths and toilets.

Available in a beautiful and highly durable palette of 5 colour finishes, the collection can be tailored to suit a range of styles and tastes, making it our most customisable Caroma collection yet.

The collection features Caroma Easy-Switch, the universal in-wall body system that gives you ultimate flexibility.

The in-wall mixers have unique flexibility in that the trim kit, colour finish and design can all be interchanged pre or post installation - eliminating costly hold ups as well as allowing you to quickly and easily update the design, colour and style without costly rectification work. Trim kits are available in 5 colour finishes with 2 wall flange options - rectangular and round.



Caroma EasySwitch is the universal in-wall body system that fits every Urbane II and Liano II tapware product to give you the ultimate flexibility when choosing your bathroom fittings.

## 1 Select your universal in-wall body

### IN-WALL BODIES



WALL BASIN/BATH MIXER  
99635

BATH/SHOWER MIXER  
99651

BATH/SHOWER MIXER WITH DIVERTER  
99659

## 2 Select your trim kit & colour finish

### TRIM KITS



WALL BASIN/BATH MIXER

BATH/SHOWER MIXER

BATH/SHOWER MIXER WITH DIVERTER

### COLOUR FINISHES



PVD BRUSHED BRASS

PVD BRUSHED NICKEL

PVD GUNMETAL

ELECTROPLATED MATTE BLACK

CHROME

### Did you know...

THAT THE URBANE II COLLECTION IS FULLY INTERCHANGEABLE WITH THE LIANO II TAPWARE COLLECTION?

These collections utilise the same universal in-wall body, allowing you to mix and match between collections, meaning even more customisation when it comes to personalising your bathroom.



EXPRESS YOUR  
*colourful*  
PERSONALITY

The Urbane II Collection allows you to truly express your individual personality. Featuring both round and square styles, the collection offers a beautiful and highly durable palette of 5 colour finishes, allowing you to customise your bathroom to your unique style and taste from the taps and showers, right down to the robe hook and toilet hinges.



Create your *sanctuary*



CHROME

BRUSHED BRASS

BRUSHED BRASS

BRUSHED NICKEL

GUNMETAL

MATTE BLACK

BRUSHED BRASS

BRUSHED NICKEL

GUNMETAL

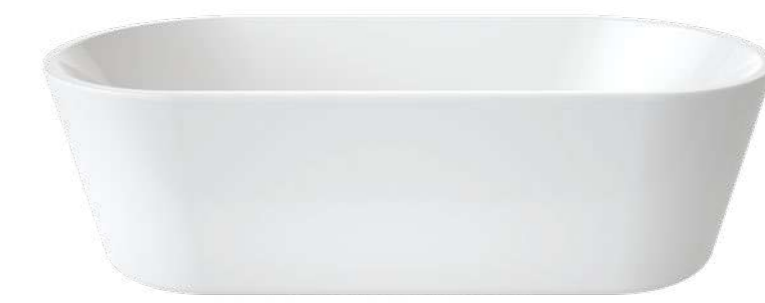
BALANCED  
*brushed  
brass*





# Create your *sanctuary*

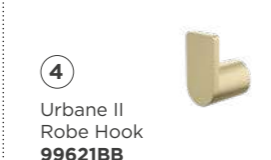
PVD Brushed Brass



1 Urbane II 1800 Freestanding Bath AU8W



2 Invisi Series II® Round Dual Flush Plate & Buttons 237088BB



4 Urbane II Robe Hook 99621BB



5 Urbane II Freestanding Bath Filler 98611BB



3 Urbane Cleanflush® Invisi Series II® Wall Faced Toilet Suite 746280W



6 Urbane II Inset Basin 878200W



7 Urbane II Mid Tower Basin Mixer 88620BB6A



9 Urbane II Rail Shower with 300mm Overhead + Hand Shower 99630BB3A



8 Urbane II Bath/Shower Mixer 99648BB



10 Urbane II Toilet Roll Holder 99620BB



11 Urbane II Shelf 99619BB



12 Urbane II Double Towel Rail 99616BB



# Create your *sanctuary*

## PVD Gunmetal

**1** Urbane II Right Hand Shelf Wall Basin 1 Tap Hole **878710W**



**2** Urbane II Basin Mixer **98608GM6A**



**3** Urbane II 40mm Bottle Trap **687294GM**



**4** Urbane II 300mm Ceiling Shower Arm **99639GM**



**5** Urbane II Rain Shower - 200mm Square (4 Star) **99664GM4E**



**6** Urbane II Hand Shower **99633GM4E**



**7** Urbane II Bath/Shower mixer with Diverter (Rectangular Cover Plate) **99657GM**



**8** Urbane II Bathroom Shelf **99619GM**



**9** Urbane II Cleanflush® Invisi Series II® Wall Faced Suite **746280W**



**10** Urbane II Hand Towel Rail **996168GM**



**11** Invisi Series II® Round Dual Flush Plate & Buttons **237088GM**



**12** Urbane II Toilet Roll Holder **99620GM**





# Create your *sanctuary*

PVD Brushed Nickel



① Urbane II 1800 Back to Wall Freestanding Bath AU8WFW



⑦ Urbane II Compact Twin Shower 99632BN3A



② Invisi Series II® Round Dual Flush Plate & Buttons 237088BN



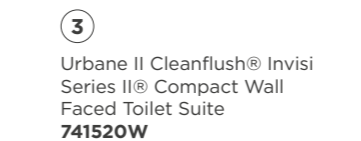
④ Urbane II 220mm Wall/Basin Bath Mixer (Round Cover Plate) 99641BN6A



⑤ Urbane II 180mm Wall/Basin Bath Mixer (Round Cover Plate) 99631BN6A



⑧ Urbane II Bath/Shower Mixer (Round Cover Plate) 99648BN



③ Urbane II Cleanflush® Invisi Series II® Compact Wall Faced Toilet Suite 741520W



⑥ Urbane II Above Counter Basin 878400W



⑨ Urbane II Bathroom Shelf 99619BN





# Create your *sanctuary*

Matte Black



① Urbane II 1800 Back to Wall Freestanding Bath **AU8WFW**



② Invisi Series II® Round Dual Flush Plate & Buttons **237088B**



③ Urbane II Cleanflush® Invisi Series II® Wall Faced Toilet Suite **746280W**



④ Urbane II 220mm Wall Basin/Bath Mixer (Round Cover Plate) **99641B6A**



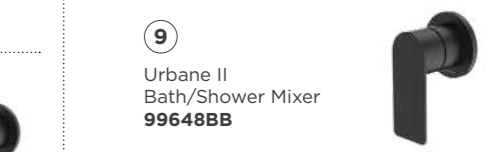
⑤ Urbane II Semi Recessed Basin 1 Tap Hole **878910W**



⑥ Urbane II Basin Mixer **98608B6A**



⑦ Urbane II Rain Shower 200mm Round **99663B4E**



⑧ Urbane II 460mm Upswept Shower Arm **99642B**



⑩ Urbane II Bathroom Shelf **99619B**



⑪ Urbane II Single Towel Rail **99617B**

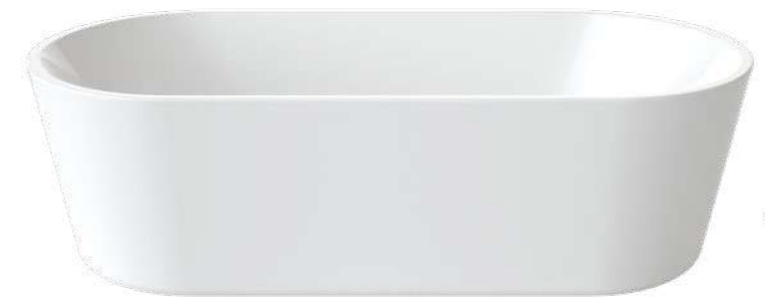


⑫ Urbane II Toilet Roll Holder **99620B**



# Create your *sanctuary*

## Chrome



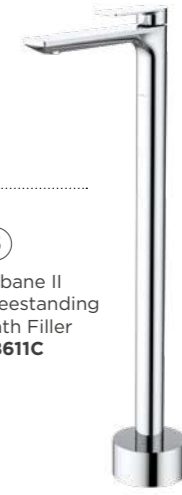
1  
Urbane Freestanding Bath  
**AU8W**



2  
Urbane II Cleanflush®  
Wall Facing Close Coupled  
Toilet Suite  
**746350W**



4  
Urbane II - Tower  
Basin Mixer  
**98609C6A**



5  
Urbane II Freestanding  
Bath Filler  
**98611C**



3  
Urbane II Double  
Towel Rail  
**99616C**



6  
Urbane II Above  
Counter Basin  
**878400W**



10  
Urbane II Rain  
Shower - 200mm  
Round (4 Star)  
**99663C4E**



7  
Urbane II  
Rail Shower  
**99631C4E**

8  
Urbane II Bath/Shower  
Mixer with Diverter  
(Round Cover Plate)  
**99656C**



9  
Urbane II 400mm Right  
Angled Shower Arm  
**99641C**



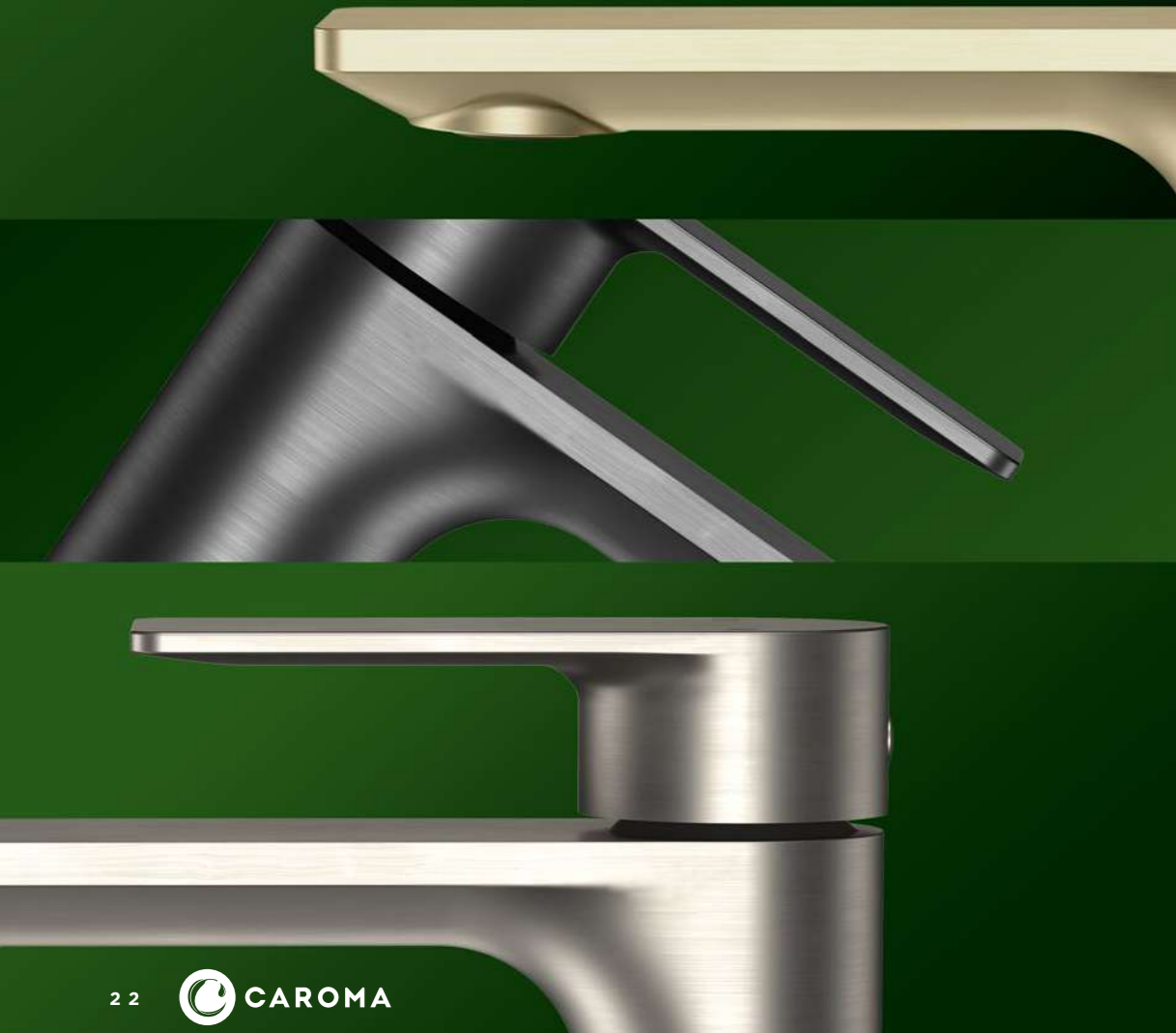


GALLANT  
*gunmetal*

# Premium PVD\* Finish

Environmentally friendly, durable and hard wearing our premium PVD finish comes with a 5 year warranty.

Available across tapware, showers and accessories in brushed brass, brushed nickel and gunmetal finishes.



## Tapware

Embracing a distinctly modern Australian style, the Caroma Urbane II Tapware Collection is a combination of functional and design unity.

The universal in-wall bodies fit every Urbane II tap to give you the ultimate flexibility when choosing your bathroom fittings.

Product shown in the Brushed Brass finish, also available in:

- Chrome
- Matte Black
- PVD Brushed Brass
- PVD Gunmetal
- PVD Brushed Nickel



**Urbane II Basin Mixer**

- 98608C6A
- 98608B6A
- 98608BB6A
- 98608GM6A
- 98608BN6A

WELS 6-star rated, 4.5L/min

**Urbane II Mid Tower Basin Mixer**

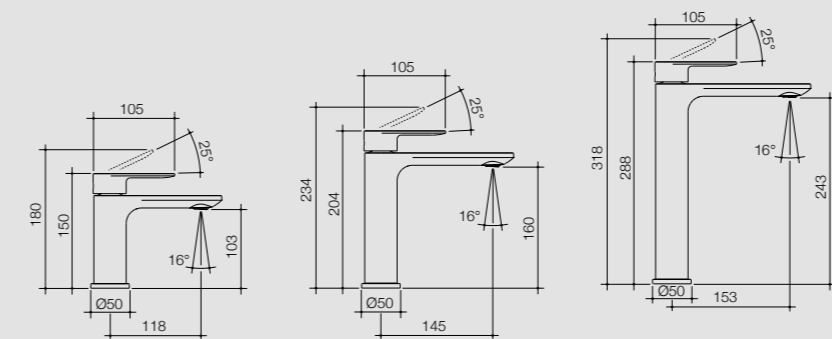
- 98620C6A
- 98620B6A
- 98620BB6A
- 98620GM6A
- 98620BN6A

WELS 6-star rated, 4.5L/min

**Urbane II Tower Basin Mixer**

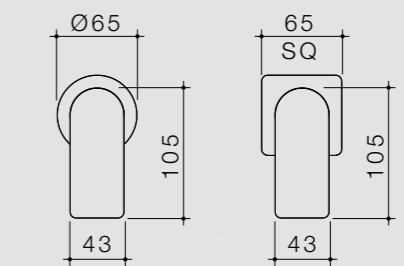
- 98609C6A
- 98609B6A
- 98609BB6A
- 98609GM6A
- 98609BN6A

WELS 6-star rated, 4.5L/min



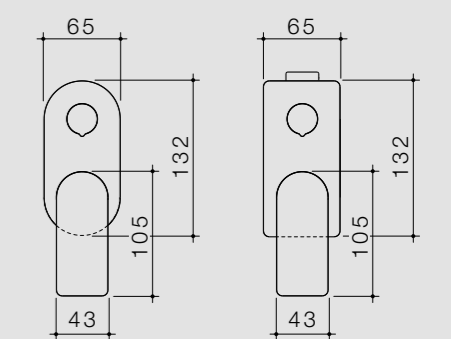
**Urbane II Bath/Shower Mixer**

- |               |         |         |
|---------------|---------|---------|
| <b>Round</b>  | 99648C  | 99648B  |
|               | 99648BB | 99648GM |
|               | 99648BN |         |
| <b>Square</b> | 99649C  | 99649B  |
|               | 99649BB | 99649GM |
|               | 99649BN |         |



**Urbane II Bath/Shower Mixer with Diverter**

- |                  |         |         |
|------------------|---------|---------|
| <b>Round</b>     | 99656C  | 99656B  |
|                  | 99656BB | 99656GM |
|                  | 99656BN |         |
| <b>Rectangle</b> | 99657C  | 99657B  |
|                  | 99657BB | 99657GM |
|                  | 99657BN |         |



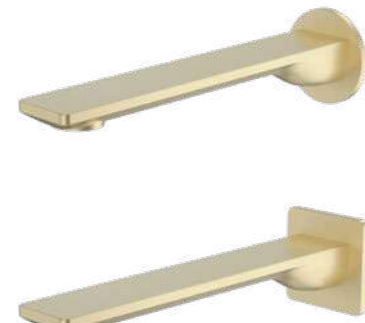
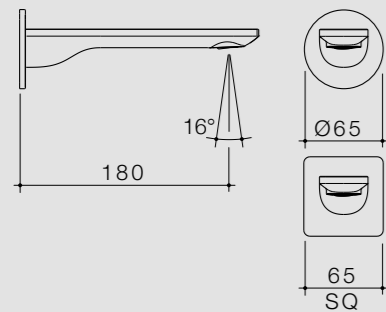
\*PVD stands for Physical Vapour Deposition, for more information visit [caroma.com.au](http://caroma.com.au)



**Urbane II Basin/Bath Outlet  
180mm**

- |               |           |           |
|---------------|-----------|-----------|
| <b>Round</b>  | 99665C6A  | 99665B6A  |
|               | 99665BB6A | 99665GM6A |
|               | 99665BN6A |           |
| <b>Square</b> | 99666C6A  | 99666B6A  |
|               | 99666BB6A | 99666GM6A |
|               | 99666BN6A |           |

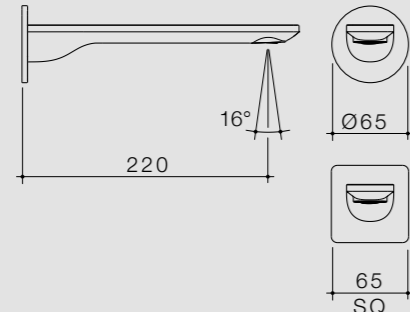
WELS 6-star rated,  
4.5L/min



**Urbane II Basin/Bath Outlet  
220mm**

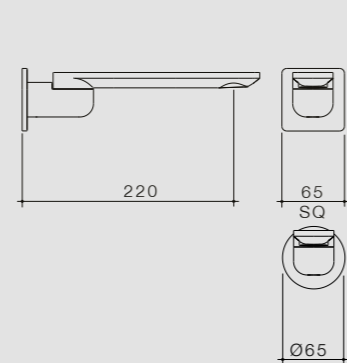
- |               |           |           |
|---------------|-----------|-----------|
| <b>Round</b>  | 99667C6A  | 99667B6A  |
|               | 99667BB6A | 99667GM6A |
|               | 99667BN6A |           |
| <b>Square</b> | 99668C6A  | 99668B6A  |
|               | 99668BB6A | 99668GM6A |
|               | 99668BN6A |           |

WELS 6-star rated,  
4.5L/min



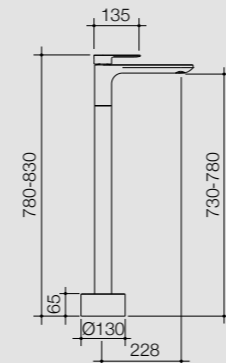
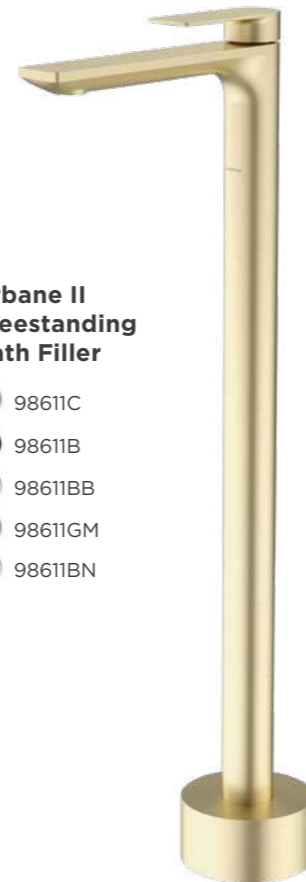
**Urbane II Bath Swivel Outlet  
220mm**

- |               |         |         |
|---------------|---------|---------|
| <b>Round</b>  | 99669C  | 99669B  |
|               | 99669BB | 99669GM |
|               | 99669BN |         |
| <b>Square</b> | 99670C  | 99670B  |
|               | 99670BB | 99670GM |
|               | 99670BN |         |



**Urbane II  
Freestanding  
Bath Filler**

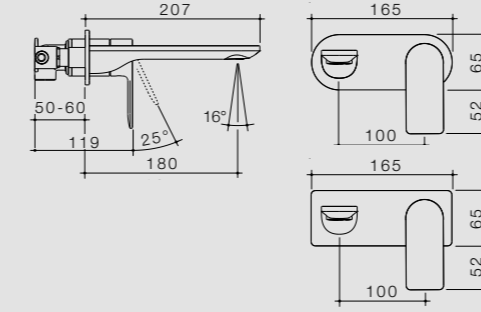
- 98611C
- 98611B
- 98611BB
- 98611GM
- 98611BN



**Urbane II 180mm  
Wall Basin / Bath Mixer**

- |                  |           |           |
|------------------|-----------|-----------|
| <b>Round</b>     | 99631C6A  | 99631B6A  |
|                  | 99631BB6A | 99631GM6A |
|                  | 99631BN6A |           |
| <b>Rectangle</b> | 99632C6A  | 99632B6A  |
|                  | 99632BB6A | 99632GM6A |
|                  | 99632BN6A |           |

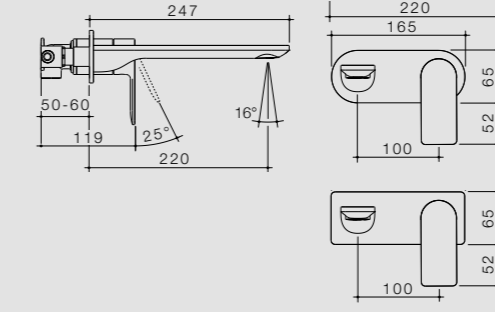
WELS 6-star rated,  
4.5L/min



**Urbane II 220mm  
Wall Basin / Bath Mixer**

- |                  |           |           |
|------------------|-----------|-----------|
| <b>Round</b>     | 99641C6A  | 99641B6A  |
|                  | 99641BB6A | 99641GM6A |
|                  | 99641BN6A |           |
| <b>Rectangle</b> | 99642C6A  | 99642B6A  |
|                  | 99642BB6A | 99642GM6A |
|                  | 99642BN6A |           |

WELS 6-star rated,  
4.5L/min



NUANCE  
*brushed nickel*



# V-Jet® Technology

Our unique V-Jet® technology delivers a shower experience that puts you in control. Seamlessly transition from a firm invigorating spray to a gentle mist... and everything in between.








## Showers

Your shower is one of the most important features of your bathroom and the slim, sleek design of Urbane II showers is perfect for an effortless modern design.

Choosing the right type of shower for your family will ensure a luxurious showering experience every time.






Premium quality flow regulators will deliver a consistent flow of water under a range of water pressures and the smooth, silverflex shower hose means durability and easy cleaning.

Product shown in the PVD Brushed Nickel finish, also available in:

-  Chrome
-  Matte Black
-  PVD Brushed Brass
-  PVD Gunmetal
-  PVD Brushed Nickel








**Urbane II Rail Shower with 300mm Overhead**

-  99630C3A
-  99630B3A
-  99630BB3A
-  99630GM3A
-  99630BN3A

WELS 3 (Range D) rated, 9L/min




**Urbane II Compact Twin Shower with 300mm Overhead**

-  99632C3A
-  99632B3A
-  99632BB3A
-  99632GM3A
-  99632BN3A

WELS 3 (Range D) rated, 9L/min








**Urbane II Rail Shower**

-  99631C4E
-  99631B4E
-  99631BB4E
-  99631GM4E
-  99631BN4E

WELS 4 (Range E) Rated, 7.5L/min








**Urbane II Hand Shower**

-  99633C4E
-  99633B4E
-  99633BB4E
-  99633GM4E
-  99633BN4E

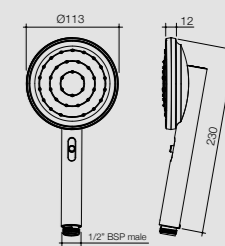
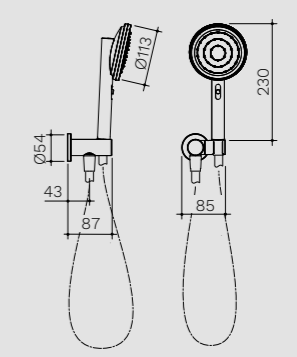
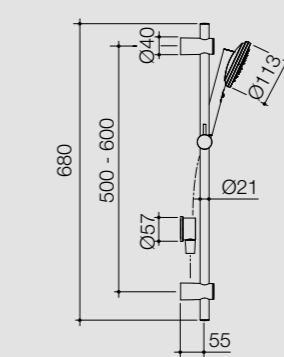
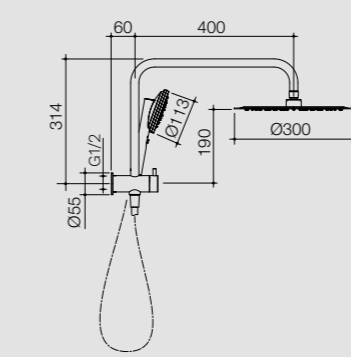
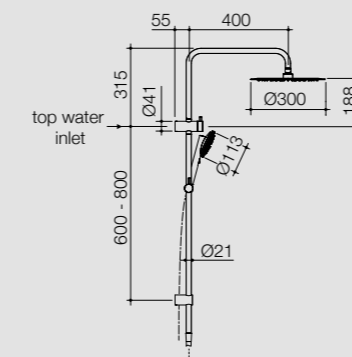
WELS 4 (Range E) Rated, 7.5L/min



**Urbane II Hand Shower (Handset Only)**

-  99643C4E
-  99643B4E
-  99643BB4E
-  99643GM4E
-  99643BN4E

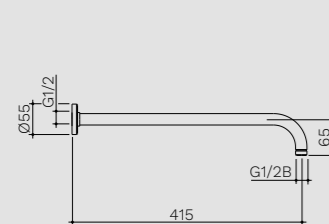
WELS 4 (Range E) Rated, 7.5L/min





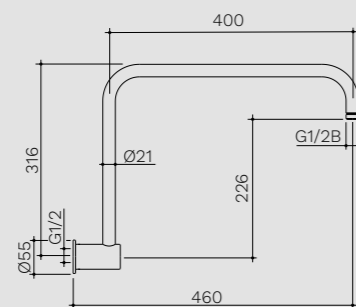
**Urbane II  
Right Angled Shower Arm  
400mm**

- 99641C
- 99641B
- 99641BB
- 99641GM
- 99641BN



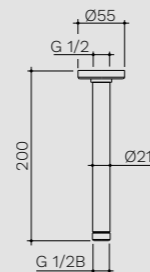
**Urbane II  
Upswept Shower Arm  
460mm**

- 99642C
- 99642B
- 99642BB
- 99642GM
- 99642BN



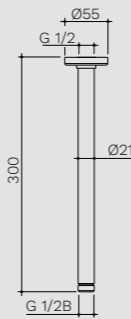
**Urbane II  
Ceiling Arm  
200mm**

- 99658C
- 99658B
- 99658BB
- 99658GM
- 99658BN



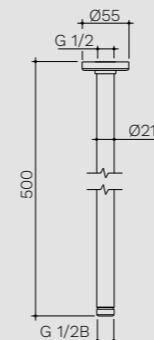
**Urbane II  
Ceiling Arm  
300mm**

- 99639C
- 99639B
- 99639BB
- 99639GM
- 99639BN



**Urbane II  
Ceiling Arm  
500mm**

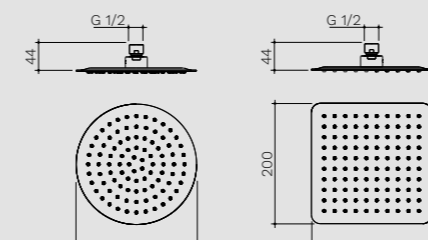
- 99640C
- 99640B
- 99640BB
- 99640GM
- 99640BN



**Urbane II  
Rain Shower 200mm**

- |               |             |             |
|---------------|-------------|-------------|
| <b>Round</b>  | ● 99663C4E  | ● 99663B4E  |
|               | ● 99663BB4E | ● 99663GM4E |
|               | ● 99663BN4E |             |
| <b>Square</b> | ● 99664C4E  | ● 99664B4E  |
|               | ● 99664BB4E | ● 99664GM4E |
|               | ● 99664BN4E |             |

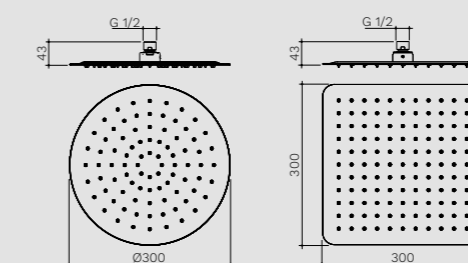
WELS 4 (Range D)  
rated, 7.5L/min



**Urbane II  
Rain Shower 300mm**

- |               |             |             |
|---------------|-------------|-------------|
| <b>Round</b>  | ● 99634C3A  | ● 99634B3A  |
|               | ● 99634BB3A | ● 99634GM3A |
|               | ● 99634BN3A |             |
| <b>Square</b> | ● 99655C3A  | ● 99655B3A  |
|               | ● 99655BB3A | ● 99655GM3A |
|               | ● 99655BN3A |             |

WELS 3 (Range D)  
rated, 9L/min







CREATIVE  
*chrome*



# Accessories

Complete your bathroom with our range of Urbane II bathroom accessories. The contemporary design and thin-edge details will complement the rest of your choices from the collection.

Metal construction ensures durability while dual fixings provide added strength.

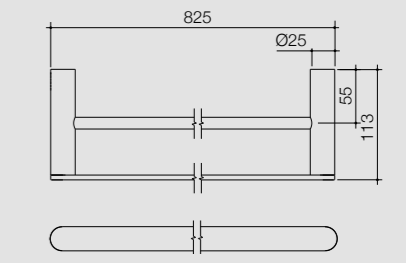
Product shown in the PVD Gunmetal finish, also available in:

- Chrome
- Matte Black
- PVD Brushed Brass
- PVD Gunmetal
- PVD Brushed Nickel
- Stainless Steel (in Toilet Seat Hinge Caps only)
- White\* (in Bottle Traps only)



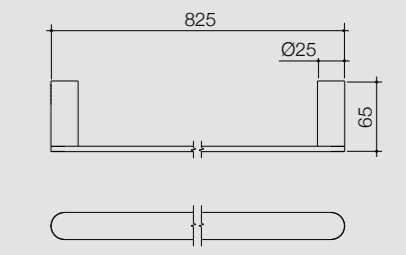
## Urbane II Double Towel Rail

- 99616C
- 99616B
- 99616BB
- 99616GM
- 99616BN



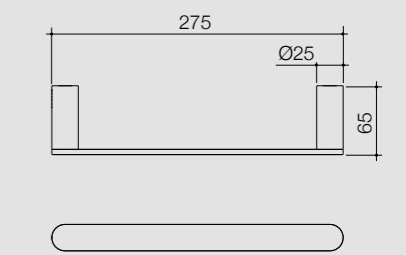
## Urbane II Single Towel Rail

- 99617C
- 99617B
- 99617BB
- 99617GM
- 99617BN



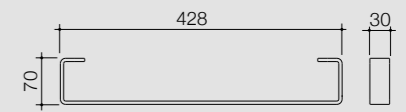
## Urbane II Hand Towel Rail

- 99618C
- 99618B
- 99618BB
- 99618GM
- 99618BN



## Urbane II Hand Wall Basin Integrated Rail

- 99623C
- 99623B
- 99623BB
- 99623GM
- 99623BN

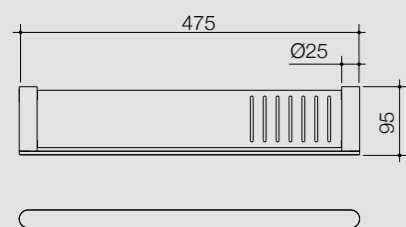


\*Rail only, basin and mixer sold separately



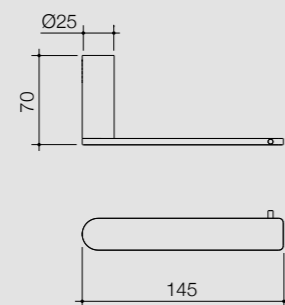
**Urbane II  
Bathroom Shelf**

- 99619C
- 99619B
- 99619BB
- 99619GM
- 99619BN



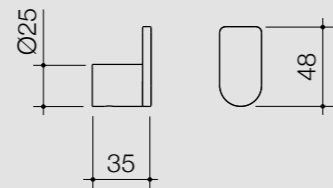
**Urbane II  
Toilet Roll Holder**

- 99620C
- 99620B
- 99620BB
- 99620GM
- 99620BN



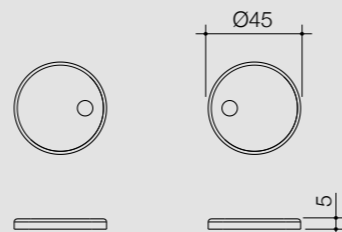
**Urbane II  
Robe Hook**

- 99621C
- 99621B
- 99621BB
- 99621GM
- 99621BN



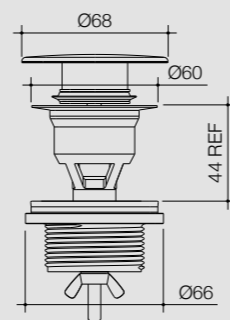
**Vogue  
Toilet Seat Hinge Cap**

- 254213B
- 254213BB
- 254213GM
- 254213SS (Stainless Steel)



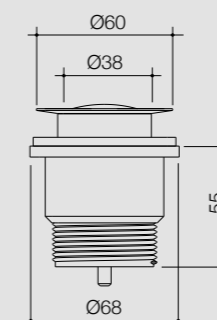
**Basin Dome  
Pop-Up Plug  
& Waste**

- 687330C
- 687330B
- 687330BB
- 687330GM
- 687330BN



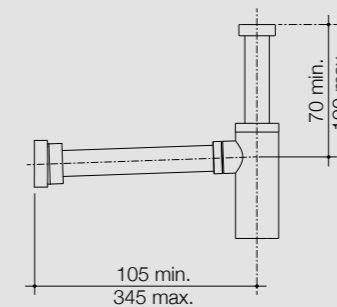
**Bath Pop-Up  
Plug & Waste**

- 323060C
- 323060B
- 323060BB
- 323060GM
- 323060BN



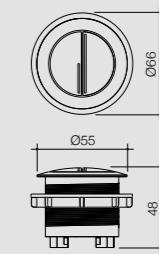
**Vogue 40mm  
Bottle Trap**

- 687295C
- 687294B
- 687294BB
- 687294GM
- 687294BN
- 687294W



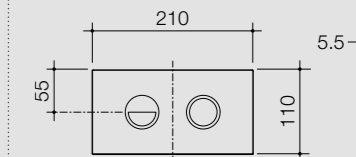
**Urbane II Wall Faced  
Close Coupled  
Flush Button**

- 687071C
- 687071B
- 687071BB
- 687071GM
- 687071BN



**Invisi Series II®  
Round Dual Flush  
Plate & Buttons**

- 237088C
- 237088B
- 237088BB
- 237088GM
- 237088BN



MODERN

*matte black*





# Basins

Our Urbane II Collection basins feature a contemporary thin-rim design to make a fashionable statement in any modern bathroom.

Urbane II basins include an integrated ceramic pop-up plug and waste which sits flush with basin when open. Optional pop-up plug & waste also available in Chrome, Matte Black, Brushed Nickel, Brushed Brass and Gunmetal.



**Urbane II  
Wall Basin - 0 Tap Hole  
(Right Hand Shelf)**

878700W

9.5L Volume Capacity



**Urbane II  
Wall Basin - 1 Tap Hole  
(Right Hand Shelf)**

878710W

9.5L Volume Capacity



**Urbane II  
Wall Basin - 0 Tap Hole  
(Left Hand Shelf)**

878800W

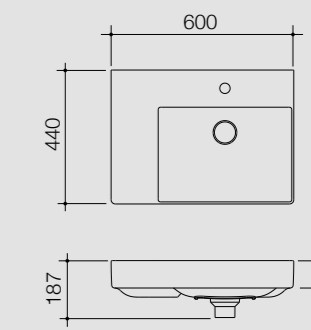
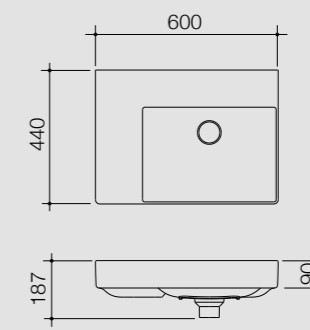
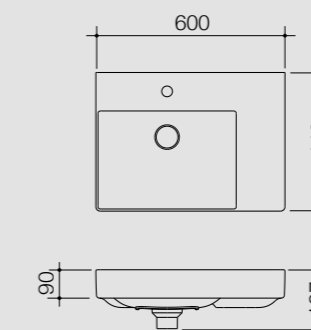
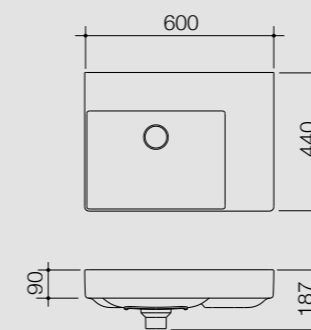
9.5L Volume Capacity



**Urbane II  
Wall Basin - 1 Tap Hole  
(Left Hand Shelf)**

878810W

9.5L Volume Capacity





**Urbane II  
Inset Basin  
No Tap Landing**

878200W

10.9L Volume Capacity



**Urbane II  
Inset Basin  
0 Tap Hole**

878300W

8.1L Volume Capacity



**Urbane II  
Inset Basin  
1 Tap Hole**

878310W

8.1L Volume Capacity



**Urbane II  
Above Counter Basin  
No Tap Landing**

878400W

10.9L Volume Capacity



**Urbane II  
Under Counter Basin  
0 Tap Hole**

878500W

9.9L Volume Capacity



**Urbane II  
Hand Wall Basin  
1 Tap Hole**

879010W

5.6L Volume Capacity



**Urbane II  
Wall Basin  
0 Tap Hole**

878600W

9.7L Volume Capacity



**Urbane II  
Wall Basin  
1 Tap Hole**

878610W

9.7L Volume Capacity



**Urbane II Semi  
Recessed Basin  
0 Tap Hole**

878900W

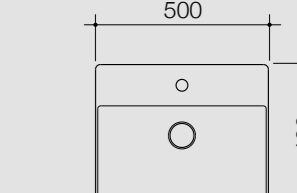
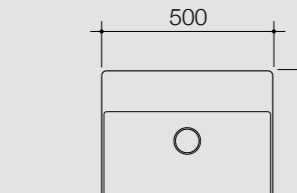
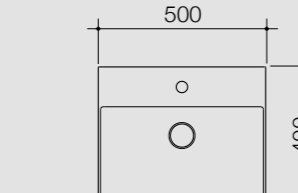
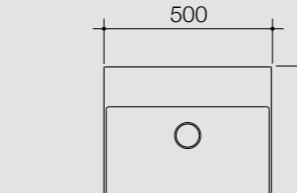
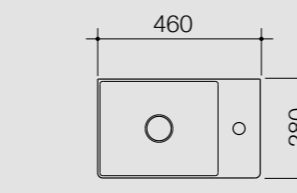
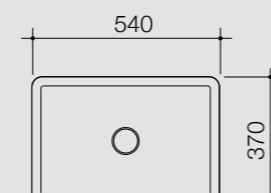
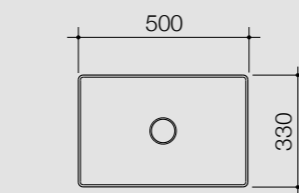
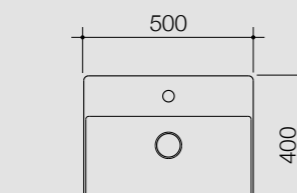
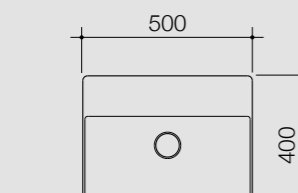
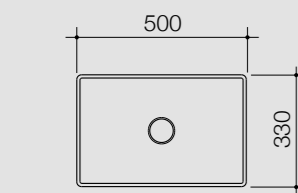
8.1L Volume Capacity



**Urbane II Semi  
Recessed Basin  
1 Tap Hole**

878910W

8.1L Volume Capacity



# Baths

Our Urbane II baths feature a seamless, thin-rim design, complete with an offset waste for a comfortable bathing experience.

Available in a luxurious free-standing or practical space saving back-to-wall style. Baths are available in a range of sizes to fit your bathroom needs.



**Urbane  
1675 Back to Wall  
Freestanding Bath**

UR7WFW



**Urbane  
1675  
Island Bath**

UR7ISW



**Urbane II  
1400 Back to Wall  
Freestanding Bath**

AU4WFW



**Urbane II  
1600  
Freestanding Bath**

AU6W



**Urbane II  
1600 Back to Wall  
Freestanding Bath**

AU6WFW  
AU6WFWOF (with Overflow)



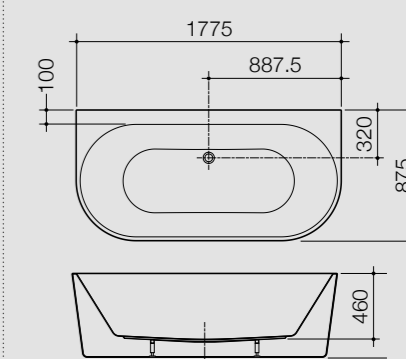
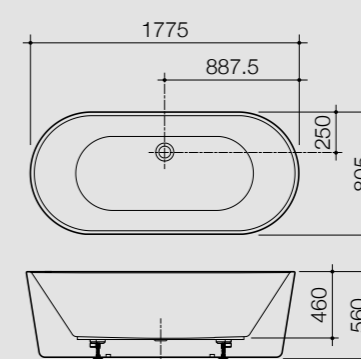
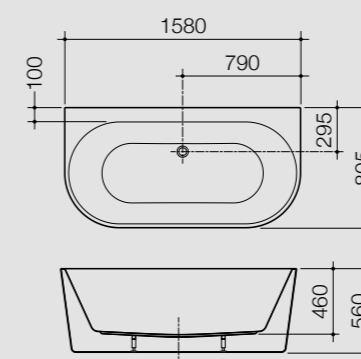
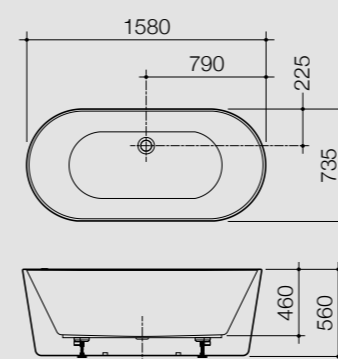
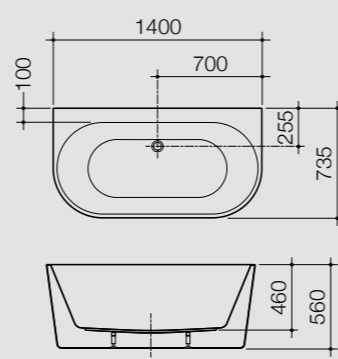
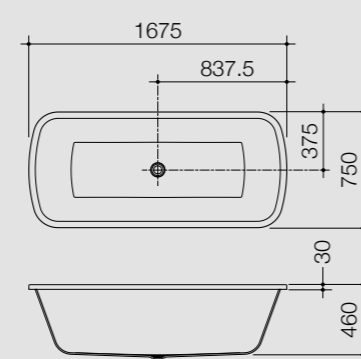
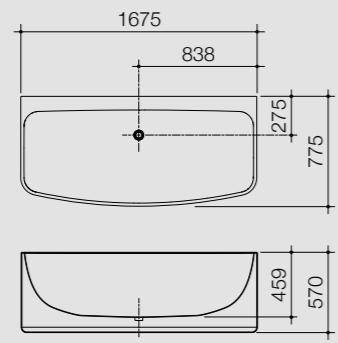
**Urbane II  
1800  
Freestanding Bath**

AU8W



**Urbane II  
1800 Back to Wall  
Freestanding Bath**

AU8WFW





**NEW**

**KILLS  
99.9%  
GERMS**



GermGuard® protection is a unique antimicrobial formula which kills harmful bacteria. This technology not only helps prevent the spread of nasty germs, it makes cleaning easier.

Now available on our Urbane II toilet seats.

## Toilets

Our Urbane II Collection of toilets have a contemporary low-profile design to match the Urbane II basins, baths, showers and tapware.

Urbane II toilets feature Cleanflush® technology, our most effective and hygienic toilet. Our patented design features revolutionary rimless technology that delivers the next generation of toilets; easy to clean and water efficient with superior hygiene.

In addition, toilets have added GermGuard® antimicrobial protection and have the option of coloured seat hinge caps for a consistent look across your bathroom.



UNI-ORBITAL CONNECTOR  
FLEXIBLE INSTALLATION



QUICK  
RELEASE



SOFT CLOSE



EASY CLEAN  
DROP ZONE



**Vogue Soft Close  
Quick Release  
Toilet Seat (Blind Fixing)**

300065W

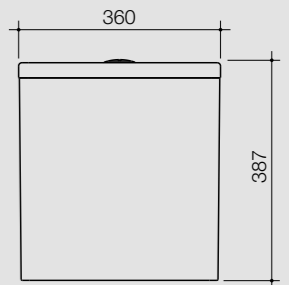
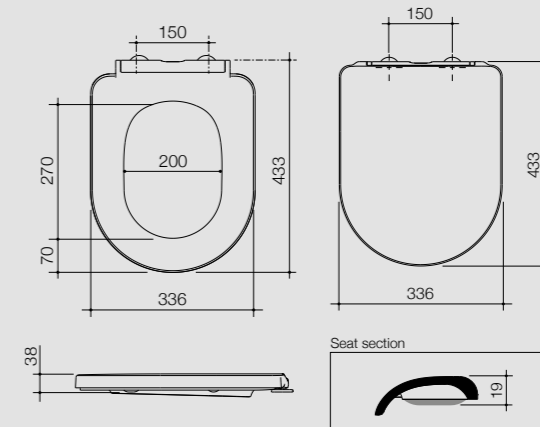


**Urbane II Close Coupled Cistern**

810878W - Back Entry  
810879W - Bottom Inlet

WELS 4 Rated, 4.5/3  
(3.5L average flush)

To achieve WELS 4 star rating these cisterns should be installed with the Urbane II WFCC Pans



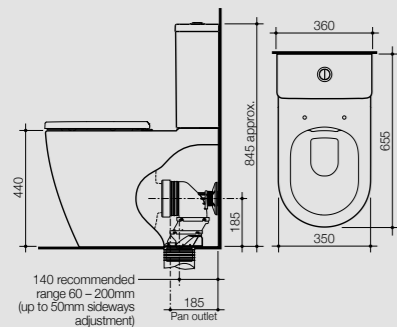




**Urbane II CleanFlush® Wall Faced Close Coupled Toilet Suite (with Vogue Quick Release Soft Close Toilet Seat)**

746350W UniTrap, BE, QR SC Seat  
746250W UniTrap, BI, QR SC Seat

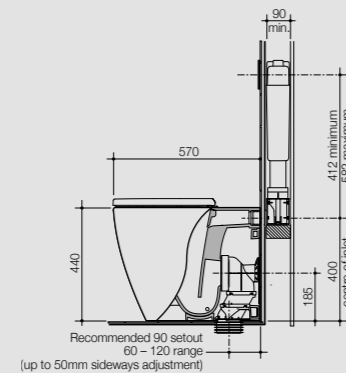
WELS 4 Rated, 4.5/3  
(3.5L average flush)



**Urbane II CleanFlush® Invisi Series II® Wall Faced Toilet Suite (with Vogue Quick Release Soft Close Toilet Seat)**

746280W

WELS 4 Rated, 4.5/3  
(3.5L average flush)

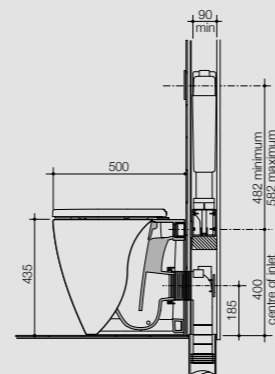


**Urbane II CleanFlush® Invisi Series II® Compact Wall Faced Toilet Suite (with Vogue Quick Release Soft Close Toilet Seat)**

741520W

WELS 4 Rated, 4.5/3  
(3.5L average flush)

AVAILABLE FROM MARCH 2021

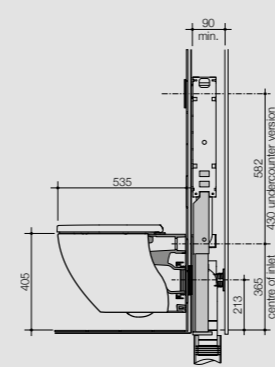


**Urbane II CleanFlush® Invisi Series II® Wall Hung Toilet Suite (with Vogue Quick Release Soft Close Toilet Seat)**

ID, IC, IW: 740860W, UC: 740870W,  
SBW: 740880W

WELS 4 Rated, 4.5/3  
(3.5L average flush)

AVAILABLE FROM MARCH 2021



# Revolutionary Rimless Flush Technology

Our patented design features revolutionary rimless technology, the next generation of toilets:

- easy to clean
- water efficient
- superior hygiene



**FLOW SPLITTER**  
Powerful flush for whole bowl clean



**FLOW BALANCER**  
Precise flush stream effectively clears the bowl



**FLOW CHANNELS**  
Controlled water flow eliminates splash back



With over 75 years of experience, we believe quality bathrooms are a balance of form, function and looks. Our designs and innovation bring to life a guiding vision of creating sustainable luxury. Design that enables you to enjoy bathroom experiences that both complement and elevate your lifestyle, from an energising morning start to an indulgent, relaxing moment of luxury, all underpinned by sustainability.

Designing for Australians and New Zealanders, from all walks of life, with different tastes and needs; we have a wide range of classic to artisanal styles, smart designs and sustainable innovations providing you with everything you need to create the *sanctuary of your dreams.*

[www.caroma.com.au](http://www.caroma.com.au) | [www.caroma.co.nz](http://www.caroma.co.nz)

© Copyright 2019. Caroma Industries Ltd. ABN 35 000 189 499. All rights reserved. Material and design specifications subject to change without notice. Product colour reproduction is as near to actual product colour as production methods allow. Warning: Products in this brochure are the subject of registered designs and patents. ® is a registered trademark of Caroma Industries. This brochure relates to Australian products only and some product, design or specifications may differ in other countries.