

CATALOGO TECNICO

NUT AND ADAPTER
FOR MULTILAYER
AND PEX PIPE



ITAP SpA, founded in Lumezzane (Brescia) in 1972, is currently one of the leading production companies in Italy of valves, fittings and distribution manifolds for plumbing and heating systems. Thanks to fully automated production processes, with 72 tooling machines and 51 assembly lines, we are able to produce 200,000 pieces per day. Our innate pursuit for innovation and observance of technical regulations is supported by the company certification ISO 9001: 2008. The company has always considered its focus on quality as the main tool to obtain significant business results: today ITAP SpA is proud to offer products bearing the approval of numerous international certifying bodies.

NUT AND ADAPTER FOR MULTILAYER AND PEX PIPE





NUT AND ADAPTER
FOR MULTILAYER
AND PEX PIPE

**THE FITTINGS ART. 595M
AND ART. 595P CAN BE
COUPLED TOGETHER
WITH THREADED
FITTINGS
(ART.509 TO 548).**

NUT AND ADAPTER

595M

NUT AND ADAPTER FOR MULTILAYER PIPE



Available sizes with 1/2" nut.

SIZE	CODE	PACKING
1/2" - 14x2	595001214200M	20/400
1/2" - 16x2	595001216200MI	20/400
1/2" - 16x2,25	595001216225MI	20/300

Available sizes with 3/4" nut EUROKONUS.

SIZE	CODE	PACKING
3/4" - 16x2	595003416200MI	20/300
3/4" - 20x2	595003420200M	20/300

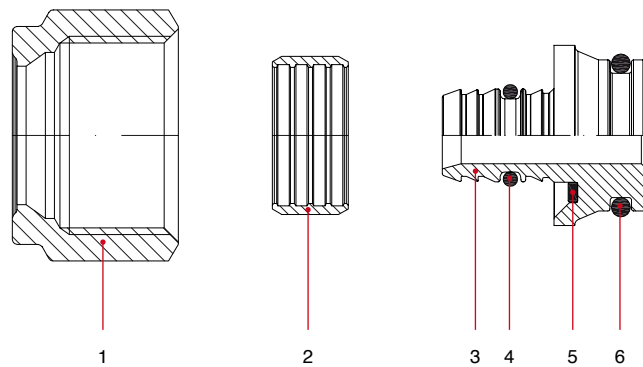
TECHNICAL SPECIFICATIONS

Minimum and maximum working temperature: -20°C, 110°C.

Maximum working pressure: 10 bar.

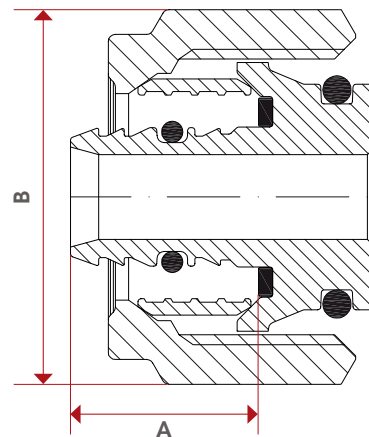
1/2" male thread suitable for conical seats with an inner diameter of 16mm.

MATERIALS



POS.	DESCRIPTION	N.	MATERIAL
1	Nut	1	Nickel-plated brass CW617N
2	Ring	1	Brass CW614N
3	Tail	1	Brass CW614N
4	O-ring	1	EPDM
5	Washer	1	Derlin®
6	O-ring	1	EPDM

OVERALL DIMENSIONS



	1/2"-14x2	1/2"-16x2	1/2"-16x2,25	3/4"-16x2	3/4"-20x2
A	13,3	13	13	15	15
B	Es. Ch. 24	Es. Ch. 24	Es. Ch. 24	Es. Ch. 27	Es. Ch. 27

CERTIFICATIONS



595P

NUT AND ADAPTER
FOR PEX PIPE



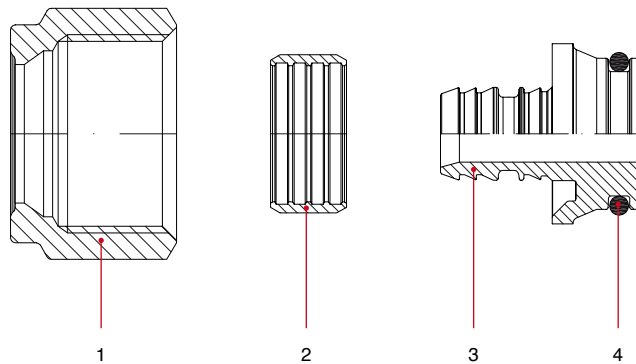
Available sizes with 3/4" nut EUROKONUS.

SIZE	CODE	PACKING
3/4" - 16x1,5	595003416150P	25/200
3/4" - 16x2	595003416200P	20/300
3/4" - 17x2	595003417200P	20/300
3/4" - 20x1,9	595003420190P	25/200

TECHNICAL SPECIFICATIONS

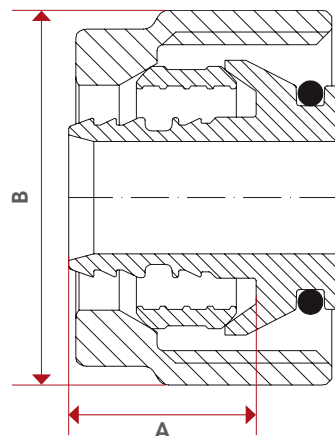
Minimum and maximum working temperature: -20°C, 110°C.
Maximum working pressure: 10 bar.

MATERIALS



POS.	DESCRIPTION	N.	MATERIAL
1	Nut	1	Nickel-plated brass CW617N
2	Ring	1	Brass CW614N
3	Tail	1	Brass CW614N
4	O-ring	1	EPDM

OVERALL DIMENSIONS



	3/4"-16x1,5	3/4"-16x2	3/4"-17x2	3/4"-20x1,9
A	15	-	14,44	15
B	Es. Ch. 27	Es. Ch. 27	Es. Ch. 27	Es. Ch. 27

CERTIFICATIONS



USE OF THE FITTING WITH MULTILAYER PIPE



885 DUAL DISTRIBUTION MANIFOLD.
1/2" male outlets, conical seat



850 DISTRIBUTION MANIFOLD
MADE OUT OF BRASS BAR



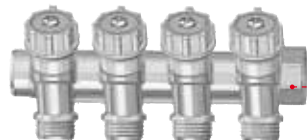
518 MALE/MALE ADAPTER



852 DISTRIBUTION MANIFOLD IN
STAINLESS STEEL



518 MALE/MALE ADAPTER



465 DISTRIBUTION MANIFOLD WITH
SHUT-OFF VALVES
1/2" male outlets, conical seat



455 DISTRIBUTION MANIFOLD
1/2" male outlets, conical seat



595M NUT AND ADAPTER



MULTILAYER OR PEX PIPE



995V

595M

MULTILAYER PIPE



395

595M

MULTILAYER PIPE





NOTES

A series of horizontal dashed lines for taking notes, starting from the top right of the 'NOTES' header and extending down the page.



ITAP S.p.A.
Via Ruca 19
25065 Lumezzane
Brescia (ITALIA)
Tel 030 89270
Fax 030 8921990
www.itap.it - info@itap.it