

TECHNICAL CATALOGUE

---

# ACCESSORIES FOR PRE-ASSEMBLED MANIFOLDS





ITAP SpA, founded in Lumezzane (Brescia) in 1972, is currently one of the leading production companies in Italy of valves, fittings and distribution manifolds for plumbing and heating systems. Thanks to fully automated production processes, with 72 tooling machines and 51 assembly lines, we are able to produce 200,000 pieces per day. Our innate pursuit for innovation and observance of technical regulations is supported by the company certification ISO 9001: 2008. The company has always considered its focus on quality as the main tool to obtain significant business results: today ITAP SpA is proud to offer products bearing the approval of numerous international certifying bodies.

CW617N  
PN40



ACCESSORIES FOR PRE-ASSEMBLED MANIFOLDS



ACCESSORIES FOR  
PRE-ASSEMBLED  
MANIFOLDS



# 860BY

OFF-CENTRE  
BY-PASS KIT



SIZE	PRESSURE	CODE	PACKING
1"	10bar/145psi	860BY	1/34

## CERTIFICATIONS



## TECHNICAL SPECIFICATIONS

- Consisting of:
- 2 adjustable end pieces
  - off-centre by-pass pipe
  - adjustable drain valve
  - air vent valve

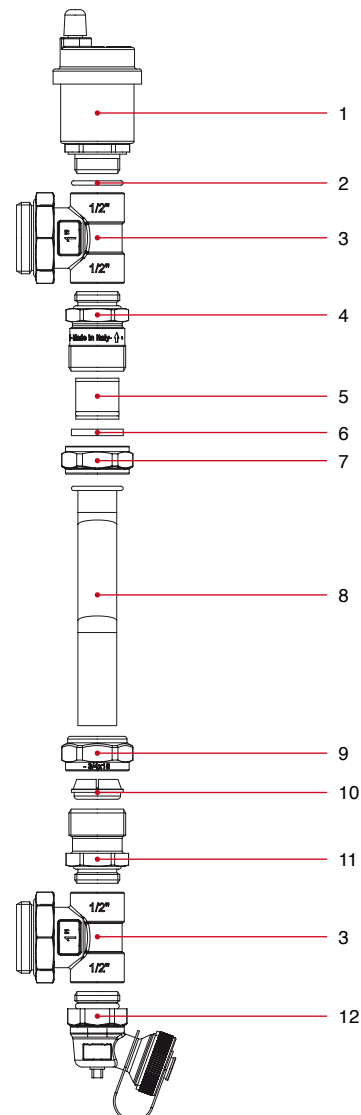
Fixed setting: 0,25 bar.

Maximum working temperature: 80°C.

Threads: ISO228 (equivalent to DIN EN ISO 228 and BS EN ISO 228).

To be installed in metal boxes art. 498 with manifolds made out of brass bar or stainless steel.

## MATERIALS

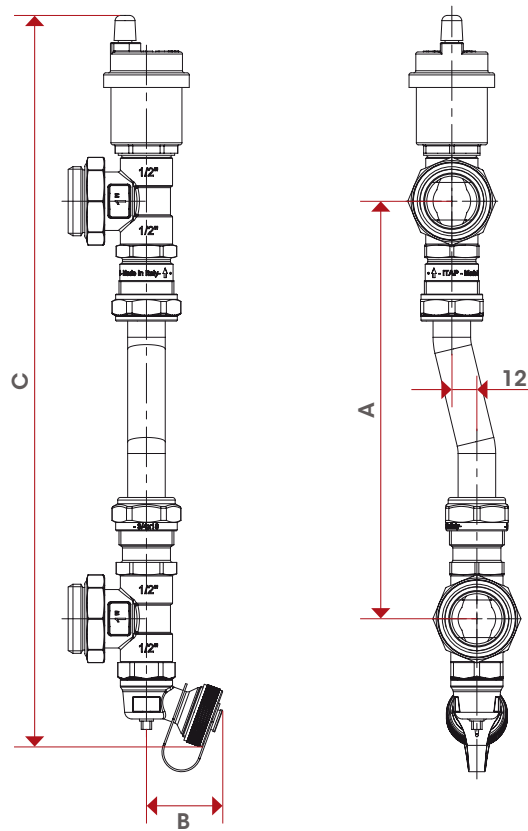


## MATERIALS

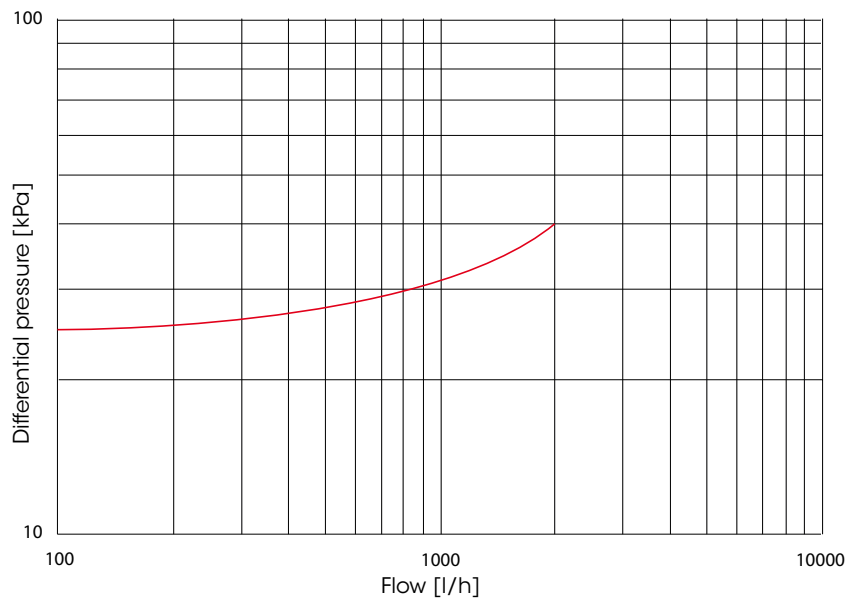
POS.	DESCRIPTION	N.	MATERIAL
1	Automatic air-vent valve	1	Nickel-plated brass CW617N
2	O-ring	1	EPDM
3	Adjustable male end fitting	2	Nickel-plated brass CW617N
4	Fitting	1	Brass CW614N
5	By-pass check valve	1	POM
6	Washer	1	NBR
7	Nut	1	Nickel-plated brass CW617N
8	By-pass pipe	1	Copper Cu DHP
9	Nut	1	Nickel-plated brass CW617N
10	Washer	1	EPDM
11	Fitting	1	Brass CW614N
12	Adjustable drain valve	1	Nickel-plated brass CW617N + Polymer

## OVERALL DIMENSIONS

1"	
A	200
B	36,5
C	350
Kg/cm <sup>2</sup> bar	10
LBS - psi	145

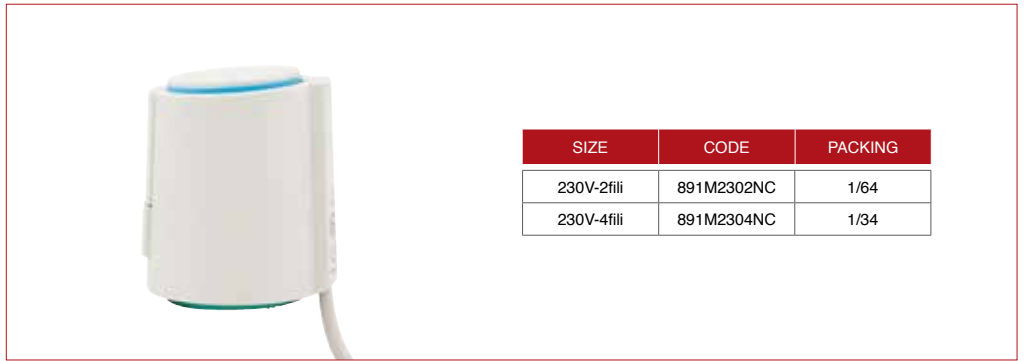


## DIAGRAM MINIMUM PRESSURE TO GET THE VALVES OPENING



# 891M

## ELECTROTHERMAL ACTUATOR

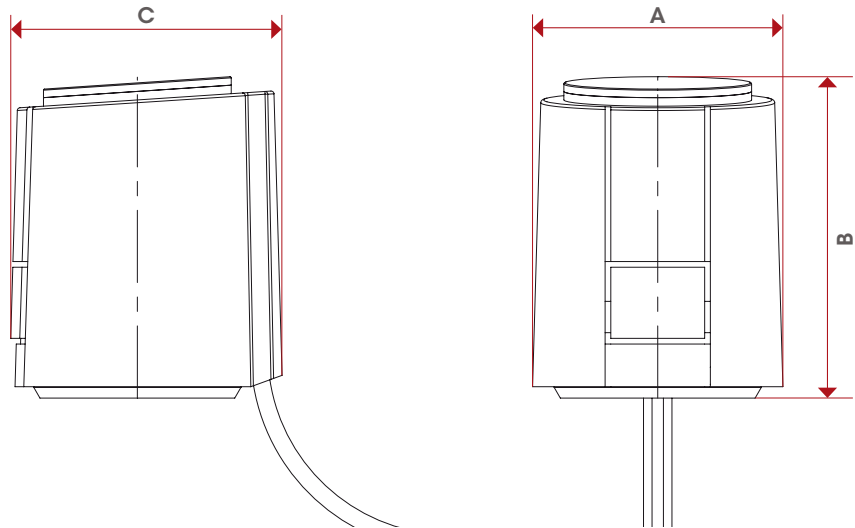


SIZE	CODE	PACKING
230V-2filii	891M2302NC	1/64
230V-4filii	891M2304NC	1/34

### TECHNICAL SPECIFICATIONS

Suitable for convertible valves and pre-assembled manifolds.  
Normally closed, on-off operation.  
Power supply voltage: 230V.  
Power consumption: 1W.  
Minimum and maximum working ambient temperatures: 0°C, 60°C.  
Maximum differential pressure: 1,5bar.  
Length of the power supply cable: m.1.  
Class of protection IP54.  
Available with 2 cables or 4 cables with an auxiliary microswitch.  
Capacity of the auxiliary connection: 300mA.  
CE marked.

### OVERALL DIMENSIONS



A	44
B	56
C	48

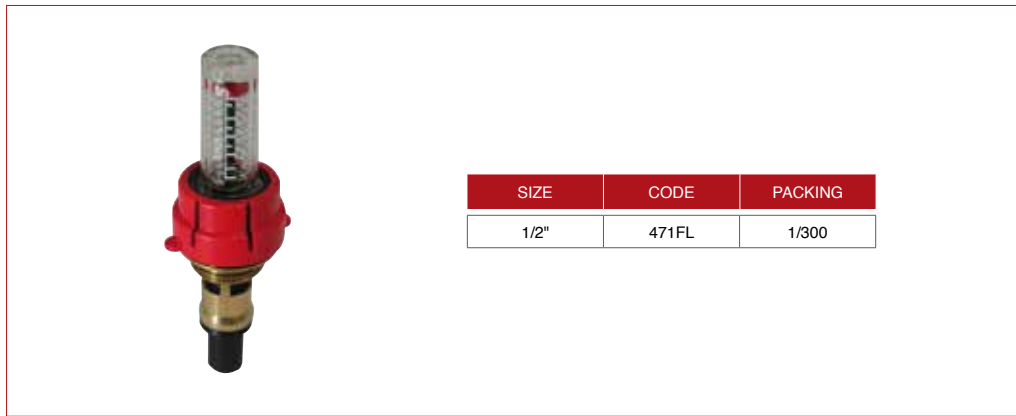
### CERTIFICATIONS





# 471FL

FLOW-METER



## TECHNICAL SPECIFICATIONS

Flow meter to measure the flow of water in a circuit

- including a device to adjust the flow.

- to be installed with flow manifold.

Body in brass.

Scale: 0-5 l/min.

Accuracy of reading: +/- 10%.

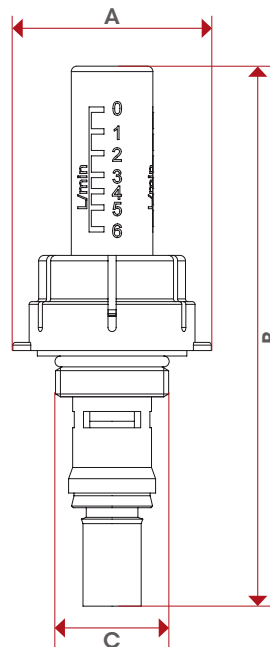
Maximum working temperature: 70°C.

Threads: ISO228 (equivalent to DIN EN ISO 228 and BS EN ISO 228).

## MATERIALS

POS.	DESCRIPTION	N.	MATERIAL
-	Fitting	-	Brass CW617N
-	Component	-	Ultramid A3K (BASF)
-	O-Ring	-	EPDM

## OVERALL DIMENSIONS



A	36,5
B	99,3
C	G 1/2"

## CERTIFICATIONS



# 471

ADAPTER FOR  
FLOW METERS  
- 1" MANIFOLDS



SIZE	PRESSURE	CODE	PACKING
1/2"-3/4" EUROCONUS	20bar/290psi	4710012034	1/300

## TECHNICAL SPECIFICATIONS

Adapter for flow meters, suitable for 1" manifolds.

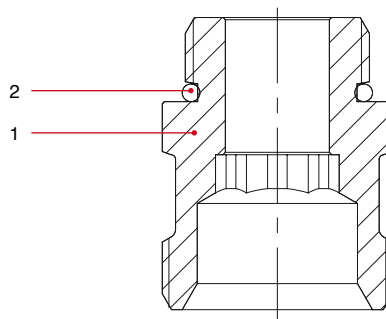
Available sizes: 1/2"x3/4" eurokonus.

Body in brass.

Maximum working temperature: 100°C.

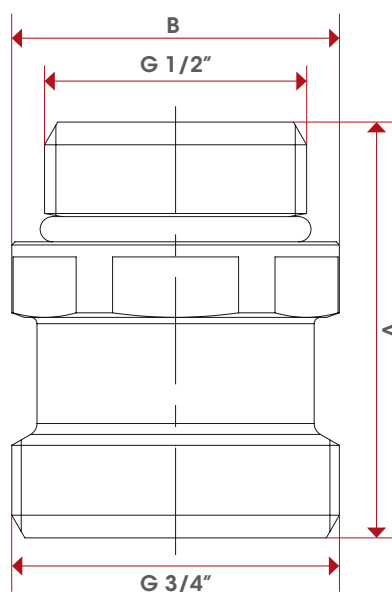
Threads: ISO228 (equivalent to DIN EN ISO 228 and BS EN ISO 228).

## MATERIALS



POS.	DESCRIPTION	N.	MATERIAL
1	Fitting	1	Brass CW614N
2	O-Ring	1	EPDM

## OVERALL DIMENSIONS



	1/2"x3/4"
A	33
B	26
Kg/cm <sup>2</sup> bar	20
LBS - psi	290

## CERTIFICATIONS



# 518

MALE/MALE  
ADAPTER  
- 1" MANIFOLDS



SIZE	PRESSURE	CODE	PACKING
1/2"-1/2"	20bar/290psi	5180012012	30/540
1/2"-3/4" EUROCONUS	20bar/290psi	5180012034	20/480

## TECHNICAL SPECIFICATIONS

Available size: 1/2"x1/2", 1/2"x3/4" eurokonus.

Body in brass.

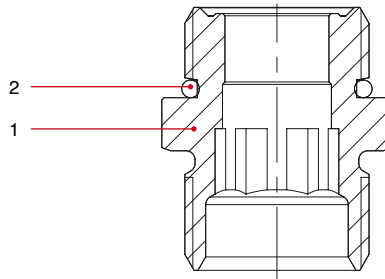
Maximum working temperature: 100°C.

Threads: ISO228 (equivalent to DIN EN ISO 228 and BS EN ISO 228).

Thread G: available in size 1/2" with conical seat and inner diameter mm.16 or in size 3/4" eurokonus.

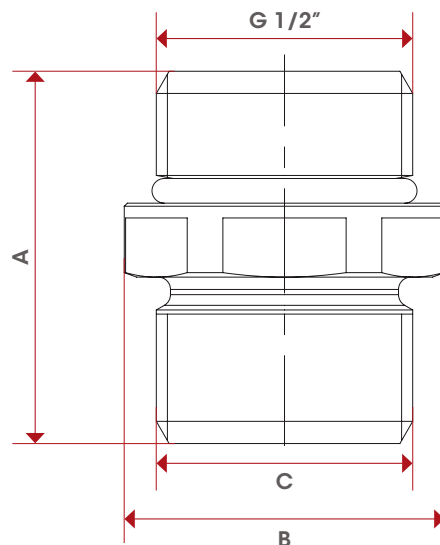
1/2"x1/2" size is also suitable as adapter for flow meters on 1" manifolds.

## MATERIALS



POS.	DESCRIPTION	N.	MATERIAL
1	Fitting	1	Brass CW614N
2	O-ring	1	EPDM

## OVERALL DIMENSIONS



	1/2"x1/2"	1/2"x3/4"
A	30,2	29,2
B	26	26
C	1/2"	3/4"
Kg/cm <sup>2</sup> bar	20	20
LBS - psi	290	290

## CERTIFICATIONS



# 519

MALE/MALE  
ADAPTER  
- 1"1/4 MANIFOLDS



SIZE	PRESSURE	CODE	PACKING
1/2"-3/4" EUROCONUS	20bar/290psi	5190012034	1/300

## TECHNICAL SPECIFICATIONS

Available size: 1/2"x3/4" eurokonus.

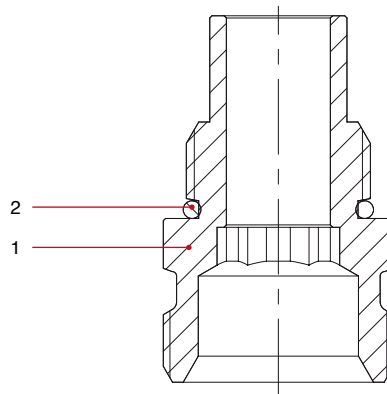
Body in brass.

Maximum working temperature: 100°C.

Threads: ISO228 (equivalent to DIN EN ISO 228 and BS EN ISO 228).

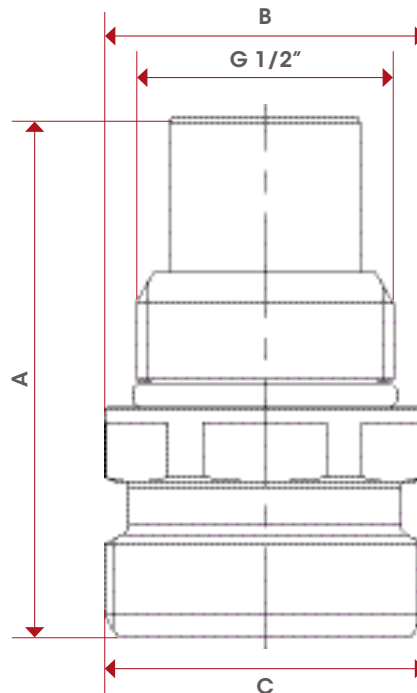
It is also suitable as adapter for flow meters on 1"1/4 manifolds.

## MATERIALS



POS.	DESCRIPTION	N.	MATERIAL
1	Fitting	1	Brass CW614N
2	O-ring	1	EPDM

## OVERALL DIMENSIONS



	1/2"x3/4"
A	41,9
B	26
C	3/4"
Kg/cm <sup>2</sup> bar	20
LBS - psi	290

## CERTIFICATIONS



# 489AR

NICKEL-PLATED  
ADJUSTABLE END PIECE  
WITH DRAIN VALVE  
AND AUTOMATIC  
AIR VENT VALVE



SIZE	PRESSURE	CODE	PACKING
1"	10bar/145psi	4890100AR	2/48

## TECHNICAL SPECIFICATIONS

Available size: 1".

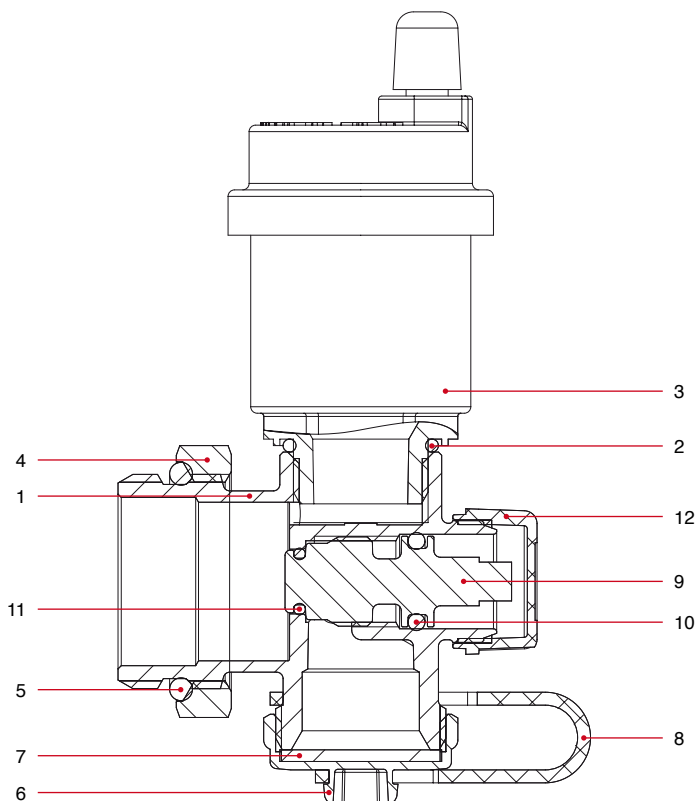
Consisting of:

- adjustable male end fitting for manifolds
- automatic air vent valve
- drain valve

Maximum working temperature: 80°C.

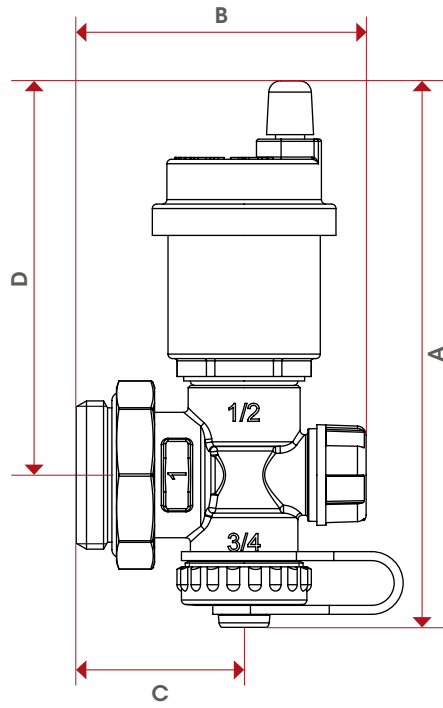
Threads: ISO228 (equivalent to DIN EN ISO 228 and BS EN ISO 228).

## MATERIALS



POS.	DESCRIPTION	N.	MATERIAL
1	Body	1	Nickel-plated brass CW617N
2	O-ring	1	EPDM
3	Automatic air-vent valve compact	1	Nickel-plated brass CW617N
4	Nut	1	Nickel-plated brass CW614N
5	O-ring	1	NBR
6	Cap	1	Nickel-plated brass CW617N
7	Washer	1	IDROTEN
8	Strap	1	PVC
9	Bonnet	1	Brass CW614N
10	O-ring	1	EPDM
11	O-ring	1	NBR
12	Cap	1	ABS

OVERALL  
DIMENSIONS



	<b>1"</b>
A	122
B	64,7
C	37,5
D	88
Kg /cm <sup>2</sup> bar	10
LBS - psi	145

CERTIFICATIONS



# 489AGR

ADJUSTABLE END PIECE  
WITH DRAIN VALVE  
AND AUTOMATIC  
AIR VENT VALVE



SIZE	PRESSURE	CODE	PACKING
1"	10bar/145psi	4890100AGR	2/48

## TECHNICAL SPECIFICATIONS

Available size: 1".

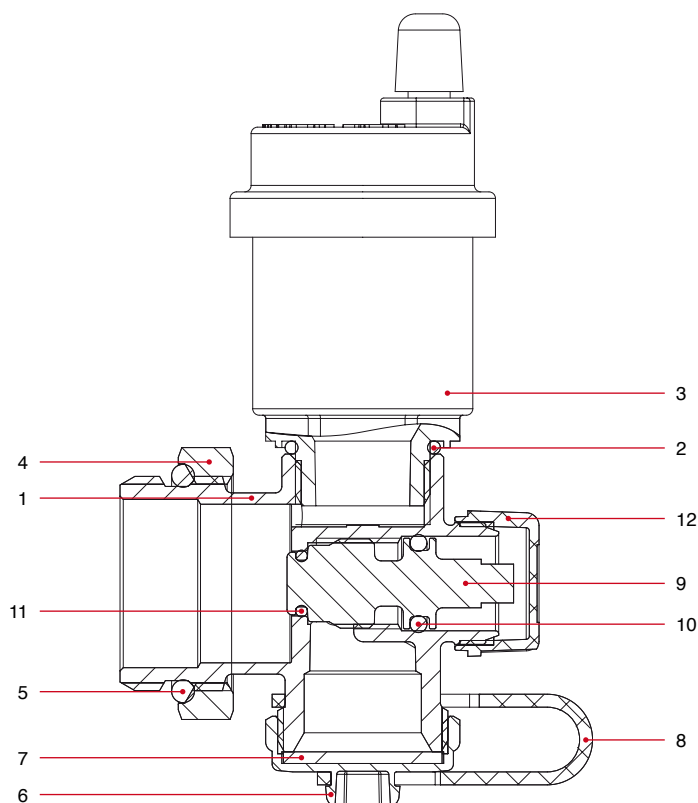
Consisting of:

- adjustable male end fitting for manifolds
- automatic air vent valve
- drain valve

Maximum working temperature: 80°C.

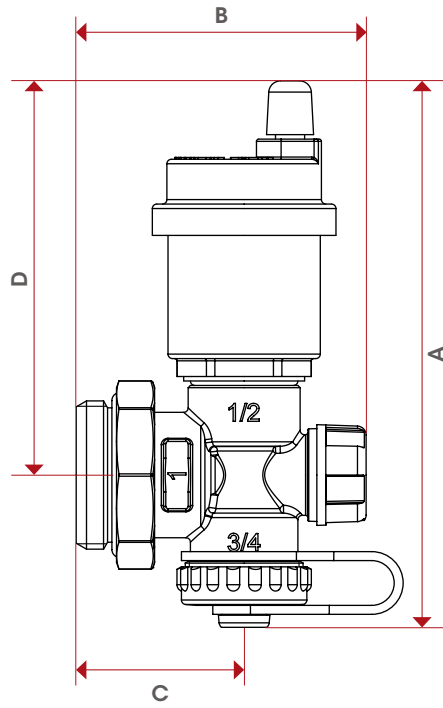
Threads: ISO228 (equivalent to DIN EN ISO 228 and BS EN ISO 228).

## MATERIALS



POS.	DESCRIPTION	N.	MATERIAL
1	Body	1	Brass CW617N
2	O-ring	1	EPDM
3	Automatic air-vent valve compact	1	Brass CW617N
4	Nut	1	Brass CW614N
5	O-ring	1	NBR
6	Cap	1	Brass CW617N
7	Washer	1	IDROTEN
8	Strap	1	PVC
9	Bonnet	1	Brass CW614N
10	O-ring	1	EPDM
11	O-ring	1	NBR
12	Cap	1	ABS

OVERALL  
DIMENSIONS



	<b>1"</b>
A	122
B	64,7
C	37,5
D	88
Kg /cm <sup>2</sup> bar	10
LBS - psi	145

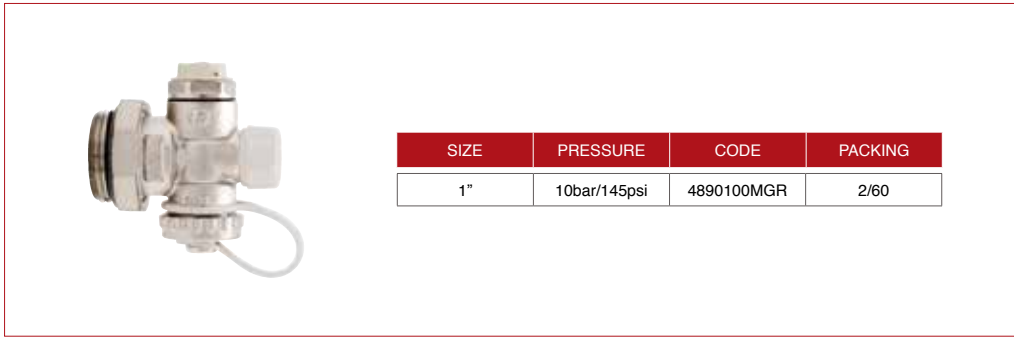
CERTIFICATIONS





# 489MR

NICKEL-PLATED  
ADJUSTABLE END PIECE  
WITH DRAIN VALVE  
AND MANUAL  
AIR VENT VALVE



## TECHNICAL SPECIFICATIONS

Available size: 1".

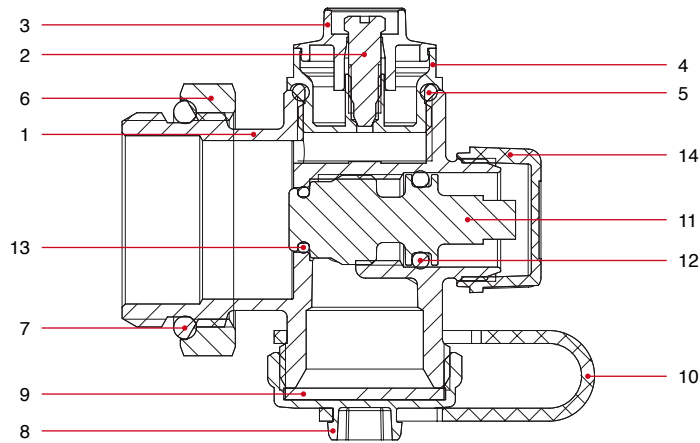
Consisting of:

- adjustable male end fitting for manifolds
- manual air vent valve
- drain valve

Maximum working temperature: 80°C.

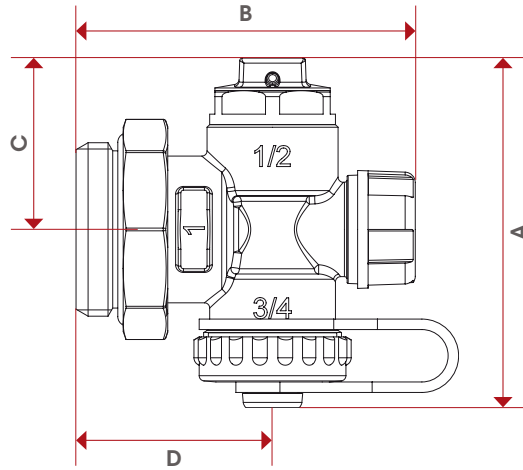
Threads: ISO228 (equivalent to DIN EN ISO 228 and BS EN ISO 228).

## MATERIALS



POS.	DESCRIPTION	N.	MATERIAL
1	Body	1	Nickel-plated brass CW617N
2	Screw	1	Nickel-plated brass CW614N
3	Cap	1	Nylon
4	Adjustable air vent valve body	1	Nickel-plated brass CW614N
5	O-ring	1	EPDM
6	Nut	1	Nickel-plated brass CW614N
7	O-ring	1	NBR
8	Cap	1	Nickel-plated brass CW617N
9	Washer	1	IDROTEN
10	Strap	1	PVC
11	Bonnet	1	Brass CW614N
12	O-ring	1	EPDM
13	O-ring	1	NBR
14	Cap	1	ABS

OVERALL  
DIMENSIONS



	1"
A	66,7
B	64,7
C	32,7
D	37,5
Kg/cm <sup>2</sup> bar	10
LBS - psi	145

CERTIFICATIONS



# 489MGR

ADJUSTABLE END PIECE  
WITH DRAIN VALVE  
AND MANUAL  
AIR VENT VALVE



SIZE	PRESSURE	CODE	PACKING
1"	10bar/145psi	4890100MGR	2/60

## TECHNICAL SPECIFICATIONS

Available size: 1".

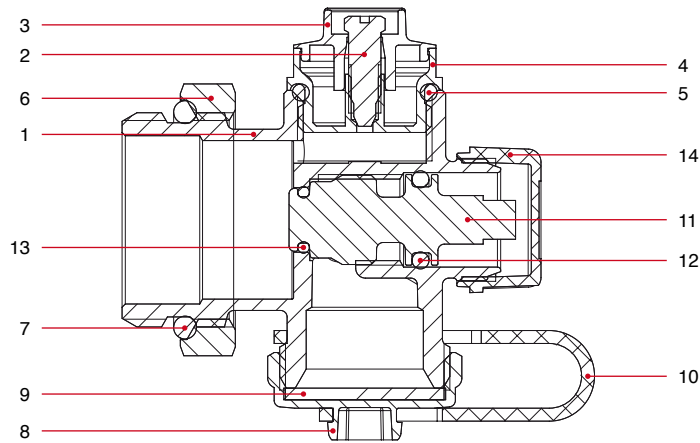
Consisting of:

- adjustable male end fitting for manifolds
- manual air vent valve
- drain valve

Maximum working temperature: 80°C.

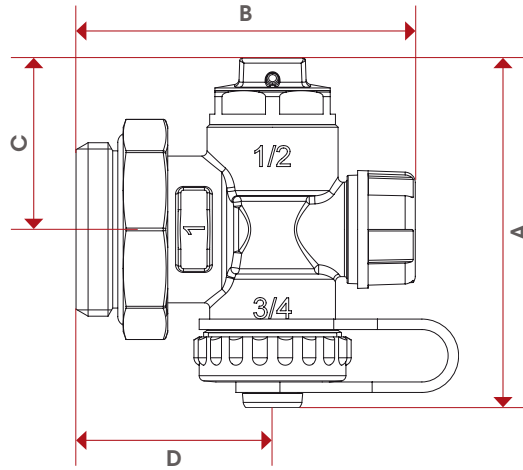
Threads: ISO228 (equivalent to DIN EN ISO 228 and BS EN ISO 228).

## MATERIALS



POS.	DESCRIPTION	N.	MATERIAL
1	Body	1	Brass CW617N
2	Screw	1	Brass CW614N
3	Cap	1	Nylon
4	Adjustable air vent valve body	1	Brass CW614N
5	O-ring	1	EPDM
6	Nut	1	Brass CW614N
7	O-ring	1	NBR
8	Cap	1	Brass CW617N
9	Washer	1	IDROTEN
10	Strap	1	PVC
11	Bonnet	1	Brass CW614N
12	O-ring	1	EPDM
13	O-ring	1	NBR
14	Cap	1	ABS

OVERALL  
DIMENSIONS



	1"
A	66,7
B	64,7
C	32,7
D	37,5
Kg/cm <sup>2</sup> bar	10
LBS - psi	145

CERTIFICATIONS



# 489A

NICKEL-PLATED  
ADJUSTABLE END PIECE  
WITH DRAIN VALVE  
AND AUTOMATIC  
AIR VENT VALVE



SIZE	PRESSURE	CODE	PACKING
1"	10bar/145psi	4890100A	1/50
1"1/4	10bar/145psi	4890114A	1/50

## TECHNICAL SPECIFICATIONS

Available size: 1", 1"1/4.

Consisting of:

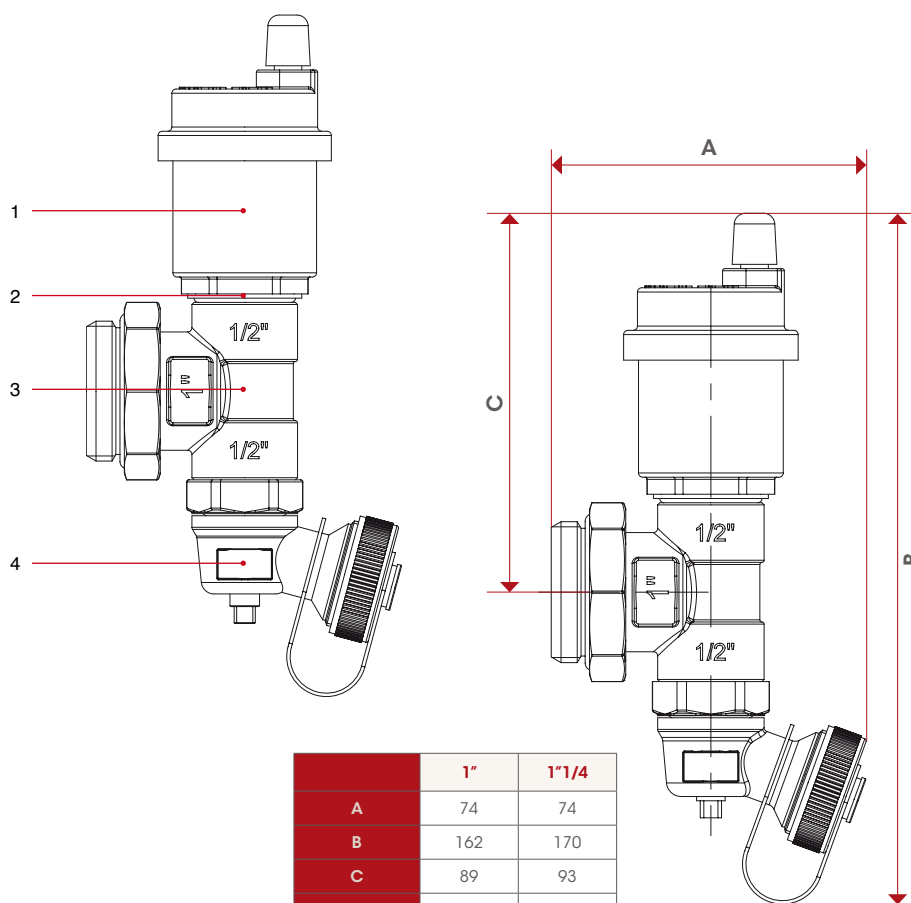
- adjustable male end fitting for manifolds
- automatic air vent valve
- adjustable drain valve

Maximum working temperature: 80°C.

Threads: ISO228 (equivalent to DIN EN ISO 228 and BS EN ISO 228).

## MATERIALS

POS.	DESCRIPTION	N.	MATERIAL
1	Automatic air vent valve	1	Nickel-plated brass CW617N
2	O-Ring	1	NBR
3	Male end fitting	1	Nickel-plated brass CW617N
4	Adjustable drain valve	1	Nickel-plated brass CW617N + Polymer



	1"	1"1/4
A	74	74
B	162	170
C	89	93
Kg/cm <sup>2</sup> bar	10	10
LBS - psi	145	145

## OVERALL DIMENSIONS

## CERTIFICATIONS



# 489AG

ADJUSTABLE END PIECE  
WITH DRAIN VALVE  
AND AUTOMATIC  
AIR VENT VALVE



SIZE	PRESSURE	CODE	PACKING
1"	10bar/145psi	4890100AG	1/50

## TECHNICAL SPECIFICATIONS

Available size: 1", 1 1/4.

Consisting of:

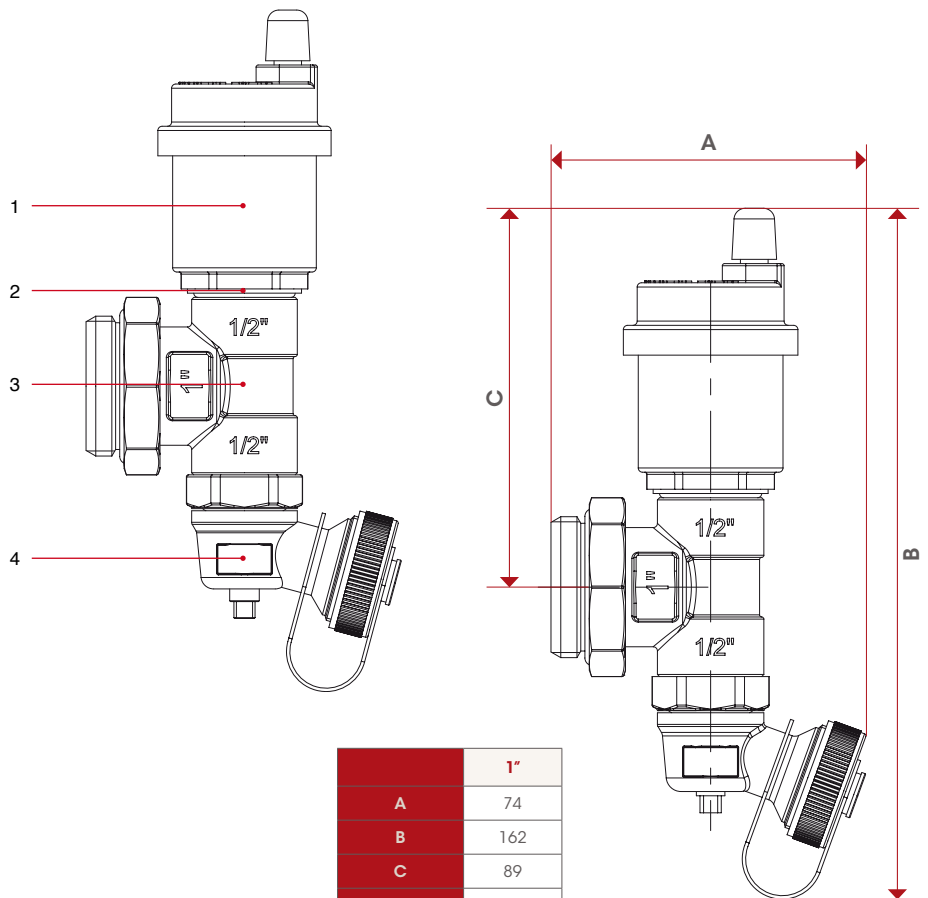
- adjustable male end fitting for manifolds
- automatic air vent valve
- adjustable drain valve

Maximum working temperature: 80°C.

Threads: ISO228 (equivalent to DIN EN ISO 228 and BS EN ISO 228).

## MATERIALS

POS.	DESCRIPTION	N.	MATERIAL
1	Automatic air vent valve	1	Brass CW617N
2	O-Ring	1	NBR
3	Male end fitting	1	Brass CW617N
4	Adjustable drain valve	1	Brass CW617N + Polymer



	1"
A	74
B	162
C	89
Kg/cm <sup>2</sup> bar	10
LBS - psi	145

## OVERALL DIMENSIONS

## CERTIFICATIONS



# 489M

NICKEL-PLATED  
ADJUSTABLE END PIECE  
WITH DRAIN VALVE  
AND MANUAL  
AIR VENT VALVE



SIZE	PRESSURE	CODE	PACKING
1"	10bar/145psi	4890100M	1/77
1"1/4	10bar/145psi	4890114M	1/77

## TECHNICAL SPECIFICATIONS

Available size: 1", 1"1/4.

Consisting of:

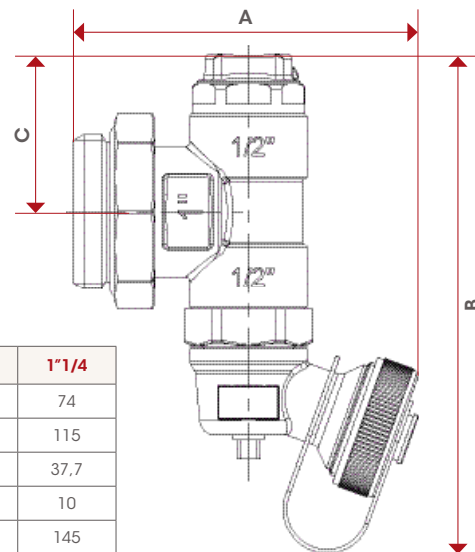
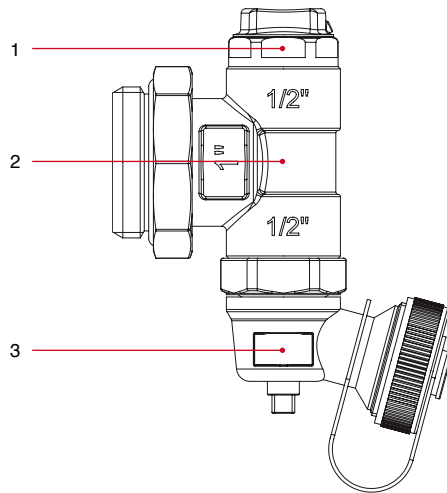
- adjustable male end fitting for manifolds
- manual air vent valve
- drain valve

Maximum working temperature: 80°C.

Threads: ISO228 (equivalent to DIN EN ISO 228 and BS EN ISO 228).

## MATERIALS

POS.	DESCRIPTION	N.	MATERIAL
1	Adjustable air vent valve	1	Nickel-plated brass CW614N
2	Male end fitting	1	Nickel-plated brass CW617N
3	Adjustable drain valve	1	Nickel-plated brass CW617N + Polymer



	1"	1"1/4
A	74	74
B	106	115
C	33.7	37.7
Kg/cm <sup>2</sup> bar	10	10
LBS - psi	145	145

## OVERALL DIMENSIONS

## CERTIFICATIONS



# 489MG

ADJUSTABLE END PIECE  
WITH DRAIN VALVE  
AND MANUAL  
AIR VENT VALVE



SIZE	PRESSURE	CODE	PACKING
1"	10bar/145psi	4890100MG	1/77

## TECHNICAL SPECIFICATIONS

Available size: 1".

Consisting of:

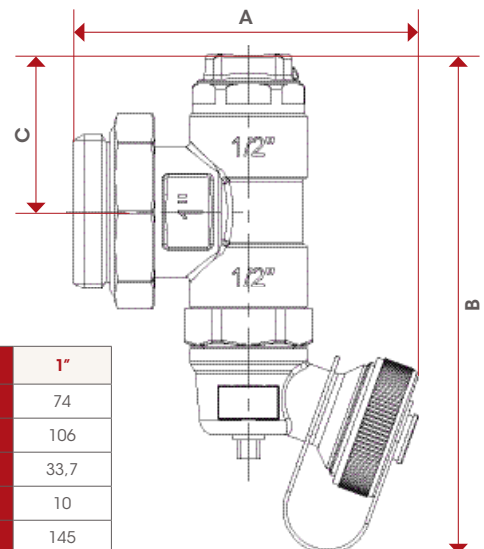
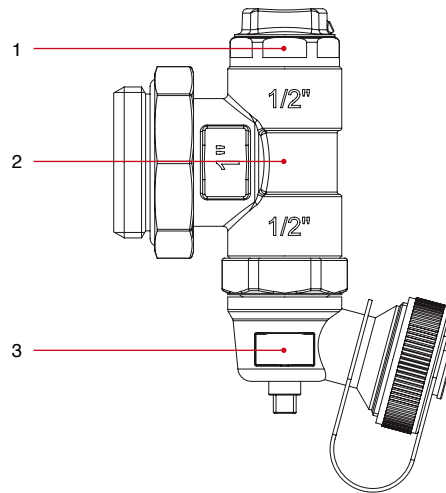
- adjustable male end fitting for manifolds
- manual air vent valve
- drain valve

Maximum working temperature: 80°C.

Threads: ISO228 (equivalent to DIN EN ISO 228 and BS EN ISO 228).

## MATERIALS

POS.	DESCRIPTION	N.	MATERIAL
1	Adjustable air vent valve	1	Brass CW614N
2	Male end fitting	1	Brass CW617N
3	Adjustable drain valve	1	Brass CW617N + Polymer



	<b>1"</b>
A	74
B	106
C	33,7
Kg/cm <sup>2</sup> bar	10
LBS - psi	145

## OVERALL DIMENSIONS

## CERTIFICATIONS





# 489SO

ADJUSTABLE  
DRAIN VALVE



SIZE	PRESSURE	CODE	PACKING
1/2"	10bar/145psi	4890012SO	35/280

## TECHNICAL SPECIFICATIONS

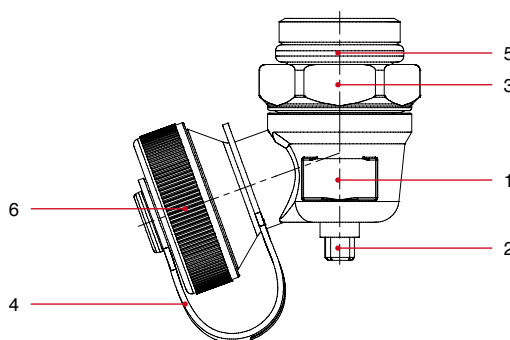
Body in brass.

Adjustable outflow in polymer.

Maximum working temperature: 80°C.

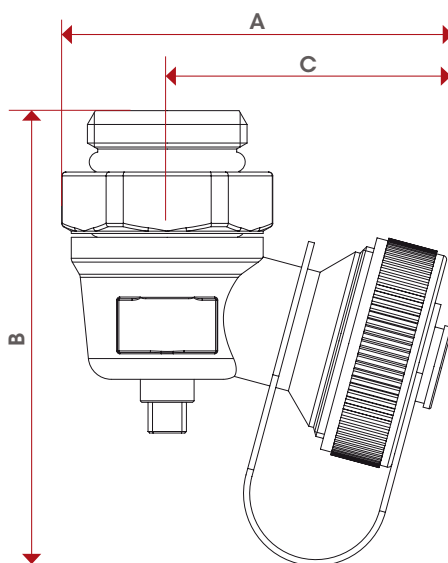
Thread ISO228 (equivalent to DIN EN ISO 228 and BS EN ISO 228).

## MATERIALS



POS.	DESCRIPTION	N.	MATERIAL
1	External body	1	Nylon
2	Shutter	1	Nickel-plated brass CW617N
3	Inner body	1	Nickel-plated brass CW617N
4	Trap	1	Polyetylen
5	O-Ring	1	EPDM
-	Washer	1	SBR
6	Cap	1	Nickel-plated brass CW617N

## OVERALL DIMENSIONS



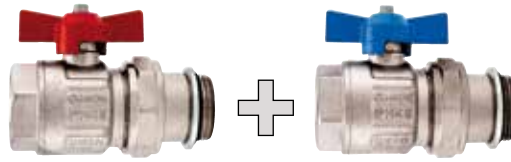
	1/2"
A	51
B	59
C	37
Kg/cm <sup>2</sup> bar	10
LBS - psi	145

## CERTIFICATIONS



# 098SK

STRAIGHT  
BALL VALVES KIT



SIZE	PRESSURE	CODE	PACKING
3/4"X1"	40bar/580psi	0980034100SK	1/23
1"	40bar/580psi	0980100SK	1/18

## TECHNICAL SPECIFICATIONS

Kit consisting of: 2 ball valves art. 098S, red and blue T handles.

Available size: 1".

Male/female threads.

T handle in aluminium.

Body in nickel-plated brass.

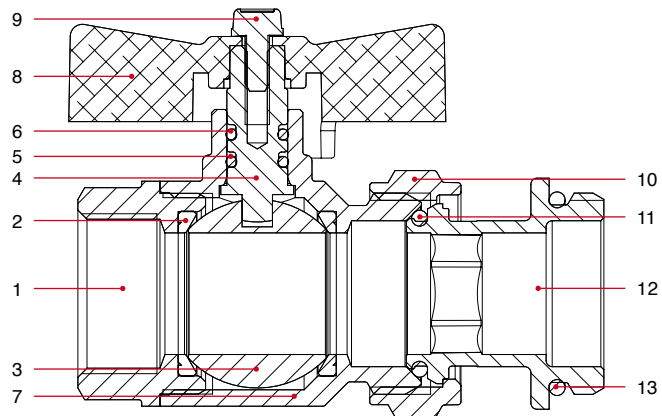
Minimum and maximum working temperatures:

-20°C, 150°C in absence of steam.

Threads: ISO228 (equivalent to DIN EN ISO 228 and BS EN ISO 228).

Code 0980034100SK: 3/4" F x 1" M.

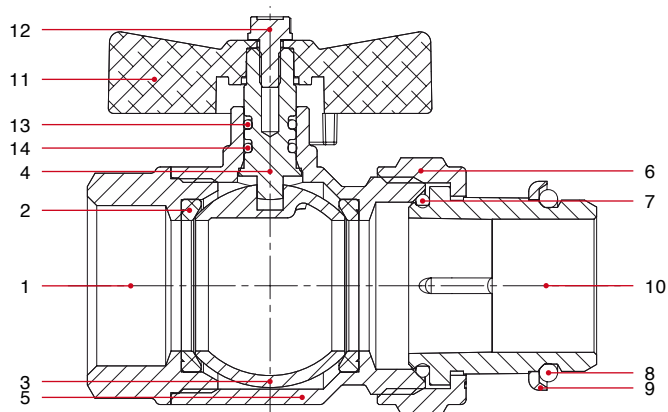
## MATERIALS 3/4"X1"



POS.	DESCRIPTION	N.	MATERIAL
1	End adapter	1	Nickel-plated brass CW617N
2	Seat	2	P.T.F.E.
3	Ball	1	Chrome-plated brass CW617N
4	Stem	1	Brass CW614N
5	O-Ring	1	NBR
6	O-Ring	1	VITON®
7	Body	1	Nickel-plated brass CW617N
8	T handle	1	Aluminium
9	Screw	1	Zinc-plated steel Fe CB4
10	Nut	1	Nickel-plated brass CW617N
11	O-Ring	1	NBR
12	Union	1	Nickel-plated brass CW617N
13	O-Ring	1	EPDM

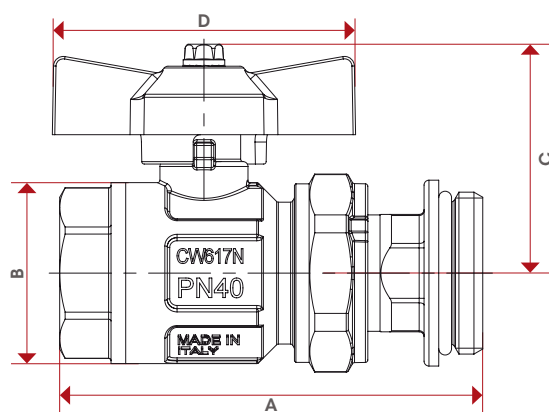


## MATERIALS 1"

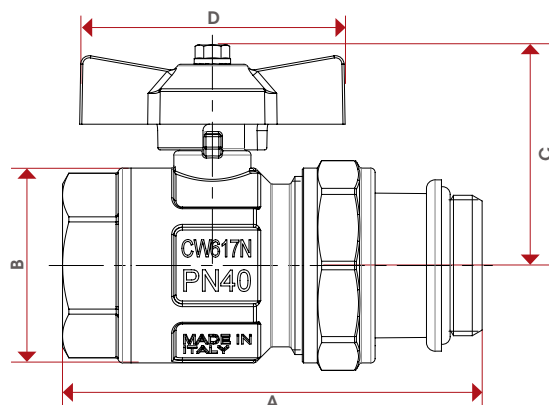


POS.	DESCRIPTION	N.	MATERIAL
1	End adapter	1	Nickel-plated brass CW617N
2	Seat	2	P.T.F.E.
3	Ball	1	Chrome-plated brass CW617N
4	Stem	1	Brass CW614N
5	Body	1	Nickel-plated brass CW617N
6	Nut	1	Nickel-plated brass CW617N
7	O-Ring	1	NBR
8	O-Ring	1	NBR
9	Ring	1	Steel Fe
10	Union	1	Nickel-plated brass CW617N
11	T handle	1	Aluminium
12	Screw	1	Zinc-plated steel Fe CB4
13	O-Ring	1	VITON®
14	O-Ring	1	NBR

## OVERALL DIMENSIONS



3/4"X1"	
DN	20
A	86,5
B	37
C	47
D	62
Kg/cm <sup>2</sup> bar	40
LBS - psi	580



1"	
DN	25
A	98
B	45,5
C	51,5
D	62
Kg/cm <sup>2</sup> bar	40
LBS - psi	580

# 298SK

ANGLE  
BALL VALVES KIT



SIZE	PRESSURE	CODE	PACKING
1"	40bar/580psi	2980100SK	1/11

## TECHNICAL SPECIFICATIONS

Kit consisting of: 2 ball valves art. 298S, red and blue T handles.

Available size: 1".

Male/female threads.

T handle in aluminium.

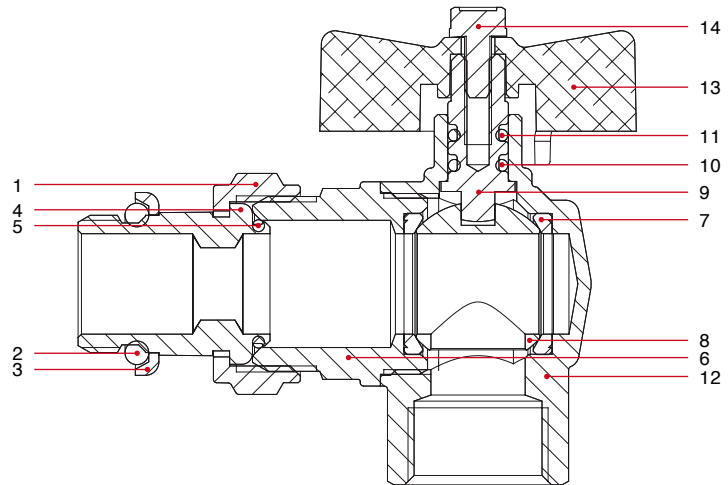
Body in nickel-plated brass.

Minimum and maximum working temperatures:

-20°C, 150°C in absence of steam.

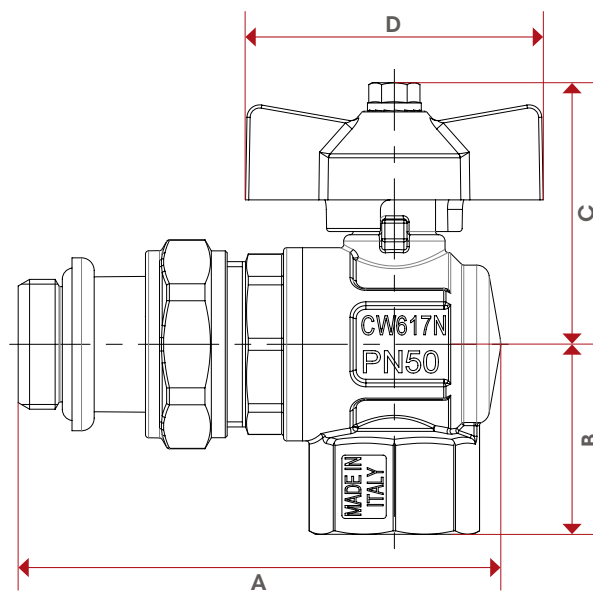
Threads: ISO228 (equivalent to DIN EN ISO 228 and BS EN ISO 228).

## MATERIALS



POS.	DESCRIPTION	N.	MATERIAL
1	Nut	1	Nickel-plated brass CW617N
2	O-Ring	1	NBR
3	Ring	1	Steel Fe
4	Union	1	Nickel-plated brass CW617N
5	O-Ring	1	NBR
6	End adapter	1	Nickel-plated brass CW617N
7	Seat	2	P.T.F.E.
8	Ball	1	Chrome-plated brass CW617N
9	Stem	1	Brass CW614N
10	O-Ring	1	NBR
11	O-Ring	1	VITON®
12	Body	1	Nickel-plated brass CW617N
13	T handle	1	Aluminium
14	Screw	1	Zinc-plated steel Fe CB4



OVERALL  
 DIMENSIONS


	<b>1"</b>
DN	25
A	105,5
B	39,75
C	51
D	62
Kg/cm <sup>2</sup> bar	40
LBS - psi	580

# 487K01

STRAIGHT BALL VALVES  
AND THERMOMETER  
UNION KIT



SIZE	PRESSURE	CODE	PACKING
1"	10bar/145psi	4870100K01	1/18

## TECHNICAL SPECIFICATIONS

Kit consisting of: 2 ball valves art. 098SDC, red and blue T handles and 2 thermometer unions complete with thermometers art. 492BC.  
Available size: 1".

Valves specifications:

Male/female threads.

T handle in aluminium.

Body in nickel-plated brass.

Minimum and maximum working temperatures:

-20°C, 150°C in absence of steam.

Threads: ISO228 (equivalent to DIN EN ISO 228 and BS EN ISO 228).

Male thread with conical seat.

Thermometer unions specifications:

Body in nickel-plated brass.

O-ring in NBR.

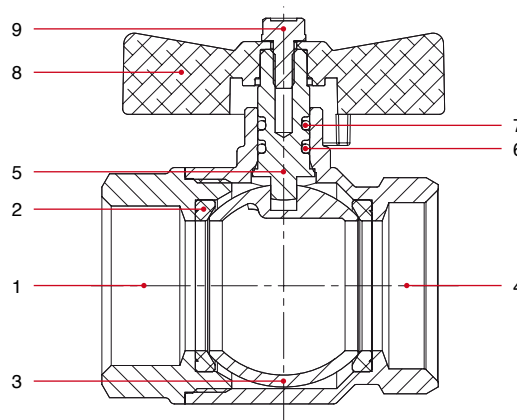
Thermometer scale: 0°C , 80°C.

Diameter: mm.40.

Maximum working temperature: 80°C.

Threads: ISO228 (equivalent to DIN EN ISO 228 and BS EN ISO 228).

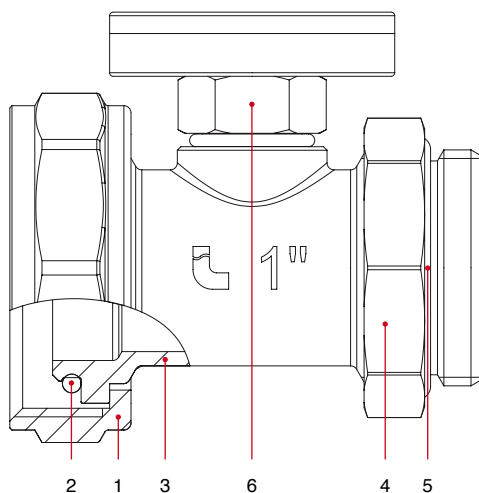
## MATERIALS



POS.	DESCRIPTION	N.	MATERIAL
1	End adapter	1	Nickel-plated brass CW617N
2	Seat	2	P.T.F.E.
3	Ball	1	Chrome-plated brass CW617N
4	Body	1	Nickel-plated brass CW617N
5	Stem	1	Brass CW614N
6	O-Ring	1	NBR
7	O-Ring	1	VITON®
8	T handle	1	Aluminium
9	Screw	1	Zinc-plated steel Fe CB4

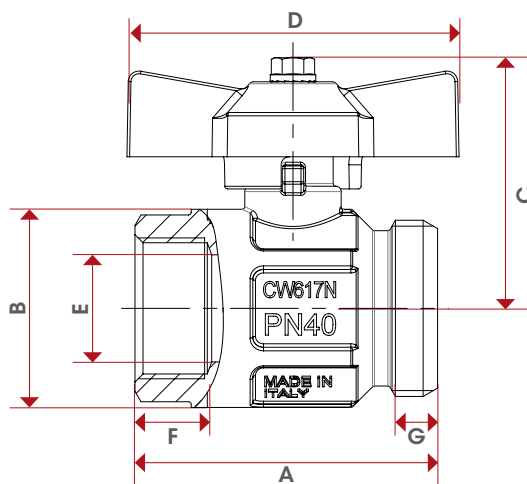


## MATERIALS

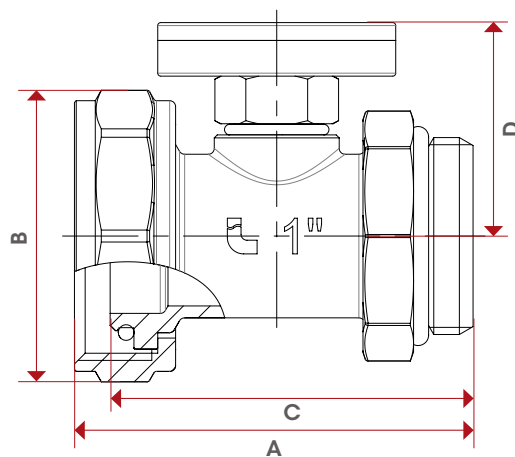


POS.	DESCRIPTION	N.	MATERIAL
1	Nut	1	Nickel-plated brass CW617N
2	O-ring	1	NBR
3	Thermometer fitting	1	Nickel-plated brass CW617N
4	Nut	1	Nickel-plated brass CW614N
5	O-ring	1	NBR
6	Thermometer	1	Brass CW614N

## OVERALL DIMENSIONS



	1"
DN	25
A	64,75
B	45,5
C	51,5
D	62
E	25
F	15
G	10,5
Kg/cm <sup>2</sup> bar	40
LBS - psi	580



	1"
A	67
B	49
C	61
D	36
Kg/cm <sup>2</sup> bar	10
LBS - psi	145

## CERTIFICATIONS



# 487K02

ANGLE BALL VALVES  
AND THERMOMETER  
UNION KIT



SIZE	PRESSURE	CODE	PACKING
1"	10bar/145psi	4870100K02	1/13

## TECHNICAL SPECIFICATIONS

Kit consisting of: 2 ball valves art. 298SDC, red and blue T handles and 2 thermometer unions complete with thermometers art. 492BC.  
Available size: 1".

Valves specifications:

Male/female threads.

T handle in aluminium.

Body in nickel-plated brass.

Minimum and maximum working temperatures:

-20°C, 150°C in absence of steam.

Threads: ISO228 (equivalent to DIN EN ISO 228 and BS EN ISO 228).

Male thread with conical seat.

Thermometer unions specifications:

Body in nickel-plated brass.

O-ring in NBR.

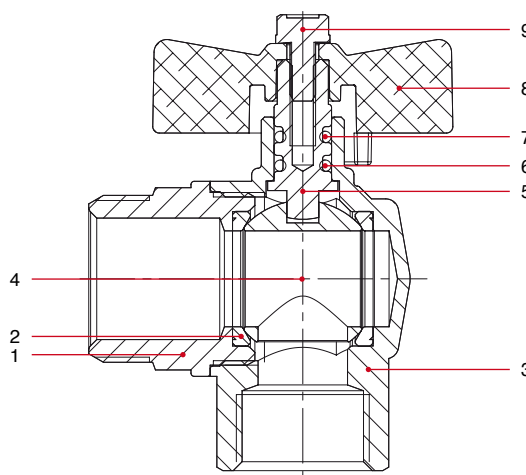
Thermometer scale: 0°C , 80°C.

Diameter: mm.40.

Maximum working temperature: 80°C.

Threads: ISO228 (equivalent to DIN EN ISO 228 and BS EN ISO 228).

## MATERIALS

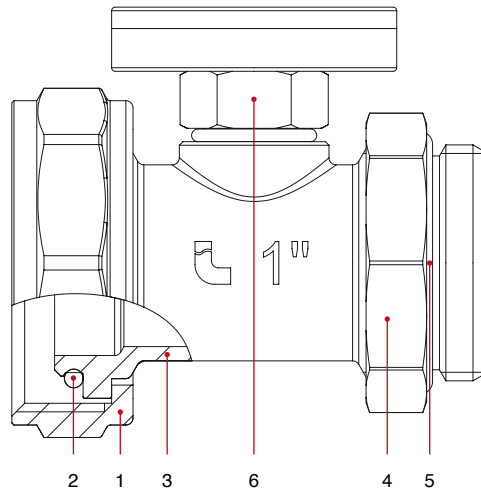


POS.	DESCRIPTION	N.	MATERIAL
1	End adapter	1	Nickel-plated brass CW617N
2	Seat	2	P.T.F.E.
3	Body	1	Nickel-plated brass CW617N
4	Ball	1	Chrome-plated brass CW617N
5	Stem	1	Brass CW614N
6	O-Ring	1	NBR
7	O-Ring	1	VITON®
8	T handle	1	Aluminium
9	Screw	1	Zinc-plated steel Fe CB4



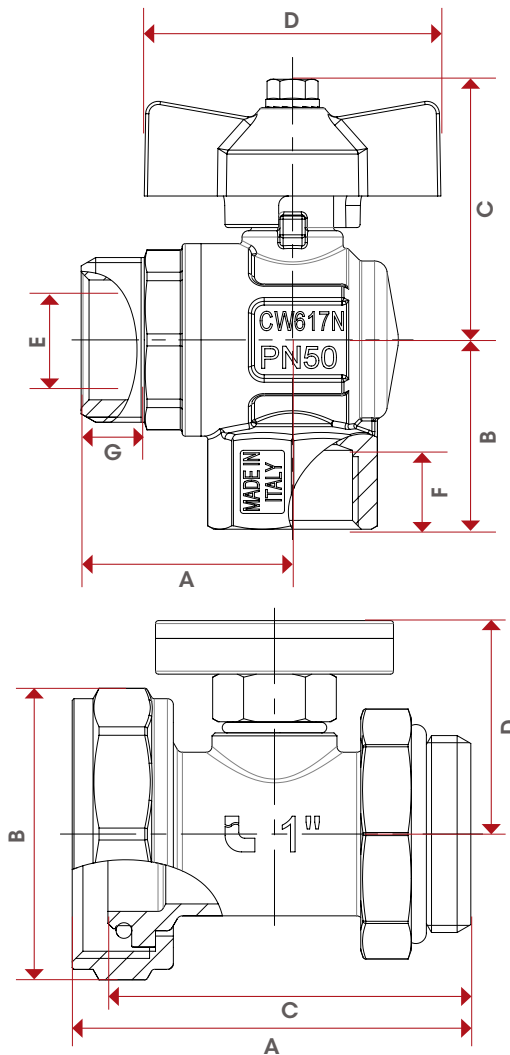


## MATERIALS



POS.	DESCRIPTION	N.	MATERIAL
1	Nut	1	Nickel-plated brass CW617N
2	O-ring	1	NBR
3	Thermometer fitting	1	Nickel-plated brass CW617N
4	Nut	1	Nickel-plated brass CW614N
5	O-ring	1	NBR
6	Thermometer	1	Brass CW614N

## OVERALL DIMENSIONS



	1"
DN	25
A	47
B	39,75
C	51
D	62
E	23
F	15
G	14
Kg/cm <sup>2</sup> bar	40
LBS - psi	580

	1"
A	67
B	49
C	61
D	36
Kg/cm <sup>2</sup> bar	10
LBS - psi	145

## CERTIFICATIONS



# 490

## MALE END FITTING FOR MANIFOLDS



SIZE	PRESSURE	CODE	PACKING
3/4"	10bar/145psi	4900034	14/224
1"	10bar/145psi	4900100	12/156
1"1/4	10bar/145psi	4900114	8/128

### TECHNICAL SPECIFICATIONS

Available sizes: 3/4", 1", 1"1/4 (main connection).

Size of the first outlet: 1/2".

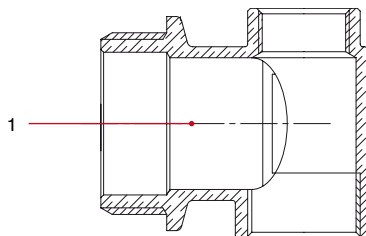
Size of the second outlet: 3/8".

Body in nickel-plated brass.

Maximum working temperature: 110°C.

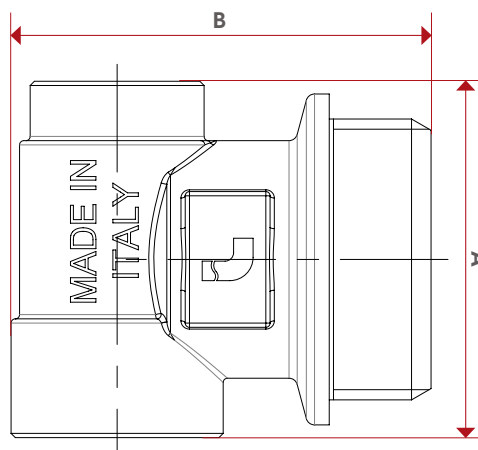
Thread ISO228 (equivalent to DIN EN ISO 228 and BS EN ISO 228).

### MATERIALS



POS.	DESCRIPTION	N.	MATERIAL
1	Body	1	Nickel-plated brass CW617N

### OVERALL DIMENSIONS



	3/4"	1"	1"1/4
A	42	42	50
B	47,5	49,5	50
Kg/cm <sup>2</sup> bar	10	10	10
LBS - psi	145	145	145

### CERTIFICATIONS



# 490S

ADJUSTABLE MALE  
END FITTING  
FOR MANIFOLDS



SIZE	PRESSURE	CODE	PACKING
1"	10bar/145psi	4900100S	12/156
1"1/4	10bar/145psi	4900114S	8/152

## TECHNICAL SPECIFICATIONS

Available sizes: 1", 1"1/4 (main connection).

Size of the outlets: 1/2".

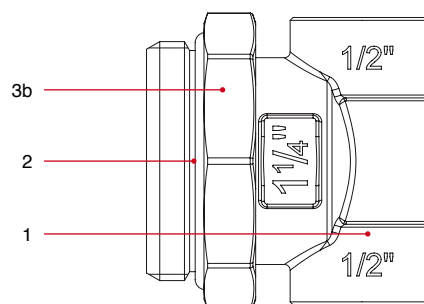
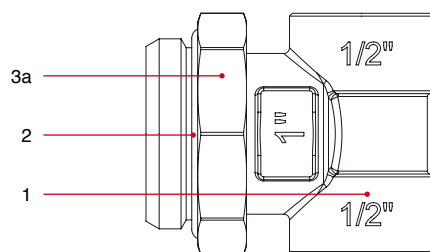
Body in nickel-plated brass.

O-ring in NBR.

Maximum working temperature: 110°C.

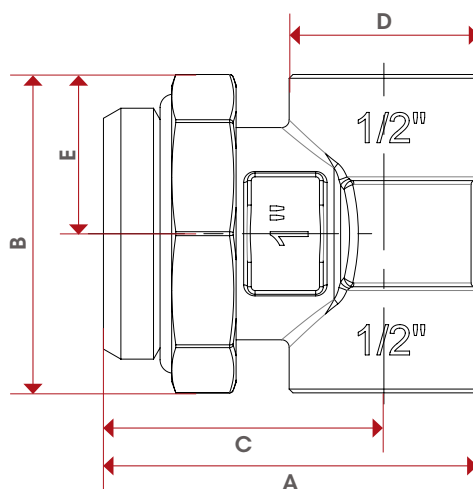
Thread ISO228 (equivalent to DIN EN ISO 228 and BS EN ISO 228).

## MATERIALS



POS.	DESCRIPTION	N.	MATERIAL
1	Body for end fitting	1	Nickel-plated brass CW617N
2	O-ring	1	NBR
3a	Nut	1	Nickel-plated brass CW614N
3b	Nut	1	Nickel-plated brass CW617N

## OVERALL DIMENSIONS



	1"	1"1/4
A	49,5	50
B	42	50
C	37	37,5
D	25	25
E	21	25
Kg/cm <sup>2</sup> bar	10	10
LBS - psi	145	145

## CERTIFICATIONS



# 491

## FEMALE END FITTING FOR MANIFOLDS



SIZE	PRESSURE	CODE	PACKING
3/4"	10bar/145psi	4910034	14/294
1"	10bar/145psi	4910100	12/252

### TECHNICAL SPECIFICATIONS

Available sizes: 3/4", 1" (main connection).

Size of the first outlet: 1/2".

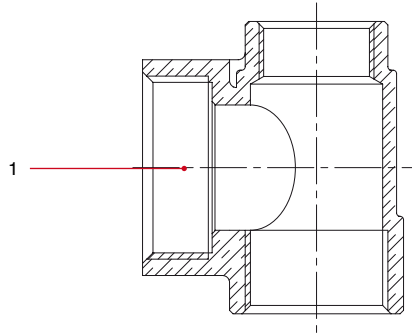
Size of the second outlet: 3/8".

Body in nickel-plated brass.

Maximum working temperature: 110°C.

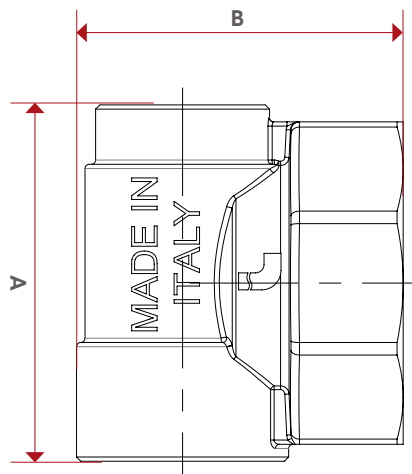
Thread ISO228 (equivalent to DIN EN ISO 228 and BS EN ISO 228).

### MATERIALS



POS.	DESCRIPTION	N.	MATERIAL
1	Body	1	Nickel-plated brass CW617N

### OVERALL DIMENSIONS



	3/4"	1"
A	42	42
B	37,5	38,5
Kg/cm <sup>2</sup> bar	10	10
LBS - psi	145	145

### CERTIFICATIONS



# 492

## THERMOMETER FITTING



SIZE	PRESSURE	CODE	PACKING
1"	10bar/145psi	4920100	6/126
1"1/4	10bar/145psi	4920114	4/120

## TECHNICAL SPECIFICATIONS

Available sizes: 1", 1"1/4.

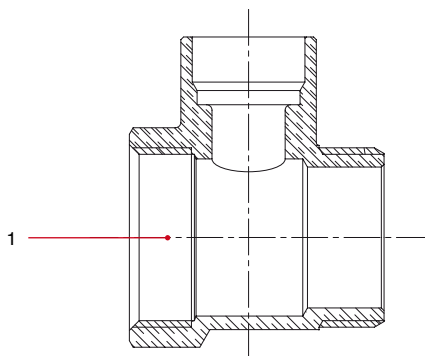
Size of the thermometer thread: 1/2".

Body in nickel-plated brass.

Maximum working temperature: 110°C.

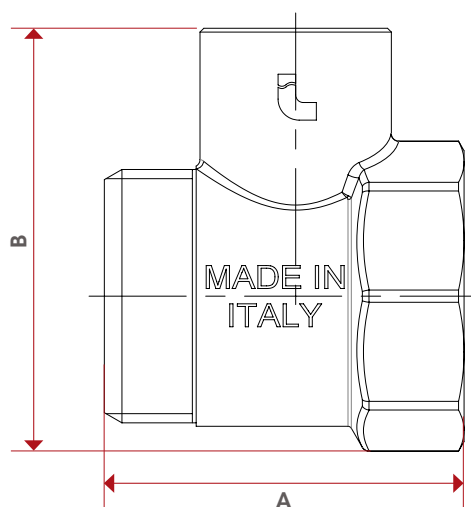
Thread ISO228 (equivalent to DIN EN ISO 228 and BS EN ISO 228).

## MATERIALS



POS.	DESCRIPTION	N.	MATERIAL
1	Body	1	Nickel-plated brass CW617N

## OVERALL DIMENSIONS



	1"	1"1/4
A	47	48
B	55,5	60
Kg/cm <sup>2</sup> bar	10	10
LBS - psi	145	145

## CERTIFICATIONS



# 492B

## THERMOMETER UNION



SIZE	PRESSURE	CODE	PACKING
1"	10bar/145psi	4920100B	8/128
1 1/4"	10bar/145psi	4920114B	4/64

### TECHNICAL SPECIFICATIONS

Available sizes: 1" M x 1 1/4 F, 1 1/4 M x 1 1/2 F.

Size of the thermometer thread: 3/8".

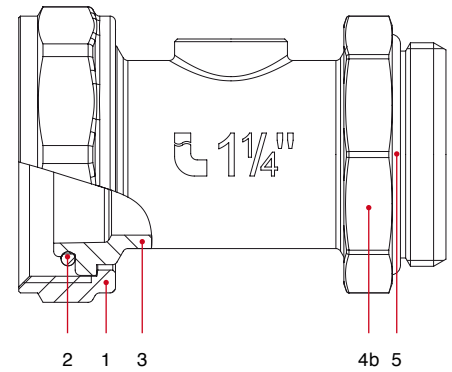
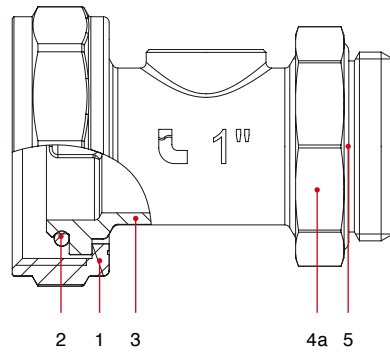
Body in nickel-plated brass. O-ring in NBR.

Maximum working temperature: 110°C.

Thread ISO228 (equivalent to DIN EN ISO 228 and BS EN ISO 228).

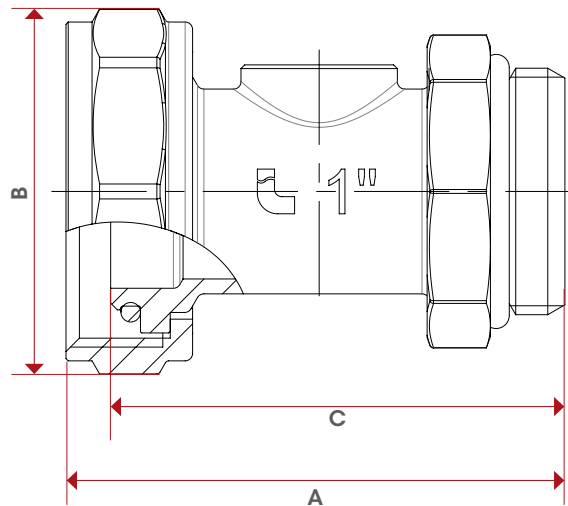
Suitable for ball valve art. 098SDC.

### MATERIALS



POS.	DESCRIPTION	N.	MATERIAL
1	Nut	1	Nickel-plated brass CW617N
2	O-ring	1	NBR
3	Thermometer fitting	1	Nickel-plated brass CW617N
4a	Nut	1	Nickel-plated brass CW614N
4b	Nut	1	Nickel-plated brass CW617N
5	O-ring	1	NBR

### OVERALL DIMENSIONS



	1"	1 1/4"
A	67	79,5
B	49	55
C	61	73
Kg/cm <sup>2</sup> bar	10	10
LBS - psi	145	145

### CERTIFICATIONS



# 492C

THERMOMETER  
FITTING  
COMPLETE WITH  
THERMOMETER



SIZE	PRESSURE	CODE	PACKING
1"	10bar/145psi	4920100C	4/120
1"1/4	10bar/145psi	4920114C	4/96

## TECHNICAL SPECIFICATIONS

Available sizes: 1", 1"1/4.

Body in nickel-plated brass.

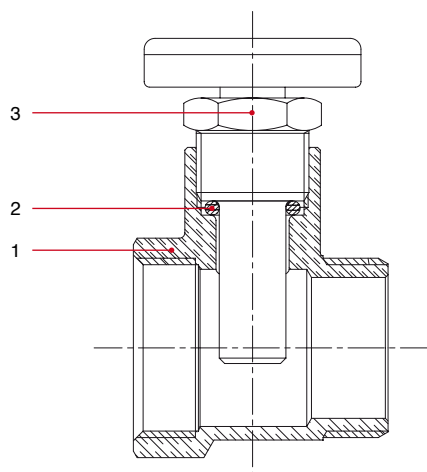
Thermometer scale: 0°C-120°C, diameter mm.40.

Thermometer complying with INAIL regulations (ex ISPESEL).

Maximum working temperature: 110°C.

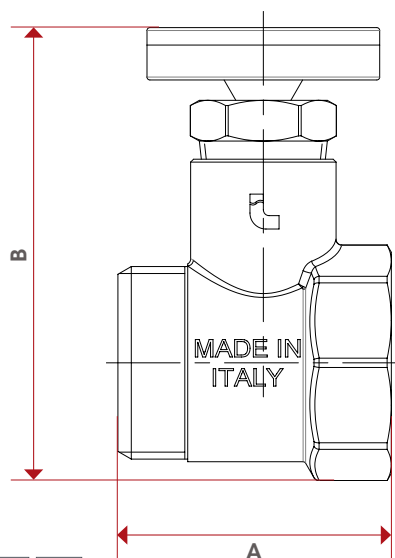
Thread ISO228 (equivalent to DIN EN ISO 228 and BS EN ISO 228).

## MATERIALS



POS.	DESCRIPTION	N.	MATERIAL
1	Body	1	Nickel-plated brass CW617N
2	O-ring	1	NBR
3	Thermometer	1	ABS

## OVERALL DIMENSIONS



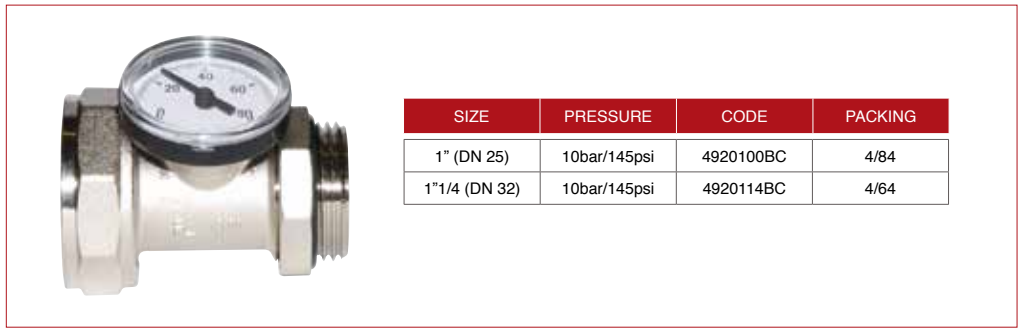
	1"	1"1/4
A	47	48
B	78	83
Kg/cm <sup>2</sup> bar	10	10
LBS - psi	145	145

## CERTIFICATIONS



# 492BC

THERMOMETER UNION  
COMPLETE WITH  
THERMOMETER



SIZE	PRESSURE	CODE	PACKING
1" (DN 25)	10bar/145psi	4920100BC	4/84
1"1/4 (DN 32)	10bar/145psi	4920114BC	4/64

## TECHNICAL SPECIFICATIONS

Body in nickel-plated brass.

O-ring in NBR.

Thermometer scale: 0°C-80°C.

Diameter: mm.40.

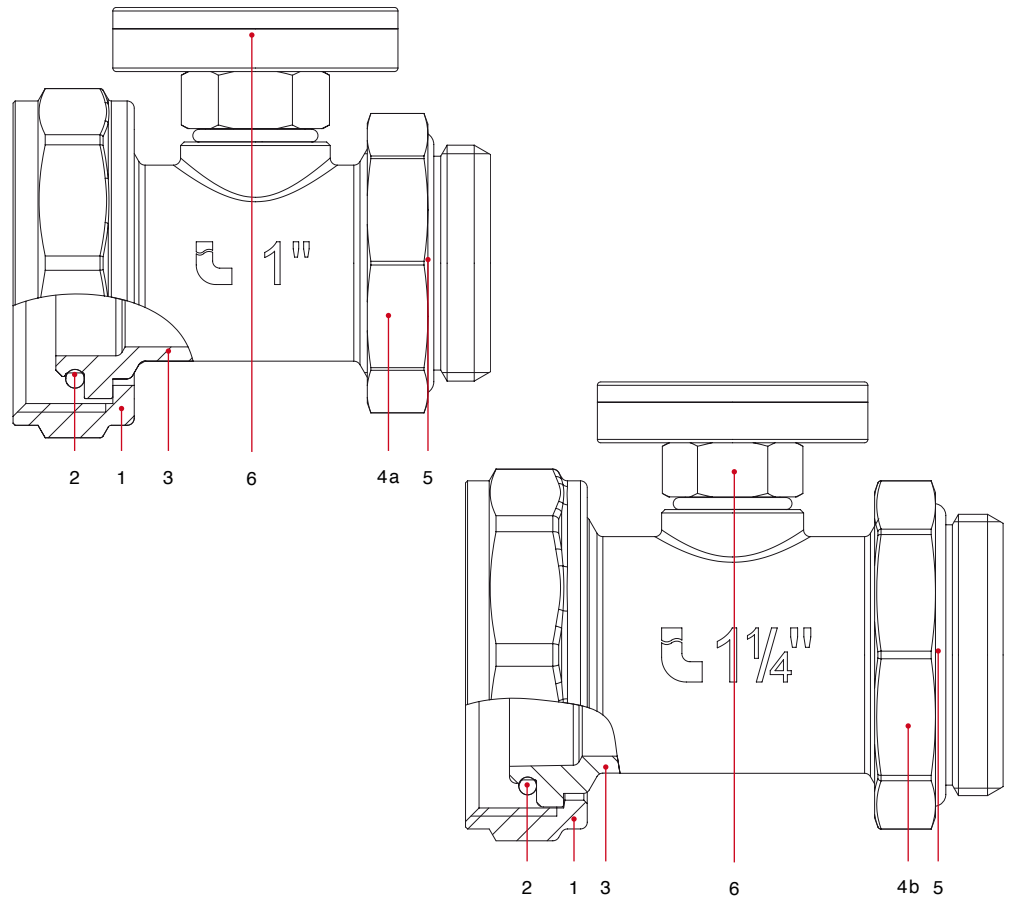
Maximum working temperature: 80°C.

Thread ISO228 (equivalent to DIN EN ISO 228 and BS EN ISO 228).

Suitable for ball valve art. 098SDC.

Available sizes: 1" Mx1"1/4 F - 1"1/4 Mx1"1/2 F

## MATERIALS

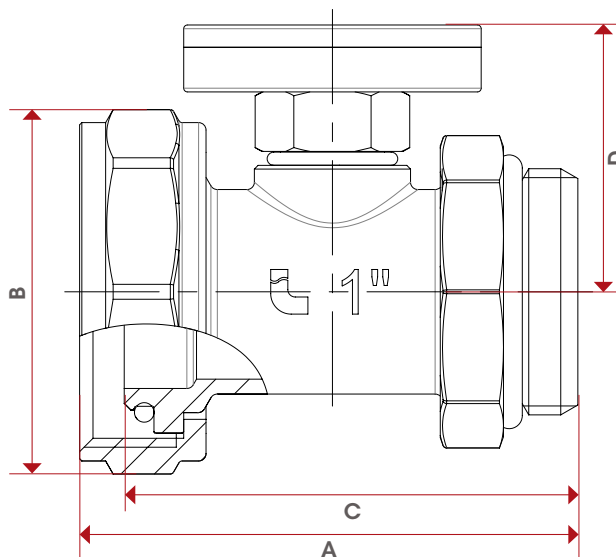


POS.	DESCRIPTION	N.	MATERIAL
1	Nut	1	Nickel-plated brass CW617N
2	O-ring	1	NBR
3	Thermometer fitting	1	Nickel-plated brass CW617N
4a	Nut	1	Nickel-plated brass CW614N
4b	Nut	1	Nickel-plated brass CW617N
5	O-ring	1	NBR
6	Thermometer	1	Brass CW614N





## OVERALL DIMENSIONS



	1"	1 1/4"
A	67	79,5
B	49	55
C	61	73
D	36	40
Kg/cm <sup>2</sup> bar	10	10
LBS - psi	145	145

## CERTIFICATIONS



# 494

## MALE END CAP WITH O-RING

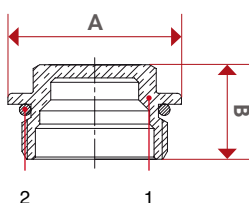


SIZE	PRESSURE	CODE	PACKING
3/8"	10bar/145psi	4940038	50/1100
1/2"	10bar/145psi	4940012	40/720
3/4"	10bar/145psi	4940034	26/598
1"	10bar/145psi	4940100	16/384
1 1/4"	10bar/145psi	4940114	12/264

### TECHNICAL SPECIFICATIONS

Body in nickel-plated brass.  
 O-ring in EPDM.  
 Maximum working temperature: 110°C.  
 Threads: ISO228 (equivalent to DIN EN ISO 228 and BS EN ISO 228).

### MATERIALS AND OVERALL DIMENSIONS



	3/8"	1/2"	3/4"	1"	1 1/4"
<b>A</b>	24	26	33	39,5	48
<b>B</b>	13	14,5	17	18	22,5
<b>Kg/cm² bar</b>	10	10	10	10	10
<b>LBS - psi</b>	145	145	145	145	145

### CERTIFICATIONS



POS.	DESCRIPTION	N.	MATERIAL
1	Cap	1	Nickel-plated brass CW617N
2	O-ring	1	EPDM

# 495

## MALE END FITTING WITH O-RING

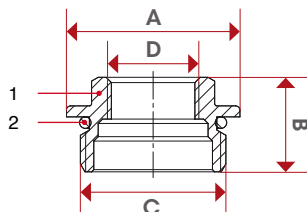


SIZE	PRESSURE	CODE	PACKING
3/4"x3/8"	10bar/145psi	4950034038	26/598
3/4"x1/2"	10bar/145psi	4950034012	26/780
1"x3/8"	10bar/145psi	4950100038	16/384
1"x1/2"	10bar/145psi	4950100012	16/384
1 1/4"x1/2"	10bar/145psi	4950114012	12/264

### TECHNICAL SPECIFICATIONS

Available sizes: 3/4"x3/8", 3/4"x1/2", 1"x3/8", 1"x1/2", 1 1/4"x1/2".  
 Body in nickel-plated brass.  
 O-ring in EPDM.  
 Maximum working temperature: 110°C.  
 Thread ISO228 (equivalent to DIN EN ISO 228 and BS EN ISO 228).

### MATERIALS AND OVERALL DIMENSIONS



	3/4"x3/8"	3/4"x1/2"	1"x3/8"	1"x1/2"	1 1/4"x3/8"
<b>A</b>	33	33	39,5	39,5	48
<b>B</b>	17	17	18	18	22,5
<b>C</b>	3/4"	3/4"	1"	1"	1 1/4"
<b>D</b>	3/8"	1/2"	3/8"	1/2"	1/2"
<b>Kg/cm² bar</b>	10	10	10	10	10
<b>LBS - psi</b>	145	145	145	145	145

### CERTIFICATIONS



POS.	DESCRIPTION	N.	MATERIAL
1	Cap	1	Nickel-plated brass CW617N
2	O-ring	1	EPDM

# 496

## MALE END CAP WITH WASHER



SIZE	PRESSURE	CODE	PACKING
1/2"	10bar/145psi	4960012	40/1200
3/4"	10bar/145psi	4960034	26/598
1"	10bar/145psi	4960100	20/420

### TECHNICAL SPECIFICATIONS

Body in nickel-plated brass.

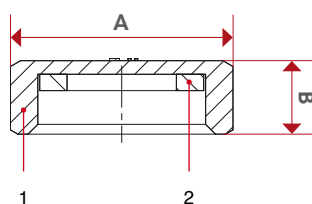
Washer in NBR.

(1/2" with fibre washer).

Maximum working temperature: 110°C.

Thread ISO228 (equivalent to DIN EN ISO 228 and BS EN ISO 228).

### MATERIALS AND OVERALL DIMENSIONS



	1/2"	3/4"	1"
A	28	33,3	40,7
B	12,5	12,5	13,5
Kg/cm <sup>2</sup> bar	10	10	10
LBS - psi	145	145	145

### CERTIFICATIONS



POS.	DESCRIPTION	N.	MATERIAL
1	Cap	1	Nickel-plated brass CW617N
2	Washer	1	NBR



ACCESSORIES FOR PRE-ASSEMBLED MANIFOLDS





# NOTES

A series of horizontal dashed lines for taking notes, starting from the top right of the 'NOTES' header and extending down the page.



ITAP S.p.A.  
Via Ruca 19  
25065 Lumezzane  
Brescia (ITALIA)  
Tel 030 89270  
Fax 030 8921990  
[www.itap.it](http://www.itap.it) - [info@itap.it](mailto:info@itap.it)