

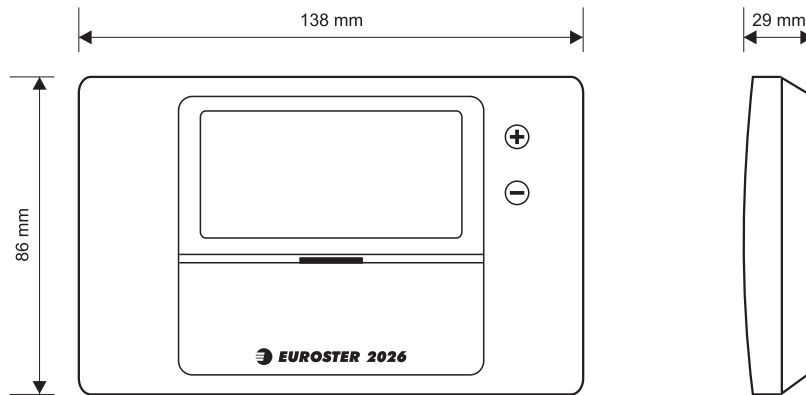
E2026

Wireless room thermostat for any heating / air conditioning system.



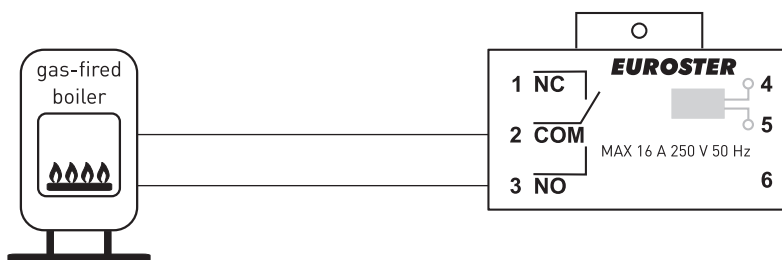
- four different temperature presets for each weekday
- intuitive week programming to a 10-minute resolution (ability to copy programs)
- large legible backlit display
- temporary temperature preset
- vacation mode: ability to program periods of up to 99 days differently
- access to programmed parameters may be blocked
- automatic daylight saving time
- heating / air conditioning device hour counter
- corrected temperature readings
- anti-freeze protection
- in model 2026P a temperature sensor connected via a 2,5 m cable

Device controlled	CH / air conditioning systems
Power supply	3 V (2 AA alkaline batteries)
Rated load	16 (3,5) A 230 V 50 Hz
Output	voltage-free SPDT relay
Temperature measurement range	-10°C...+50°C
Temperature control range	+5°C...+45°C
Temperature control accuracy	0,2°C
Temperature reading accuracy	0,1°C
Temperature control hysteresis	0,5 / 1,0 / 2,0 / 4,0°C
Status visualization	backlit LCD
Operating temperature range	+5°C...+45°C
Storage temperature range	0°C...+65°C
IP rating	IP 20, class II protection against electric shocks
Colour	white, RAL9010
Mount method	wall mounted, wall plugs
Weight	179 g
Certificates/standards	complies with the EMC and LVD Directives
Warranty period	2 years
Dimensions (W/H/D) mm	138/86/29
Packing list	Euroster 2026 thermostat, wall plugs, instructions, batteries, 2,5 m temperature sensor cable (model P)



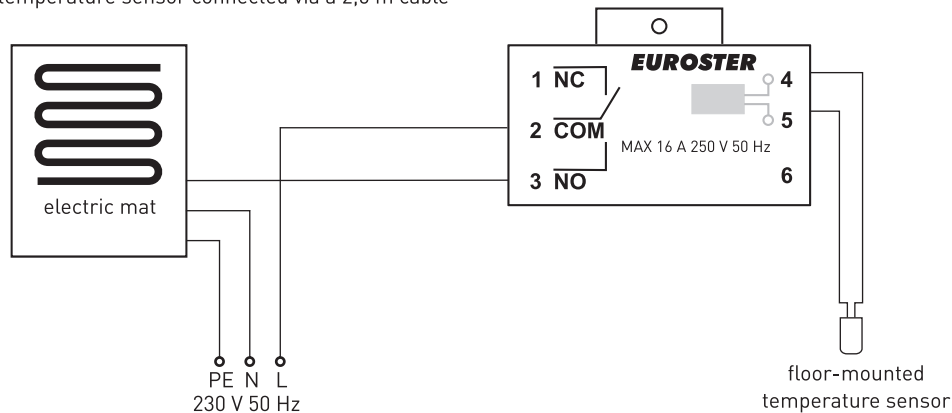
The simplified diagrams presented do not contain all of the elements necessary to correctly install the device.

GAS-FIRED BOILER



FLOOR HEATING SYSTEM (MODEL 2026P)

Model 2026P with a temperature sensor connected via a 2,5 m cable



CH / AIR CONDITIONING SYSTEM

