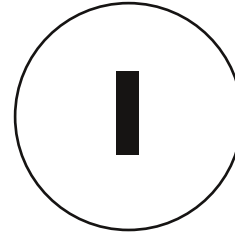




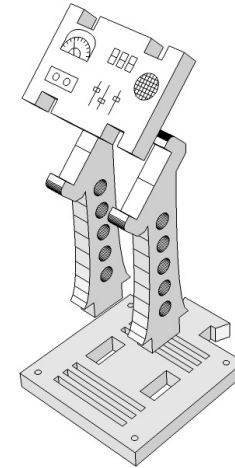
Vault Entrance (WVOIO)

www.multiversegamingterrain.com

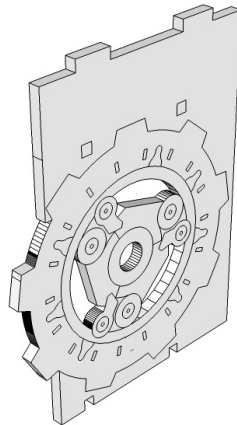
Read the instructions carefully before putting the kit together. The model can be glued with PVA glue. A file and a sharp hobby knife may be needed to remove the bits of the sprue from the parts



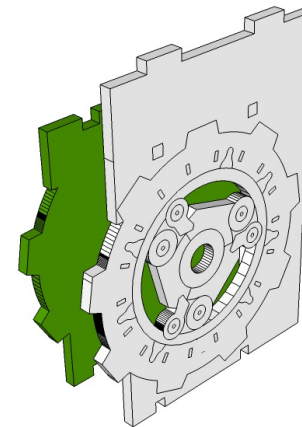
Assemble the control panel as shown.



Start the door assembly with this piece.

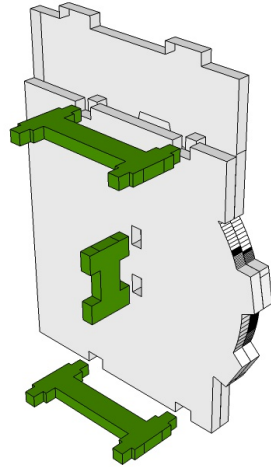


Glue one of the two large untextured door pieces to the back, making sure the gear teeth match.



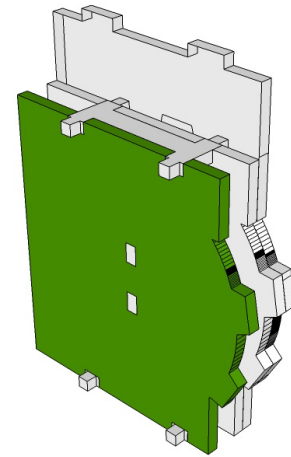
4

While the glue still dries, drive these three pieces through the holes in the door assembly as shown.



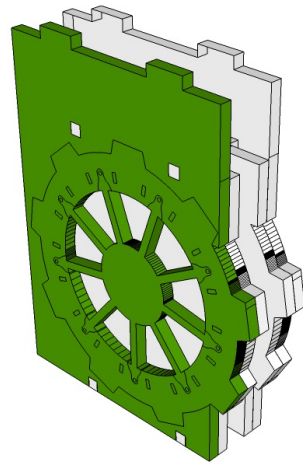
5

Add the second large untextured door piece at the other side of the door.



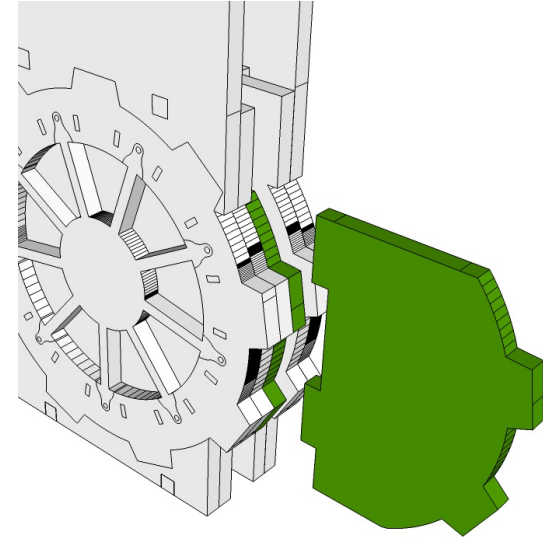
6

Add the exterior door piece to the assembly as shown.



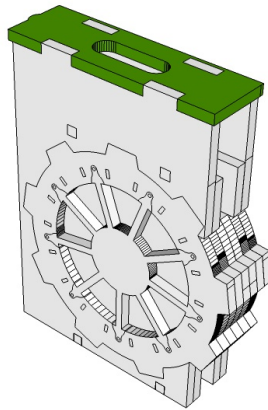
7

Glue these two pieces in the middle of the door assembly as shown.



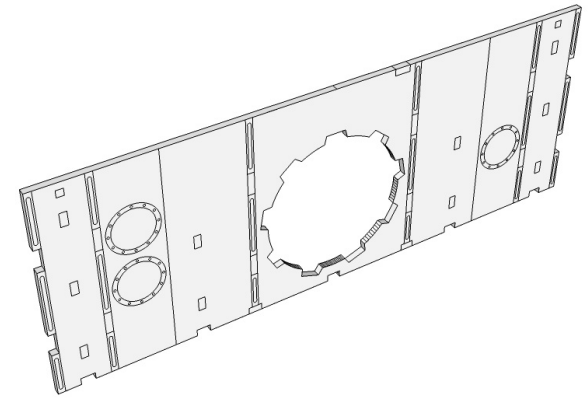
8

Glue this piece on top of the door module. The small 'bump' on one end should be on the opposite side to the gear teeth.



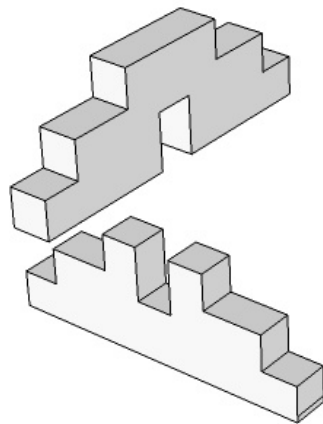
9

Prepare this piece.



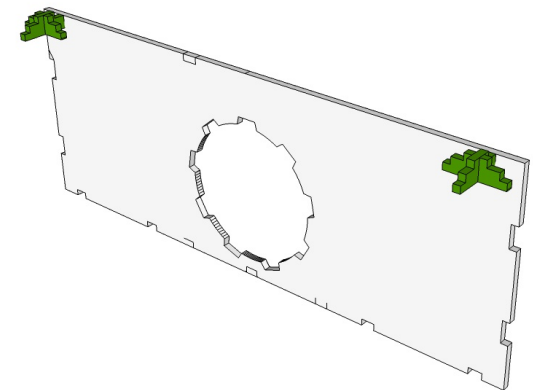
10

Assemble two sets of these pieces:



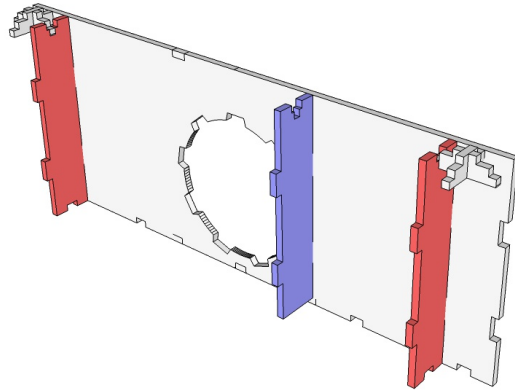
11

Turn the piece from step 9 to the side without engraving and glue the two pieces from step 10 to the small holes at the top.



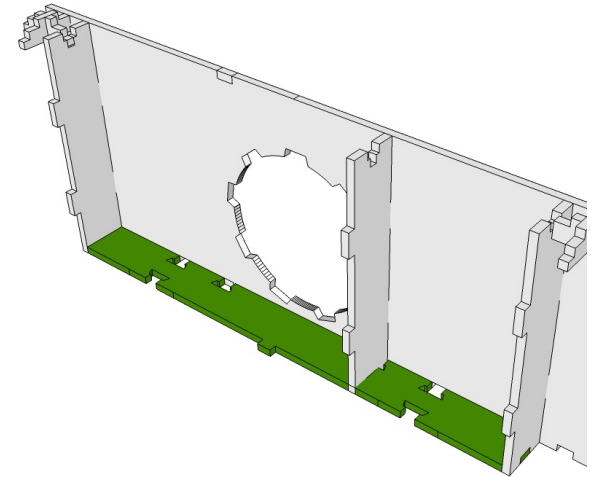
12

Glue these three pieces to the assembly. The pieces marked in red have small 'legs' at the bottom, while the piece marked in blue doesn't.



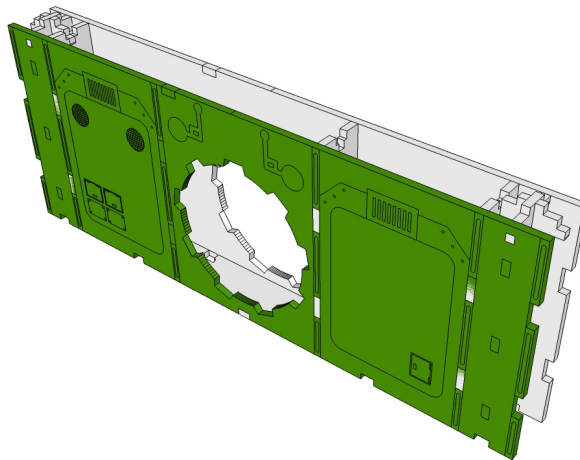
13

Glue the floor piece at the bottom of the assembly. Make sure the side with larger number of cutouts is facing the back wall (the one you already included in the assembly).



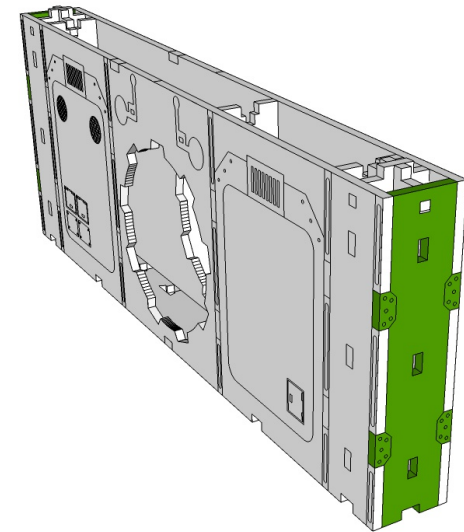
14

Add the front wall to the assembly.



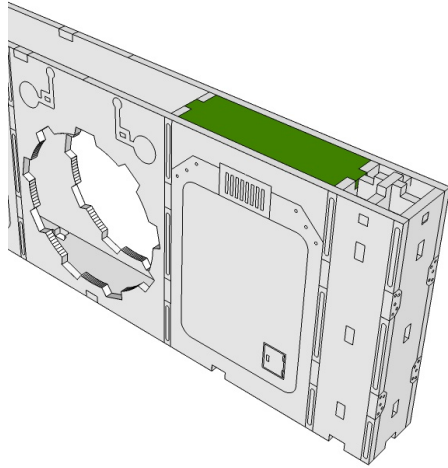
15

Glue these pieces at both sides of the model.



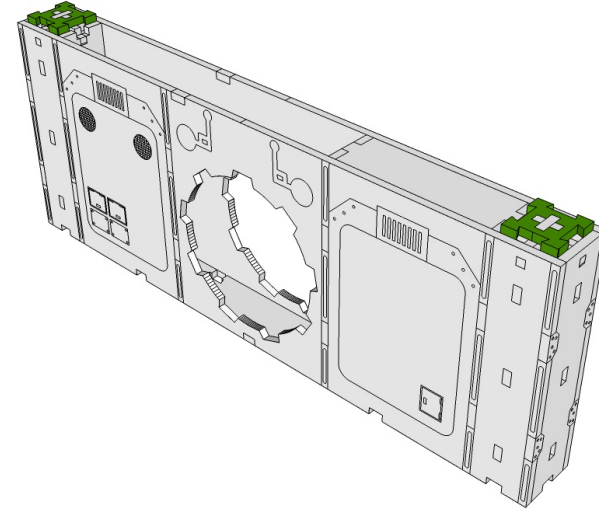
16

Glue this piece into the slots at the top of the entrance.



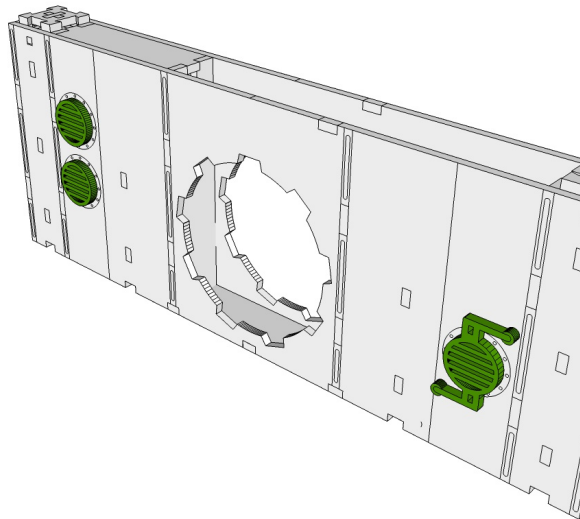
17

Glue these two pillar connectors to the model as shown.



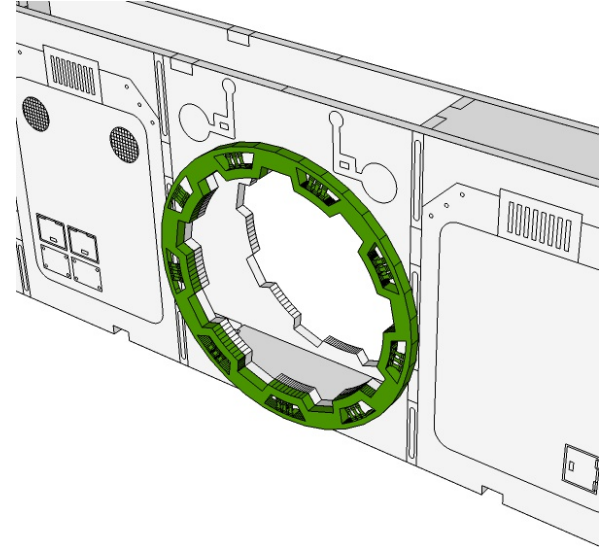
18

Glue the three vents to the back wall as shown. ATTENTION: Make sure the 'piping' on the vent on the right doesn't cross the engraved line next to the vent.



19

Glue this piece to the front wall as shown.



20

Glue the two lamps at the top of the entrance, using the engraving as a guide.

