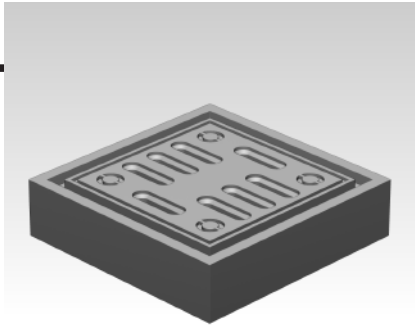


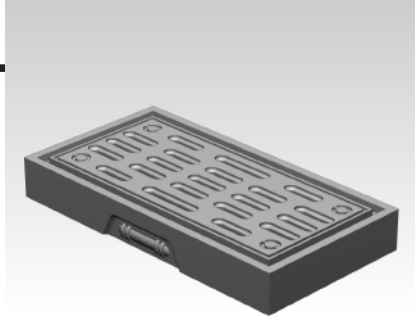
Parts Inventory

SHATTERED GALAXY: CORE
SHG001

Depending on your printer settings, there may be a small amount of drooping on overhangs. Use a sharp hobby knife to clean up these areas.



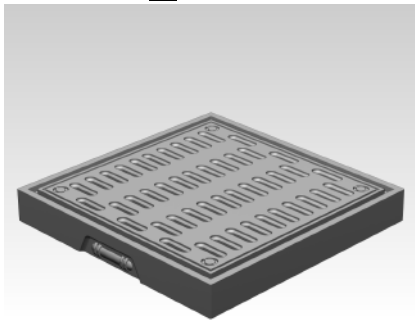
SG_Core_1x1_Regular_Platform



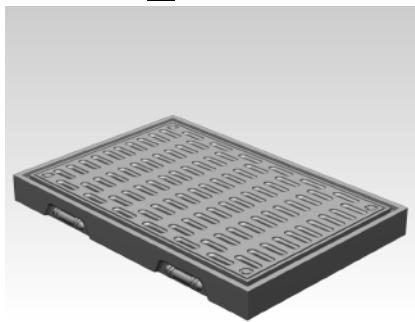
SG_Core_1x2_Regular_Platform



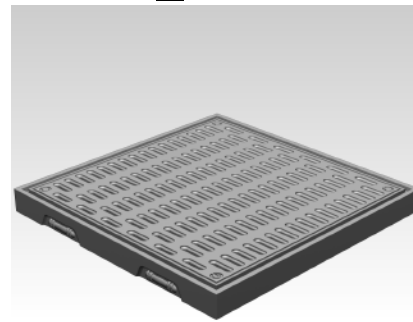
SG_Core_1x3_Regular_Platform



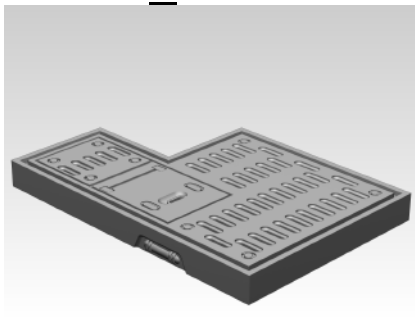
SG_Core_2x2_Regular_Platform



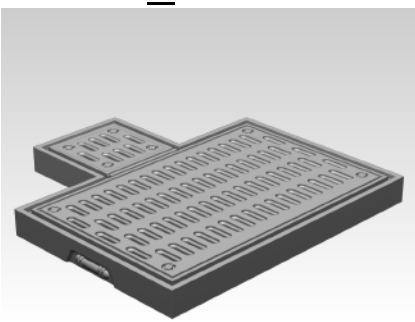
SG_Core_2x3_Regular_Platform



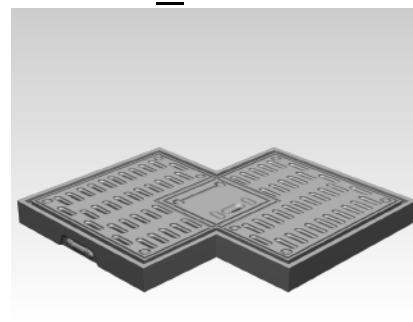
SG_Core_3x3_Regular_Platform



SG_Core_2x3_Irregular_Platform_A



SG_Core_3x3_Irregular_Platform_A



SG_Core_3x3_Irregular_Platform_B

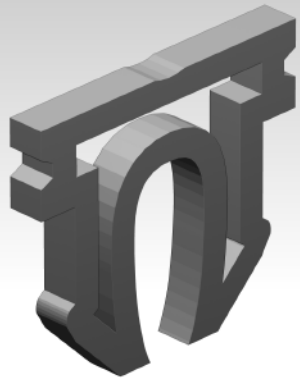


MULTIVERSE

© Copyright
Multiverse Gaming 2023

Parts Inventory

SHATTERED GALAXY: CORE
SHG001



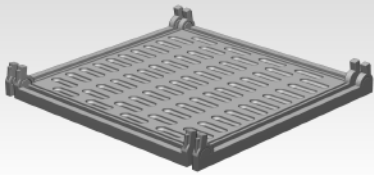
OpenLOCK Slim Clip
Removable Floor



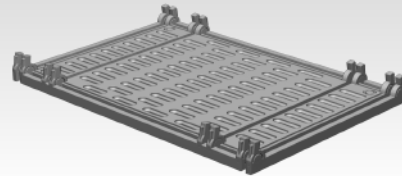
OpenLOCK Slim Clip



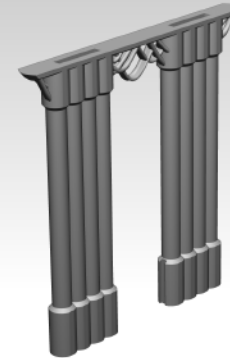
SG_Core_Gan-
try_Crane_Cable



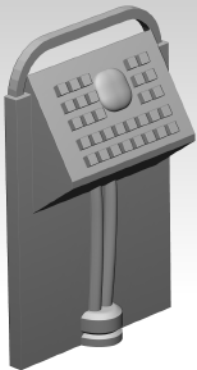
SG_Core_Gantry_Crane_Hang-
ing_Platform_L2



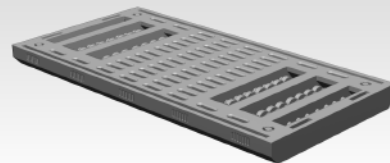
SG_Core_Gantry_Crane_Hang-
ing_Platform_L3



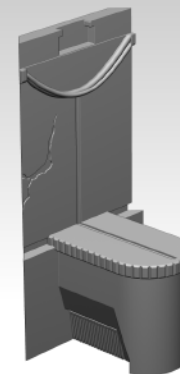
SG_Core_Gan-
try_Crane_Pillar



SG_Core_Gan-
try_Crane_Terminal



SG_Core_Gan-
try_Crane_Top



SG_Core_Living Quarters_-
Booth_Wall_L1_Part_A

Depending on your printer settings, there may be a small amount of drooping on overhangs. Use a sharp hobby knife to clean up these areas.

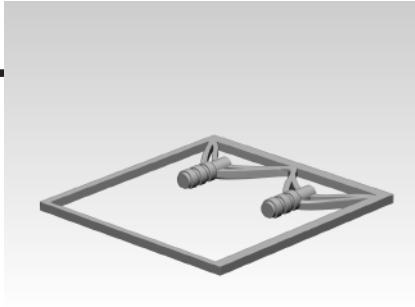


MULTIVERSE

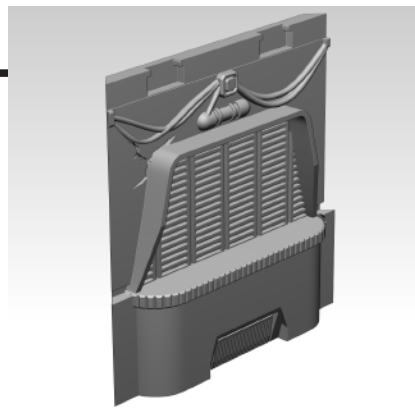
© Copyright
Multiverse Gaming 2023

Parts Inventory

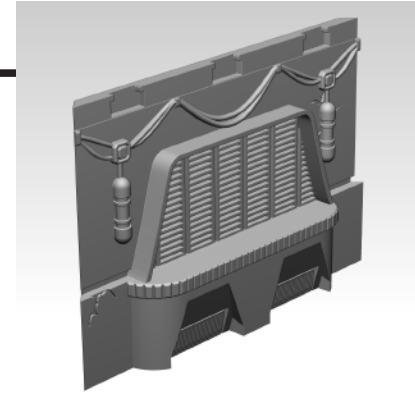
SHATTERED GALAXY: CORE
SHG001



SG_Core_Living Quarters_
Booth_Wall_L1_Part_B



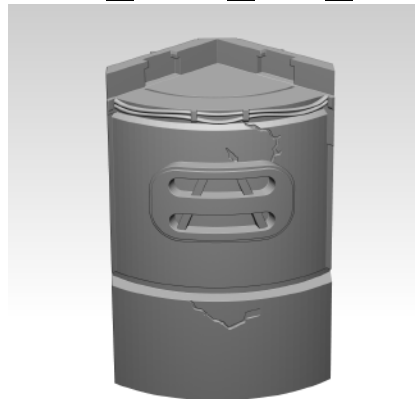
SG_Core_Living Quar-
ters_Booth_Wall_L2



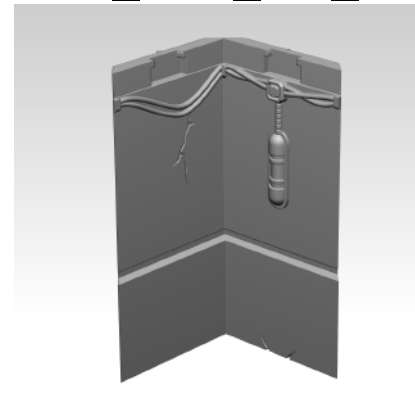
SG_Core_Living Quar-
ters_Booth_Wall_L3



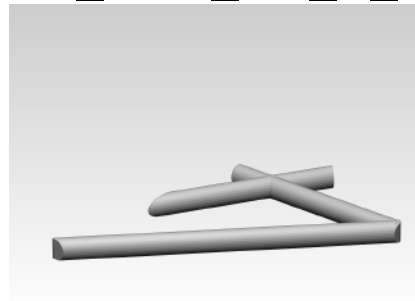
SG_Core_Living Quar-
ters_Corner_Wall_L1_A



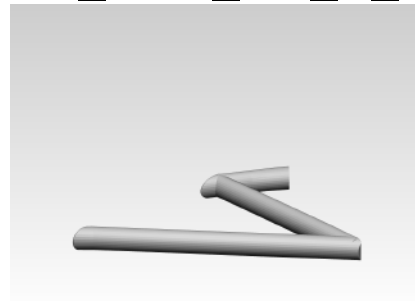
SG_Core_Living Quar-
ters_Corner_Wall_L1_B



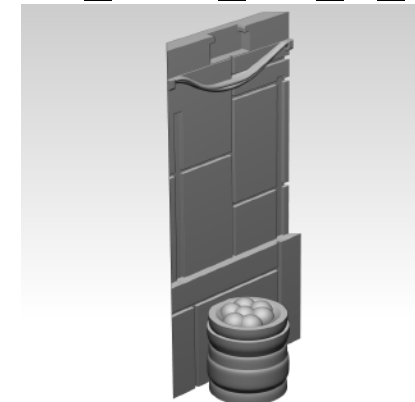
SG_Core_Living Quar-
ters_Corner_Wall_L1_C



SG_Core_Living Quarters_Mar-
ket_Canopy_Support_A



SG_Core_Living Quarters_Mar-
ket_Canopy_Support_B



SG_Core_Living Quar-
ters_Market_Wall_L1

Depending on your printer settings, there may be a small amount of drooping on overhangs. Use a sharp hobby knife to clean up these areas.



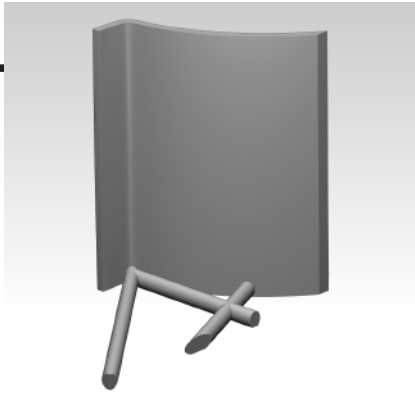
MULTIVERSE

© Copyright
Multiverse Gaming 2023

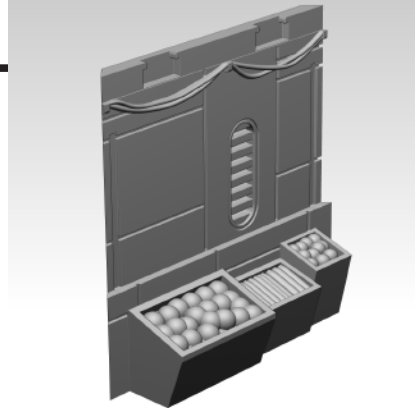
Parts Inventory

SHATTERED GALAXY: CORE
SHG001

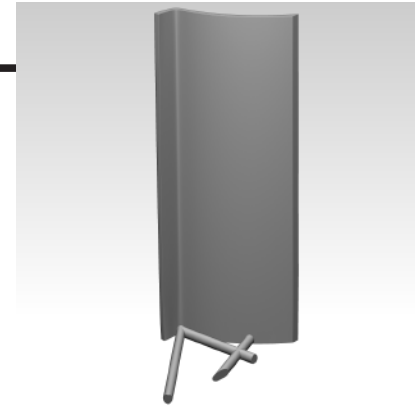
Depending on your printer settings, there may be a small amount of drooping on overhangs. Use a sharp hobby knife to clean up these areas.



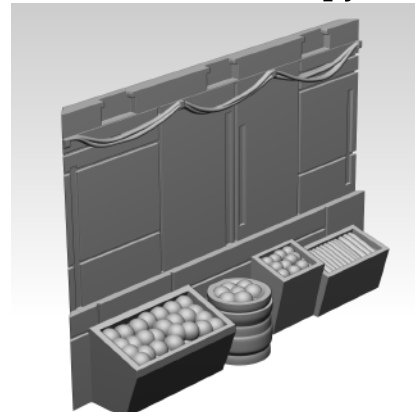
SG_Core_Living Quarters_Market_Canopy_L1



SG_Core_Living Quarters_Market_Wall_L2



SG_Core_Living Quarters_Market_Canopy_L2



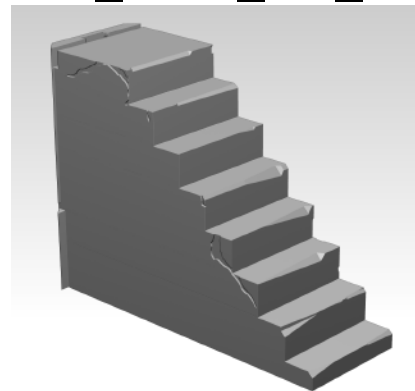
SG_Core_Living Quarters_Market_Wall_L3



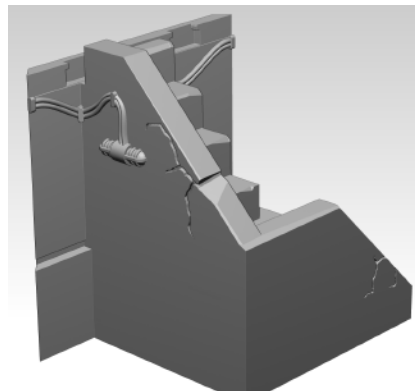
SG_Core_Living Quarters_Market_Canopy_L3A



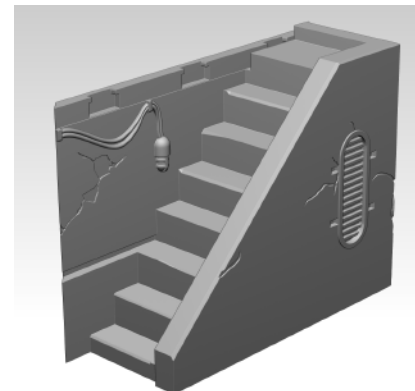
SG_Core_Living Quarters_Market_Canopy_L3B



SG_Core_Living Quarters_Stairs_Wall_L1



SG_Core_Living Quarters_Stairs_Wall_L2



SG_Core_Living Quarters_Stairs_Wall_L3

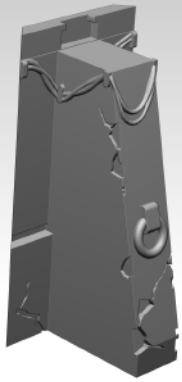


MULTIVERSE

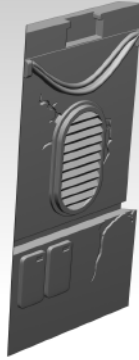
© Copyright
Multiverse Gaming 2023

Parts Inventory

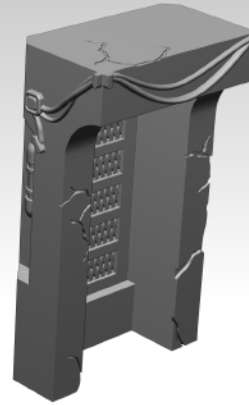
SHATTERED GALAXY: CORE
SHG001



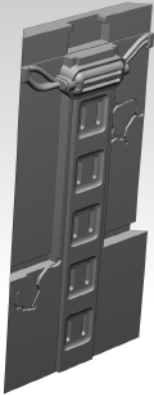
SG_Core_Living Quar-
ters_Wall_L1_A



SG_Core_Living Quar-
ters_Wall_L1_B



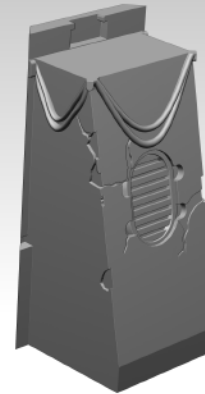
SG_Core_Living Quar-
ters_Wall_L1_C



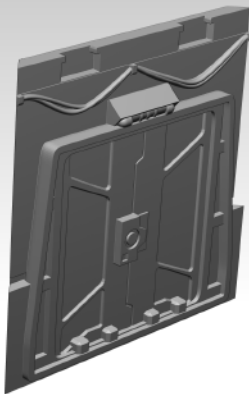
SG_Core_Living Quar-
ters_Wall_L1_D



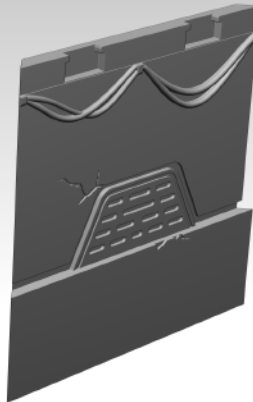
SG_Core_Living Quar-
ters_Wall_L1_E



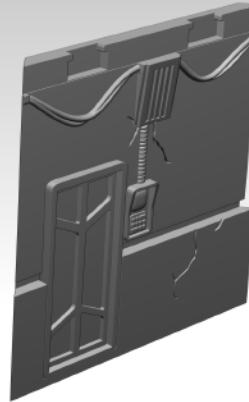
SG_Core_Living Quar-
ters_Wall_L1_F



SG_Core_Living Quar-
ters_Wall_L2_A



SG_Core_Living Quar-
ters_Wall_L2_B



SG_Core_Living Quar-
ters_Wall_L2_C

Depending on your printer settings, there may be a small amount of drooping on overhangs. Use a sharp hobby knife to clean up these areas.



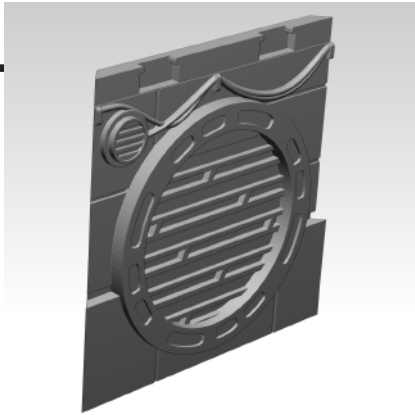
MULTIVERSE

© Copyright
Multiverse Gaming 2023

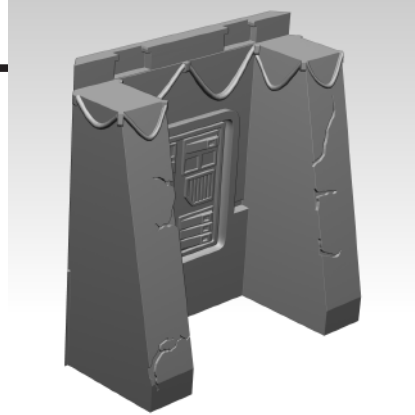
Parts Inventory

SHATTERED GALAXY: CORE
SHG001

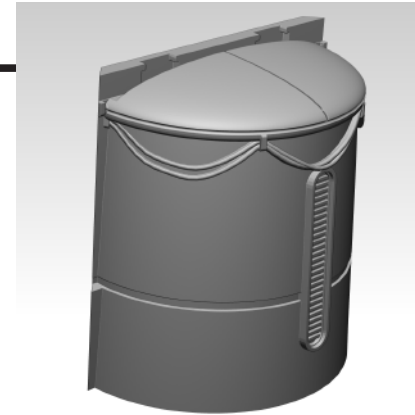
Depending on your printer settings, there may be a small amount of drooping on overhangs. Use a sharp hobby knife to clean up these areas.



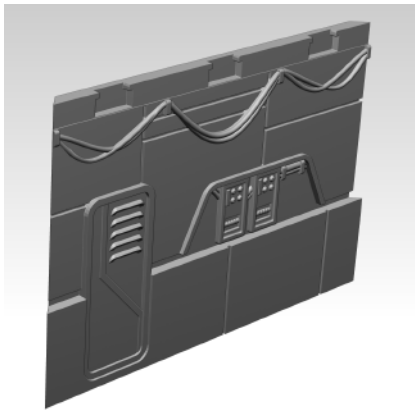
SG_Core_Living Quar-
ters_Wall_L2_D



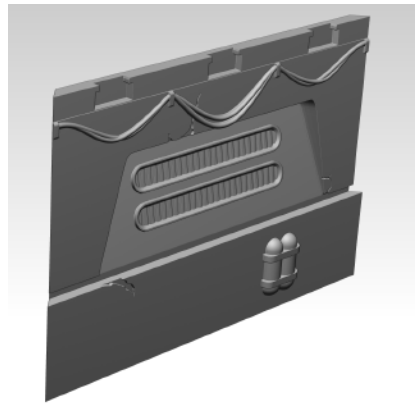
SG_Core_Living Quar-
ters_Wall_L2_E



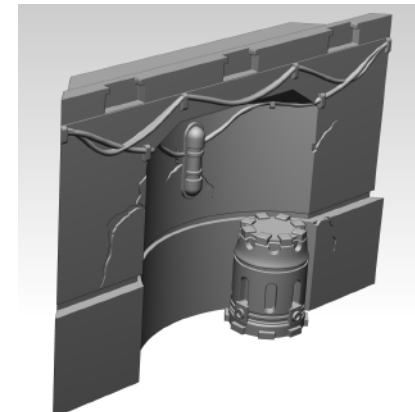
SG_Core_Living Quar-
ters_Wall_L2_F



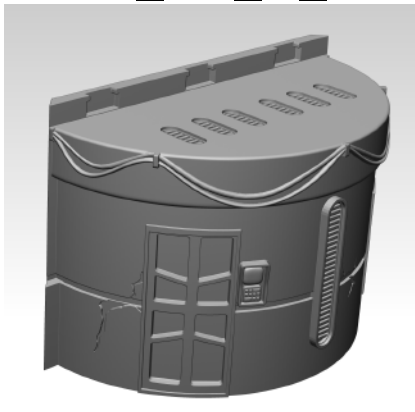
SG_Core_Living Quar-
ters_Wall_L3_A



SG_Core_Living Quar-
ters_Wall_L3_B



SG_Core_Living Quar-
ters_Wall_L3_C



SG_Core_Living Quar-
ters_Wall_L3_D



SG_Core_Living Quar-
ters_Wall_L3_E



SG_Core_Living Quar-
ters_Wall_L3_F



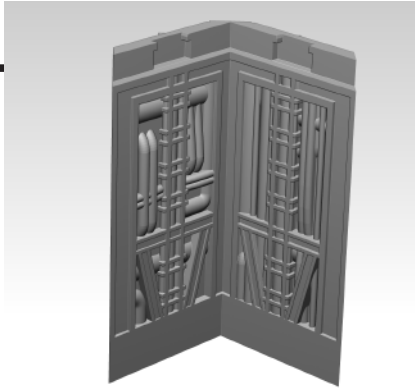
MULTIVERSE

© Copyright
Multiverse Gaming 2023

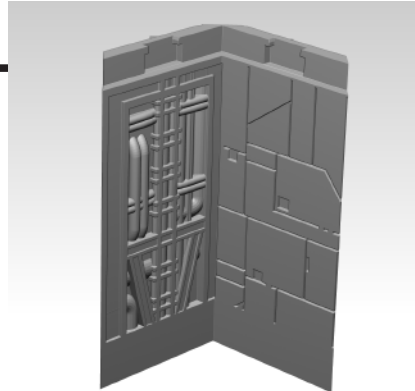
Parts Inventory

SHATTERED GALAXY: CORE
SHG001

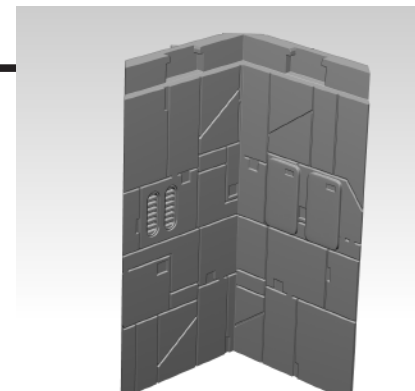
Depending on your printer settings, there may be a small amount of drooping on overhangs. Use a sharp hobby knife to clean up these areas.



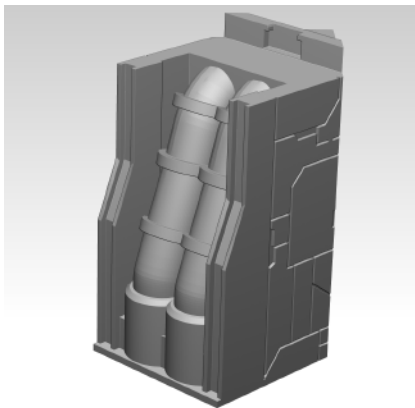
SG_Core_Processing_Plant_Corner_Wall_L1_A



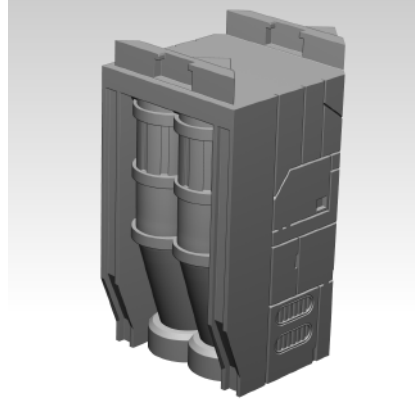
SG_Core_Processing_Plant_Corner_Wall_L1_B



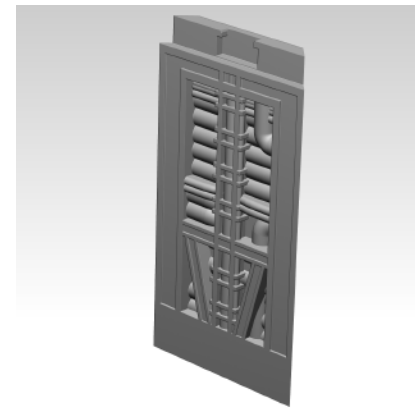
SG_Core_Processing_Plant_Corner_Wall_L1_C



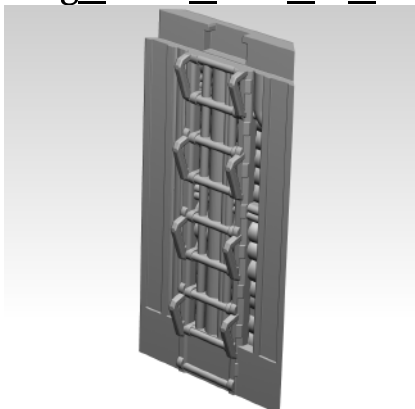
SG_Core_Processing_Plant_Wall_L1_A



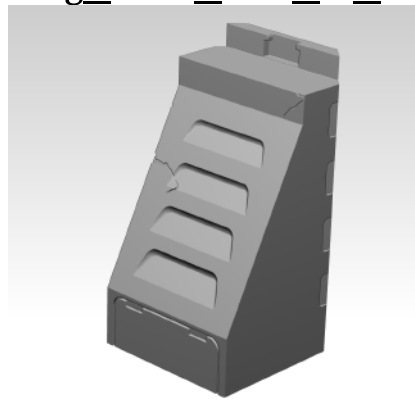
SG_Core_Processing_Plant_Wall_L1_B



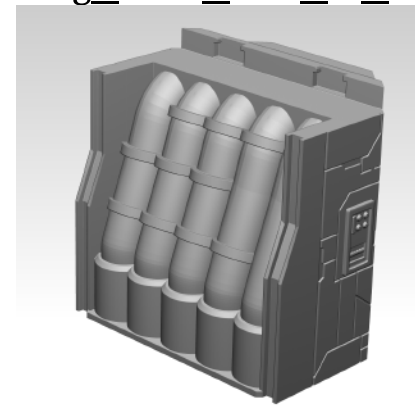
SG_Core_Processing_Plant_Wall_L1_C



SG_Core_Processing_Plant_Wall_L1_D



SG_Core_Processing_Plant_Wall_L1_E



SG_Core_Processing_Plant_Wall_L2_A



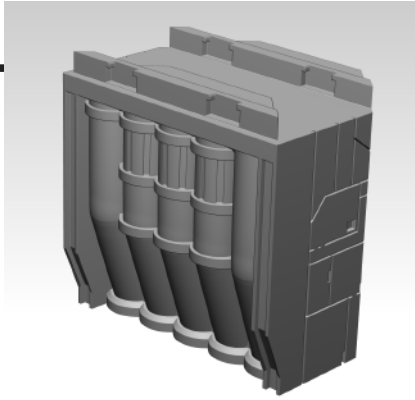
MULTIVERSE

© Copyright
Multiverse Gaming 2023

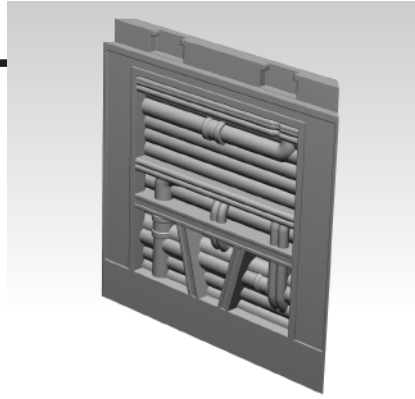
Parts Inventory

SHATTERED GALAXY: CORE
SHG001

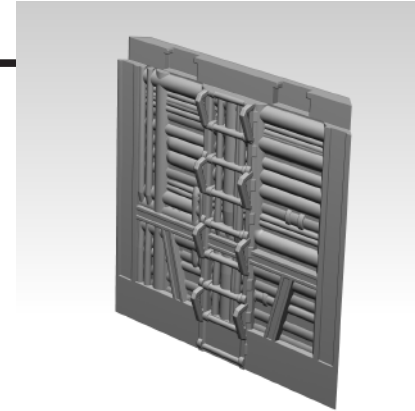
Depending on your printer settings, there may be a small amount of drooping on overhangs. Use a sharp hobby knife to clean up these areas.



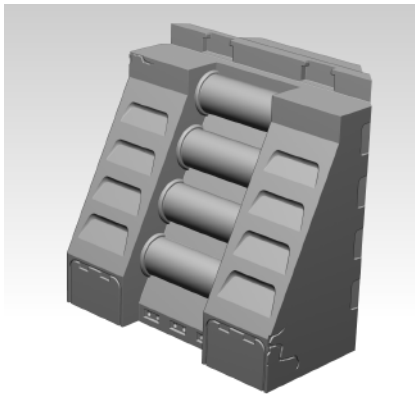
SG_Core_Processing_Plant_Wall_L2_B



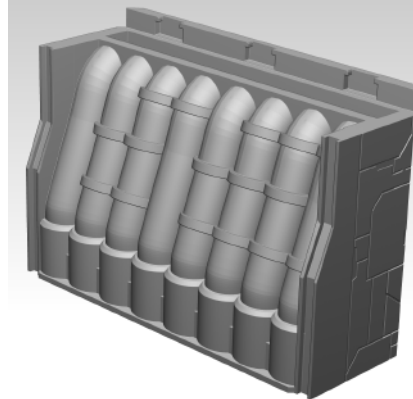
SG_Core_Processing_Plant_Wall_L2_C



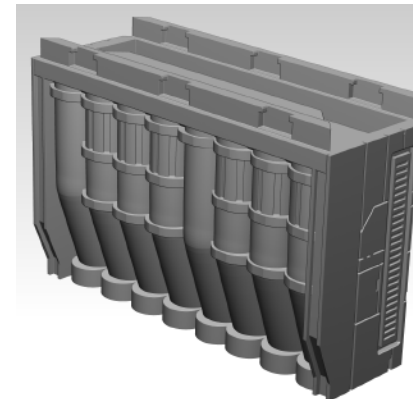
SG_Core_Processing_Plant_Wall_L2_D



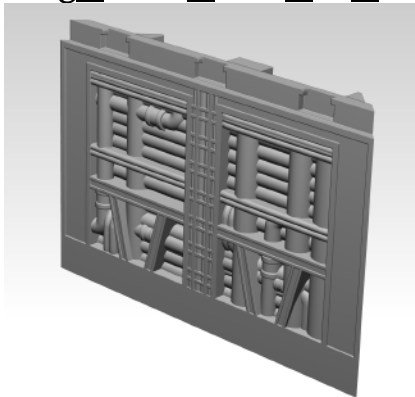
SG_Core_Processing_Plant_Wall_L2_E



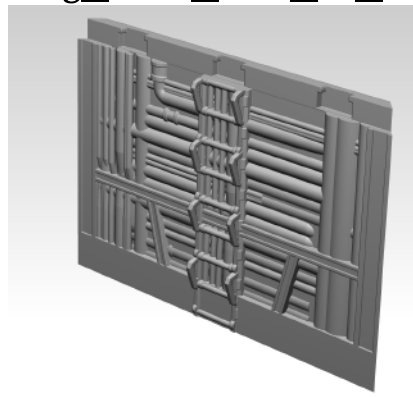
SG_Core_Processing_Plant_Wall_L3_A



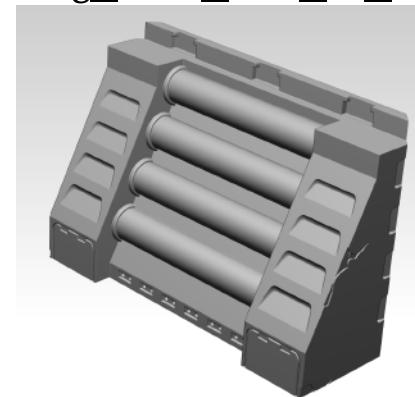
SG_Core_Processing_Plant_Wall_L3_B



SG_Core_Processing_Plant_Wall_L3_C



SG_Core_Processing_Plant_Wall_L3_D



SG_Core_Processing_Plant_Wall_L3_E



MULTIVERSE

© Copyright
Multiverse Gaming 2023

Parts Inventory

SHATTERED GALAXY: CORE
SHG001



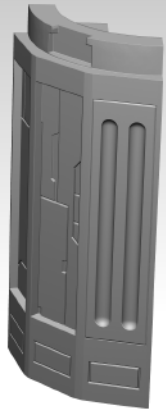
SG_Core_Reac-
tor_Wall_A



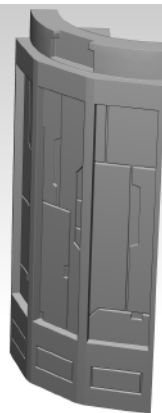
SG_Core_Reac-
tor_Wall_B



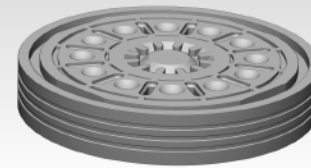
SG_Core_Reac-
tor_Wall_C



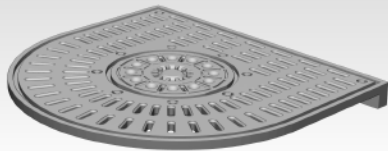
SG_Core_Reac-
tor_Wall_D



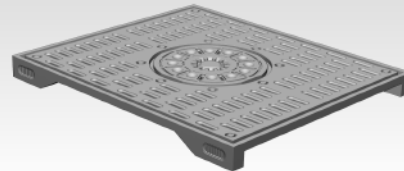
SG_Core_Reac-
tor_Wall_E



SG_Core_Reactor_Plat-
form_Small_O



SG_Core_Reactor_Plat-
form_Large_U



SG_Core_Reactor_Plat-
form_Large_S



SG_Core_Reactor_Plat-
form_Large_O

Depending on your printer settings, there may be a small amount of drooping on overhangs. Use a sharp hobby knife to clean up these areas.

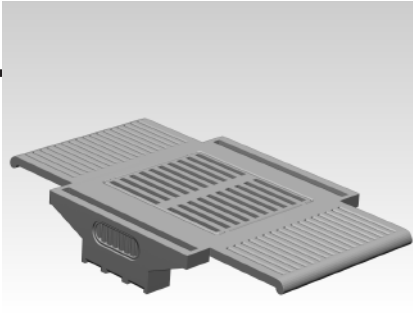


MULTIVERSE

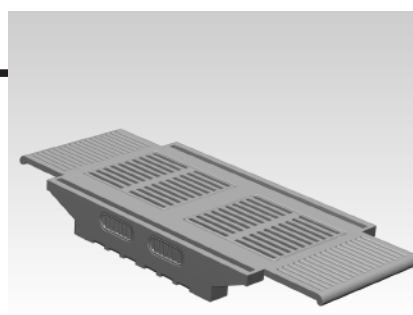
© Copyright
Multiverse Gaming 2023

Parts Inventory

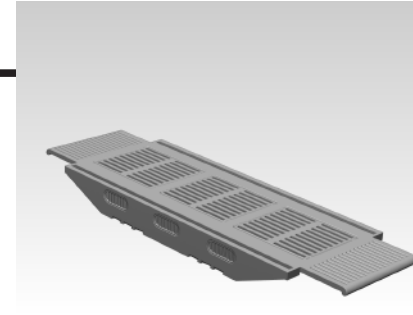
SHATTERED GALAXY: CORE
SHG001



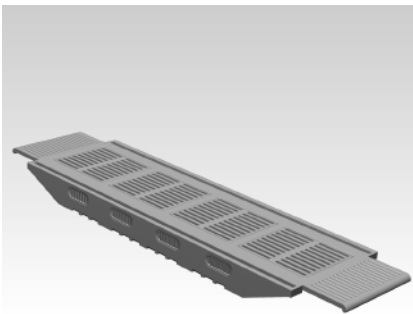
SG_Core_Nar-
row_Walkway_L2



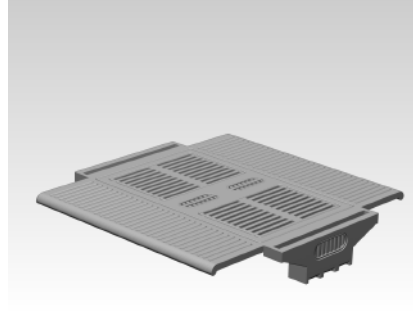
SG_Core_Nar-
row_Walkway_L3



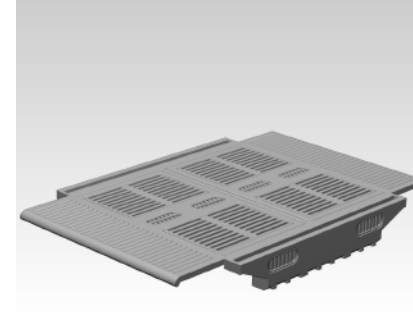
SG_Core_Nar-
row_Walkway_L4



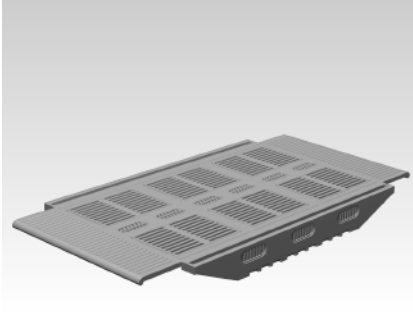
SG_Core_Nar-
row_Walkway_L5



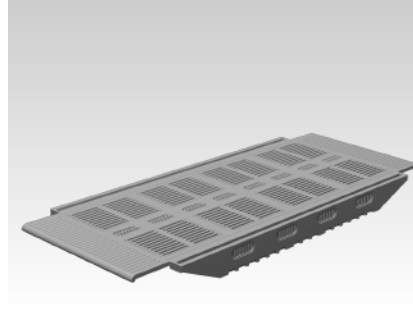
SG_Core_Wide_Walk-
way_2L



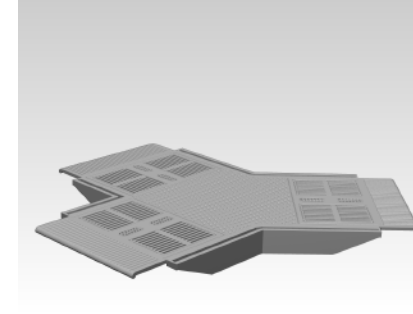
SG_Core_Wide_Walk-
way_3L



SG_Core_Wide_Walk-
way_4L



SG_Core_Wide_Walk-
way_5L



SG_Core_Y_Walk-
way_Intersection

Depending on your printer settings, there may be a small amount of drooping on overhangs. Use a sharp hobby knife to clean up these areas.

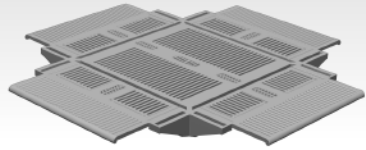


MULTIVERSE

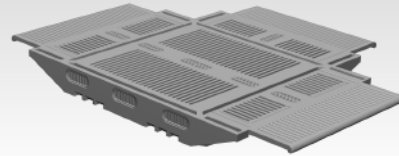
© Copyright
Multiverse Gaming 2023

Parts Inventory

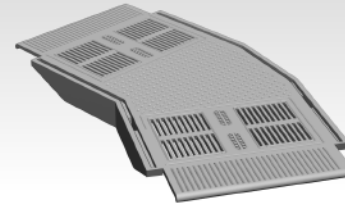
SHATTERED GALAXY: CORE
SHG001



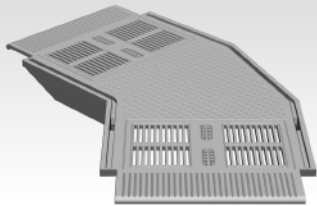
SG_Core_X_Walkway_Intersection



SG_Core_T_Walkway_Intersection



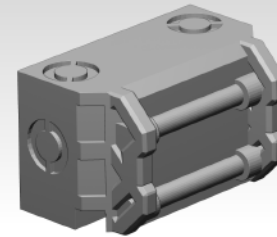
SG_Core_30_Degree_Angled_Walkway



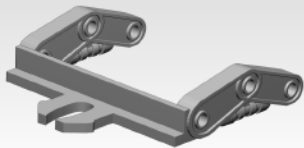
SG_Core_45_Degree_Angled_Walkway



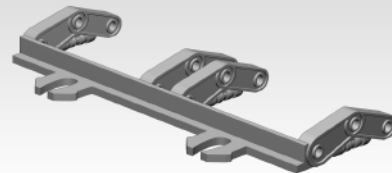
SG_Core_Ladder



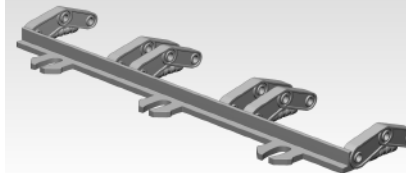
SG_Core_Ladder_Hook



SG_Core_Railing_L1



SG_Core_Railing_L2



SG_Core_Railing_L3

Depending on your printer settings, there may be a small amount of drooping on overhangs. Use a sharp hobby knife to clean up these areas.



MULTIVERSE

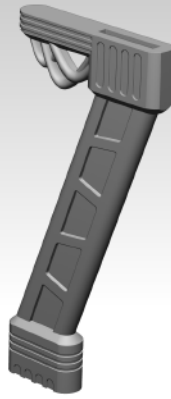
© Copyright
Multiverse Gaming 2023

Parts Inventory

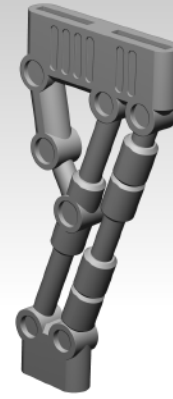
SHATTERED GALAXY: CORE
SHG001



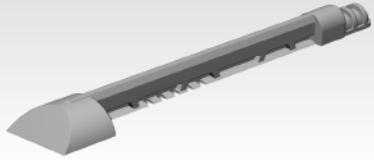
SG_Core_Walkway_Pillar_A



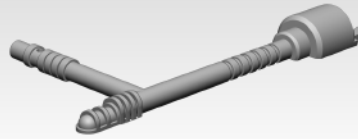
SG_Core_Walkway_Pillar_B



SG_Core_Walkway_Pillar_C



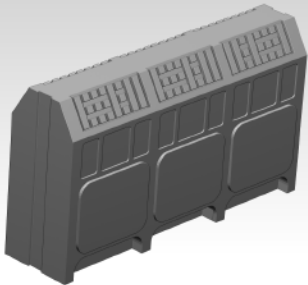
SG_Core_Zipline_Part_A



SG_Core_Zipline_Part_B



SG_Core_Terminal_1



SG_Core_Terminal_2_Base



SG_Core_Terminal_2_Display



SG_Core_Terminal_3

Depending on your printer settings, there may be a small amount of drooping on overhangs. Use a sharp hobby knife to clean up these areas.



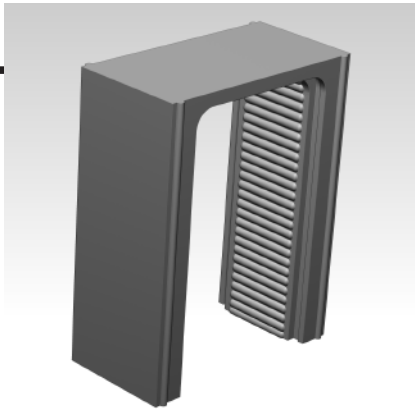
MULTIVERSE

© Copyright
Multiverse Gaming 2023

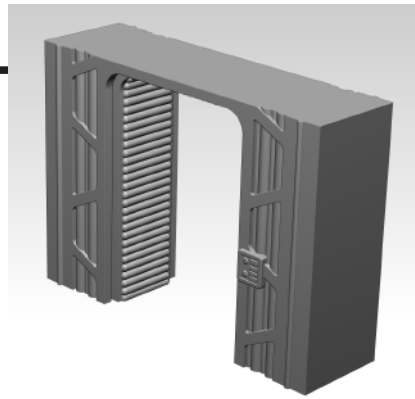
Parts Inventory

SHATTERED GALAXY: CORE
SHG001

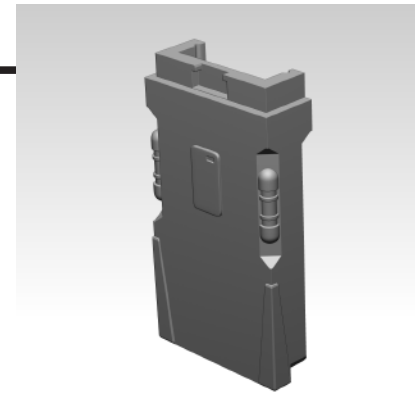
Depending on your printer settings, there may be a small amount of drooping on overhangs. Use a sharp hobby knife to clean up these areas.



SG_Core_Narrow_Bulkhead_Insert



SG_Core_Wide_Bulkhead_Insert



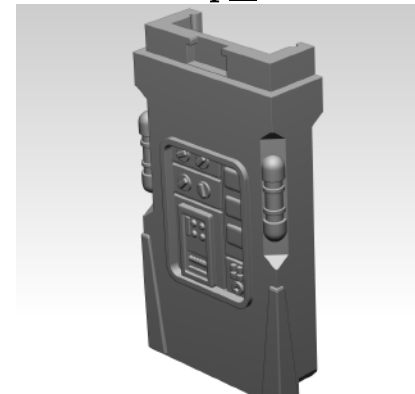
SG_Core_Bulkhead_Cap_A



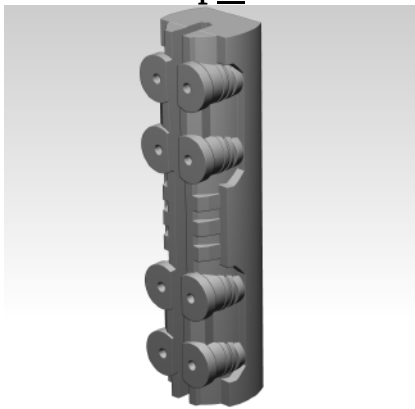
SG_Core_Bulkhead_Cap_B



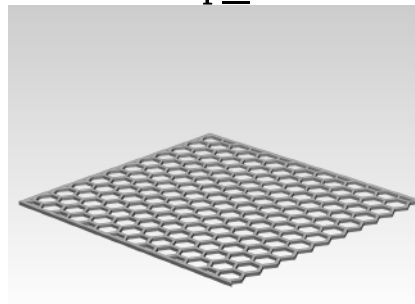
SG_Core_Bulkhead_Cap_C



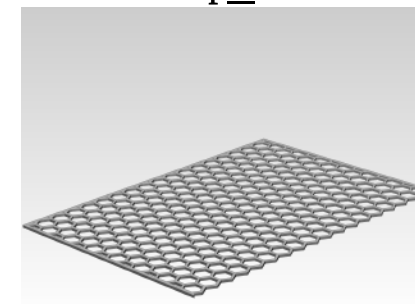
SG_Core_Bulkhead_Cap_D



SG_Core_Energy_Barrier



SG_Core_Energy_Barrier_L2



SG_Core_Energy_Barrier_L3



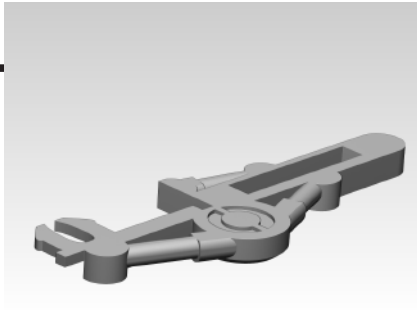
MULTIVERSE

© Copyright
Multiverse Gaming 2023

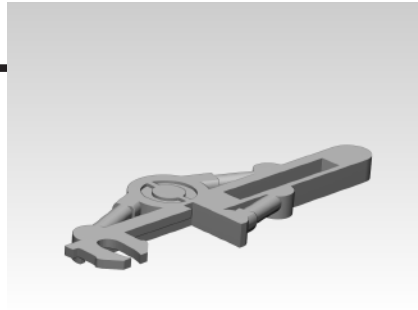
Parts Inventory

SHATTERED GALAXY: CORE
SHG001

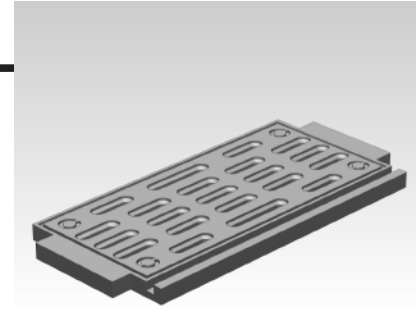
Depending on your printer settings, there may be a small amount of drooping on overhangs. Use a sharp hobby knife to clean up these areas.



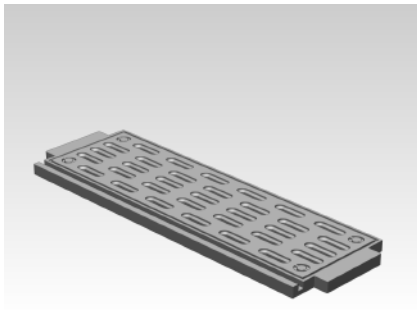
SG_Core_Platform_Extension_Arm_R



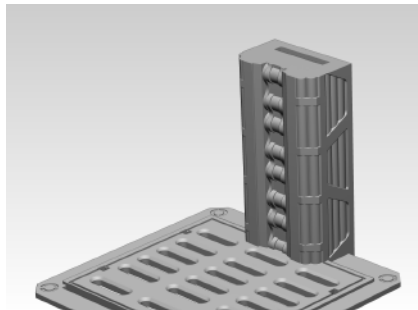
SG_Core_Platform_Extension_Arm_L



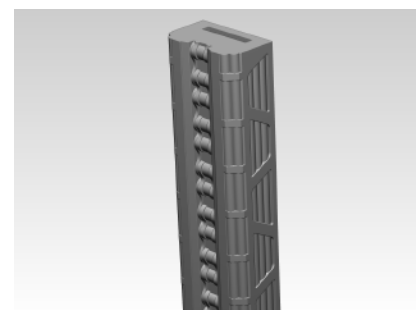
SG_Core_1x2_Platform_Extension



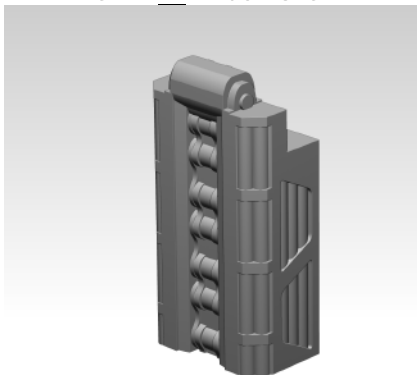
SG_Core_1x3_Platform_Extension



SG_Core_Elevator_Base



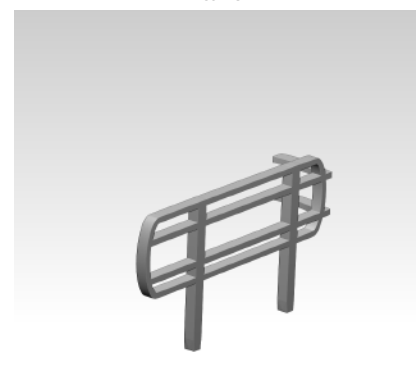
SG_Core_Elevator_Middle



SG_Core_Elevator_Top



SG_Core_Elevator_Railing_R



SG_Core_Elevator_Railing_L

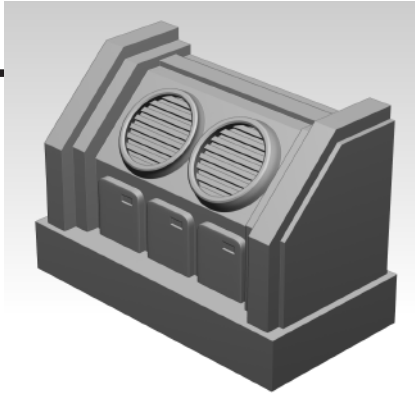


MULTIVERSE

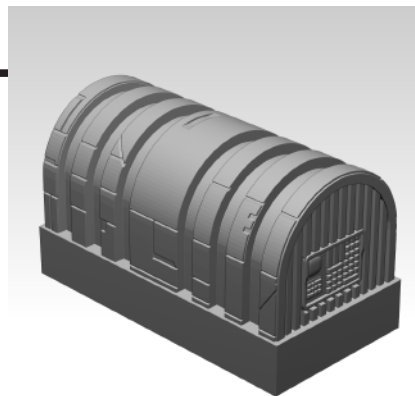
© Copyright
Multiverse Gaming 2023

Parts Inventory

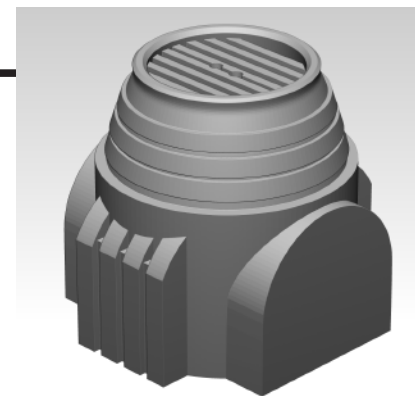
SHATTERED GALAXY: CORE
SHG001



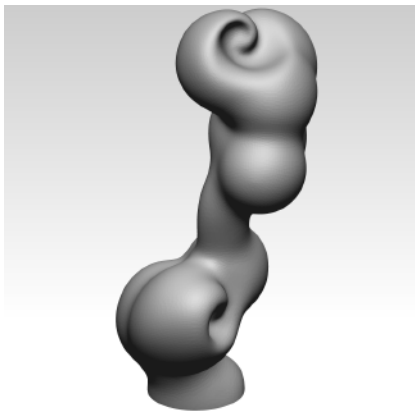
SG_Core_Platform_Machinery_A



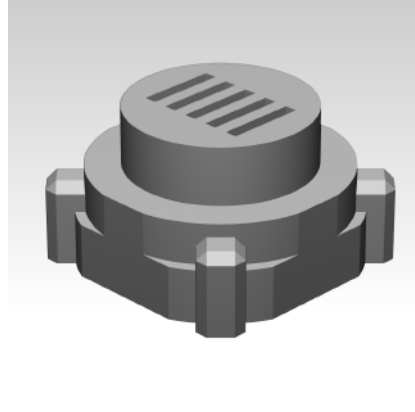
SG_Core_Platform_Machinery_B



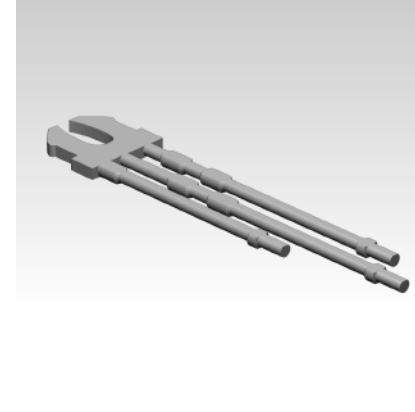
SG_Core_Platform_Machinery_C_Bottom



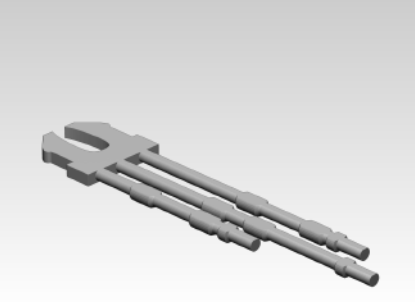
SG_Core_Platform_Machinery_C_Top



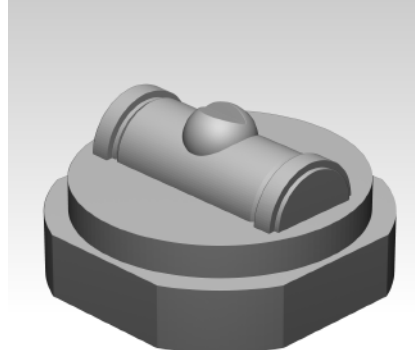
SG_Core_Platform_Machinery_D_Bottom



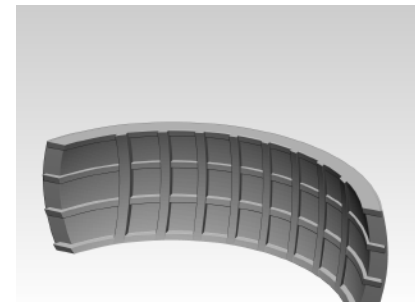
SG_Core_Platform_Machinery_D_Top_A



SG_Core_Platform_Machinery_D_Top_B



SG_Core_Platform_Machinery_E_bottom



SG_Core_Platform_Machinery_E_Top

Depending on your printer settings, there may be a small amount of drooping on overhangs. Use a sharp hobby knife to clean up these areas.

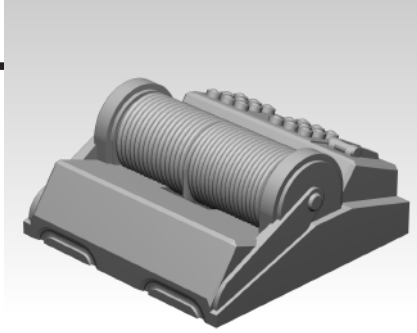


MULTIVERSE

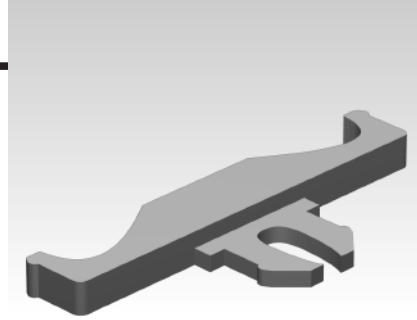
© Copyright
Multiverse Gaming 2023

Parts Inventory

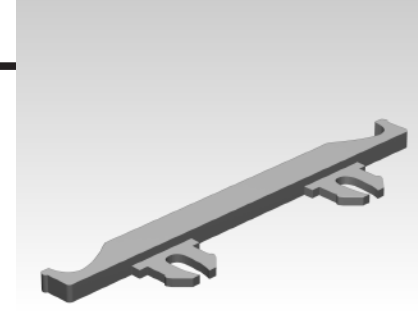
SHATTERED GALAXY: CORE
SHG001



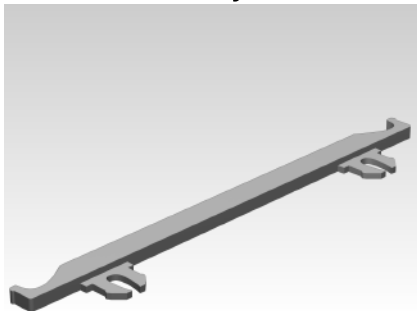
SG_Core_Platform_Machinery_F



SG_Core_Pillar to Platform Adapter 1L



SG_Core_Pillar to Platform Adapter 2L



SG_Core_Pillar to Platform Adapter 3L

Depending on your printer settings, there may be a small amount of drooping on overhangs. Use a sharp hobby knife to clean up these areas.



MULTIVERSE

© Copyright
Multiverse Gaming 2023