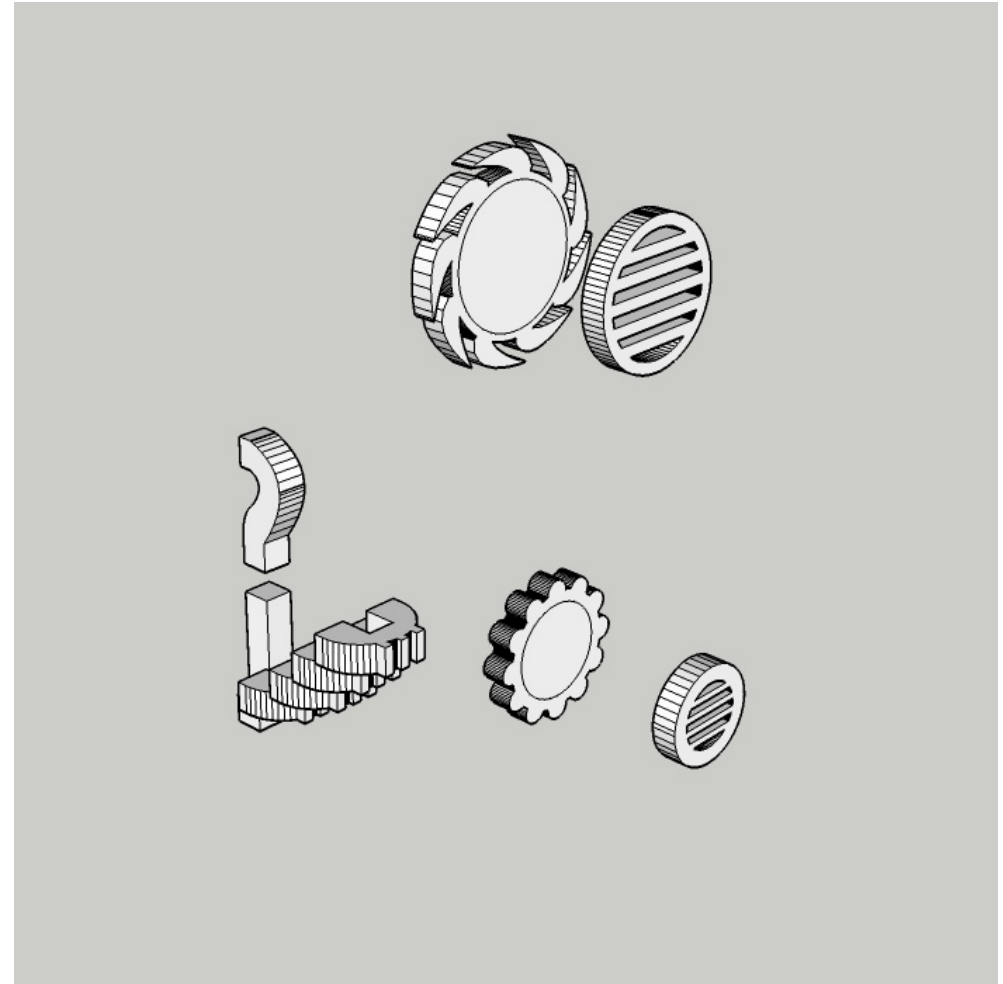




## Spaceport Wall Widgets A (GWTO14)

[www.multiversegamingterrain.com](http://www.multiversegamingterrain.com)

Read the instructions carefully before putting the kit together. The model can be glued with PVA glue. A file and a sharp hobby knife may be needed to remove the bits of the sprue from the parts

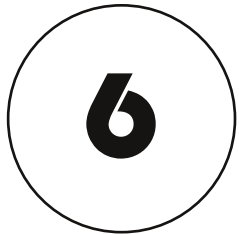




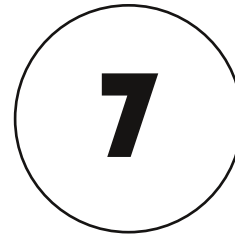
Add the first one to the assembly...



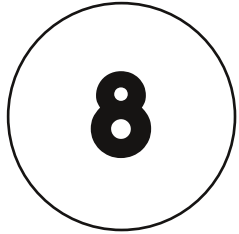
Continue until you reach the top of the stairs.



Finish off the stairs by adding this piece at the top.



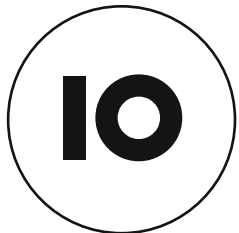
Start the assembly of the column with this piece:



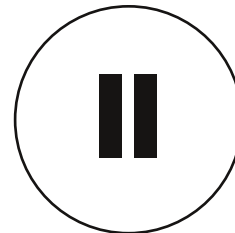
Glue this piece to the slit at the centre:



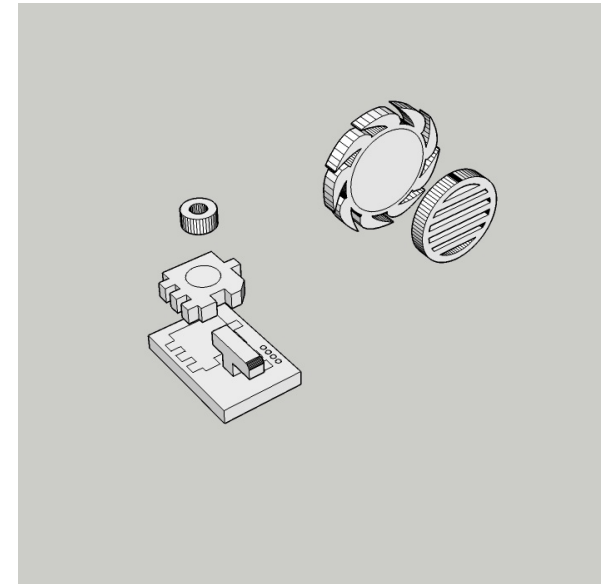
Add the two angled pieces at both sides of the column.



Glue this piece at the top of the column.



Assemble the widgets as shown.





Glue the widgets to the columns, making sure they won't block the stairs from attaching to the column where they are.