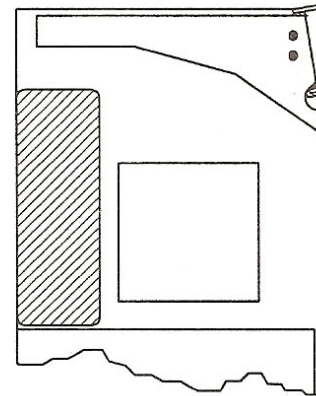
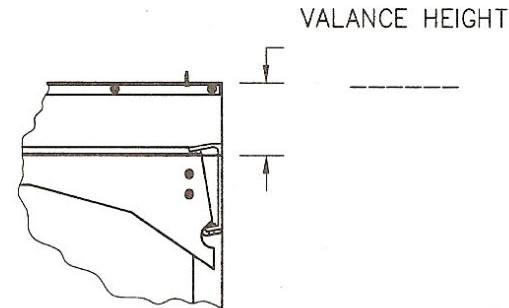


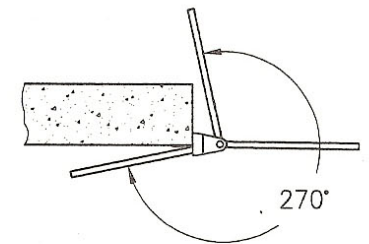
TOP PLATE



PUSH PLATE



VALANCE



270° HINGE

MODEL

R50 R100 R150

FABRIC COLOR: _____

DOOR OPENING:

_____ W x _____ H

DOUBLE SINGLE

QUANTITY: _____

OPTIONS

(CHECK BOX IF APPLICABLE)

- HOLD OPEN DEVICE
- 270° HINGE
- TOP PLATE
- MIDDLE PLATE
- TOP & MIDDLE PLATE
- FULL KICKPLATE
- EXTENSION "U" BRACKETS
- VALANCE

1. GRAVITY ARM ASSEMBLY.
2. SINGLE-PLY 40 oz. REINFORCED VINYL (R50), DOUBLE-PLY (R100) OR TRIPLE-PLY (R150) - R100 & R150 RECOMMENDED FOR DOOR OPENINGS OVER 8' WIDE x 8' HIGH.
3. 13 1/2" WIDE x 13" HIGH CLEAR PVC WINDOW.
4. 1/8" THICK x 48" HIGH BLACK SUPERLON.

*** RECOMMENDED FRAMING REQUIREMENTS:
1/8" THICK x 4" WIDE FACE STEEL FRAME MOUNTED TO A SOLID FOUNDATION.

S.S. QUOTE REF. # _____
 CUSTOMER _____
 APPROVED BY: _____
 P/O No.: _____
 DATE: _____



SERIES 2000-MODELS R50, R100 & R150
RETAIL FLEXIBLE VINYL IMPACT DOORS

DATE: REV. NOV-23-04	SCALE: 1:24
DRAWN: OC	DWG NO: L2000-C
APPROVED: RT	PART NO: N/A