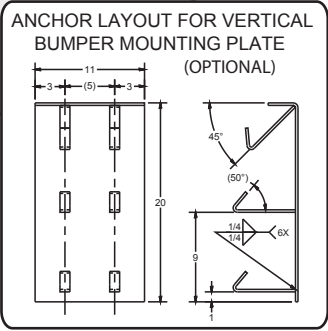
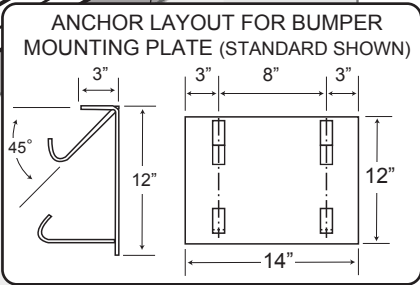
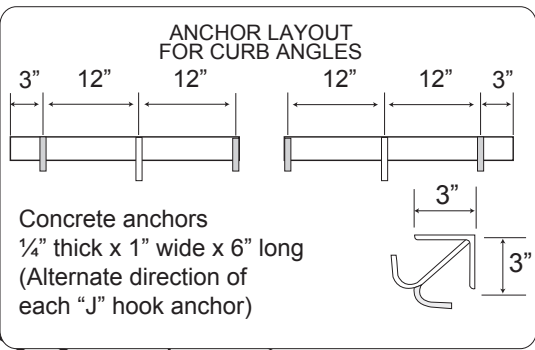
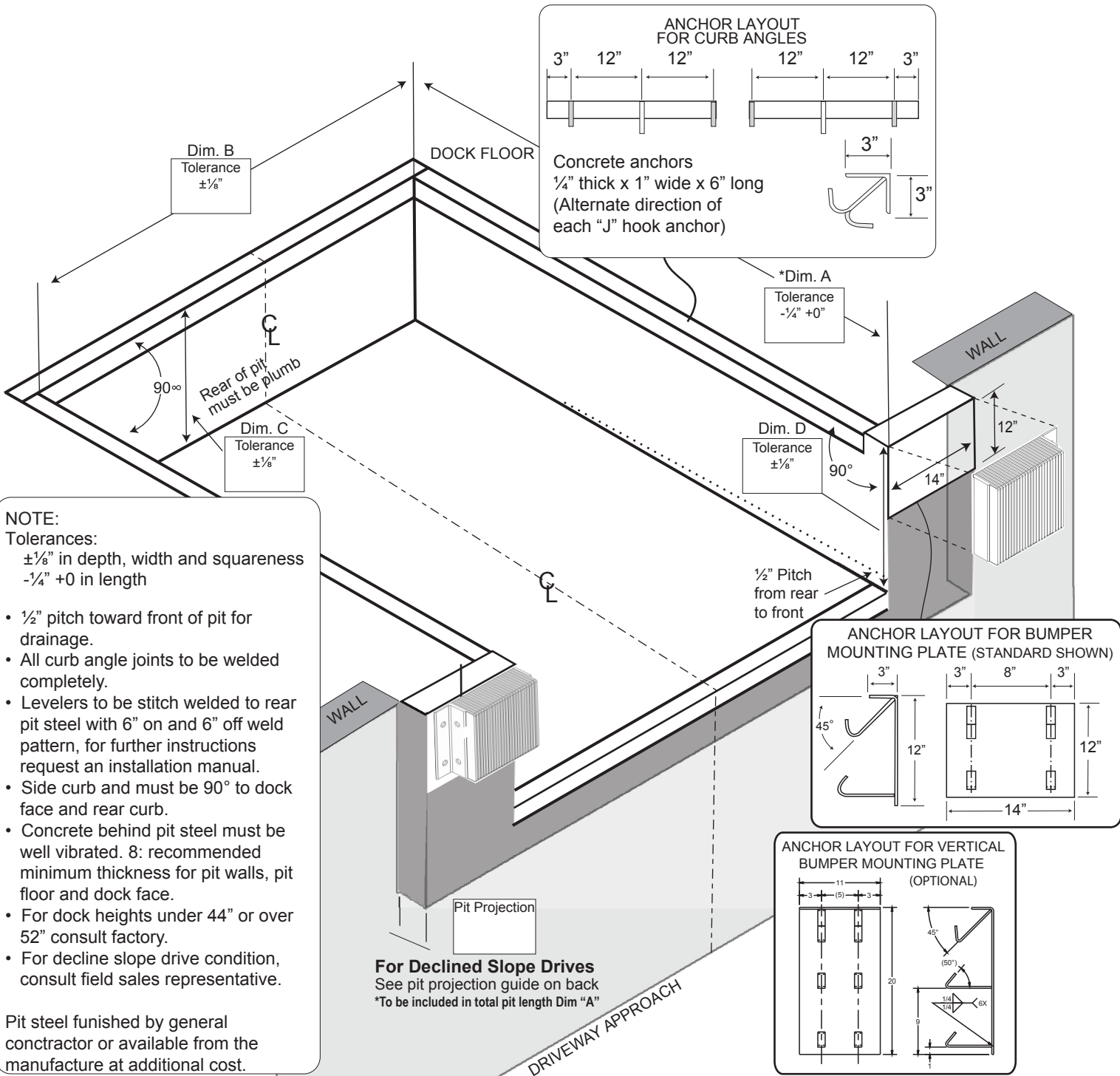


## PIT DETAIL FOR CM, HM, and LMP SERIES MECHANICAL DOCK LEVELERS



**NOTE:**  
Tolerances:  
±1/8" in depth, width and squareness  
-1/4" +0 in length

- 1/2" pitch toward front of pit for drainage.
- All curb angle joints to be welded completely.
- Levelers to be stitch welded to rear pit steel with 6" on and 6" off weld pattern, for further instructions request an installation manual.
- Side curb and must be 90° to dock face and rear curb.
- Concrete behind pit steel must be well vibrated. 8: recommended minimum thickness for pit walls, pit floor and dock face.
- For dock heights under 44" or over 52" consult factory.
- For decline slope drive condition, consult field sales representative.

Pit steel finished by general contractor or available from the manufacture at additional cost.

**For Declined Slope Drives**  
See pit projection guide on back  
\*To be included in total pit length Dim "A"

Customer: _____	<b>Certified For Construction:</b>
Job: _____	By: _____
Location: _____	Date: _____
Qty: _____	Company: _____
Model/Size: _____	City & State: _____
Capacity: _____	Drawing #: _____
Represented By: _____	
Sales Representative: _____	

Pit dimensional tolerances are  $\pm 1/8"$  in depth, width and squareness,  $-1/4" +0$  in length.  
 POWERAMP/Systems, LLC assume no liability for deviations beyond this tolerance.

Dimensions below are for all CM, HM, and LMP Series Mechanical pit type levelers, all capacities								
	Contractors Bill Of Material				Nominal Pit Dimensions			
	Curb Angles $1/4" \times 3" \times 3"$			Mounting Plates $1/4"$ Thick	* Dim. "A" Length	Dim. "B" Width	Dim. "C" Depth (rear)	Dim. "D" Depth (front)
	Front (Qty 1)	Rear (Qty 1)	Side (Qty 2)	Bumper Plates (Qty 2)				
<b>6' x 6'</b>	74"	80"	60"	3" x 12" x 14"	63"	74"	19 1/2"	20"
<b>6.5' x 6'</b>	80"	86"	60"	3" x 12" x 14"	63"	80"	19 1/2"	20"
<b>7' x 6'</b>	85"	91"	60"	3" x 12" x 14"	63"	85"	19 1/2"	20"
<b>6' x 8'</b>	74"	80"	84"	3" x 12" x 14"	87"	74"	19 1/2"	20"
<b>6.5' x 8'</b>	80"	86"	84"	3" x 12" x 14"	87"	80"	19 1/2"	20"
<b>7' x 8'</b>	85"	91"	84"	3" x 12" x 14"	87"	85"	19 1/2"	20"
<b>6' x 10'</b>	74"	80"	108"	3" x 12" x 14"	111"	74"	23 1/2"	24"
<b>6.5' x 10'</b>	80"	86"	108"	3" x 12" x 14"	111"	80"	23 1/2"	24"
<b>7' x 10'</b>	85"	91"	108"	3" x 12" x 14"	111"	85"	23 1/2"	24"

\*Dim. "A" includes any pit projection or cantilever dimension

**Optional Bumper Plates - in lieu of above**

- 11" wide x 20" high (Qty 2)
- 11" wide x 24" high (Qty 2)
- Other Bumper Embed \_\_\_\_\_ (Qty 2)

**Pit Projection Guide for Decline Slope Driveways**

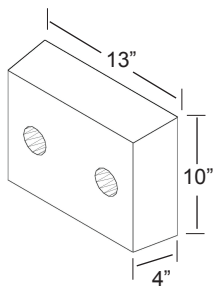
Percentage Of Grade =  $\frac{\text{Rise of Driveway}}{\text{Driveway Length}}$

% of Driveway Grade	0%	1%	2%	3%	4%	5%	6%	7%	8%	9%	10%
Pit Projection *Excludes Bumper Projection	0"	3"	4"	5"	6"	7"	8"	9"	10"	11"	12"

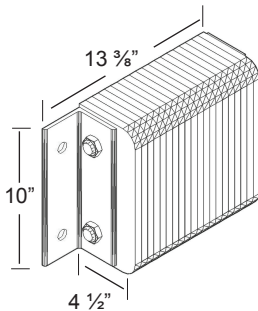
**NOTE:** Projection of pit may require modifications to seals and shelters. Coordinate with supplier if required.

**Bumper Layout**

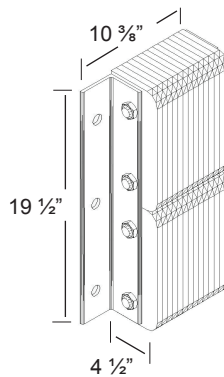
Model DB 13



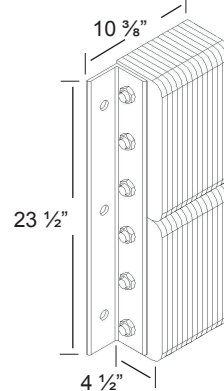
Model B410-14F



Model VB420-11F



Model VB424-11F



**Bumper Consideration**

- 2 Model DB 13 Molded bumpers **Standard on CM & LMP Series Levelers**
- 2 Model B410-14F laminated bumpers **Standard on HM Series Levelers**
- Optional - 6" Projection
- Optional - Steel face
- 2 Model VB420-11F laminated bumpers
- Optional - 6" Projection
- Optional - Steel face
- 2 Model VB424-11F laminated bumpers
- Optional - 6" Projection
- Optional - Steel face
- Other Bumper: \_\_\_\_\_

A continuing product improvement process is in effect at Systems, LLC. We reserve the right to make product changes without prior notice.