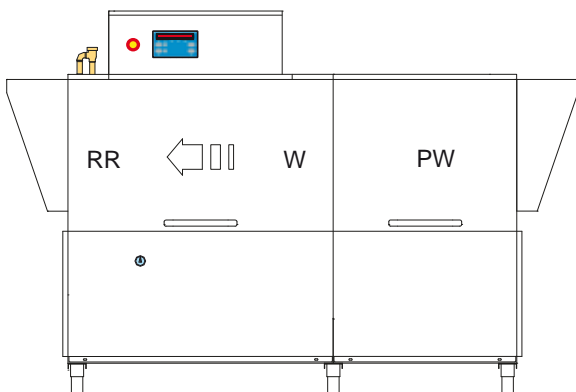
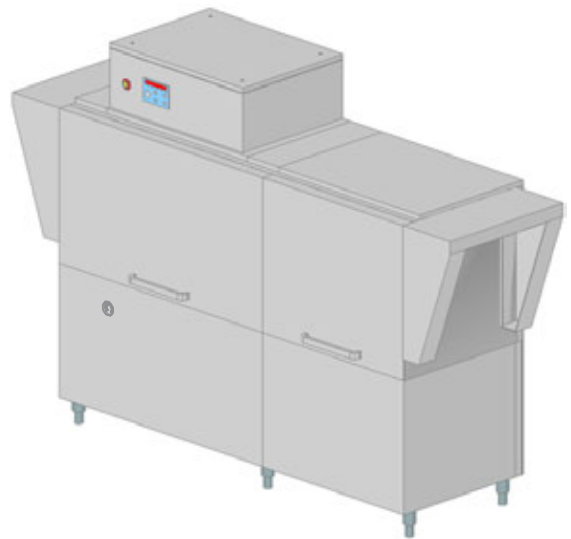
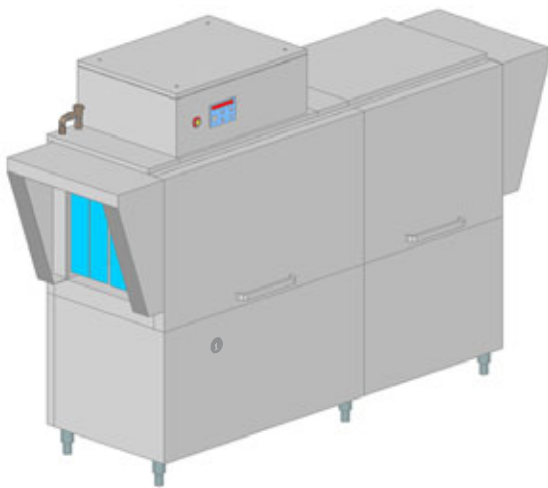


 **— SPARE PARTS MANUAL**

Model: RC86 ( Type 244E [ DW213E ] )



## Parti di ricambio

## Spare Parts

## Catalogues pièces

## Plezas de recambis

## Ersatzteile

### INFORMAZIONI GENERALI

Questo catalogo serve per richiedere con esattezza le parti di ricambio

Nelle ordinazioni indicare:

1) il numero dei codici dei particolari seguito dalla descrizione e la quantità desiderata;

2) Il codice alfa-numerico presente nella seconda colonna della tabella ;

**I disegni delle parti di ricambio sono solo indicativi e non rappresentano il pezzo in oggetto.**

**I dati contenuti in questo catalogo sono indicativi e possono essere soggetti a modifiche senza impegno di preavviso.**

### ALLGEMEINE INFORMATIONEN

Dieser Ersatzteilkatalog dient zur genauen Angabe der Teile bei Ersatzteilbestellungen.

Bei Ersatzbestellung ist folgendes anzugeben:

1) Die Bestellnummer der Ersatzteile mit der entsprechenden Beschreibung genaue Menge;

2) Der alpha-numerischer Code auf der zweiten Reihe in dein Spult;

**Die Zeichnungen der Ersatzteile sind nur als Hinweise gedacht und stellen nicht das betroffene Teil dar.**

**Bei den im Katalog angeführten Daten handelt es sich um Anhaltsdaten, die jederzeit, ohne Vorankündigung, geändert werden können.**

### GENERAL INFORMATION

The present spare parts order exactly the right spare parts

When ordering specify:

1) the part's code number followed by its description and quantity needed;

2) The alpha-numeric code is in the second column in the chart;

**Spare parts drawings are general and do not represent the part.**

**The contents of this catalogue are general and can undergo changes without prior notice.**

### INFORMACIONES GENERALES

El presente catálogo sirve para pedir con exactitud las partes de repuesto

En los pedidos se debe indicar:

1) el número de código de la parte y a continuación la descripción cantidad deseada;

2) El código alfanumerico presente en la signada columna de la tabla;

**Los diseños de las partes de recambio son solo indicativos y no representan la pieza en cuestión.**

**Los datos contenidos en el presente catálogo son indicativos y pueden modificarse sin aviso previo.**

### INFORMATIONS GENERALES

Ce catalogue permet de commander correctement les pièces détachées

Les commandes doivent être passées en indiquant:

1) le numero de code des pièces détachées suivi de leur description quantité désirée;

2) le code alphanumérique dans la deuxième colonne du tableau;

**Les plans des pièces détachées sont fournis seulement à titre indicatif et ne représentent pas la pièce concernée.**

**Les données de ce catalogue sont citées seulement à titre indicatif et peuvent être l'objet de modifications sans avis préalable.**

### ESEMPIO EXAMPLE EXEMPLE BEISPIEL

ITEM / ID	CODICE / P-code
1	DW3000118
2	DW3000118/A
3	DW3000118/B
4	DW3000117

### Note

*Tutte le informazioni riportate si intendono aggiornate alla data di stampa. Il Produttore si riserva il diritto di apportare qualsiasi modifica richiesta dallo sviluppo evolutivo dei suddetti prodotti.*

*Per la sicurezza ,la garanzia, l'affidabilità ed il valore della lavastoviglie usa solo ricambi originali. **Per alcuni codici, sono richieste quantità minime d'ordine.***

### Attenzione

*Questo libretto è parte integrante della lavastoviglie e, in caso di passaggio di proprietà, deve essere consegnato al nuovo acquirente.*

### Remarque

*Toutes les informations contenues dans ce manuel s'entendent mises à jour à la date d'impression. En raison du développement constant de ses produits, usine se réserve le droit d'apporter à tout instant les modifications qu'elle jugera utiles.*

*Pour la sécurité, la garantie, la fiabilité et la valeur de votre lavevaisselles, n'utilisez que des pièces de rechange d'origine. **Pour quelque référence on demande un minimum de pièces par commande***

### Attention

*Ce manuel doit être considéré comme partie intégrante de la lavevaisselles, en cas de transfert de propriété, doit toujours être remis au nouveau propriétaire.*

### Note

*The information contained herein is valid at the time of going to print. The Company reserves the right to make any changes required by the future development of the above-mentioned products.*

*For your safety, as well as to preserve the warranty reliability and worth of your dishwashers , use original spare parts only. **For some codes a minimum quantity for order is required.***

### Warning

*This manual forms an integral part of the dishwashers and - if a transfer of title occurs - must always be handed over to the new owner.*

### Hinweis

*Die Der Hersteller behält sich das Recht vor, jegliche, durch eine Weiterentwicklung der genannten Produkte bedingte Änderungen vornehmen zu können.*

*Verwenden Sie für Ihre Sicherheit, die Garantie, die Zuverlässigkeit und den Wert Ihrer machine originale Ersatzteile. **Für bestimmte Code nummer werden mindesten bestellungen verlangt.***

### Achtung

*Diese Betriebsanleitung ist Bestandteile des machine und muss bei seinem Weiterverkauf dem neuen Besitzer ausgehändigt werden.*



# Spare parts

PREWASH ZONE (900).....6

1st WASH ZONE+RINSI ZONE (W+RR).....20

SPLASH ZONE ( L=300 ).....40

CONTROL PANEL.....44

SOLENOID VALVE ASSEMBLY.....52

DRAINAGE ASSEMBLIES.....55

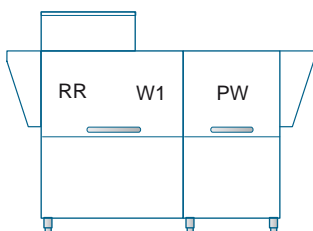
CONVEYOR PARTS.....60

PUMP.....66

BREAK TANK & VACUUM BREAKER.....70

OVER FLOW PIPE.....76

ITEM / ID	(IT)	(EN)	(FR)
SG	PARASPRUZZI	SPLASH ZONE	SAS
AS	PREL.AUTOMATICO	PRE-WASH SHOWER	PRELAVAGE AUT.+TIROR
PW	PRELAVAGGIO	PRE-WASH	PRÉLAVAGE
W2	2°LAVAGGIO	SECOND WASH	2°LAVAGE
W1	1°LAVAGGIO	FIRST WASH	1°LAVAGE
RR	RISCIACQUO POT.	POWER RINSE	RINÇAGE PLUS
CP	PANNELLO COM.	CONTROL PANELL	PANNEAU DE CONTROLÉ
D	ASCIUGATURA	DRYER	SECHAGE




Parti di ricambio

Spare Parts

Catalogues pièces

Plezas de recambis

Ersatzteile




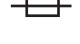
---

**Code** DW 009M.0001 **CL/Part**

**Model DESCRIPTION**

**S/N** DW A 1000001 **Type** .....


400V 3N 50HZ 8A  
3500W 500W

  16A

Pressione Dinamica alimentazione idrica 200-500 kPa  
Pression dynamique arrivèe d'eau  
Dynamic pressure water supply  
Dynamischer Druck asserreinlauf

Pressione dinamica vapore saturo  
Pression dynamique vapore satueèe  
Dymanischer Druck gesattigter Dampf  
Pression Dinamica Vapor Saturado


**TECHICAL SPECIFICATION**




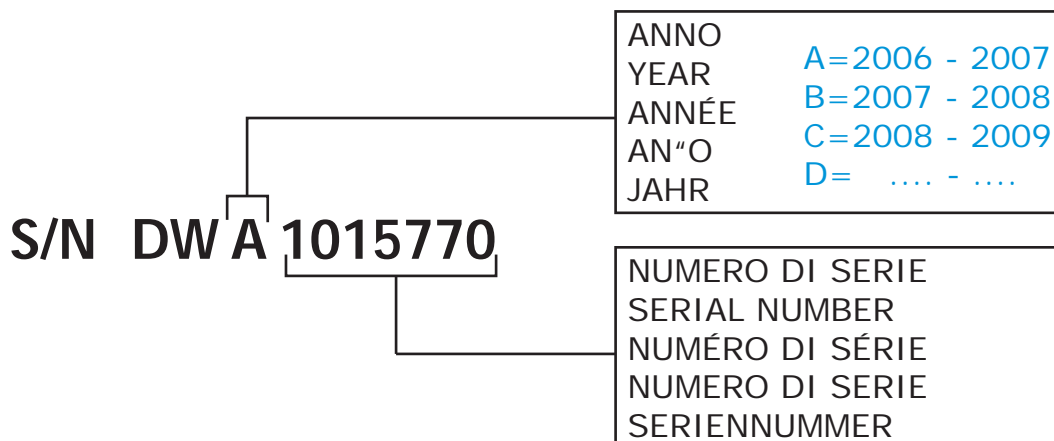
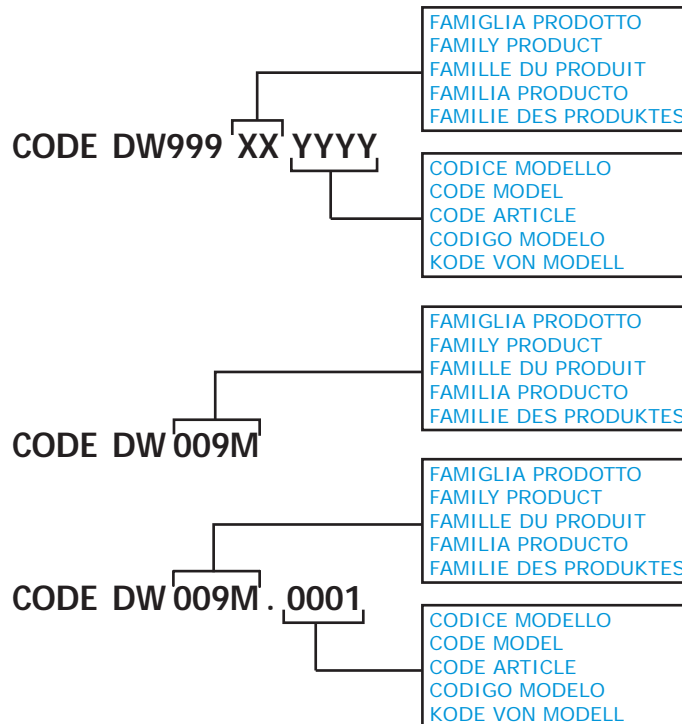
**MADE IN ITALY**

Temperatura massima acqua in ingresso 60°C  
Temperature max eau a l'entre  
Maximale Temperatur Wasseranschlu  
Maximum Water temperature in-feeding

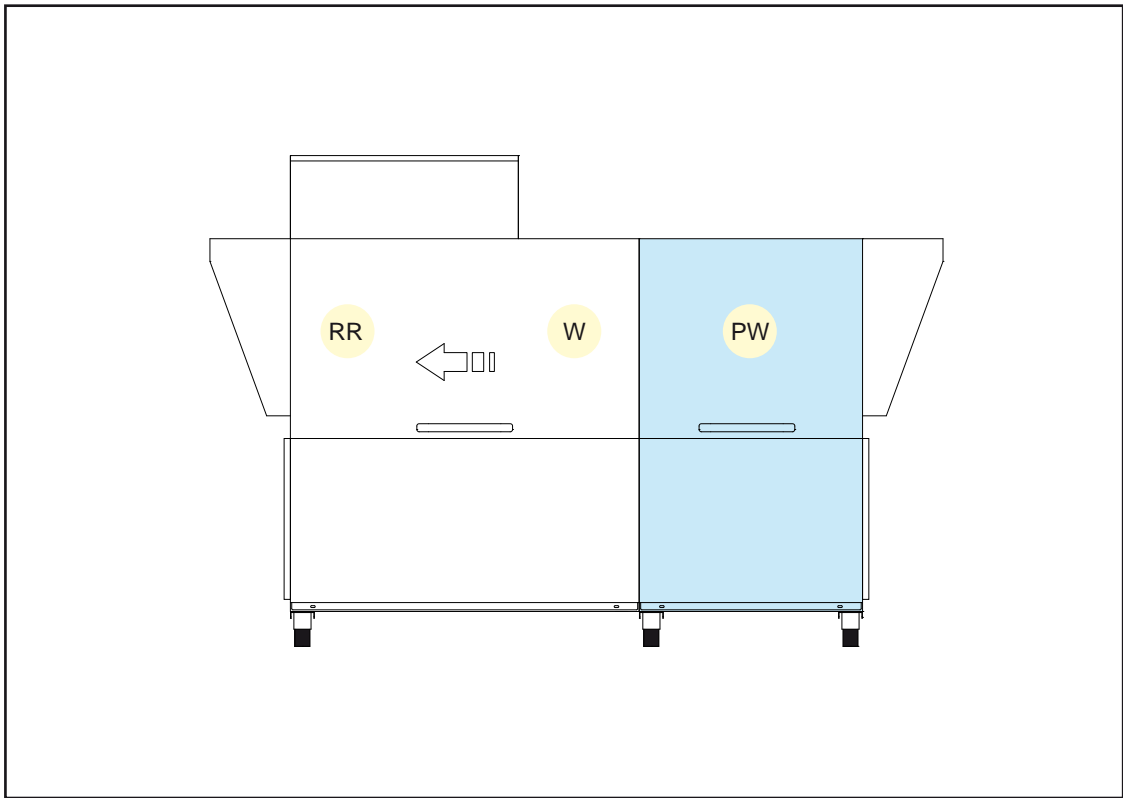
---

Model 

S/N 



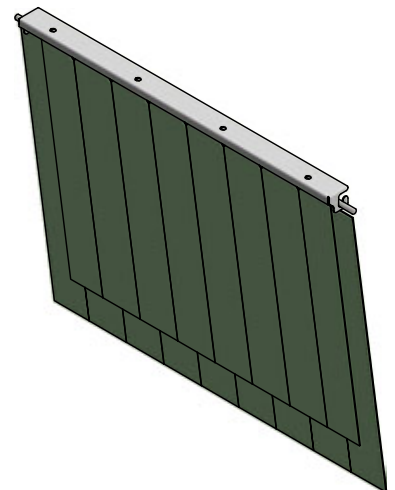
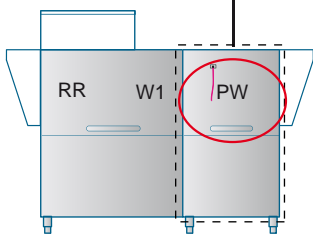
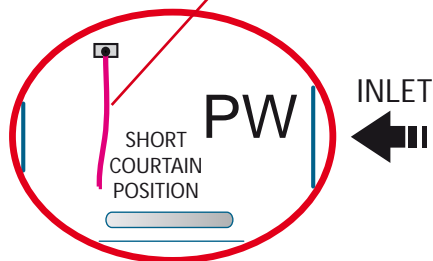
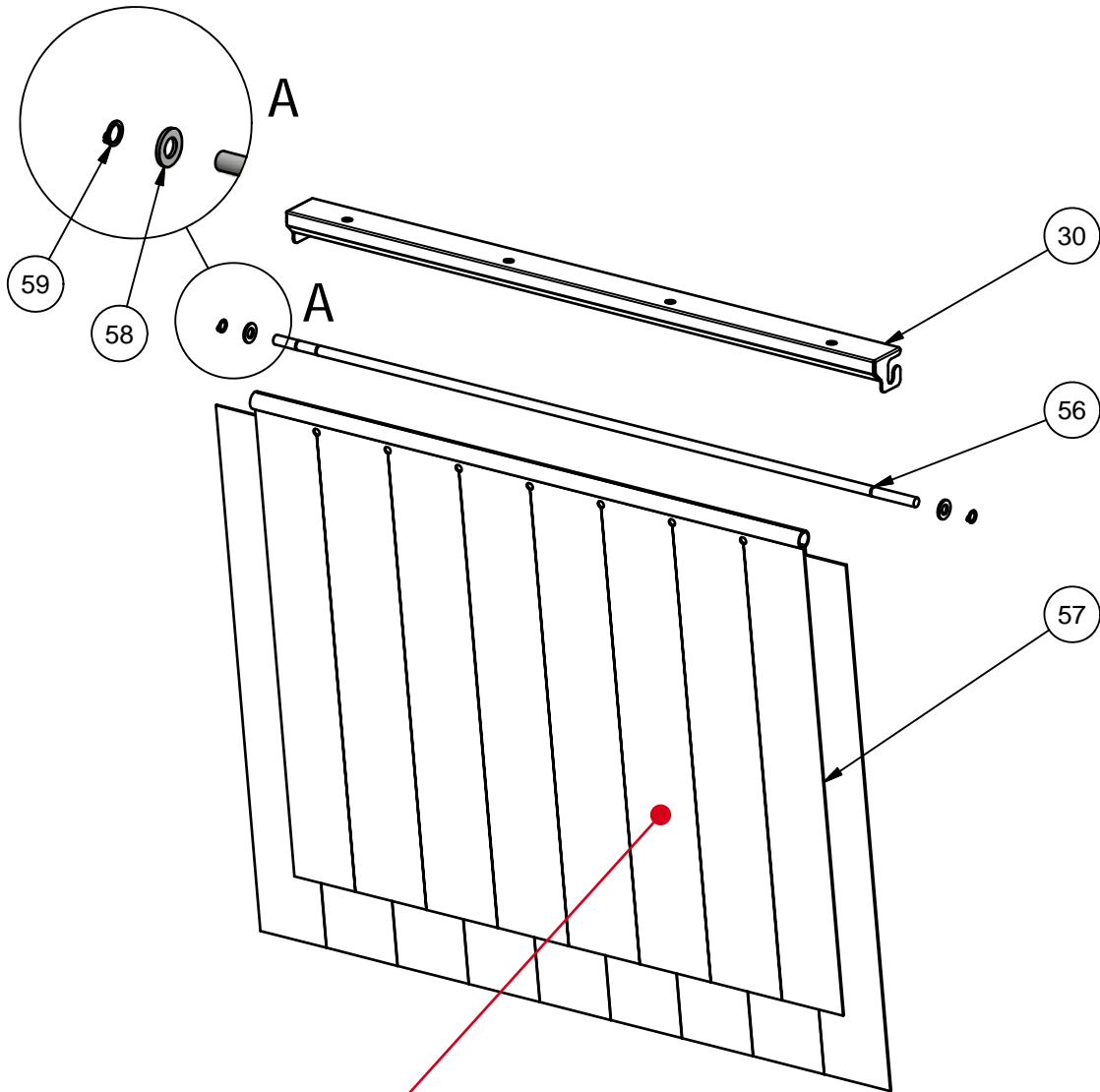




 — **PREWASH ZONE**

ITEM / ID	(IT)	(EN)	(FR)
SG	PARASPRUZZI	SPLASH ZONE	SAS
AS	PREL.AUTOMATICO	PRE-WASH SHOWER	PRELAVAGE AUT.+TIROR
PW	PRELAVAGGIO	PRE-WASH	PRELAVAGE
W2	2°LAVAGGIO	SECOND WASH	2°LAVAGE
W1	1°LAVAGGIO	FIRST WASH	1°LAVAGE
RR	RISCIACQUO POT.	POWER RINSE	RINÇAGE PLUS
CP	PANNELLO COM.	CONTROL PANELL	PANNEAU DE CONTRÔLE
D	ASCIUGATURA	DRYER	SECHAGE

DWG-XXXX  
Rev.00 - 05/2017

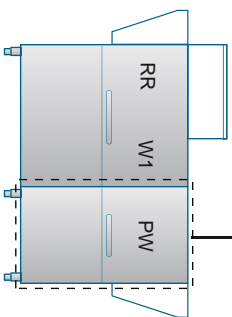
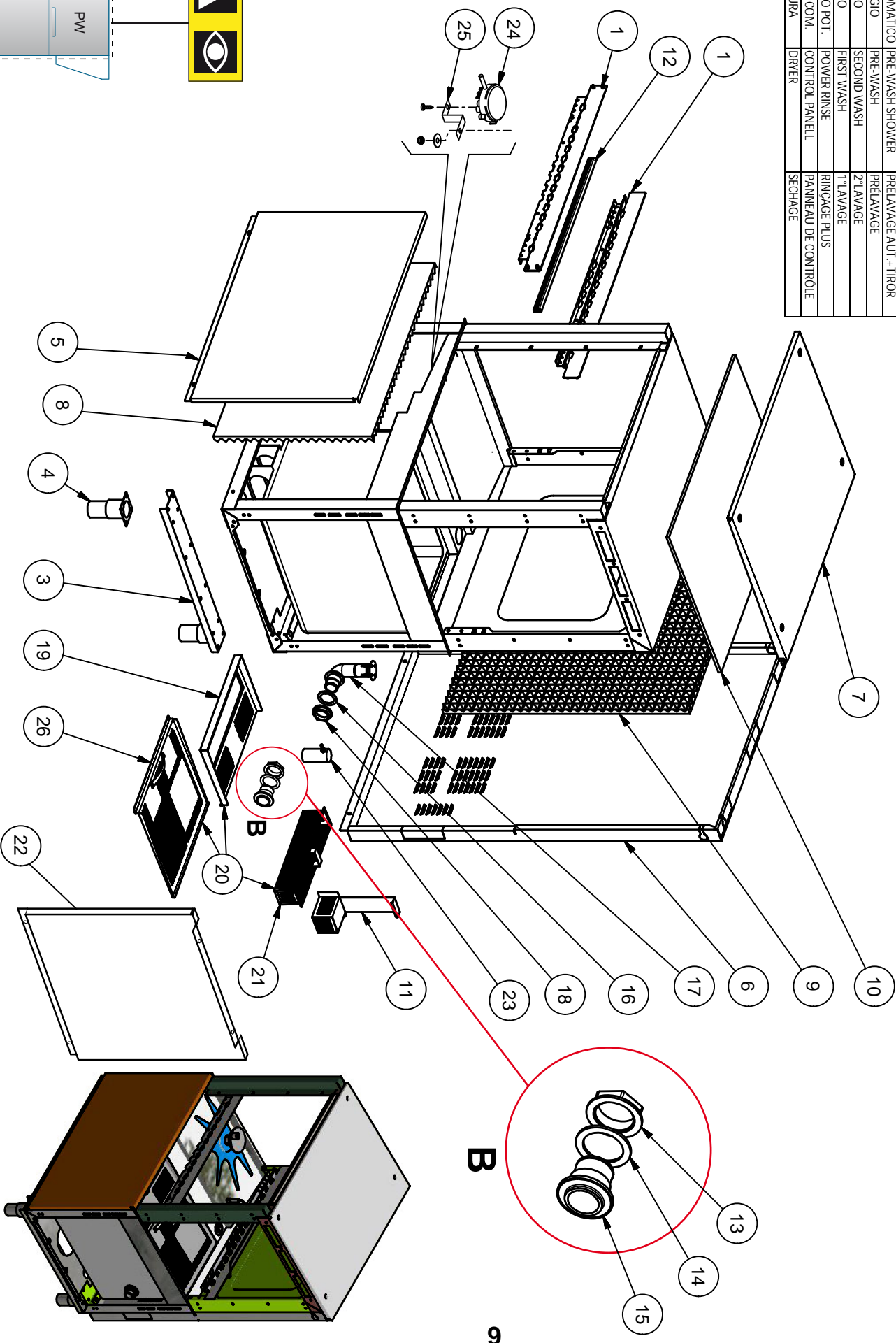




ITEM / ID	CODICE / P-code	DESCRIPTION (EN)	Q.TA'/Q.TY
30	DW3070199	CURTAIN SUPPORT	1
56	DW3004052	CURTAIN ROD	1
57	DW3071072	CURTAIN	1
58	DW11185	INOX WASHER 8x16 DIN125	2
59	DW11815	SEEGER Ø8 INOX UNI 7435	2



ITEM / ID	(IT)	(EN)	(FR)
SG	PARASPRUZZI	SPLASH ZONE	SAS
AS	PREL AUTOMATICO	PRE-WASH SHOWER	PRELAVAGE AUT + TIROR
PW	PRELAVAGGIO	PRE-WASH	PRELAVAGE
W2	2° LAVAGGIO	SECOND WASH	2° LAVAGE
W1	1° LAVAGGIO	FIRST WASH	1° LAVAGE
RR	RISCIOCCO POT.	POWER RINSE	RINÇAGE PLUS
CP	PANNELLO COM.	CONTROL PANEL	PANNEAU DE CONTROLE
D	ASCIUGATURA	DRYER	SECHAGE





ITEM / ID	CODICE / P-code	DESCRIPTION (EN)	Q.TA'/Q.TY
1	DW3070017	GASKET GUIDE 900	2
3	DW3070178	FRAME REINFORCEMENT	1
4	DW80116	FOOT	2
5	DW3070193	LOWER DOOR 900	1
6	DW3070204	BACK SIDE COVER 900	1
7	DW3009679	EXTERNAL DISE PANEL (900mm)	1
8	ND	LOWER DOOR INSULATION 900	1
9	ND	BACK SIDE COVER INSULATION 900	1
10	DW3009121	BIADHESIVE EXPANDED POLYETHYLENE	1
11	DW3019071	PUMP SUCTION FILTER	1
12	DW3071114	DOOR SEAL	1
13	DW392059	1" 1/2 LOCK NUT	1
14	DW392060	65x47x3 NBR FLAT SEAL	2
15	DW392061	HORIZONTAL RACKING	2
16	DW392060	65x47x3 NBR FLAT SEAL	2
17	DW392062	PLASTIC RACKING	1
18	DW392059	1" 1/2 LOCK NUT	1
19	DW3070140/A	WASH ZONE FILTER WITH HOLE	1
20	DW3070008	FILTER ASSEMBLY	1
21	DW3070006/A	WASH FILTER DRAWER ASSEMBLY	1
22	DW3070157	RIGHT SIDE PANEL	1
23	DW80106	S/S AIR TRAP	1
24	DW3071256	"UL" PRESSURE SWITCH (250-40)	1
25	DW3009363	PRESSURE SWITCH SUPPORT	1
26	DW3070008/A	REAR FILTER WASH	1



ECONOMIZZATORE

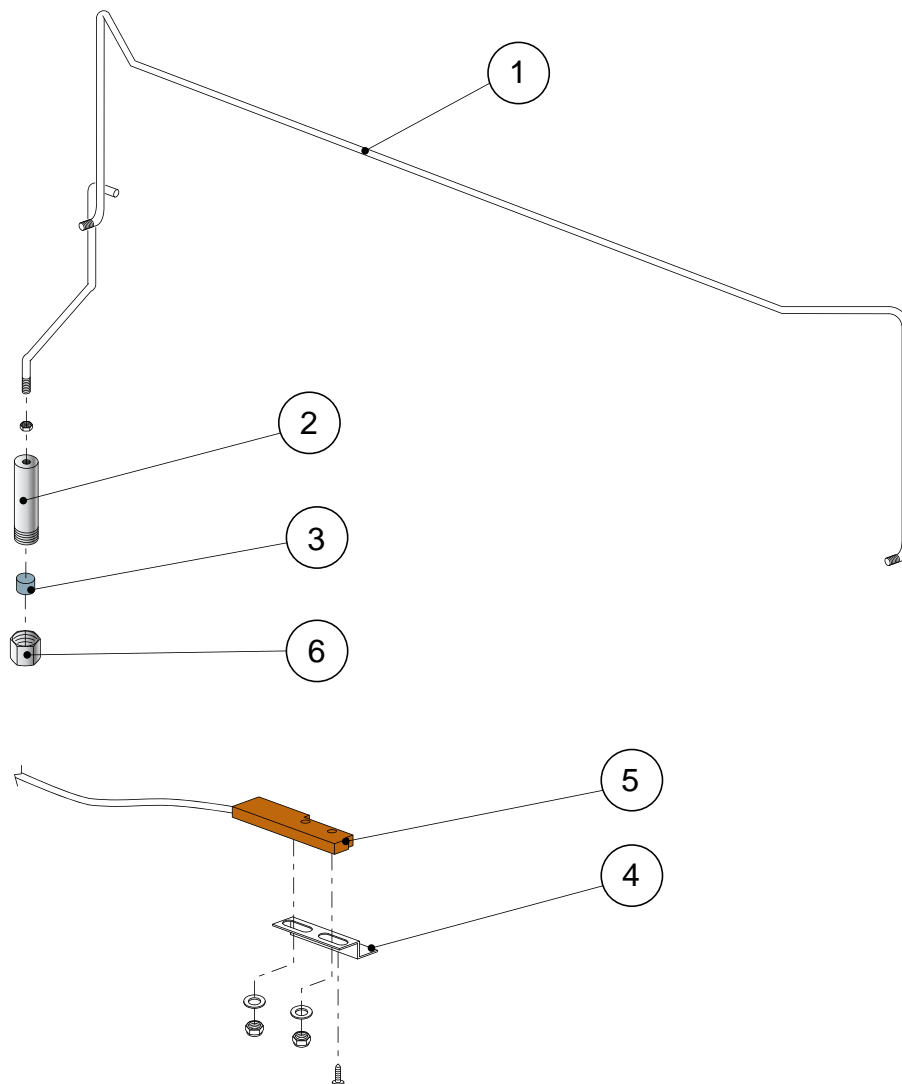


ECONOMIZER

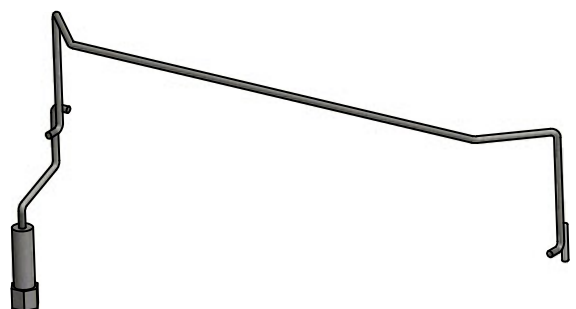
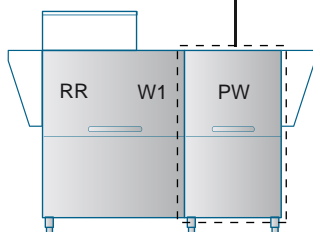


ECONOMISEUR

DWG-XXXX  
Rev.00 - 05/2017



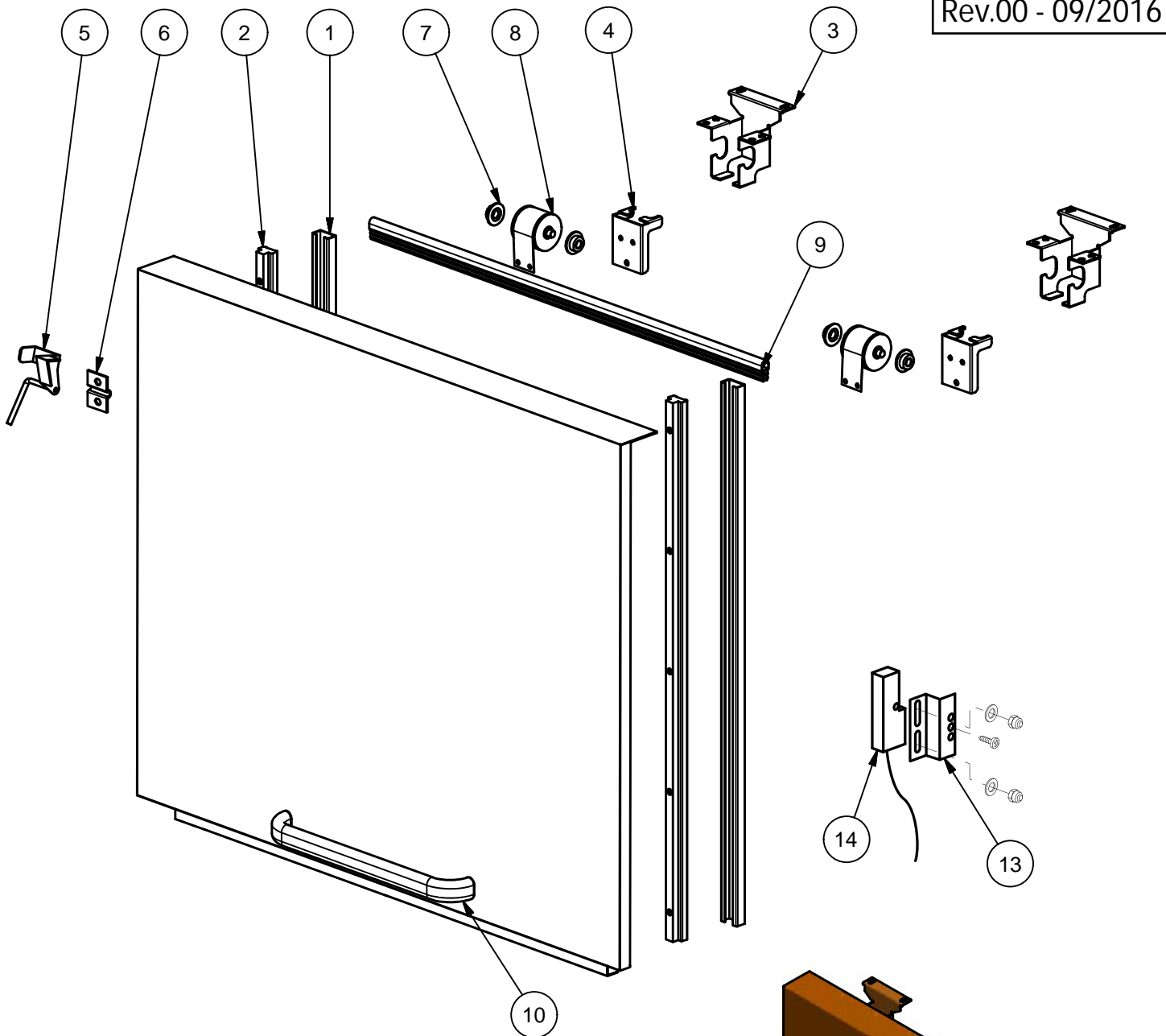
ITEM / ID	(IT)	(EN)	(FR)
SG	PARASPRUZZI	SPLASH ZONE	SAS
AS	PREL.AUTOMATICO	PRE-WASH SHOWER	PRELAVAGE AUT.+TIROR
PW	PRELAVAGGIO	PRE-WASH	PRELAVAGE
W2	2°LAVAGGIO	SECOND WASH	2°LAVAGE
W1	1°LAVAGGIO	FIRST WASH	1°LAVAGE
RR	RISCIACQUO POT.	POWER RINSE	RINÇAGE PLUS
CP	PANNELLO COM.	CONTROL PANELL	PANNEAU DE CONTRÔLE
D	ASCIUGATURA	DRYER	SECHAGE



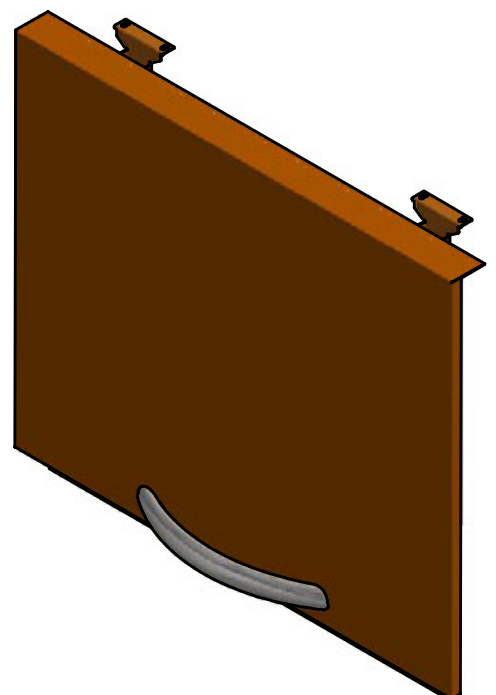
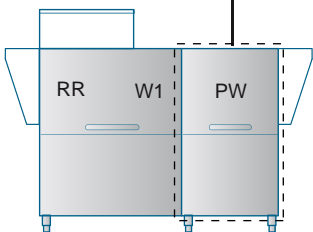


ITEM / ID	CODICE / P-code	DESCRIPTION (EN)	Q.TA'/Q.TY
1	DW3071010	RIGHT RACK SWITCH ARM (mod.900)	1
1	DW3071011	LEFT RACK SWITCH ARM ( mod.900)	1
2	DW3003058	MAGNETE HOLDER	1
3	DW3003113	MAGNET	1
4	DW3009112	ECONOMIZER MICROSWITCH SUPPORT	1
5	DW3003112	ECONOMIZER MICROSWITCH	1
6	DW3004184	PLUG	1

DWG-51163  
Rev.00 - 09/2016



ITEM / ID	(IT)	(EN)	(FR)
SG	PARASPRUZZI	SPLASH ZONE	SAS
AS	PREL.AUTOMATICO	PRE-WASH SHOWER	PRELAVAGE AUT.+TIROR
PW	PRELAVAGGIO	PRE-WASH	PRELAVAGE
W2	2°LAVAGGIO	SECOND WASH	2°LAVAGE
W1	1°LAVAGGIO	FIRST WASH	1°LAVAGE
RR	RISCIACQUO POT.	POWER RINSE	RINÇAGE PLUS
CP	PANNELLO COM.	CONTROL PANELL	PANNEAU DE CONTRÔLE
D	ASCIUGATURA	DRYER	SECHAGE





ITEM / ID	CODICE / P-code	DESCRIPTION (EN)	Q.TA'/Q.TY
1	DW3009033	SLIDEWAYS	2
2	DW3070031	DOOR ASSEMBLY 900	1
3	DW3070197	SPRING SUPPORT L38	2
4	DW3070134	DOOR STOP	2
5	DW3000315	SAFETY DOOR HOOK	1
6	DW3000314	SAFETY DOOR BRACKET	1
7	DW3004012	SPRING HOLDER	4
8	DW3004011	DOOR SPRING BBSR 23	2
9	DW3071114	DOOR GASKET	1
10	DW22215	INOX HANDLE	1
11	---	---	--
12	---	---	--
13	DW3009112	MICROSWITCH SUPPORT	1
14	DW3003112	DOOR MICROSWITCH	1



RAMPA DI LAVAGGIO

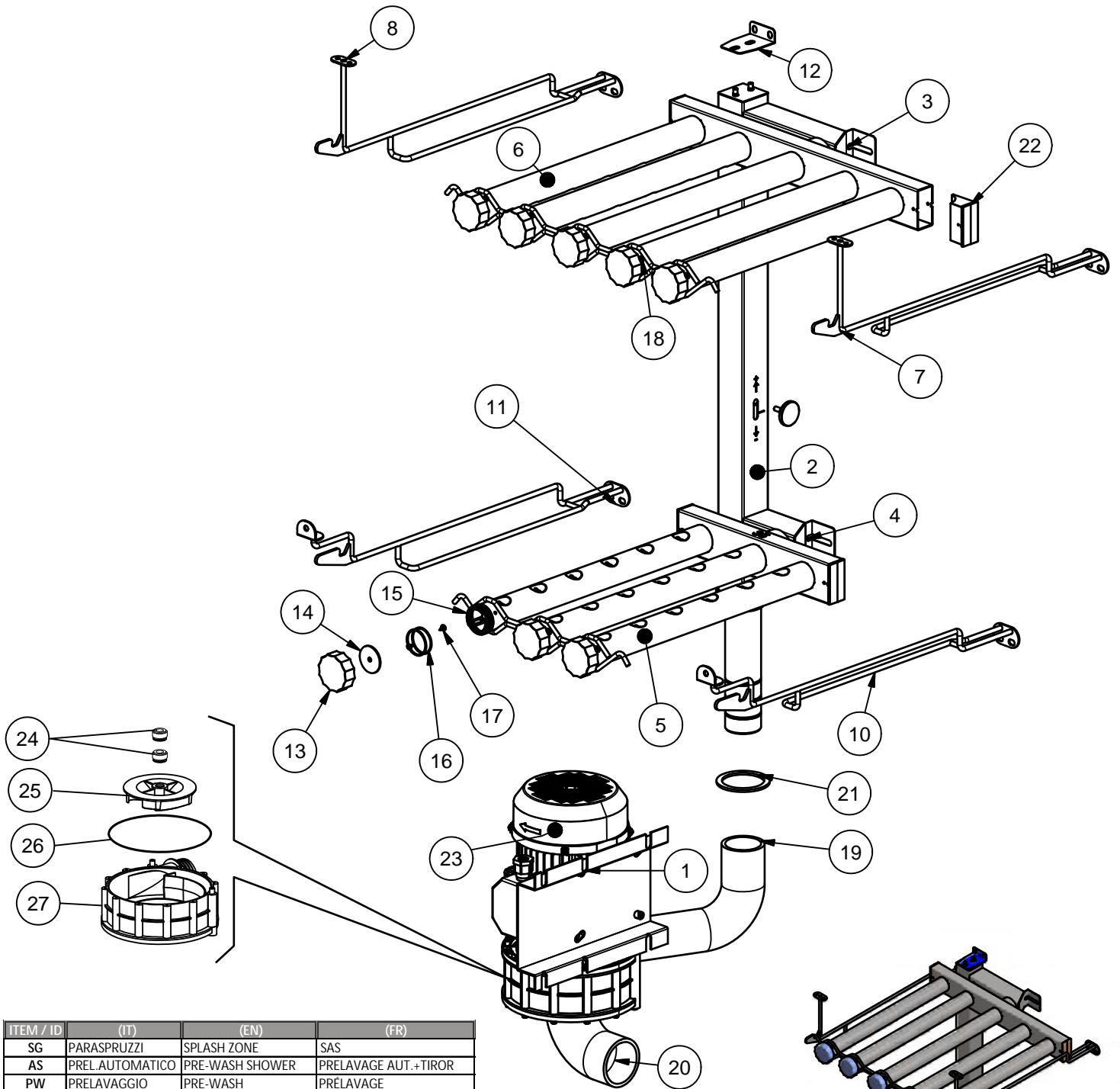


WASH RAMP

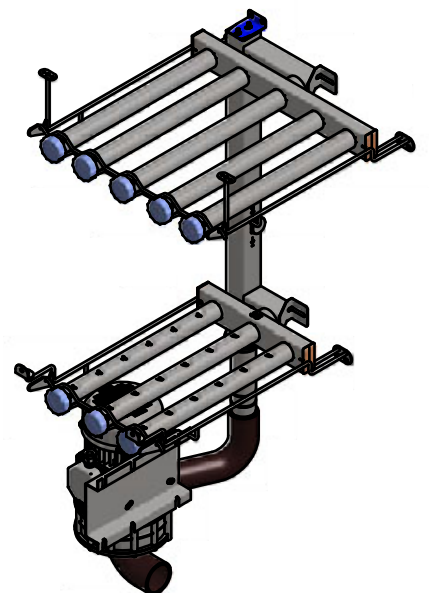
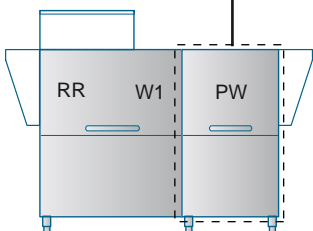


RAMPE DE LAVAGE

DWG-XXXX  
Rev.00 - 05/2017



ITEM / ID	(IT)	(EN)	(FR)
SG	PARASPRUZZI	SPLASH ZONE	SAS
AS	PREL.AUTOMATICO	PRE-WASH SHOWER	PRELAVAGE AUT.+TIROR
PW	PRELAVAGGIO	PRE-WASH	PRELAVAGE
W2	2°LAVAGGIO	SECOND WASH	2°LAVAGE
W1	1°LAVAGGIO	FIRST WASH	1°LAVAGE
RR	RISCIACQUO POT.	POWER RINSE	RINÇAGE PLUS
CP	PANNELLO COM.	CONTROL PANELL	PANNEAU DE CONTRÔLE
D	ASCIUGATURA	DRYER	SECHAGE

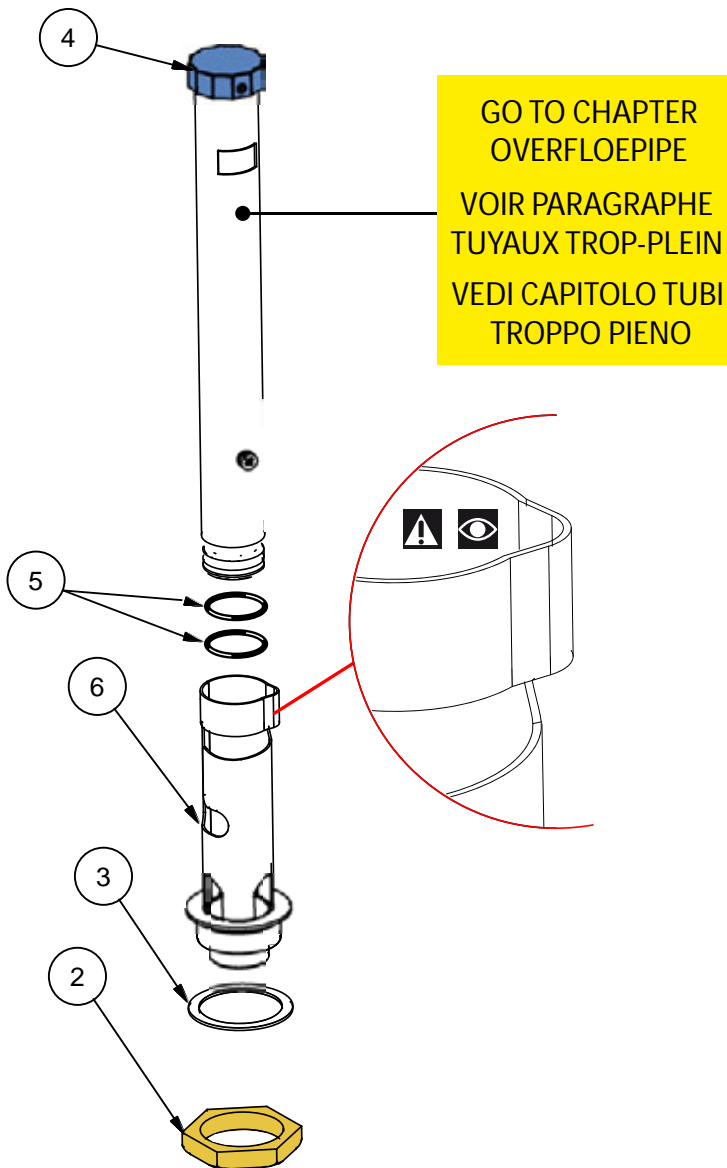




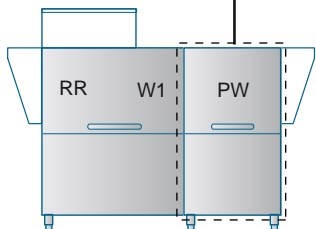
ITEM / ID	CODICE / P-code	DESCRIPTION (EN)	Q.TA'/Q.TY
1	DW3009148	WASH PUMP SUPPORT	1
2	DW3071050	WASH RAMP	1
3	DW3071047	RACK SIDE CONNECTION 5 (5+3)	1
4	DW3071043	RACK SIDE CONNECTION 3 (3+2 / 5+3)	1
5	DW3071035	RIGHT RACK 3 (5+3)	1
5	DW3071036	LEFT RACK 3 (5+3)	1
6	DW3071037	RACK 5 (5+3)	1
7	DW3071024	RIGHT UPPER GUIDE	1
8	DW3071025	LEFT UPPER GUIDE	1
22	DW3071027	RECTANGULAR PLUG FOR RAMP	4
10	DW3071022	RIGHT LOWER GUIDE	1
11	DW3071023	LEFT LOWER GUIDE	1
12	DW3070247	RAMP FIXING BRACKET	1
13	DW80304	PLUG FOR GREY TERMINAL NOZZLE	1
14	DW80305	PLUG SEAL	1
15	DW3071026	RAMP PLUG FERRULE	1
16	DW3071117	OR GASKET 2137	2
17	DW11004	4x10 SPAX SCREW	4
18	ND	PLUG + FERRULE	7
19	DW3004025	L SHAPE COUPLING 50/50	1
20	DW3002020	EPDM ELBOW COUPLING	1
21	DW10200173/A	75X58X3 GASKET	1
22	DW3071027	RECTANGULAR PLUG FOR RAMP	4
23	DW88106/U	PUMP HP 2.7 208/240V 3 60Hz ("UL")	1
24	DW15080/F	ROTATING SEALS	2
25	DW88232	HP 2,7 PUMP ROTOR ("UL")	1
26	DW88231	O-RING 1225 ("UL")	1
27	DW88230	SCROLL ("UL")	1



DWG-XXXX  
Rev.00 - 05/2017



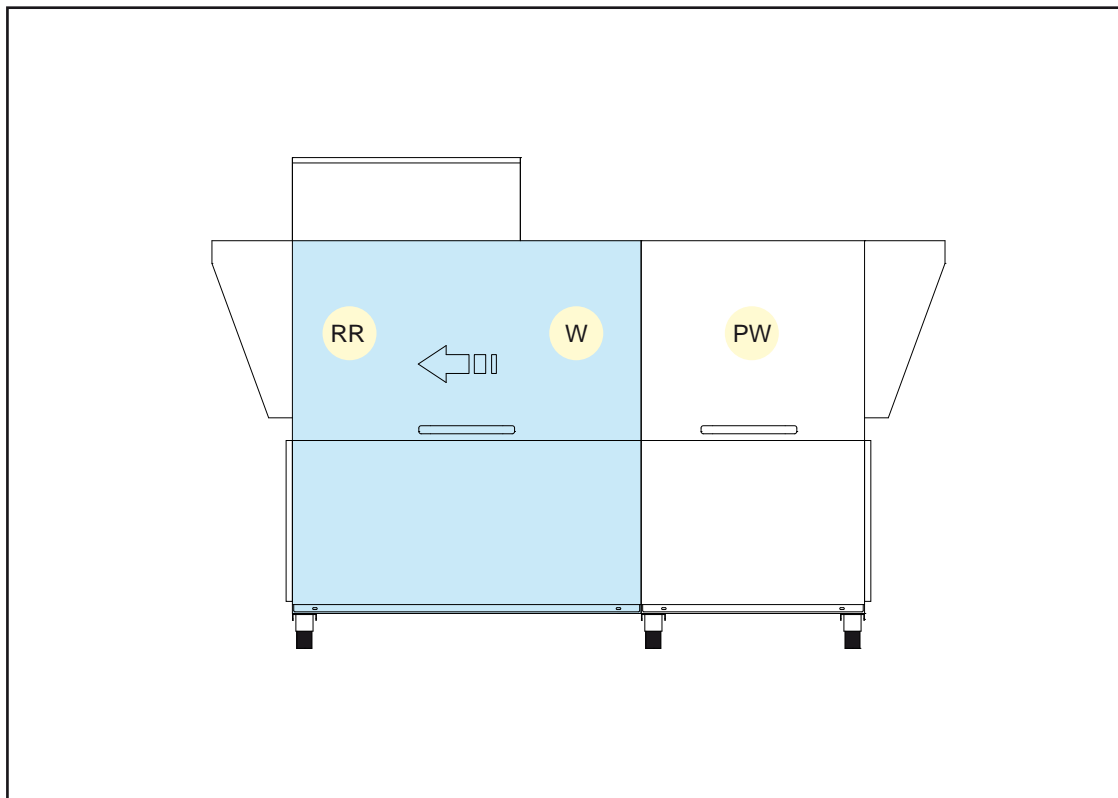
ITEM / ID	(IT)	(EN)	(FR)
SG	PARASPRUZZI	SPLASH ZONE	SAS
AS	PREL. AUTOMATICO	PRE-WASH SHOWER	PRELAVAGE AUT.+TIROR
PW	PRELAVAGGIO	PRE-WASH	PRÉLAVAGE
W2	2° LAVAGGIO	SECOND WASH	2° LAVAGE
W1	1° LAVAGGIO	FIRST WASH	1° LAVAGE
RR	RISCIACQUO POT.	POWER RINSE	RINÇAGE PLUS
CP	PANNELLO COM.	CONTROL PANELL	PANNEAU DE CONTRÔLE
D	ASCIUGATURA	DRYER	SECHAGE





ITEM / ID	CODICE / P-code	DESCRIPTION (EN)	O.TA/O.TY
1	----	----	X
2	DW10600012	FLAT NUT	1
3	DW10200173	O-RING 75X58X2	1
4	DW80304	ARM PLUG	1
5	DW13019	O-RING GASKET 140 NBR	2
6	DW3071084	OVERFLOW DIVICE SUPPORT	1

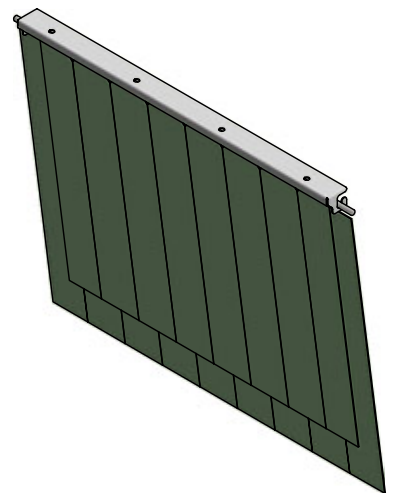
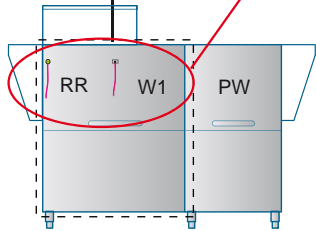
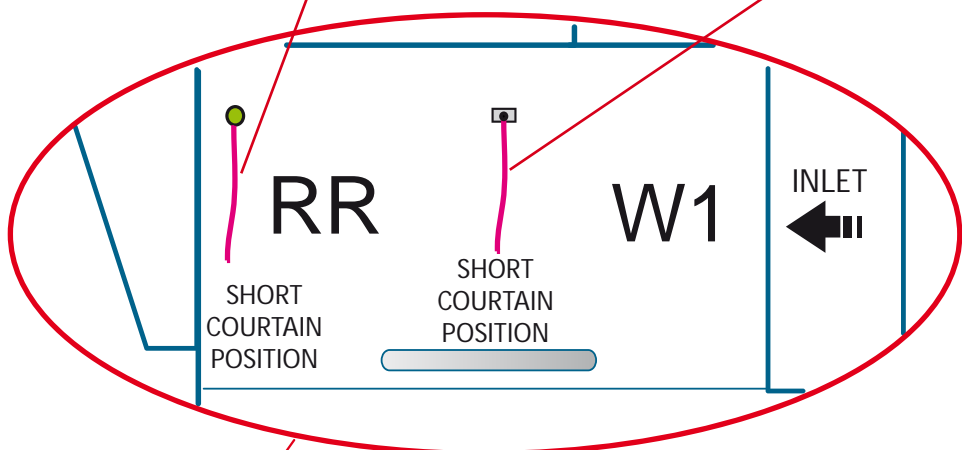
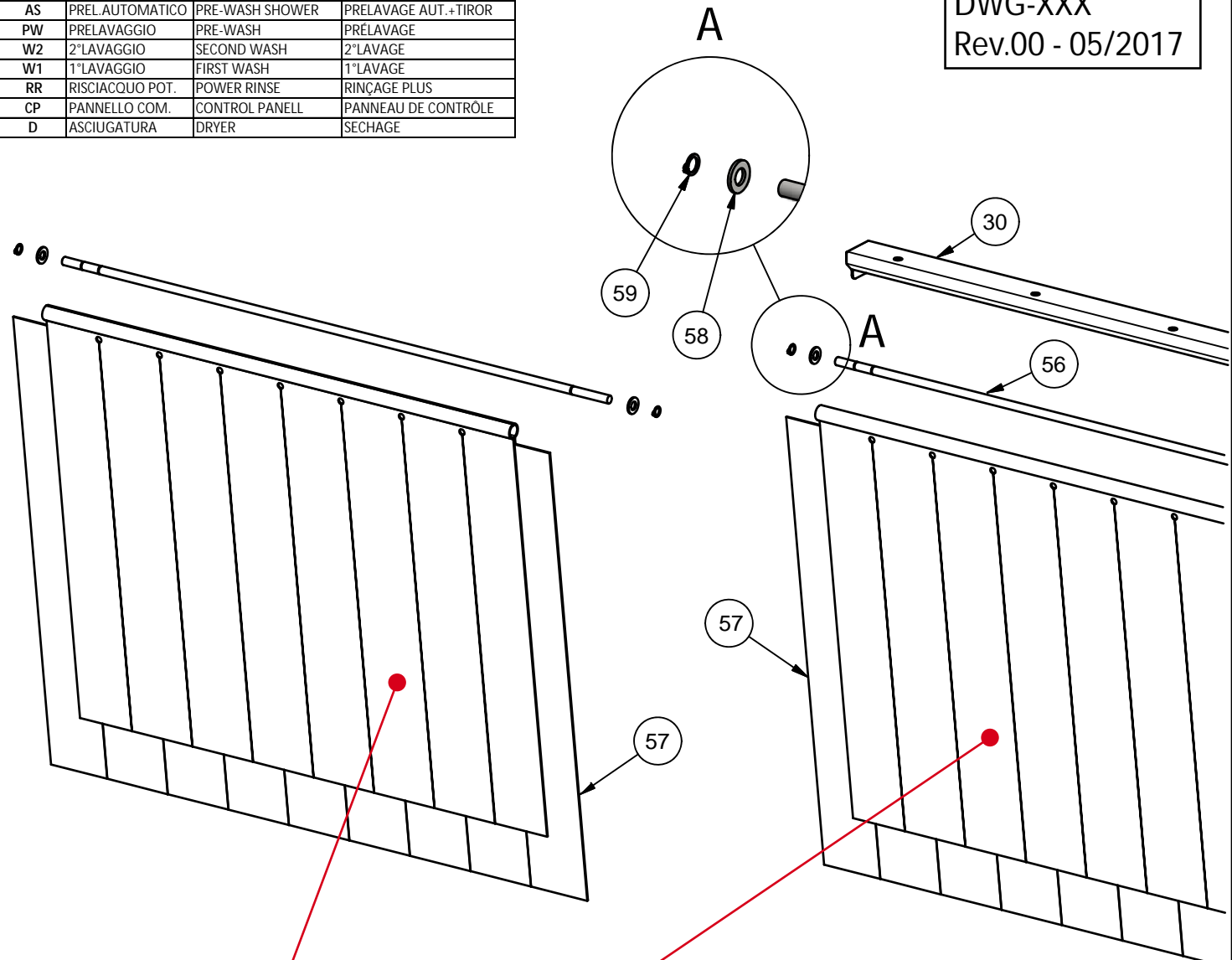




 — **1st WASH ZONE+RINSE ZONE ( RR + W )**

ITEM / ID	(IT)	(EN)	(FR)
SG	PARASPRUZZI	SPLASH ZONE	SAS
AS	PREL. AUTOMATICO	PRE-WASH SHOWER	PRELAVAGE AUT.+TIROR
PW	PRELAVAGGIO	PRE-WASH	PRÉLAVAGE
W2	2° LAVAGGIO	SECOND WASH	2° LAVAGE
W1	1° LAVAGGIO	FIRST WASH	1° LAVAGE
RR	RISCIACQUO POT.	POWER RINSE	RINÇAGE PLUS
CP	PANNELLO COM.	CONTROL PANNELL	PANNEAU DE CONTRÔLE
D	ASCIUGATURA	DRYER	SECHAGE

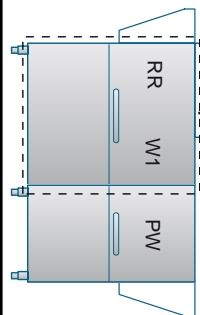
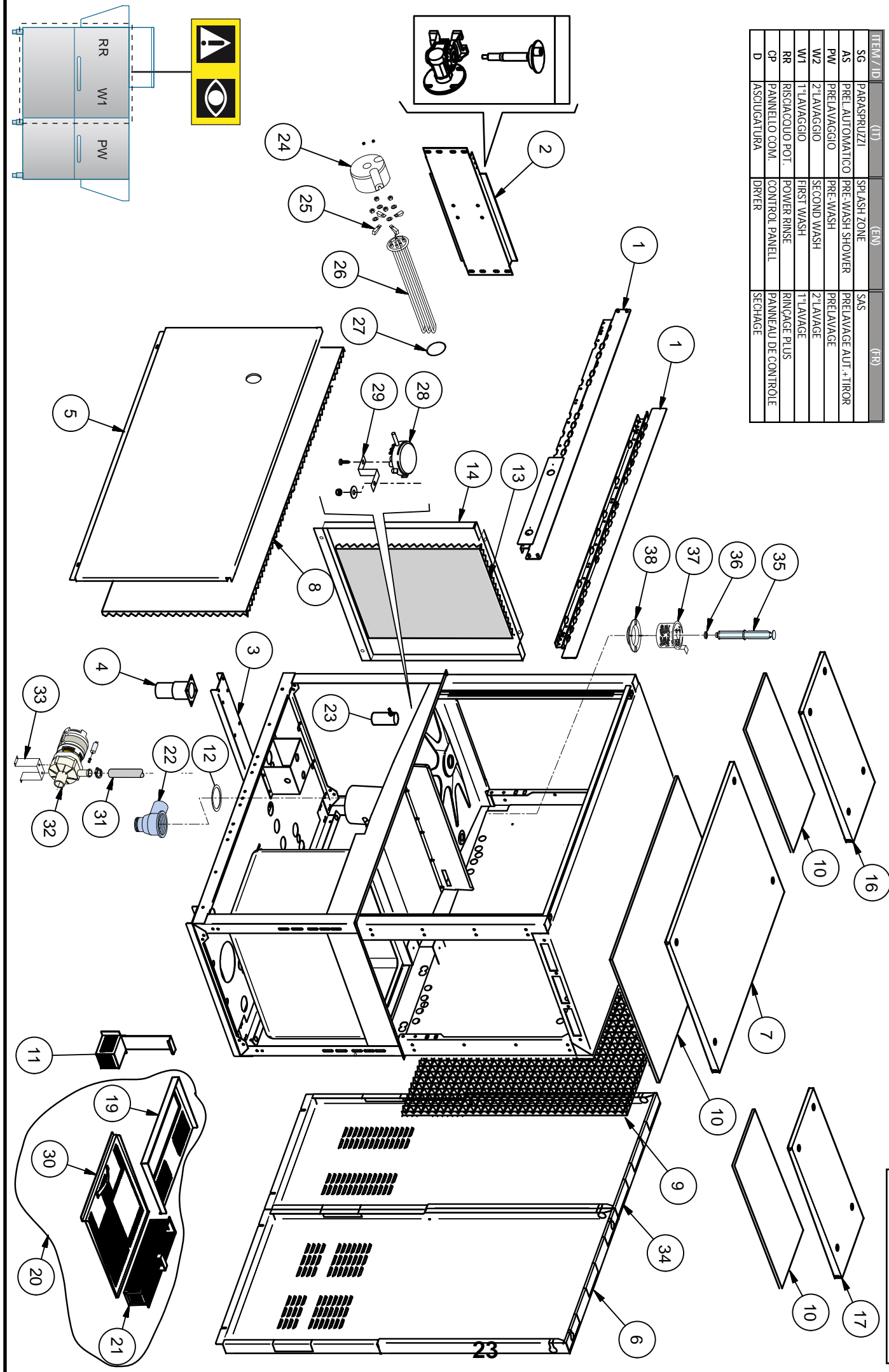
DWG-XXX  
Rev.00 - 05/2017





ITEM / ID	CODICE / P-code	DESCRIPTION (EN)	Q.TA'/Q.TY
30	DW3070199	CURTAIN SUPPORT	1
56	DW3004052	CURTAIN ROD	1
57	DW3071072	CURTAIN	1
58	DW11185	INOX WASHER 8x16 DIN125	2
59	DW11815	SEEGER Ø8 INOX UNI 7435	2

ITEM / ID	(IT)	(EN)	(FR)
SG	PARASPRUZZI	SPLASH ZONE	SAS
AS	PREL. AUTOMATICO	PRE-WASH SHOWER	PRELAVAGE AUT. + TROR
PW	PRELAVAGGIO	PRE-WASH	PRELAVAGE
W2	2 <sup>o</sup> LAVAGGIO	SECOND WASH	2 <sup>e</sup> LAVAGE
W1	1 <sup>o</sup> LAVAGGIO	FIRST WASH	1 <sup>er</sup> LAVAGE
RR	RISCIACQUO POT.	POWER RINSE	RINÇAGE PLUS
CP	PANNELLO COM.	CONTROL PANEL	PANNEAU DE CONTRÔLE
D	ASCIUGATURA	DRYER	SECHAGE









ECONOMIZZATORE

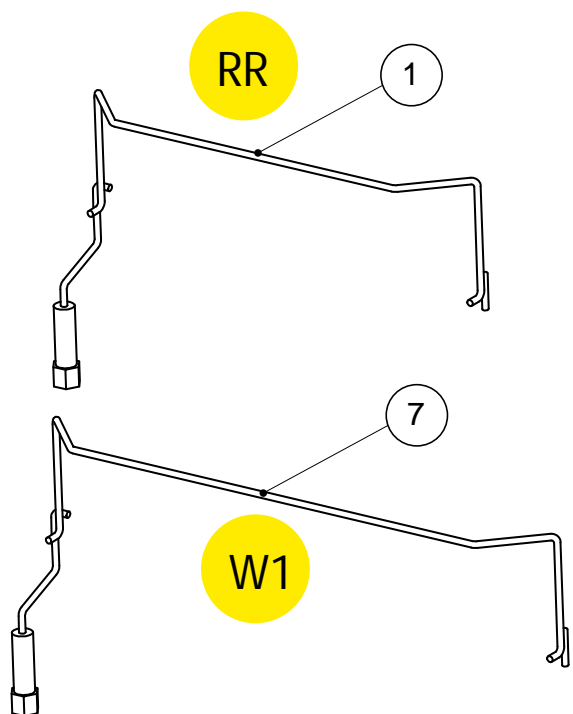
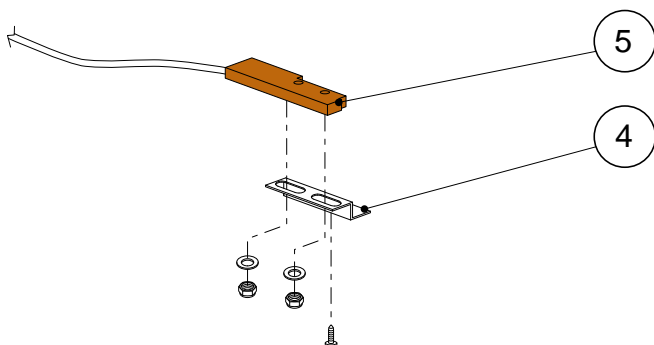
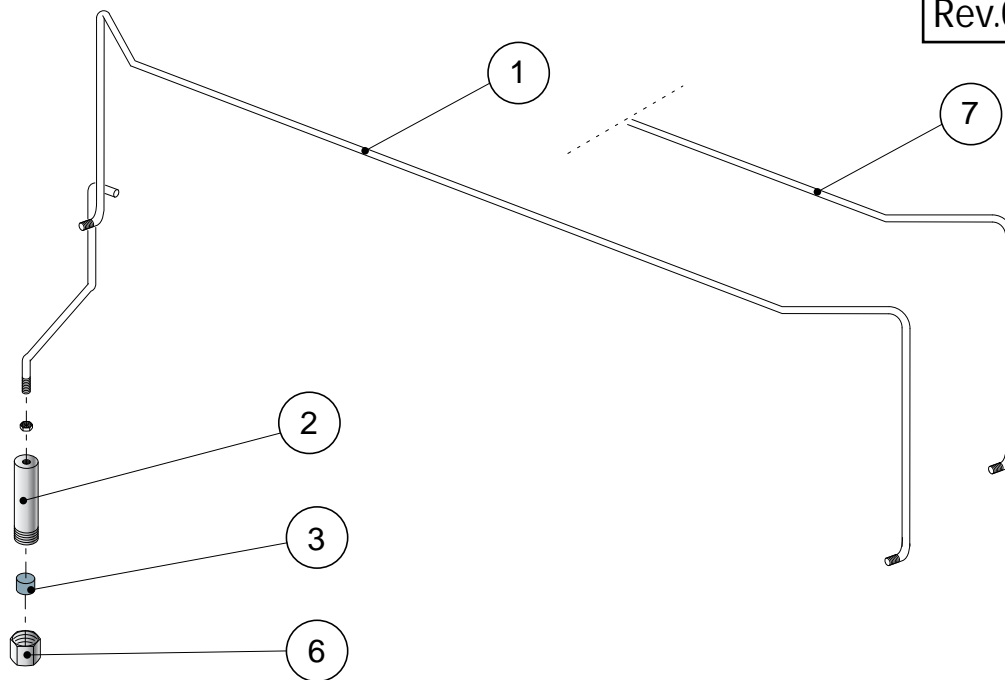


ECONOMIZER

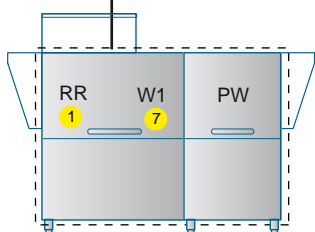


ECONOMISEUR

DWG-5xxx  
Rev.00 - 05/2017



ITEM / ID	(IT)	(EN)	(FR)
SG	PARASPRUZZI	SPLASH ZONE	SAS
AS	PREL AUTOMATICO	PRE-WASH SHOWER	PRELAVAGE AUT.+TIROR
PW	PRELAVAGGIO	PRE-WASH	PRELAVAGE
W2	2°LAVAGGIO	SECOND WASH	2°LAVAGE
W1	1°LAVAGGIO	FIRST WASH	1°LAVAGE
RR	RISCIACQUO POT.	POWER RINSE	RINÇAGE PLUS
CP	PANNELLO COM.	CONTROL PANELL	PANNEAU DE CONTRÔLE
D	ASCIUGATURA	DRYER	SECHAGE





ITEM / ID	CODICE / P-code	DESCRIPTION (EN)	Q.TA'/Q.TY
1	DW3071018	RIGHT RACK SWITCH ARM (mod.1300 W1)	1
1	DW3071019	LEFT RACK SWITCH ARM ( mod.1300 W1)	1
2	DW3003058	MAGNETE HOLDER	1
3	DW3003113	MAGNET	1
4	DW3009112	ECONOMIZER MICROSWITCH SUPPORT	1
5	DW3003112	ECONOMIZER MICROSWITCH	1
6	DW3004184	PLUG	1
7	DW3071016	RIGHT RACK SWITCH ARM (mod.1300 RR)	1
7	DW3071017	LEFT RACK SWITCH ARM ( mod.1300 RR)	1



MOTORIDUTTORE



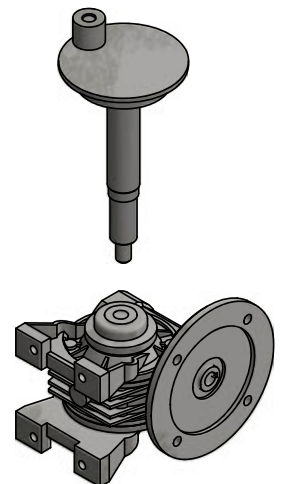
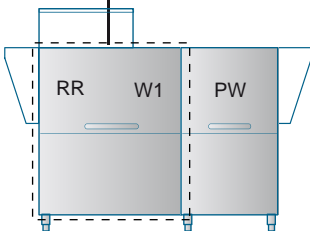
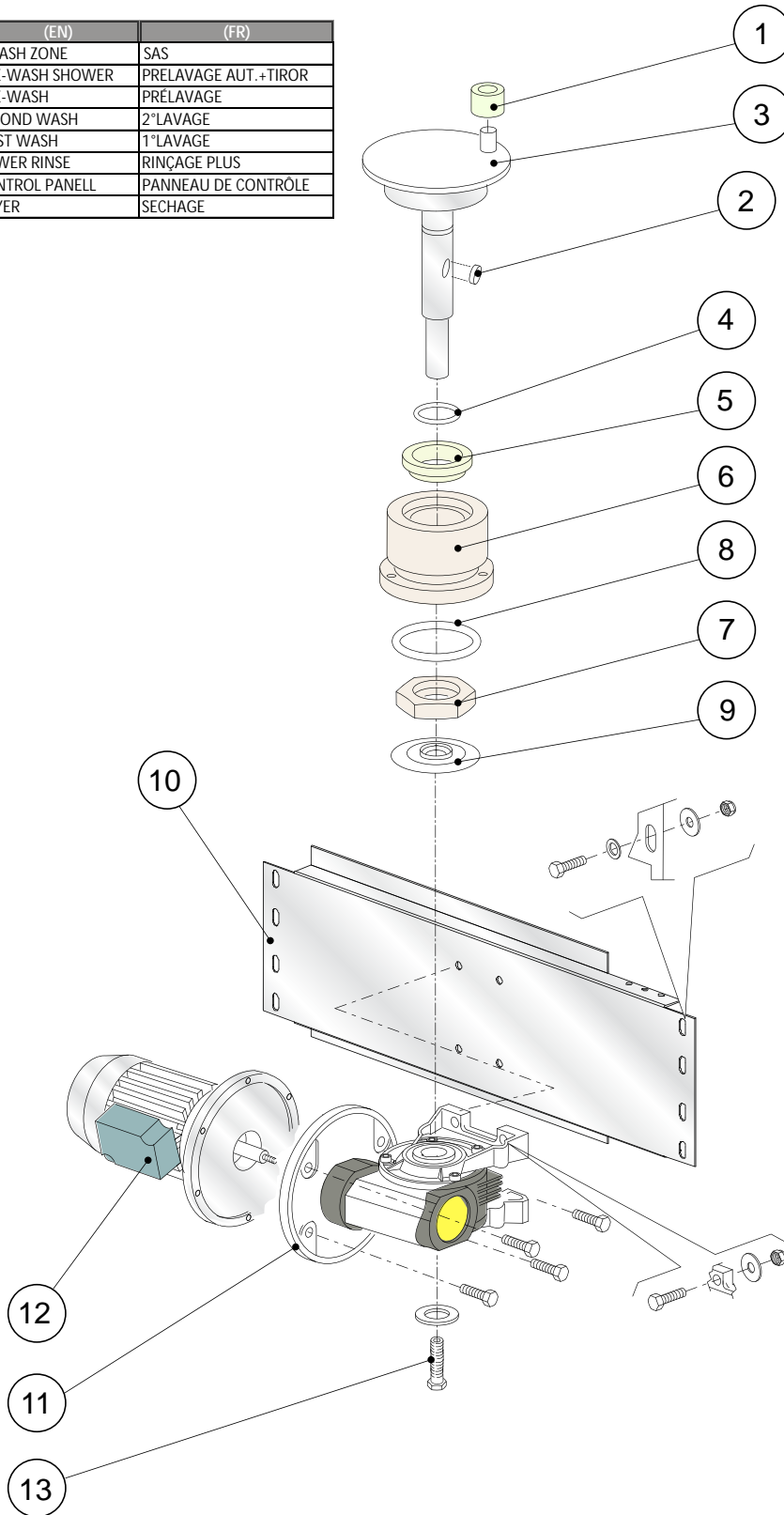
MOTORGEAR



MOTORÉDUCTEUR

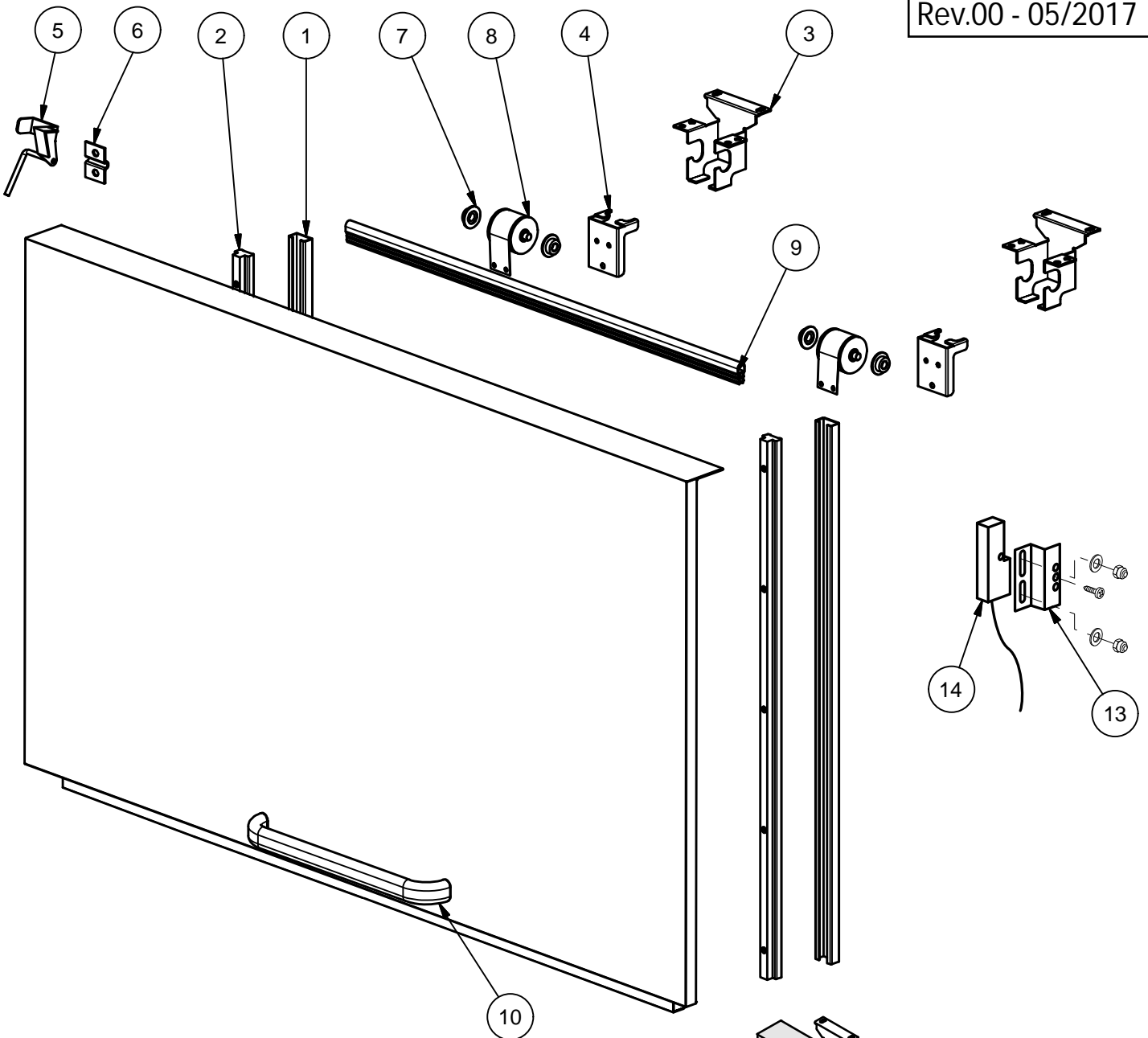
ITEM / ID	(IT)	(EN)	(FR)
SG	PARASPRUZZI	SPLASH ZONE	SAS
AS	PREL.AUTOMATICO	PRE-WASH SHOWER	PRELAVAGE AUT.+TIROR
PW	PRELAVAGGIO	PRE-WASH	PRÉLAVAGE
W2	2°LAVAGGIO	SECOND WASH	2°LAVAGE
W1	1°LAVAGGIO	FIRST WASH	1°LAVAGE
RR	RISCIACO. POT.	POWER RINSE	RINÇAGE PLUS
CP	PANNELLO COM.	CONTROL PANELL	PANNEAU DE CONTRÔLE
D	ASCIUGATURA	DRYER	SECHAGE

DWG-XXXX  
Rev.00 - 05/2017

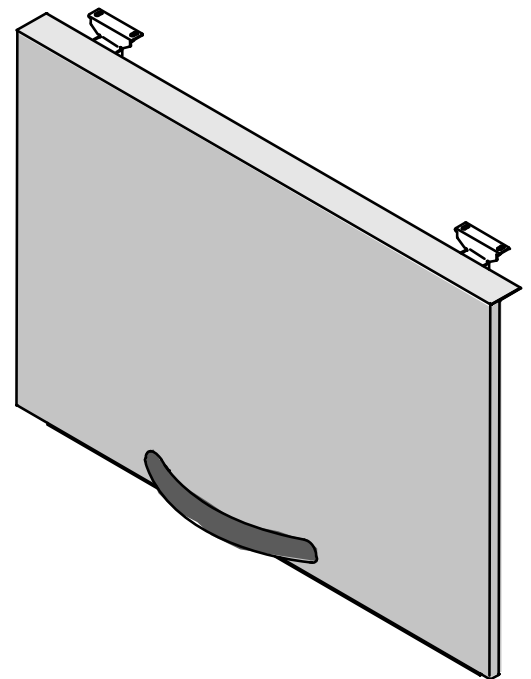
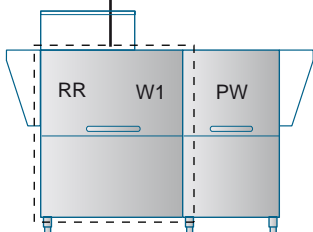




DWG-XXXX  
Rev.00 - 05/2017



ITEM / ID	(IT)	(EN)	(FR)
SG	PARASPRUZZI	SPLASH ZONE	SAS
AS	PREL.AUTOMATICO	PRE-WASH SHOWER	PRELAVAGE AUT.+TIROR
PW	PRELAVAGGIO	PRE-WASH	PRELAVAGE
W2	2°LAVAGGIO	SECOND WASH	2°LAVAGE
W1	1°LAVAGGIO	FIRST WASH	1°LAVAGE
RR	RISCIACQUO POT.	POWER RINSE	RINÇAGE PLUS
CP	PANNELLO COM.	CONTROL PANELL	PANNEAU DE CONTRÔLE
D	ASCIUGATURA	DRYER	SECHAGE

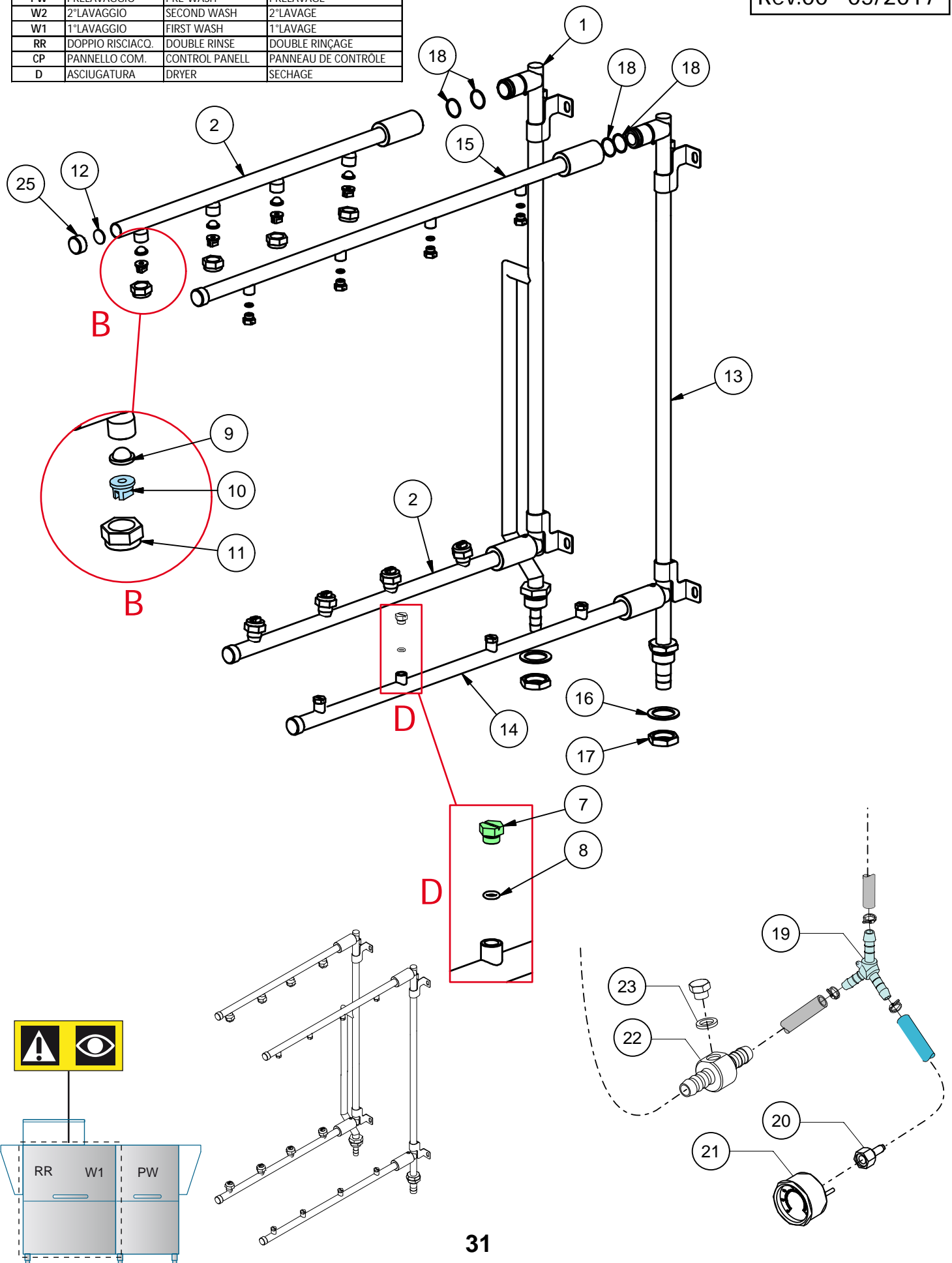




ITEM / ID	CODICE / P-code	DESCRIPTION (EN)	Q.TA'/Q.TY
1	DW3009033	SLIDEWAYS	2
2	DW3070028	DOOR ASSEMBLY 1300	1
3	DW3070197	SPRING SUPPORT L38	2
4	DW3070134	DOOR STOP	2
5	DW3000315	SAFETY DOOR HOOK	1
6	DW3000314	SAFETY DOOR BRACKET	1
7	DW3004012	SPRING HOLDER	4
8	DW3071120	DOOR SPRING MOD 1300	2
9	DW3071114	DOOR GASKET	1
10	DW22215	INOX HANDLE	1
11	DW22261	INOX HANDLE Ø 30	1
12	DW22260	INOX HANDLE 40x20	1
13	DW3009112	MICROSWITCH SUPPORT	1
14	DW3003112	DOOR MICROSWITCH	1

ITEM / ID	(IT)	(EN)	(FR)
SG	PARASPRUZZI	SPLASH ZONE	SAS
AS	PREL.AUTOMATICO	PRE-WASH SHOWER	PRÉLAVAGE AUT.+TIROR
PW	PRELAVAGGIO	PRE-WASH	PRÉLAVAGE
W2	2°LAVAGGIO	SECOND WASH	2°LAVAGE
W1	1°LAVAGGIO	FIRST WASH	1°LAVAGE
RR	DOPIO RISCIAQ.	DOUBLE RINSE	DOUBLE RINÇAGE
CP	PANNELLO COM.	CONTROL PANELL	PANNEAU DE CONTRÔLE
D	ASCIUGATURA	DRYER	SECHAGE

DWG-5xxxx  
Rev.00 - 05/2017



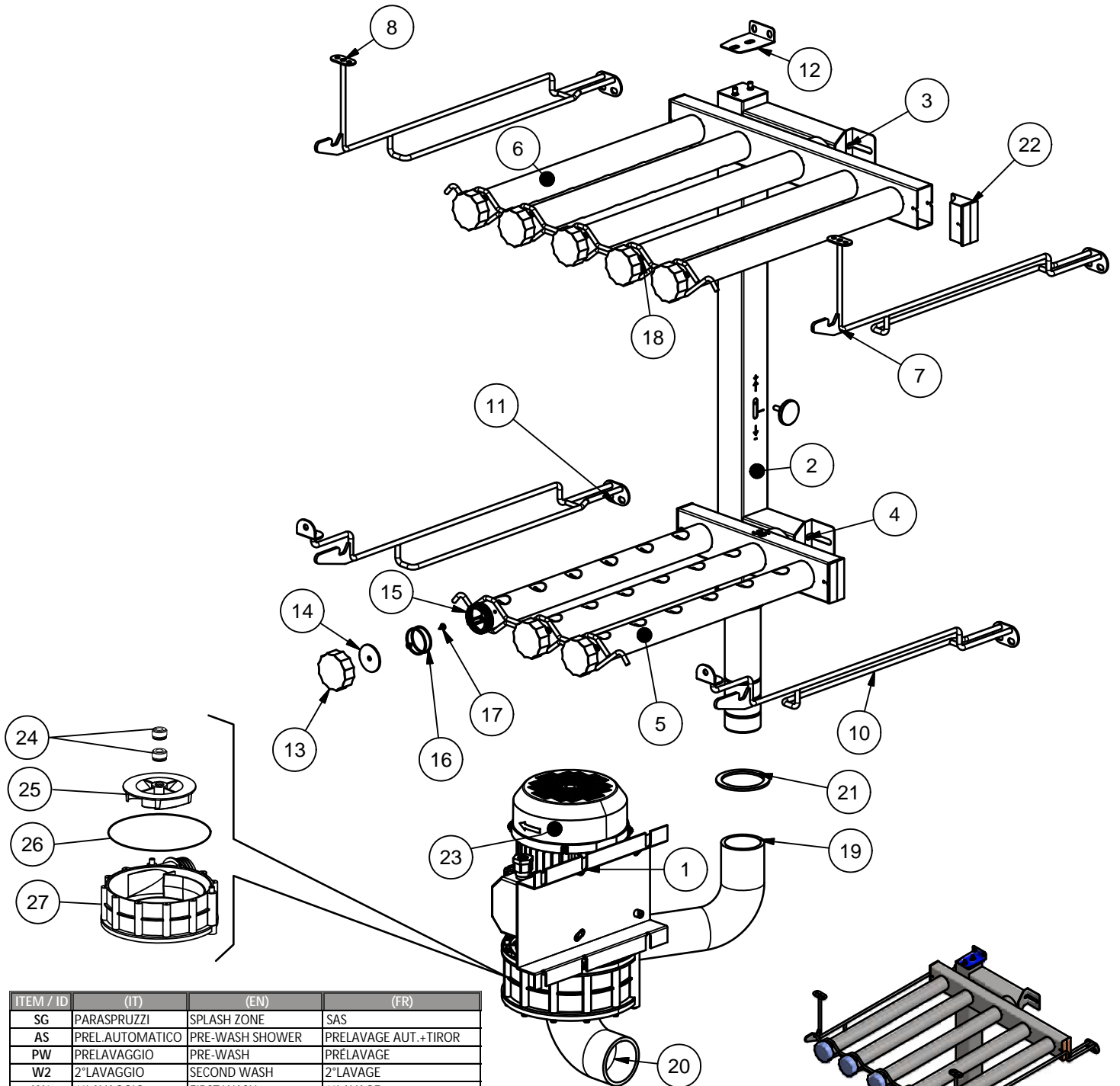


ITEM / ID	CODICE / P-code	DESCRIPTION (EN)	Q.TA'/Q.TY
1	DW3071058	RINSE RAMP ASSEMBLY	1
2	DW3071059	RINSE ARM ASSEMBLY	2
7	DW3071263	PRE RINSE NOZZLE 1/8 G ( 120° INOX )	8
8	DW13002	O-RING R6 NBR	8
9	DW2200117	FILTER	8
10	DW3071262	S/S RINSE NOZZLE ( 110° INOX )	8
11	DW2200116	S/S NUT 3/8 F	8
12	DW2002051	EPDM RINSE PLUG GASKET D.17,5X1,5	4
13	DW3071057	PRE RINSE RAMP ASSEMBLY	1
14	DW3071060	LOWER PRE RINSE ARM ASSEMBLY	1
15	DW3071060	UPPER PRE RINSE ARM ASSEMBLY	1
16	DW13326	GASKET D.38X27X2	2
17	DW2200103	BRASS NUT 3/4 ES.32X8	2
18	DW13025	OR 2081 NBR GASKET	8
19	DW540104	3 WAY CONNECTION Ø 12-10-10	1
20	DW10798/B	M10x1 RUBBER HOLDER	1
21	DW10500008	MANOMETER	1
22	DW3003906	"T" CONNECTION	1
23	DW13309	Ø 10x14x1,5 GASKET	1
25	DW2002054	PLUG M18X1 D21X9	4

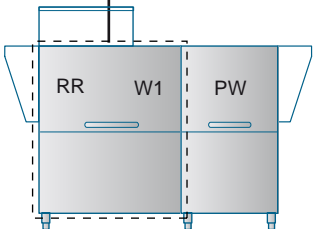




DWG-5xxx  
Rev.00 - 05/2017



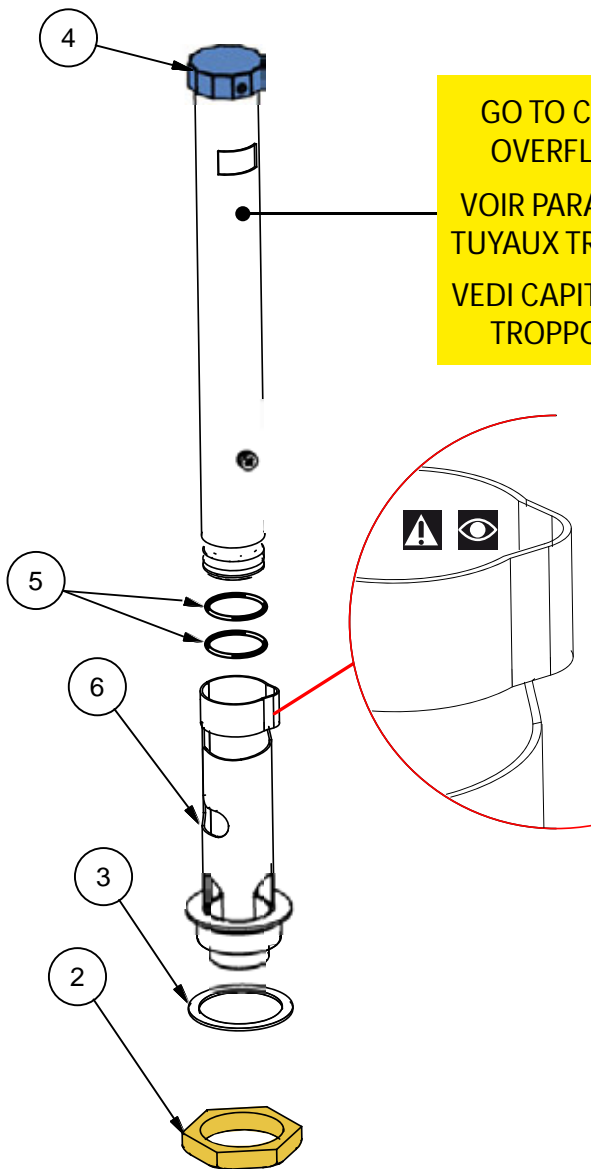
ITEM / ID	(IT)	(EN)	(FR)
SG	PARASPRUZZI	SPLASH ZONE	SAS
AS	PREL.AUTOMATICO	PRE-WASH SHOWER	PRELAVAGE AUT.+TIROR
PW	PRELAVAGGIO	PRE-WASH	PRELAVAGE
W2	2°LAVAGGIO	SECOND WASH	2°LAVAGE
W1	1°LAVAGGIO	FIRST WASH	1°LAVAGE
RR	RISCIACQUO POT.	POWER RINSE	RINÇAGE PLUS
CP	PANNELLO COM.	CONTROL PANELL	PANNEAU DE CONTRÔLE
D	ASCIUGATURA	DRYER	SECHAGE





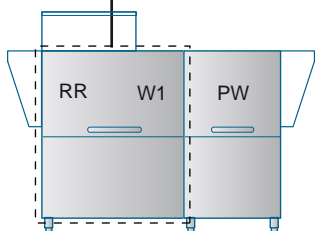
ITEM / ID	CODICE / P-code	DESCRIPTION (EN)	Q.TA'/Q.TY
1	DW3009148	WASH PUMP SUPPORT	1
2	DW3071050	WASH RAMP	1
3	DW3071047	RACK SIDE CONNECTION 5 (5+3)	1
4	DW3071043	RACK SIDE CONNECTION 3 (3+2 / 5+3)	1
5	DW3071035	RIGHT RACK 3 (5+3)	1
5	DW3071036	LEFT RACK 3 (5+3)	1
6	DW3071037	RACK 5 (5+3)	1
7	DW3071024	RIGHT UPPER GUIDE	1
8	DW3071025	LEFT UPPER GUIDE	1
22	DW3071027	RECTANGULAR PLUG FOR RAMP	4
10	DW3071022	RIGHT LOWER GUIDE	1
11	DW3071023	LEFT LOWER GUIDE	1
12	DW3070247	RAMP FIXING BRACKET	1
13	DW80304	PLUG FOR GREY TERMINAL NOZZLE	1
14	DW80305	PLUG SEAL	1
15	DW3071026	RAMP PLUG FERRULE	1
16	DW3071117	OR GASKET 2137	2
17	DW11004	4x10 SPAX SCREW	4
18	ND	PLUG + FERRULE	7
19	DW3004025	L SHAPE COUPLING 50/50	1
20	DW3002020	EPDM ELBOW COUPLING	1
21	DW10200173/A	75X58X3 GASKET	1
22	DW3071027	RECTANGULAR PLUG FOR RAMP	4
23	DW88106/U	PUMP HP 2.7 208/240V 3 60Hz ("UL")	1
24	DW15080/F	ROTATING SEALS	2
25	DW88232	HP 2,7 PUMP ROTOR ("UL")	1
26	DW88231	O-RING 1225 ("UL")	1
27	DW88230	SCROLL ("UL")	1

DWG-XXXX  
Rev.00 - 05/2017



GO TO CHAPTER  
 OVERFLOEPIPE  
 VOIR PARAGRAPH  
 TUYAUX TROP-PLEIN  
 VEDI CAPITOLO TUBI  
 TROPPO PIENO

ITEM / ID	(IT)	(EN)	(FR)
SG	PARASPRUZZI	SPLASH ZONE	SAS
AS	PREL.AUTOMATICO	PRE-WASH SHOWER	PRELAVAGE AUT.+TIROR
PW	PRELAVAGGIO	PRE-WASH	PRELAVAGE
W2	2°LAVAGGIO	SECOND WASH	2°LAVAGE
W1	1°LAVAGGIO	FIRST WASH	1°LAVAGE
RR	RISCIACQUO POT.	POWER RINSE	RINÇAGE PLUS
CP	PANNELLO COM.	CONTROL PANELL	PANNEAU DE CONTRÔLE
D	ASCIUGATURA	DRYER	SECHAGE



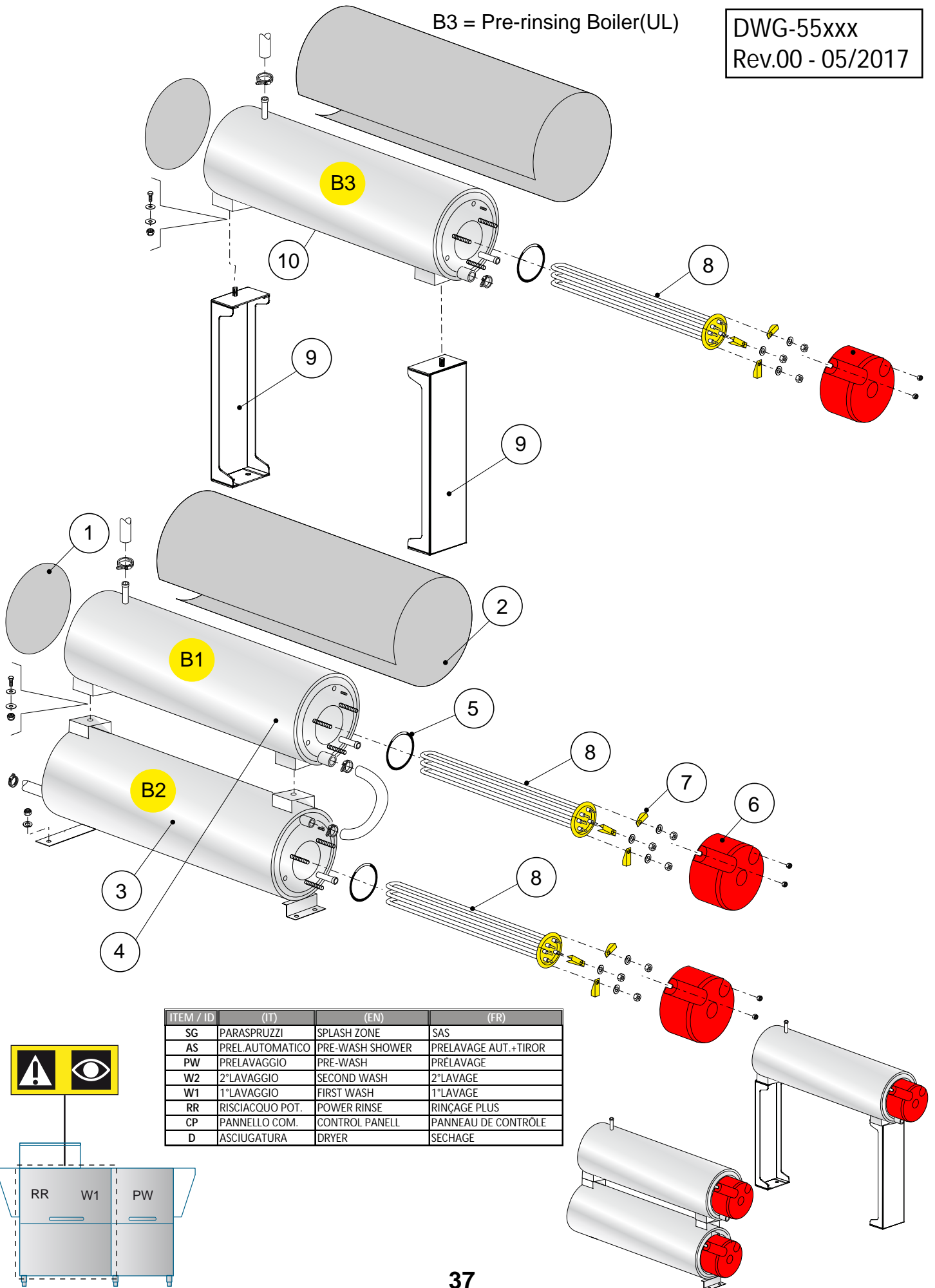


ITEM / ID	CODICE / P-code	DESCRIPTION (EN)	O.TA/O.TY
2	DW10600012	FLAT NUT	1
3	DW10200173	O-RING 75X58X2	1
4	DW88105	ARM PLUG	1
5	DW13019	O-RING GASKET 140 NBR	2
6	DW3071084	OVERFLOW DIVICE SUPPORT	1



B3 = Pre-rinsing Boiler(UL)

DWG-55xxx  
Rev.00 - 05/2017

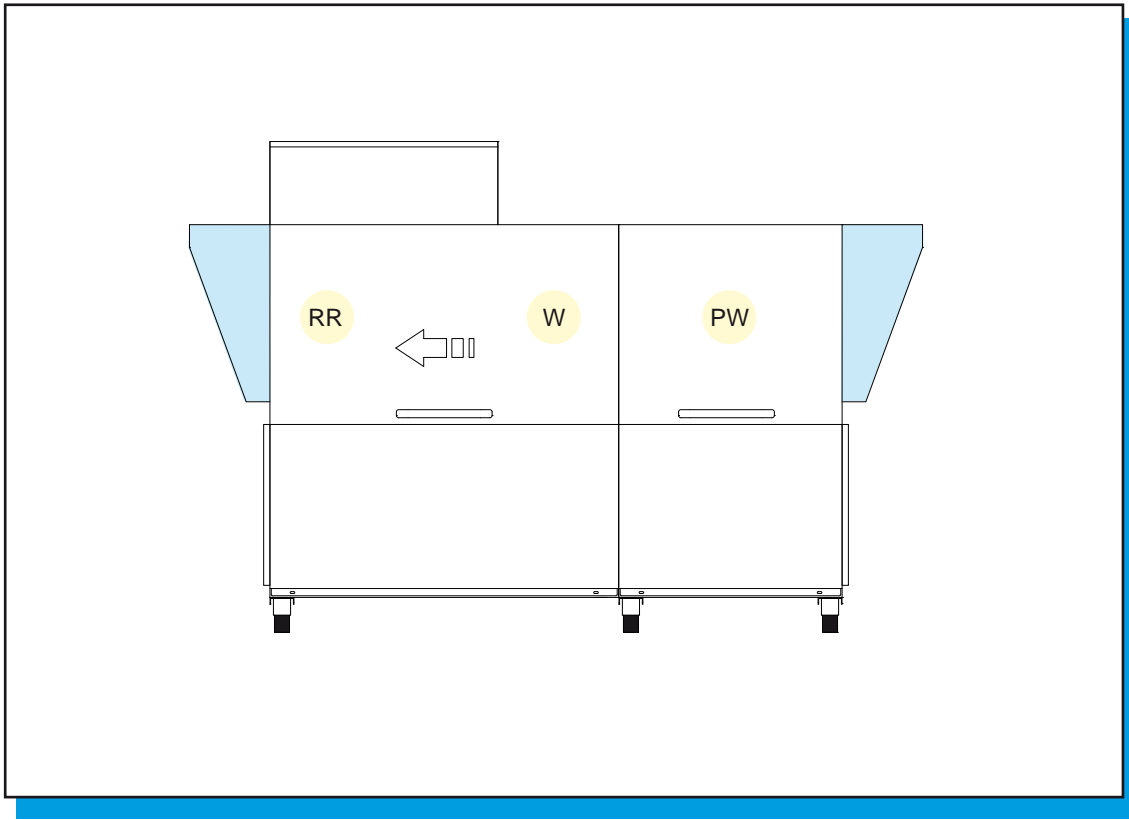


ITEM / ID	(IT)	(EN)	(FR)
SG	PARASPRUZZI	SPLASH ZONE	SAS
AS	PREL.AUTOMATICO	PRE-WASH SHOWER	PRELAVAGE AUT.+TIROR
PW	PRELAVAGGIO	PRE-WASH	PRÉLAVAGE
W2	2°LAVAGGIO	SECOND WASH	2°LAVAGE
W1	1°LAVAGGIO	FIRST WASH	1°LAVAGE
RR	RISCIACQUO POT.	POWER RINSE	RINÇAGE PLUS
CP	PANNELLO COM.	CONTROL PANELL	PANNEAU DE CONTRÔLE
D	ASCIUGATURA	DRYER	SECHAGE



ITEM / ID	CODICE / P-code	DESCRIPTION (EN)	Q.TA'/Q.TY
1	DW75205	BOTTOM BOILER INSULATING	2
2	DW30002030	BOILER INSULATING	2
3	DW3007012	INFERIOR BOILER	1
4	DW3007013	UPPER BOILER	1
5	DW13015	O-RING 160 (6225)	3
6	DW75311	HEATING ELEMENT COVER	3
7	DW16045	HEATING ELEMENT SUPPORT Ø6.3	9
8	DW15197	HEATING ELEMENT 9 kW 230V ("UL")	3
9	DW3070366	BOILER SUPPORT	2
10	DW3071267	UPPER PRE-RINSING BOILER ("UL")	1





**SPLASH ZONE**





PARASPRUZZI L=300mm



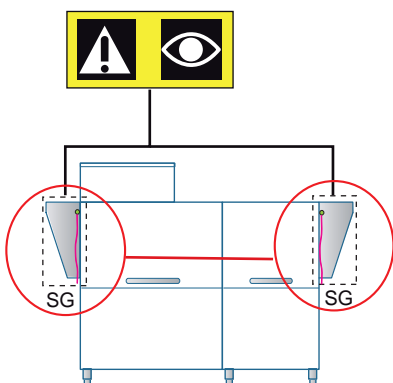
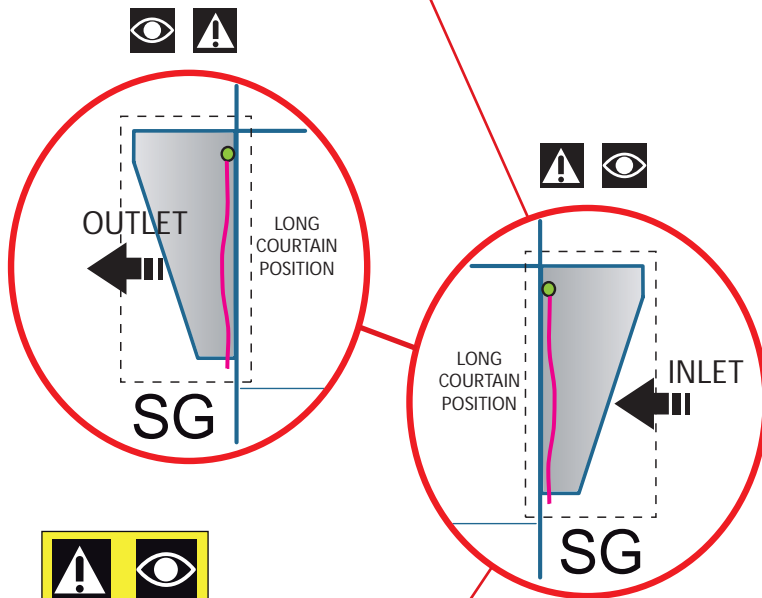
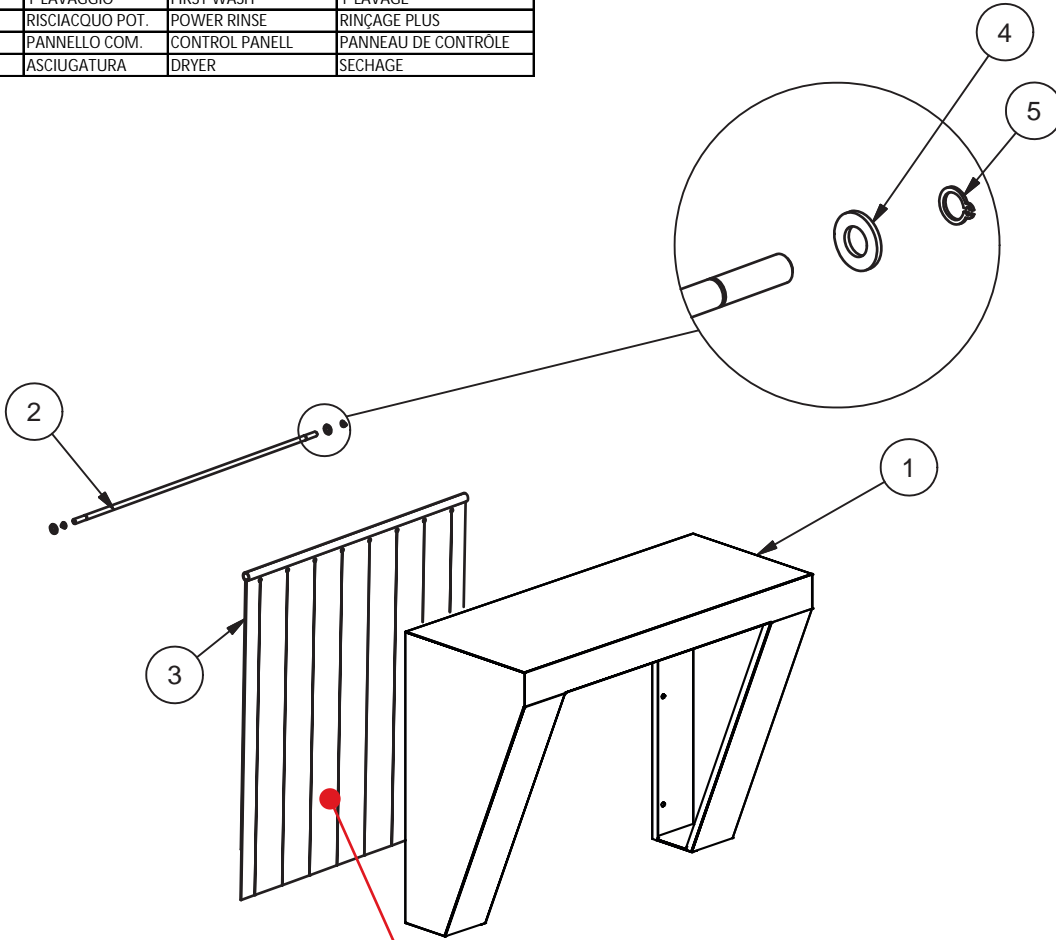
SPLASH ZONE L=300mm



GARDE-BOUE L=300mm

ITEM / ID	(IT)	(EN)	(FR)
SG	PARASPRUZZI	SPLASH ZONE	SAS
AS	PREL.AUTOMATICO	PRE-WASH SHOWER	PRELAVAGE AUT.+TIROR
PW	PRELAVAGGIO	PRE-WASH	PRELAVAGE
W2	2°LAVAGGIO	SECOND WASH	2°LAVAGE
W1	1°LAVAGGIO	FIRST WASH	1°LAVAGE
RR	RISCIACQUO POT.	POWER RINSE	RINÇAGE PLUS
CP	PANNELLO COM.	CONTROL PANELL	PANNEAU DE CONTRÔLE
D	ASCIUGATURA	DRYER	SECHAGE

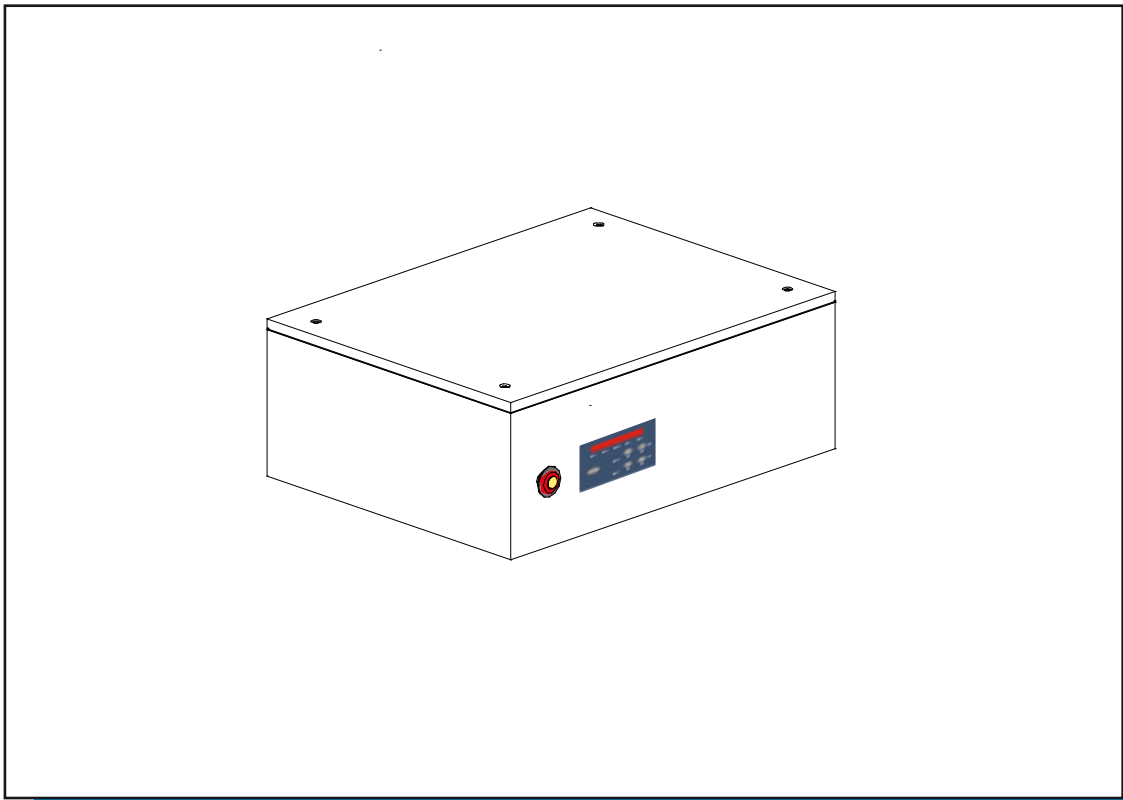
DWG-XXXX  
Rev.00 - 05/2017





ITEM / ID	CODICE / P-code	DESCRIPTION (EN)	Q.TA'/Q.TY
1	DW3073362	SPLASH ZONE	1
2	DW3071069	CURTAIN ROD	1
3	DW3071070	CURTAIN	1
4	DW11185	INOX WASHER 8X16 DIN125	2
5	DW11815	INOX SEEGER Ø8 UNI7435	2



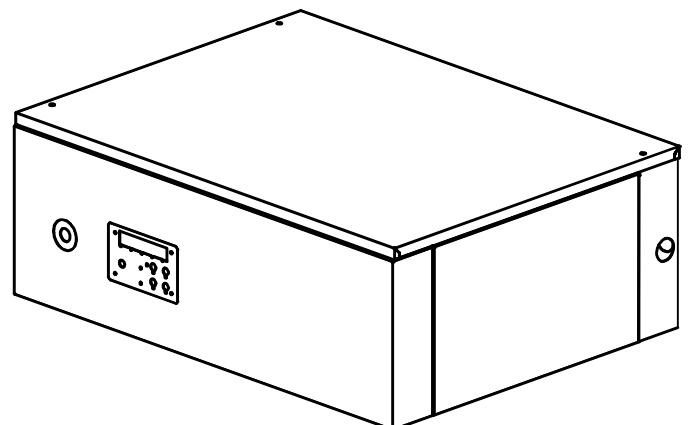
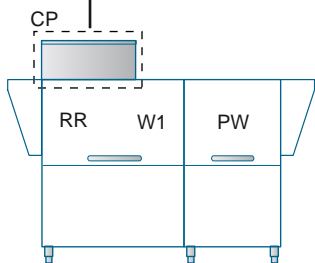
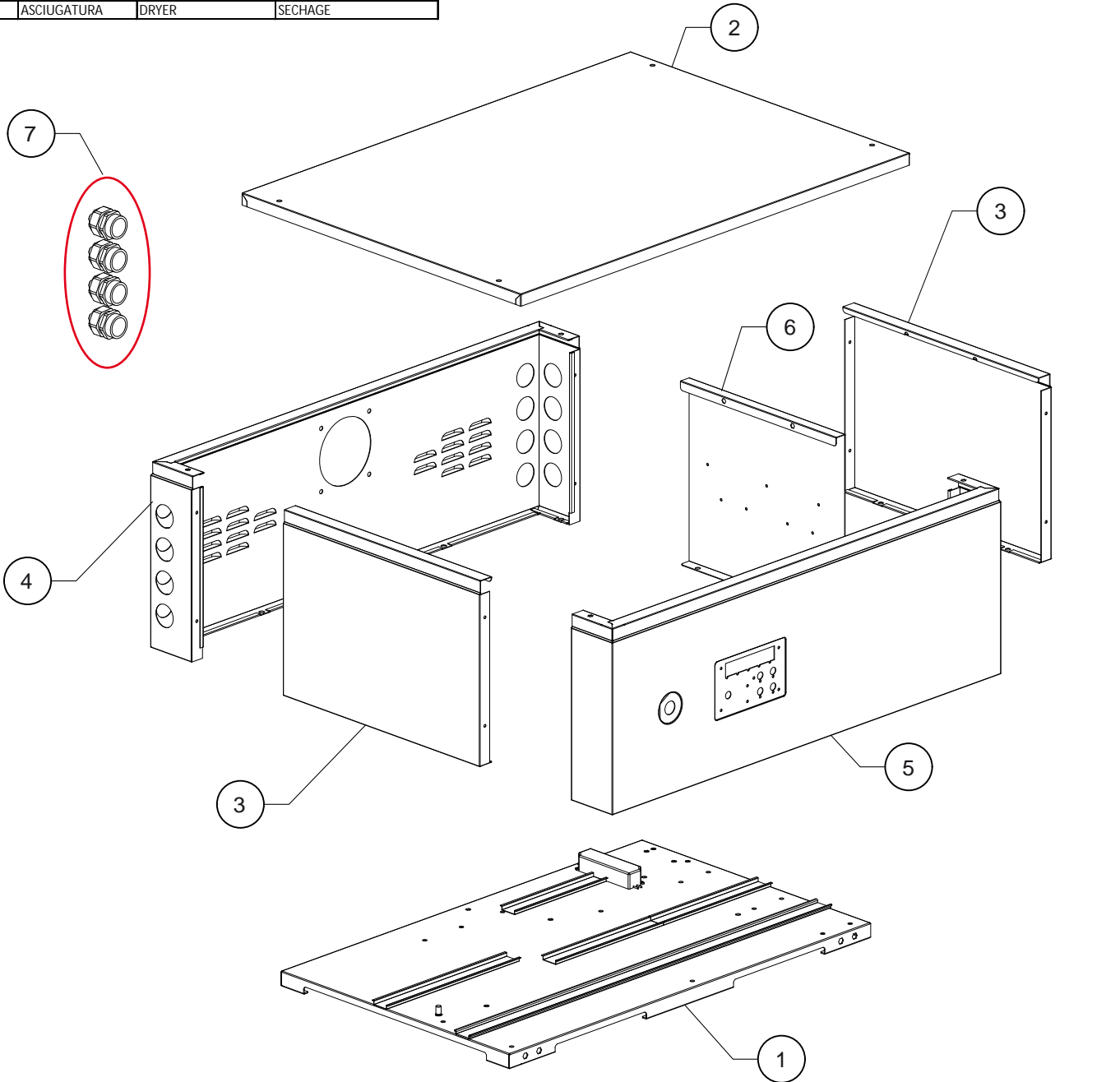


**CONTROL PANEL**



ITEM / ID	(IT)	(EN)	(FR)
SG	PARASPRUZZI	SPLASH ZONE	SAS
AS	PREL.AUTOMATICO	PRE-WASH SHOWER	PRELAVAGE AUT.+TIROR
PW	PRELAVAGGIO	PRE-WASH	PRELAVAGE
W2	2°LAVAGGIO	SECOND WASH	2°LAVAGE
W1	1°LAVAGGIO	FIRST WASH	1°LAVAGE
RR	RISCIACQUO POT.	POWER RINSE	RINÇAGE PLUS
CP	PANNELLO COM.	CONTROL PANELL	PANNEAU DE CONTRÔLE
D	ASCIUGATURA	DRYER	SECHAGE

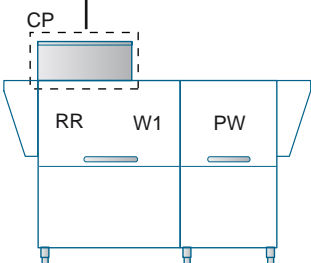
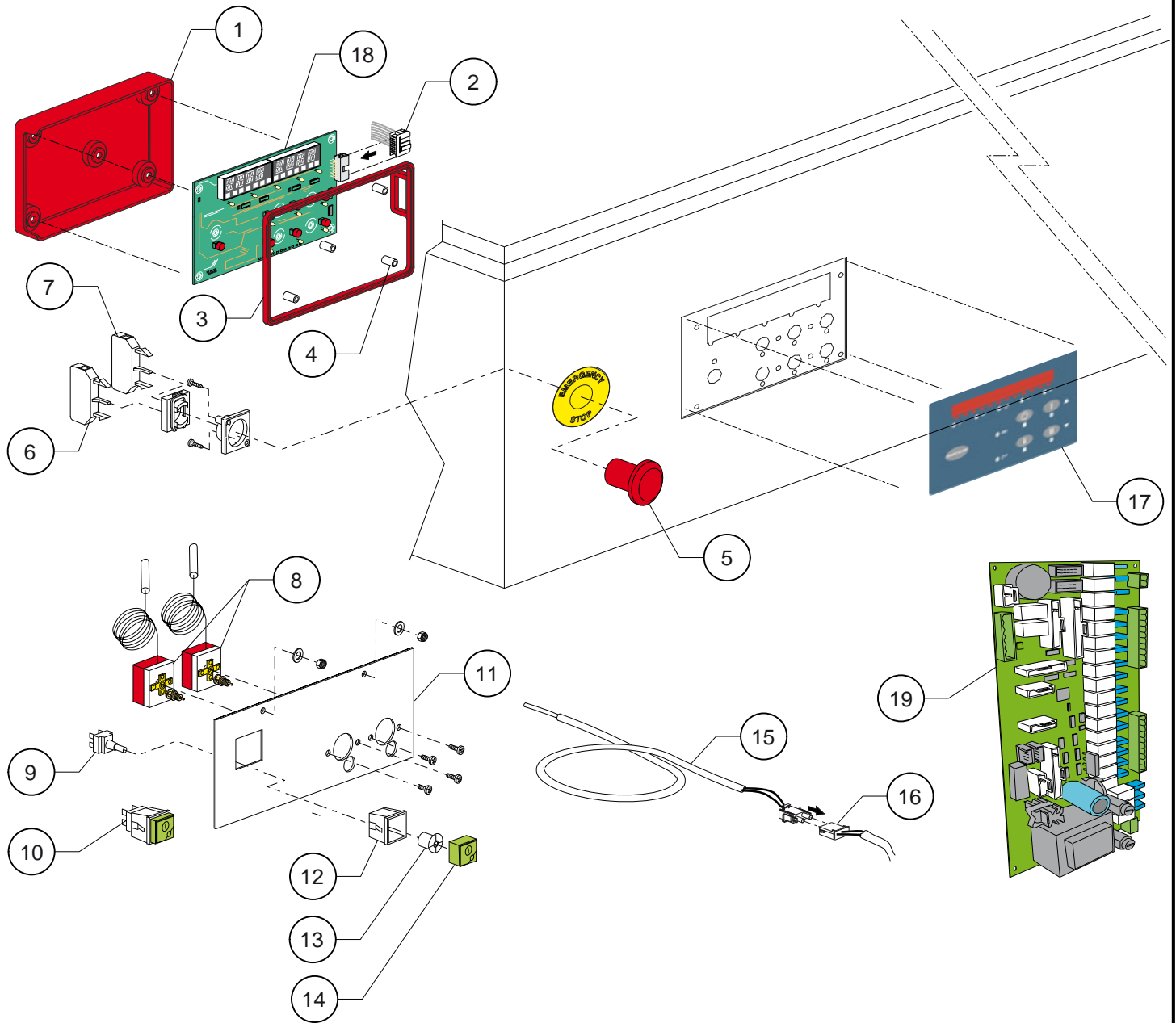
01\_xxxx  
Rev.00 - 05/2017





ITEM / ID	(IT)	(EN)	(FR)
SG	PARASPRUZZI	SPLASH ZONE	SAS
AS	PREL.AUTOMATICO	PRE-WASH SHOWER	PRELAVAGE AUT.+TIROR
PW	PRELAVAGGIO	PRE-WASH	PRELAVAGE
W2	2°LAVAGGIO	SECOND WASH	2°LAVAGE
W1	1°LAVAGGIO	FIRST WASH	1°LAVAGE
RR	RISCIACQUO POT.	POWER RINSE	RINÇAGE PLUS
CP	PANNELLO COM.	CONTROL PANELL	PANNEAU DE CONTRÔLE
D	ASCIUGATURA	DRYER	SECHAGE

01\_XXXX  
Rev.00 - 05/2017







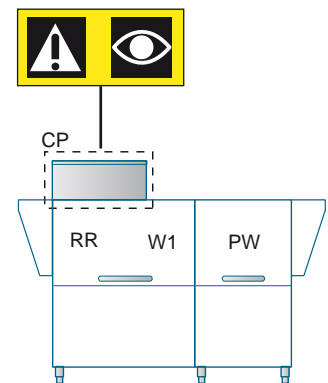
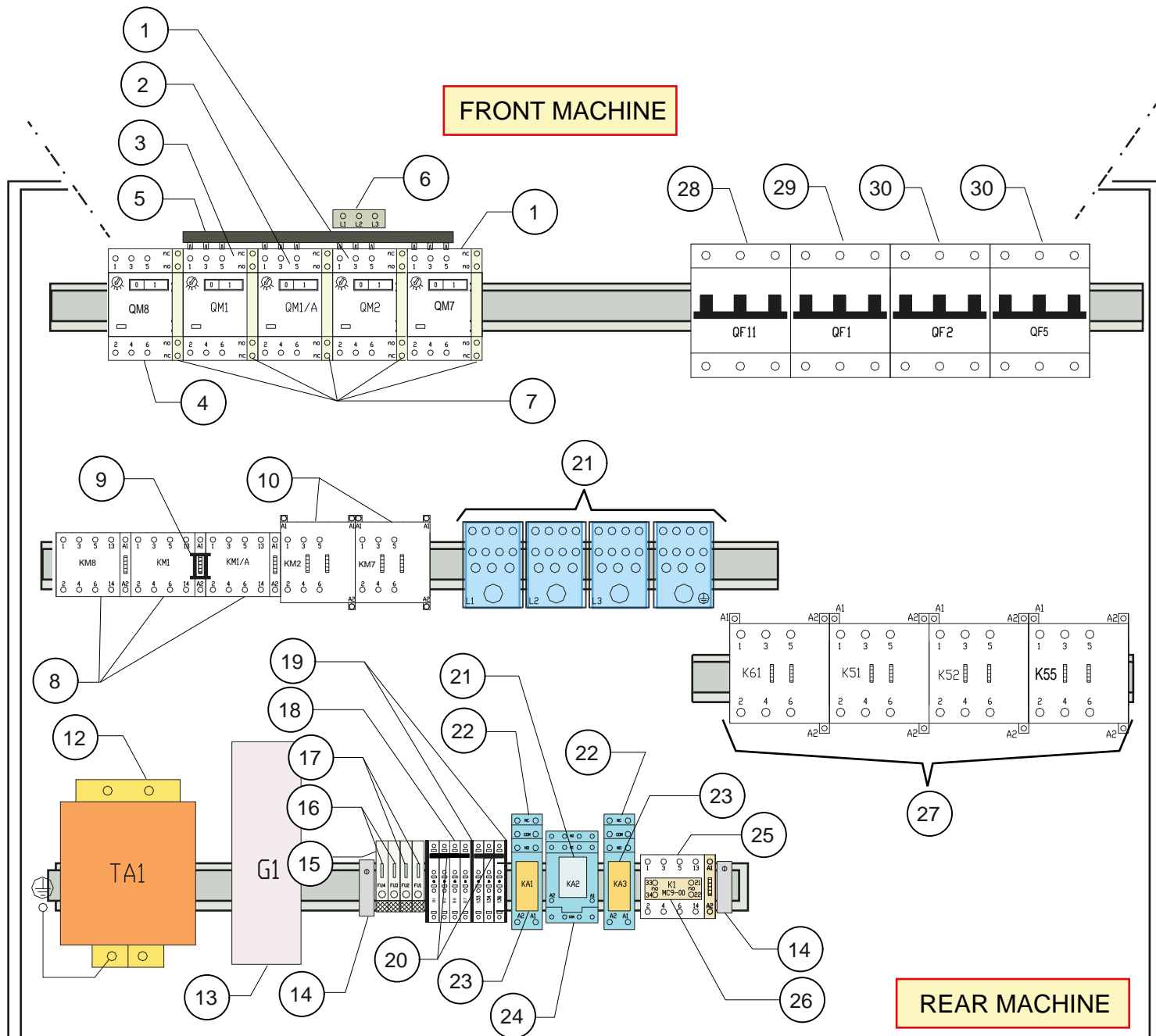


ITEM / ID	(IT)	(EN)	(FR)
SG	PARASPRUZZI	SPLASH ZONE	SAS
AS	PREL. AUTOMATICO	PRE-WASH SHOWER	PRELAVAGE AUT.+TIROR
PW	PRELAVAGGIO	PRE-WASH	PRELAVAGE
W2	2° LAVAGGIO	SECOND WASH	2° LAVAGE
W1	1° LAVAGGIO	FIRST WASH	1° LAVAGE
RR	RISCIACQUO POT.	POWER RINSE	RINÇAGE PLUS
CP	PANNELLO COM.	CONTROL PANELL	PANNEAU DE CONTRÔLE
D	ASCIUGATURA	DRYER	SECHAGE

01\_XXXX  
Rev.00 - 05/2017

**FRONT MACHINE**

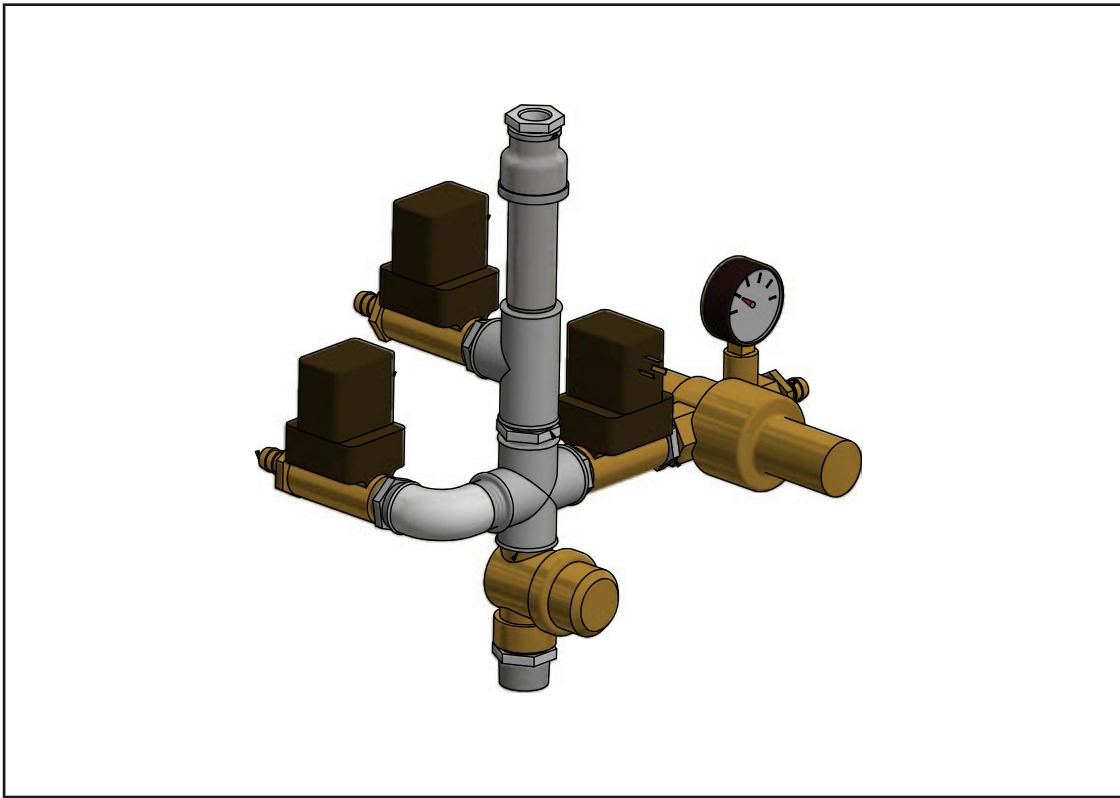
**REAR MACHINE**





ITEM / ID	CODICE / P-code	DESCRIZIONE (EN)	Q.TA'/Q.TY
1	DW2000395	MOTOR PROTECTOR 6,3 - 10A	---
2	DW2000389	MOTOR PROTECTOR 0,63 - 1A	---
3	DW2000390	MOTOR PROTECTOR 1 - 1,6A	---
4	DW2000393	MOTOR PROTECTOR 1,6 - 2,5A	---
5	DW3006100	4 POSITION ELECTRICAL CONTACTOR LMS25	---
6	DW3006087	CLAMP	---
7	DW3006080	AUXILIARY CONTACT LMS25	---
8	DW2000370	CONTACTOR MC9	---
9	DW3006153	MECHANICAL LOCK SAFETY	---
10	DW02000385	CONTACTOR BF20	---
11	DW3071248	UNIPOLAR DIVIDER 250 A ("UL")	---
12	DW3071246	TRANSFORMER ("UL") 200VA 0-230V 24V	---
13	DW3072237	POWER SUPPLY 20W 12V ("UL") NEC2	---
14	DW3006093	DIN GUIDE BACKSTOP	---
15	DW3006147	CLAMP SUPPORT FUSE 5x20 ( 5x25)	---
16	DW3071253	FUSE 5x20 10A ("UL")	---
17	DW3071254	FUSE 5x20 2A ("UL")	---
18	DW3071122	2,5mm <sup>2</sup> (ZDK 2.5) DOUBLE TERMINAL CLAMP	---
19	DW3071123	CLAMP COVERING PLATE (ZAP/TW)	---
20	DW3071124	CONNECTING BRIDGE FOR TERMINAL BOARD	---
21	DW3071140	RELAY 4C/24V 10A	---
22	DW3006079	BASE FOR RELAY 2C/DEV 24V	---
23	DW3006078	RELAY 2C/DEV 24V	---
24	DW3071141	BASE FOR RELAY 4C/24V 10A	---
25	DW2000370	CONTACTOR MC9	---
26	DW3071252	AUXILIARY CONTACT 2NA	---
27	DW10300064	CONTACTOR BF32	---
28	DW3071249	TRIPOLAR AUTOMATIC FUSE 50A ("UL")	---
29	DW3071251	AUTOMATIC FUSE 25A ("UL")	---
30	DW3071250	AUTOMATIC FUSE 32A ("UL")	---

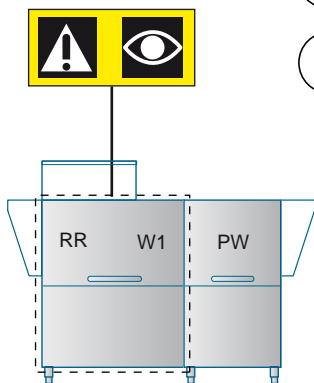
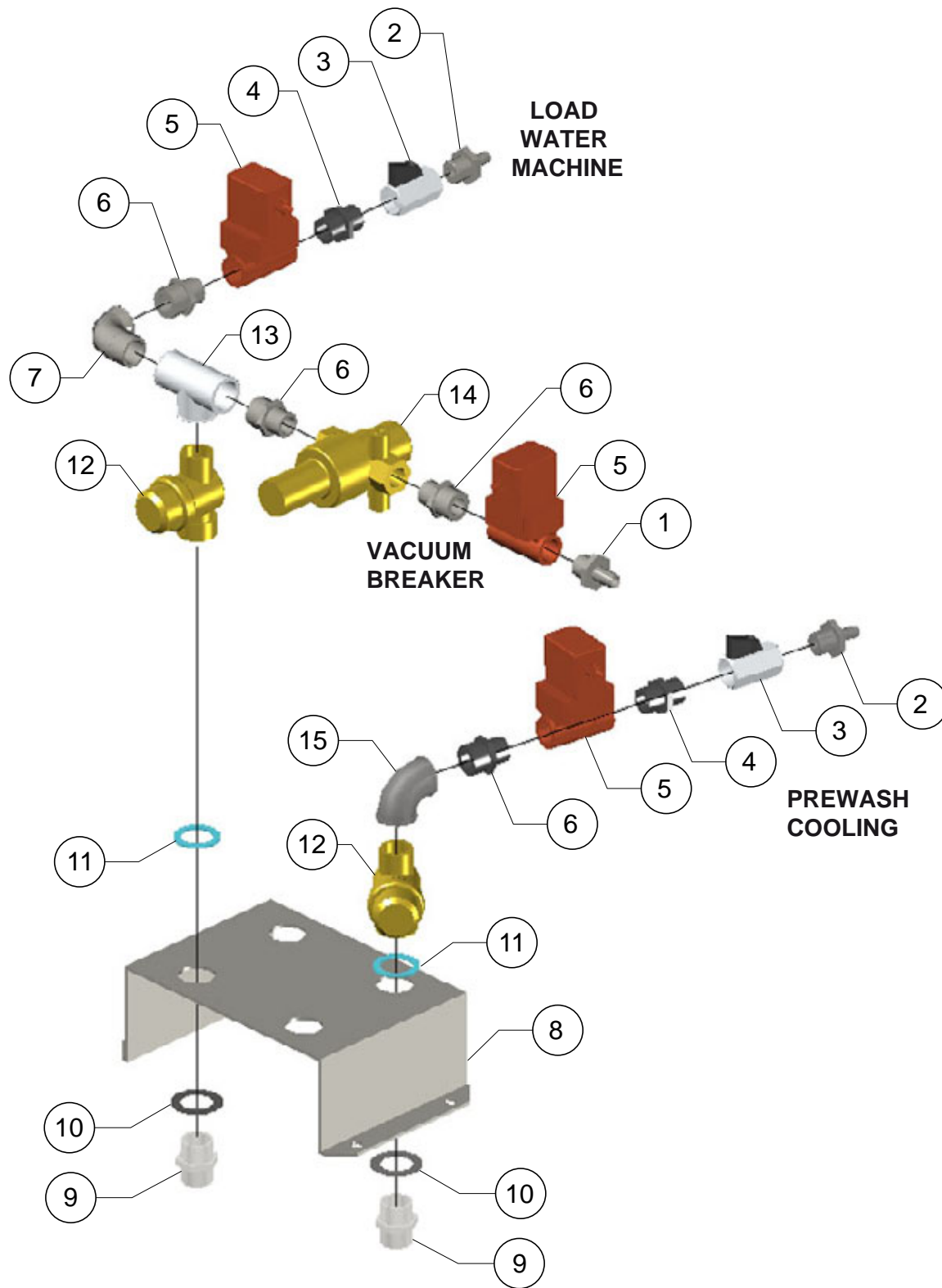




## SOLENOID VALVES ASSEMBLY

ITEM / ID	(IT)	(EN)	(FR)
SG	PARASPRUZZI	SPLASH ZONE	SAS
AS	PREL.AUTOMATICO	PRE-WASH SHOWER	PRELAVAGE AUT.+TIROR
PW	PRELAVAGGIO	PRE-WASH	PRELAVAGE
W2	2°LAVAGGIO	SECOND WASH	2°LAVAGE
W1	1°LAVAGGIO	FIRST WASH	1°LAVAGE
RR	RISCIACQUO POT.	POWER RINSE	RINÇAGE PLUS
CP	PANNELLO COM.	CONTROL PANELL	PANNEAU DE CONTRÔLE
D	ASCIUGATURA	DRYER	SECHAGE

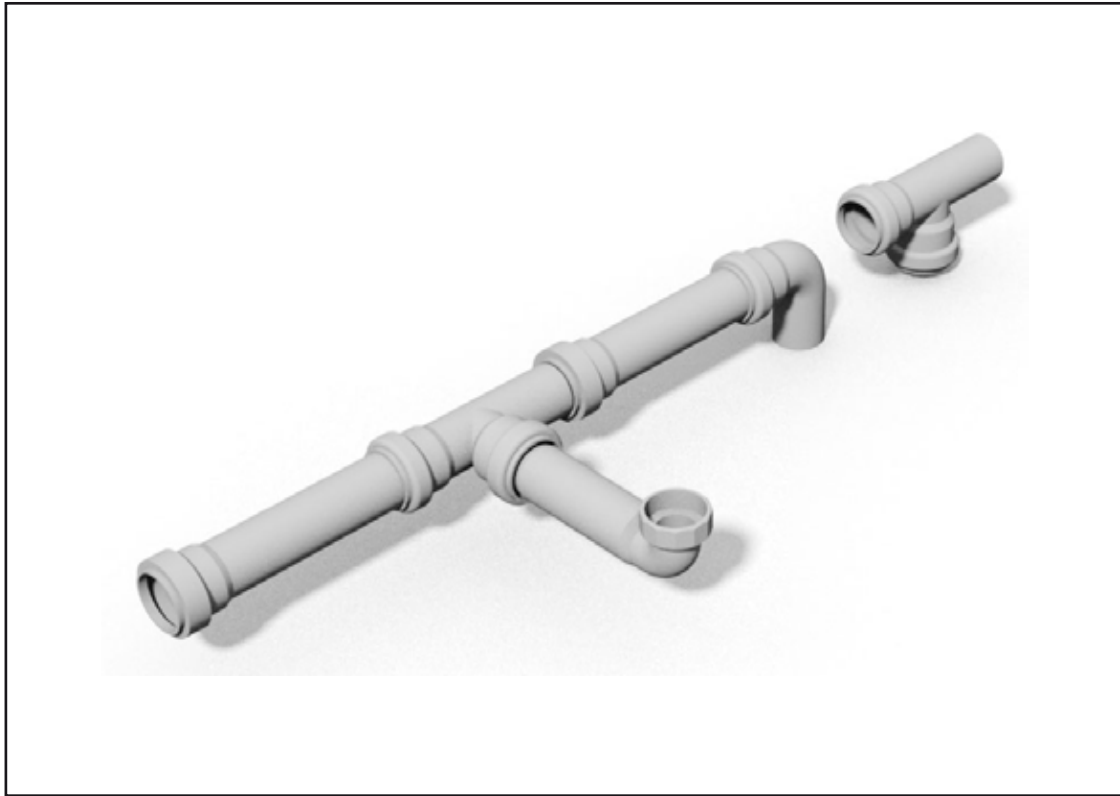
DWG-XXXX  
Rev.00 - 05/2017





ITEM / ID	CODICE / P-code	DESCRIPTION (EN)	Q.TA'/Q.TY
1	DW12023	1/2" HOSE HOLDER Ø 12/20	1
2	DW12039	M 1/2" HOSE HOLDER Ø 10	2
3	DW3002140	TAP	2
4	DW3071196	INOX PIPE FITTING 1/2" M/M	2
5	DW3071258	SOLENOID VALVE 1/2" 24V 60Hz ("UL")	3
6	DW3071205	INOX PIPE FITTING 3/4"M - 1/2" M	3
7	DW3071193	INOX PIPE FITTING 3/4"M/F	1
8	DW3070346	SOLENOID VALVE SUPPORT	1
9	DW3071197	INOX PIPE FITTING 3/4"M/M	2
10	DW3009673	RONDELLA Ø42	2
11	DW13326	GASKET Ø 38x27x2	2
12	DW2000121	FILTER	2
13	DW3071217	INOX PIPE FITTING 3/4"F-F-F	1
14	DW2000364	PRESSURE REDUCTION VALVE	1
15	DW3071189	INOX PIPE FITTING 3/4" F/F	1



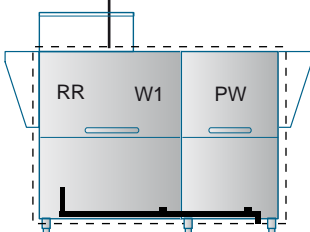
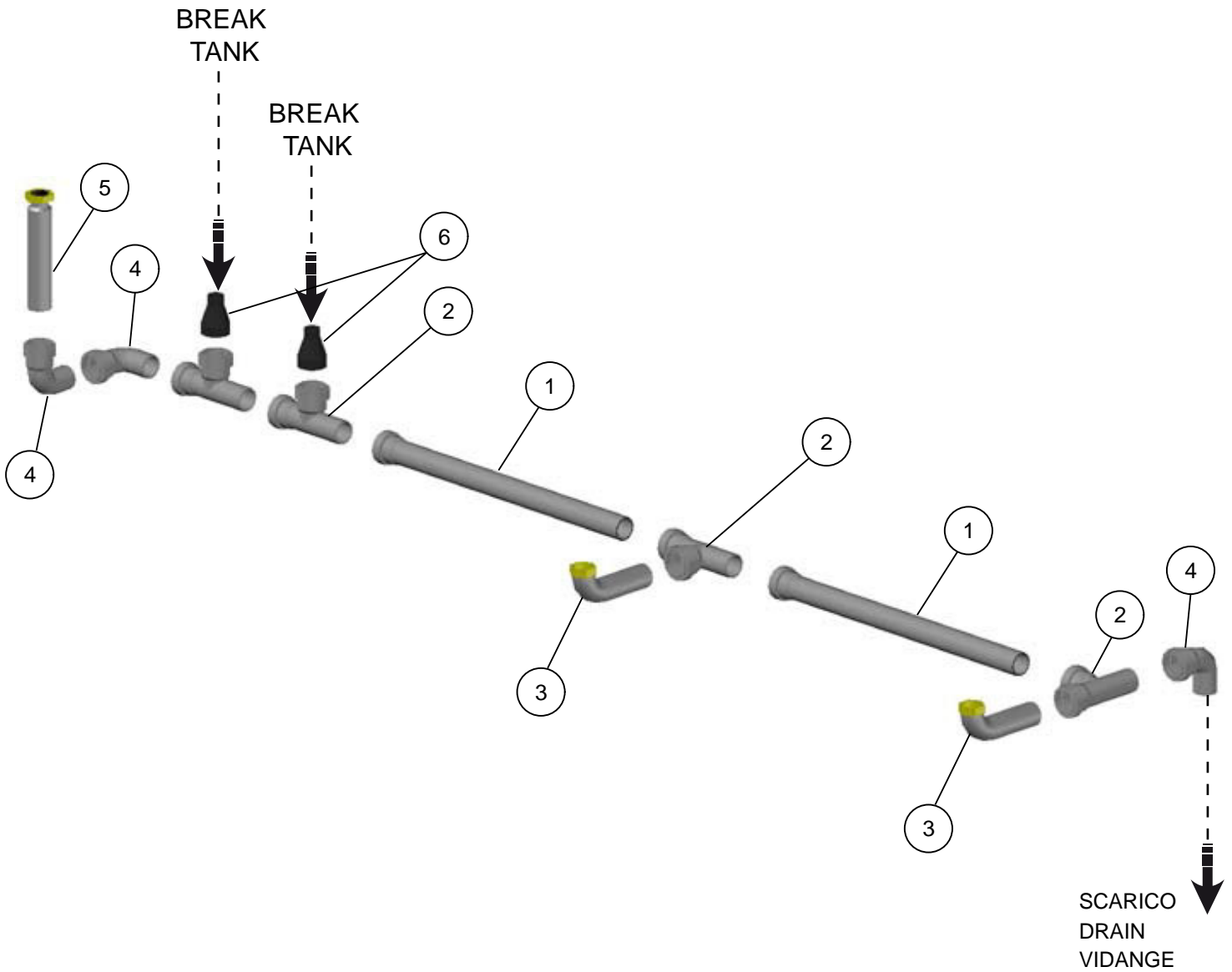


## DRAINAGE ASSEMBLIES



ITEM / ID	(IT)	(EN)	(FR)
SG	PARASPRUZZI	SPLASH ZONE	SAS
AS	PREL.AUTOMATICO	PRE-WASH SHOWER	PRELAVAGE AUT.+TIROR
PW	PRELAVAGGIO	PRE-WASH	PRELAVAGE
W2	2°LAVAGGIO	SECOND WASH	2°LAVAGE
W1	1°LAVAGGIO	FIRST WASH	1°LAVAGE
RR	RISCIACQUO POT.	POWER RINSE	RINÇAGE PLUS
CP	PANNELLO COM.	CONTROL PANELL	PANNEAU DE CONTRÔLE
D	ASCIUGATURA	DRYER	SECHAGE

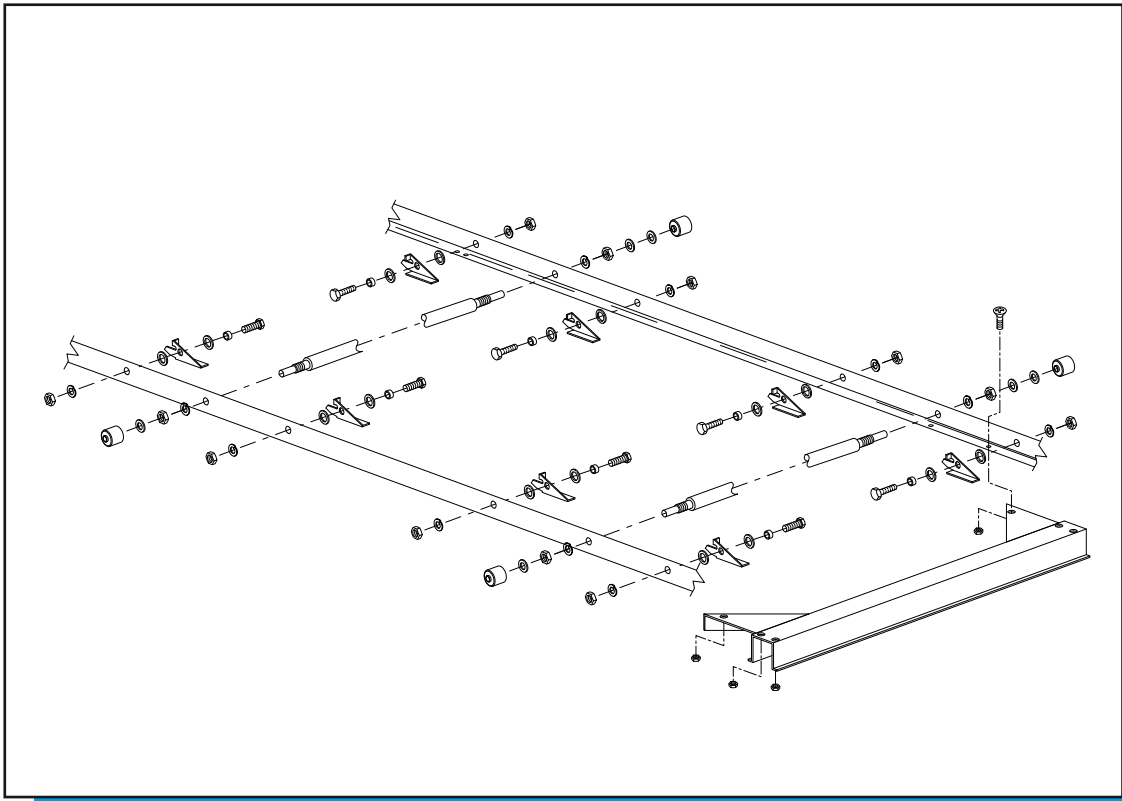
DWG-XXXX  
Rev.00 - 05/2017





ITEM / ID	CODICE / P-code	DESCRIPTION (EN)	Q.TA'/Q.TY
1	DW3060250	Ø 40 HOSE	2
2	DW3060176	T JUNCTION PP FF M Ø40	2
3	DW3060174	CURVED HOSE WITH BRASS NUT Ø40x1"1/4	2
4	DW3060175	90° ELBOW Ø40 PP	3
5	DW3060173	STRAIGHT HOSE WITH BRASS NUT Ø40x 1/14"	1
6	DW3060249	REDUCTION PIECE Ø40/32	1

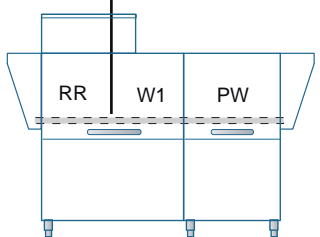
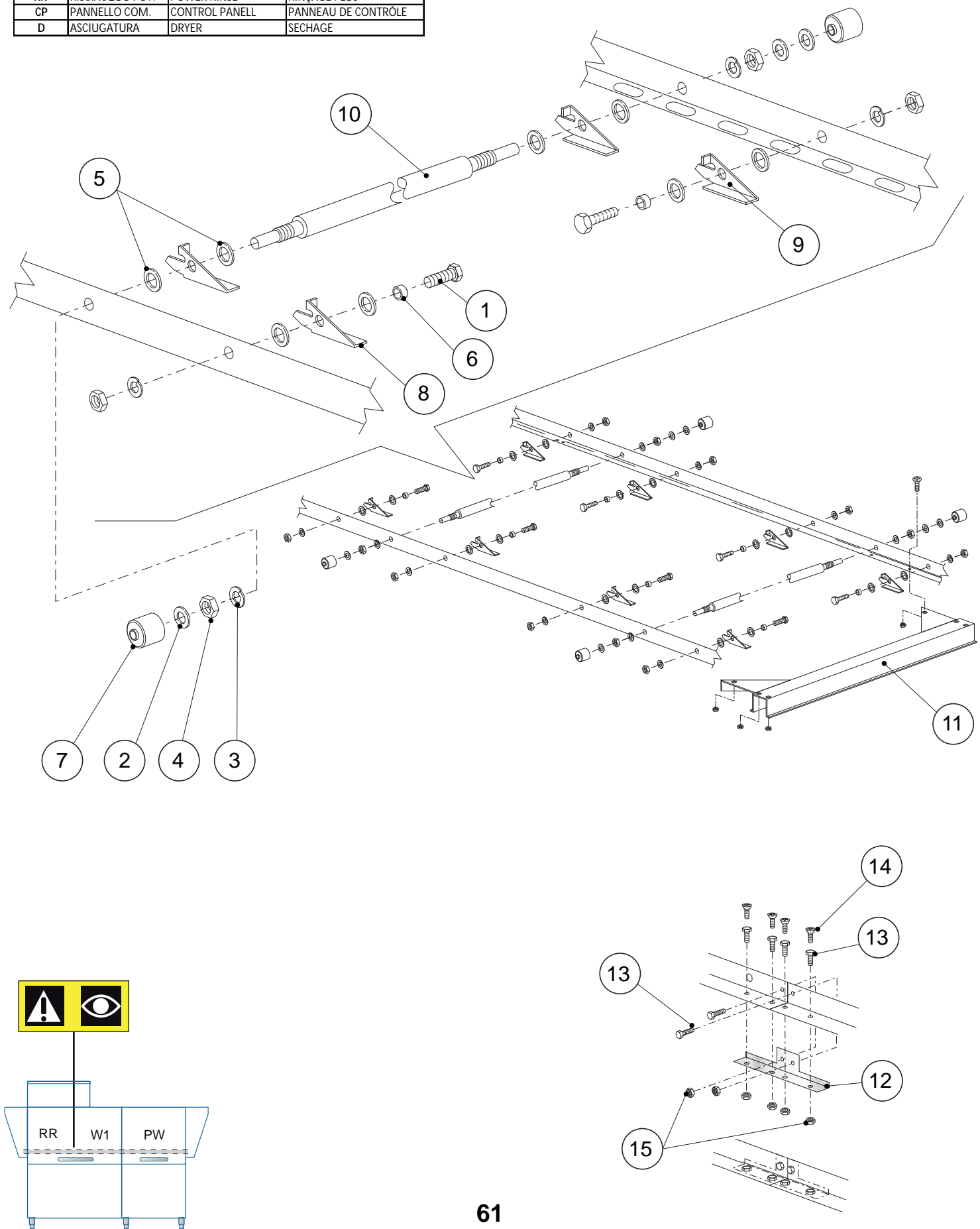




# CONVEYOR PARTS

ITEM / ID	(IT)	(EN)	(FR)
SG	PARASPRUZZI	SPLASH ZONE	SAS
AS	PREL.AUTOMATICO	PRE-WASH SHOWER	PRELAVAGE AUT.+TIROR
PW	PRELAVAGGIO	PRE-WASH	PRÉLAVAGE
W2	2°LAVAGGIO	SECOND WASH	2°LAVAGE
W1	1°LAVAGGIO	FIRST WASH	1°LAVAGE
RR	RISCIACQUO POT.	POWER RINSE	RINÇAGE PLUS
CP	PANNELLO COM.	CONTROL PANELL	PANNEAU DE CONTROLE
D	ASCIUGATURA	DRYER	SECHAGE

Rev.00 - 05/2017

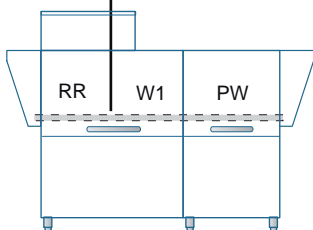
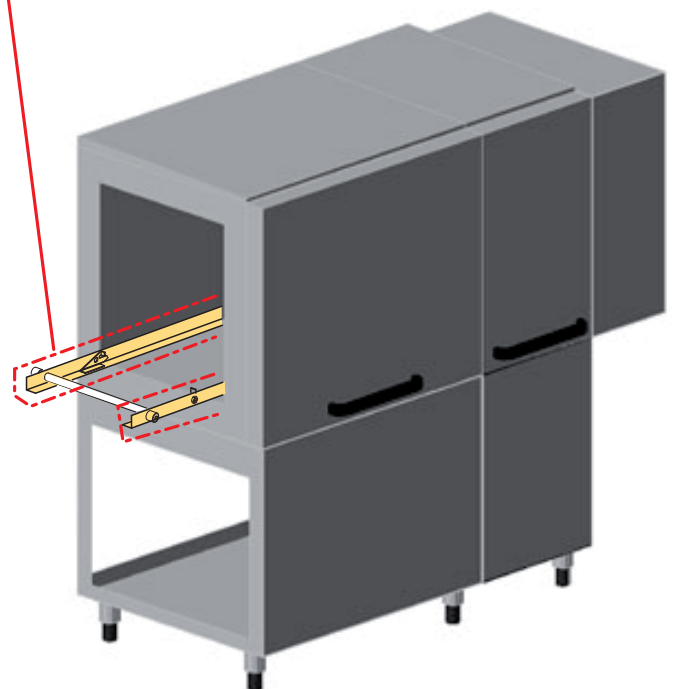
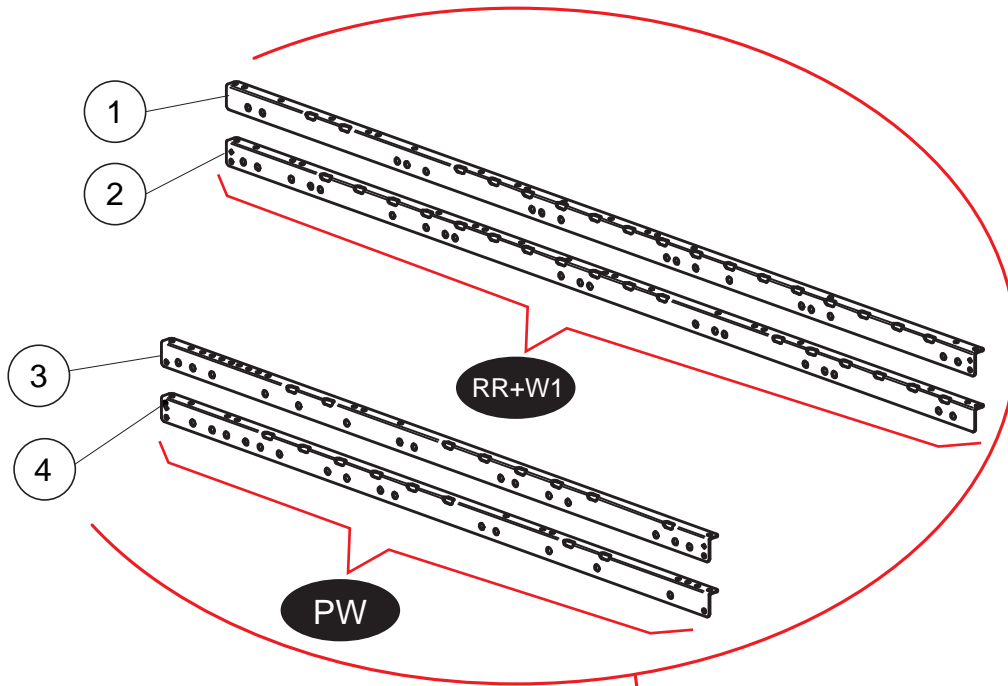




ITEM / ID	CODICE / P-code	DESCRIPTION (EN)	Q.TA'/Q.TY
1	DW11109	SCREW	X
2	DW11185	WASHER	X
3	DW11609	SPLIT WASHER	X
4	DW11719	NUT	X
5	DW3003024	WASHER	X
6	DW3003025	BUSH	X
7	DW3003026	BUSH	X
8	DW3003100	CLIP RIGHT	X
9	DW3003101	CLIP LEFT	X
10	DW3003010	AXIS	X
11	DW3009107	GUIDE	X
12	DW3009168	INOX PLATE COVERING	X
13	DW11118	INOX SCREW M6x12 TE 933	X
14	DW11117	INOX SCREW M6x12	X
15	DW11721	INOX NUT M6 AUT. UNI 7473 DIN 982	X

ITEM / ID	(IT)	(EN)	(FR)
SG	PARASPRUZZI	SPLASH ZONE	SAS
AS	PREL.AUTOMATICO	PRE-WASH SHOWER	PRELAVAGE AUT.+TIROR
PW	PRELAVAGGIO	PRE-WASH	PRELAVAGE
W2	2°LAVAGGIO	SECOND WASH	2°LAVAGE
W1	1°LAVAGGIO	FIRST WASH	1°LAVAGE
RR	RISCIACQUO POT.	POWER RINSE	RINÇAGE PLUS
CP	PANNELLO COM.	CONTROL PANELL	PANNEAU DE CONTRÔLE
D	ASCIUGATURA	DRYER	SECHAGE

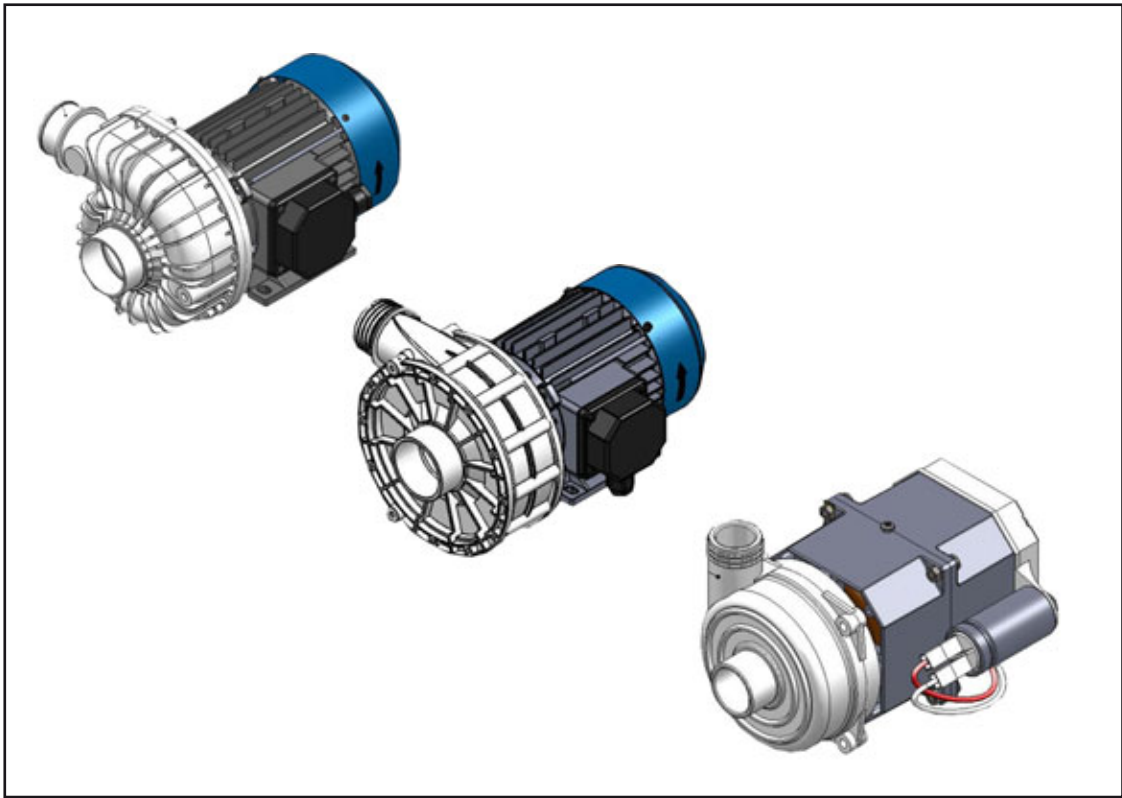
Rev.00 - 05/2017







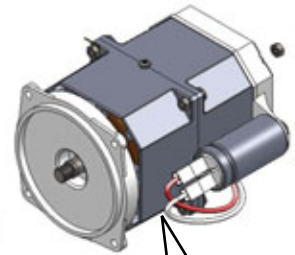
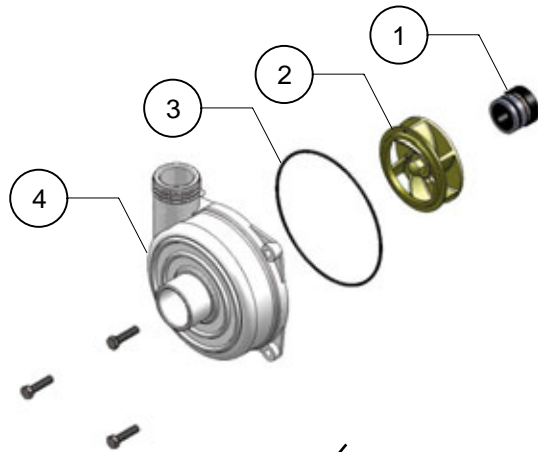




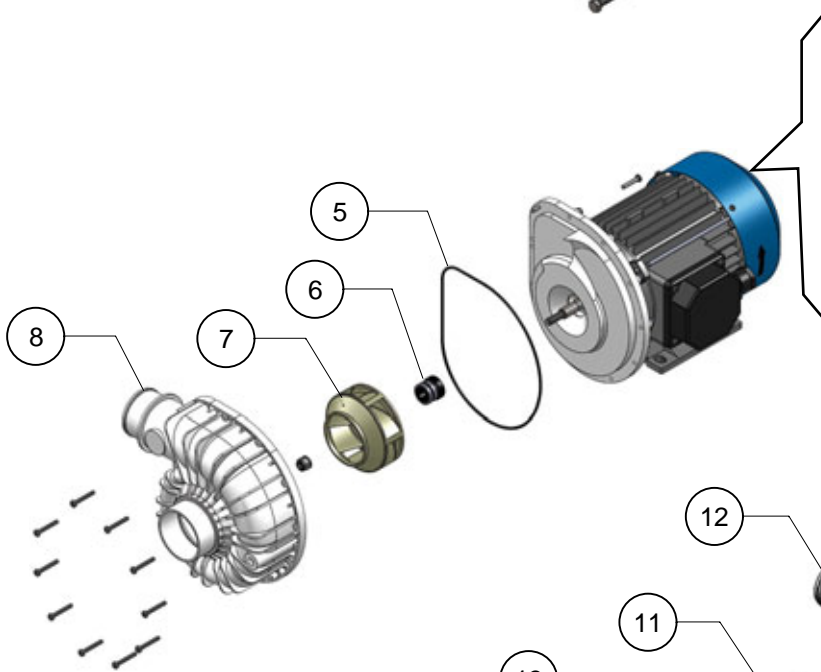
———— PUMP

ITEM / ID	(IT)	(EN)	(FR)
SG	PARASPRUZZI	SPLASH ZONE	SAS
AS	PREL.AUTOMATICO	PRE-WASH SHOWER	PRELAVAGE AUT.+TIROR
PW	PRELAVAGGIO	PRE-WASH	PRÉLAVAGE
W2	2°LAVAGGIO	SECOND WASH	2°LAVAGE
W1	1°LAVAGGIO	FIRST WASH	1°LAVAGE
RR	DOPIO RISCIAQ.	DOUBLE RINSE	DOUBLE RINÇAGE
CP	PANNELLO COM.	CONTROL PANELL	PANNEAU DE CONTRÔLE
D	ASCIUGATURA	DRYER	SECHAGE

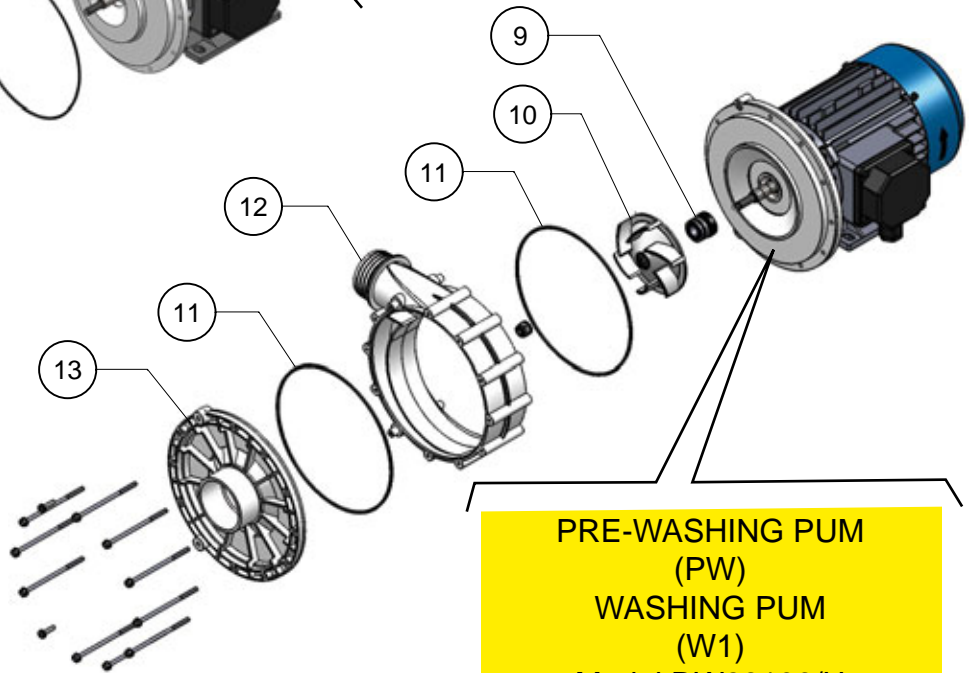
DWG-5xxxx  
Rev.00 - 05/2017



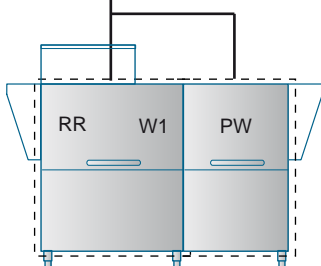
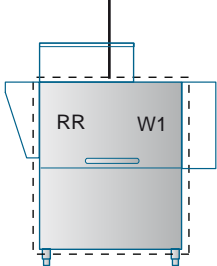
**PRE-RINSING PUM (RR)**  
Model:DW3071096/U  
Type: RC64/RC86



**WASHING PUM (W1)**  
**PRE-WASHING PUMP (PW)**  
Model:DW3000082/U  
Type: RC62/RC86



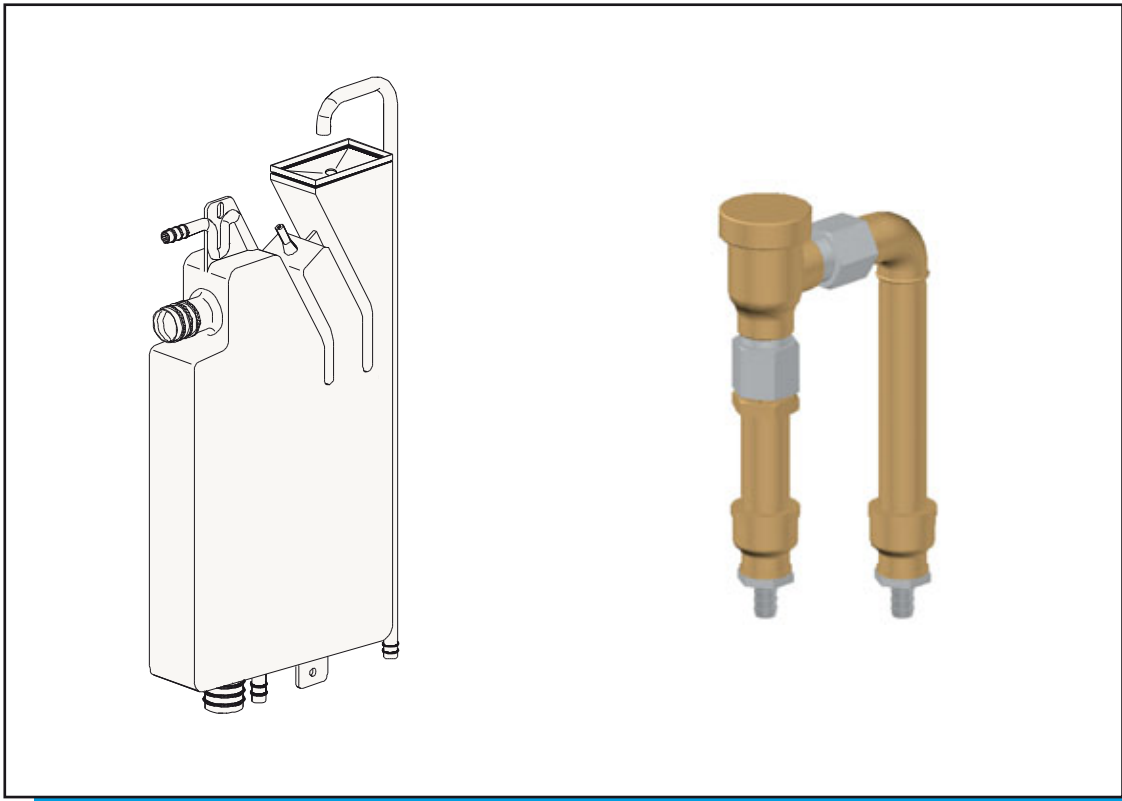
**PRE-WASHING PUM (PW)**  
**WASHING PUM (W1)**  
Model:DW88106/U  
Type: RC86/RC64/RC62/RC44





ITEM / ID	CODICE / P-code	DESCRIZIONE (EN)	Q.TA'/Q.TY
1	DW15100/S	ROTATING SEALS	1
2	DW3071096/B	PUMP ROTOR	1
3	DW18245	GASKET	1
4	DW3071096/A	SCROLL	1
5	DW88131	GASKET	1
6	DW15080/F	ROTATING SEALS	1
7	DW88232	PUMP ROTOR	1
8	DW88230	SCROLL	1
9	DW15080/F	ROTATING SEALS	1
10	DW3000082/C	PUMP ROTOR	1
11	DW88231	GASKET	2
12	DW3000082/B	SCROLL	1
13	DW3000082/A	COVER SCROLL	1

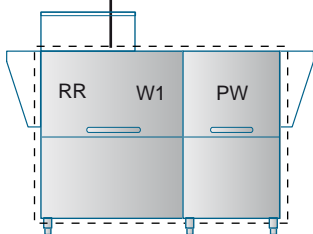
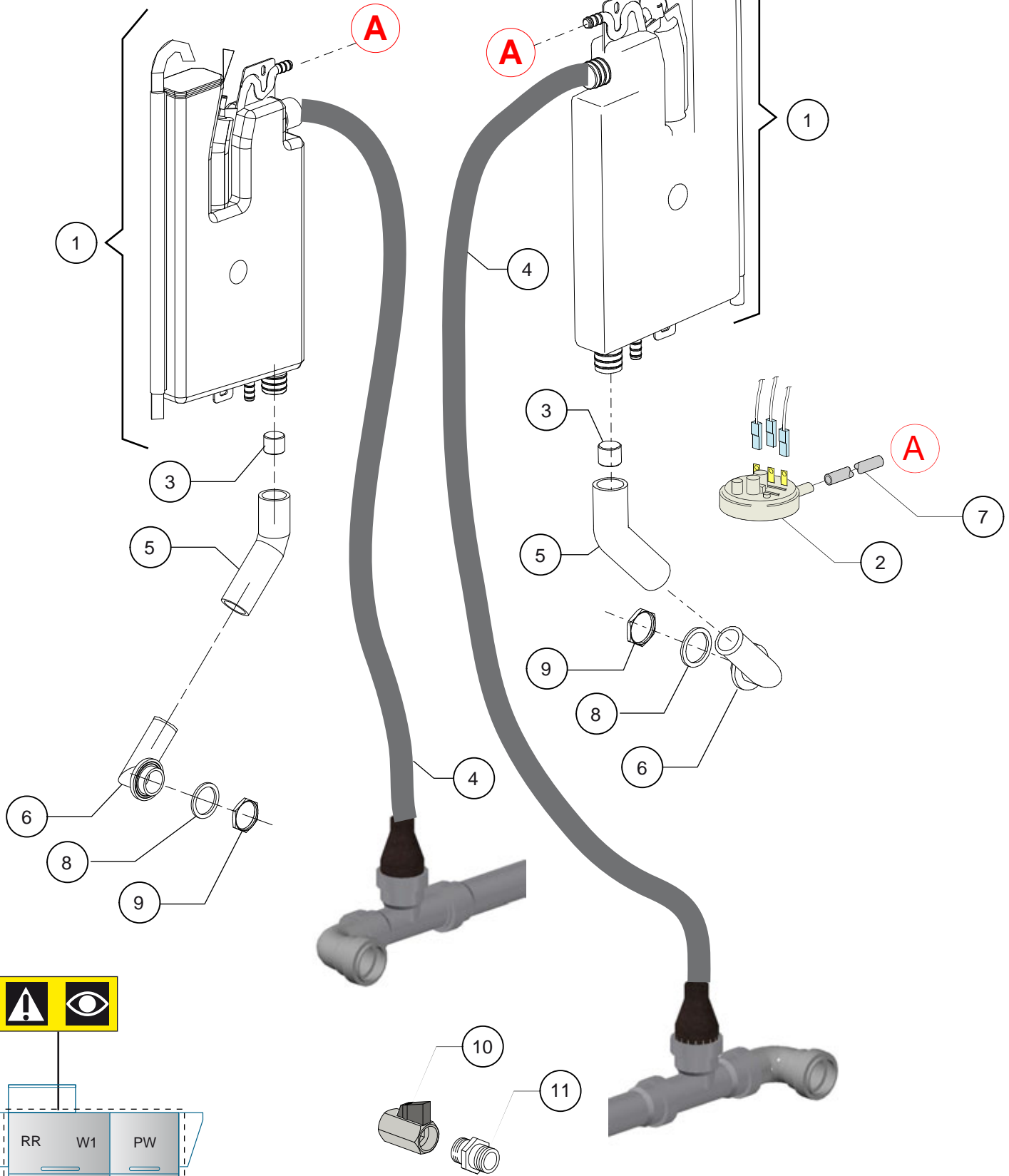




 — **BREAK TANK & VACUUM BREAKER**

ITEM / ID	(IT)	(EN)	(FR)
SG	PARASPRUZZI	SPLASH ZONE	SAS
AS	PREL.AUTOMATICO	PRE-WASH SHOWER	PRELAVAGE AUT.+TIROR
PW	PRELAVAGGIO	PRE-WASH	PRELAVAGE
W2	2°LAVAGGIO	SECOND WASH	2°LAVAGE
W1	1°LAVAGGIO	FIRST WASH	1°LAVAGE
RR	RISCIACQUO POT.	POWER RINSE	RINÇAGE PLUS
CP	PANNELLO COM.	CONTROL PANELL	PANNEAU DE CONTRÔLE
D	ASCIUGATURA	DRYER	SECHAGE

06\_XXXX  
Rev.00 - 05/2017





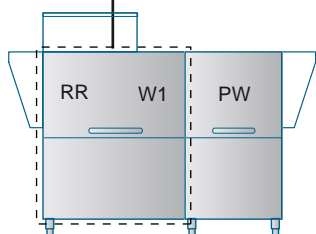
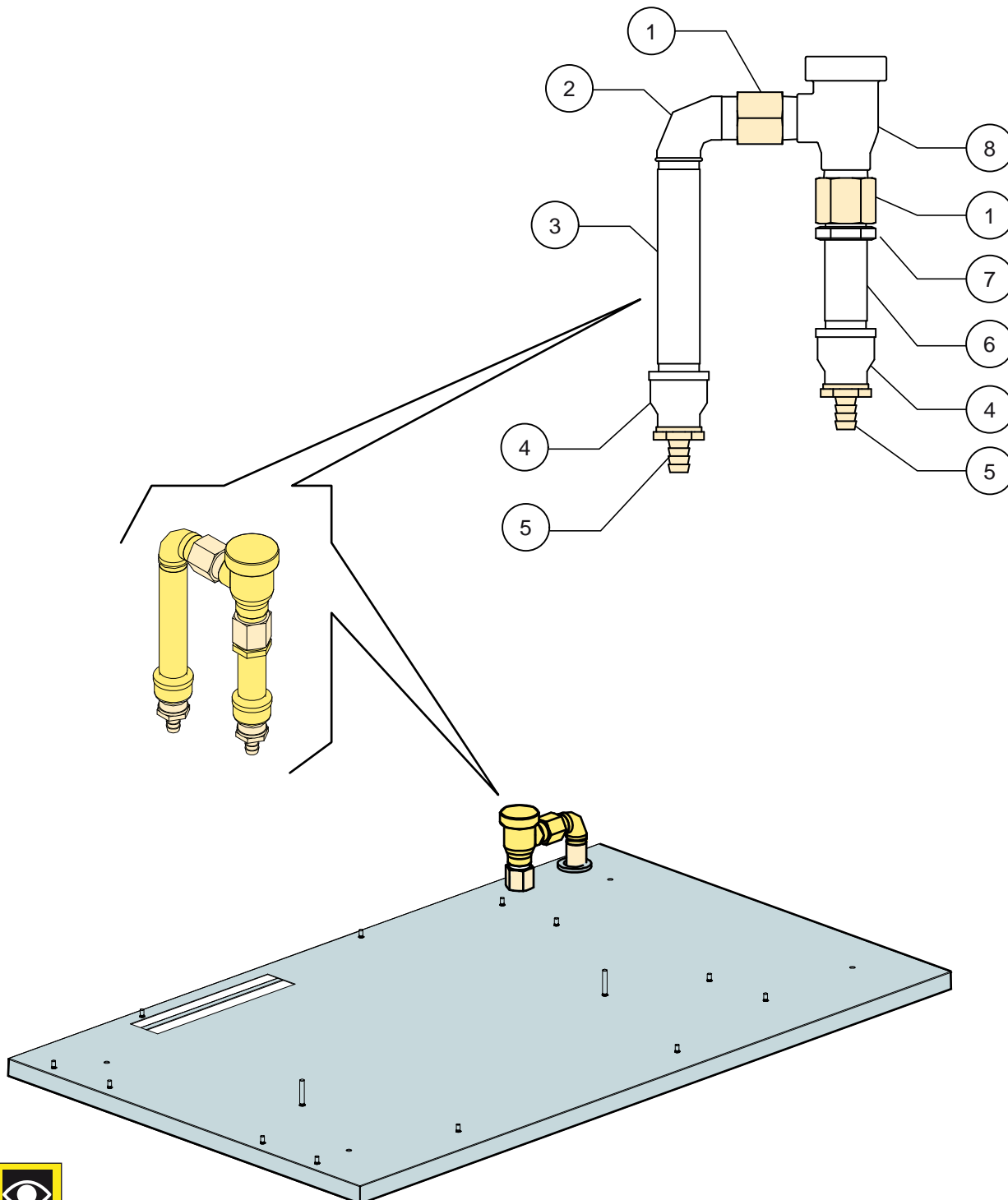
ITEM / ID	CODICE / P-code	DESCRIPTION (EN)	Q.TA'/Q.TY
1	DW15735	BREAK TANK ASSEMBLY ( 2,4 lt )	1
2	DW10706/A	PRESSURE SWITHC ("46-26")	2
3	DW12533	REINFORCE FOR PIPE IN EXIT	1
4	DW25031	BT PIPE ("UL")	1
5	DW18044	Ø 28 RUBBER HOLDER	1
6	DW10701	DRAIN PIPE	1
7	DW14508	EPDM Ø 4,5x9 RUBBER HOLDER	1
8	DW13305	GASKET Ø 44x33x3	1
9	DW11701/A	INOX NUT	1
10	DW3002140	Tap	1
11	DW3071196	Inox pipe fitting 1/2" M/M	1





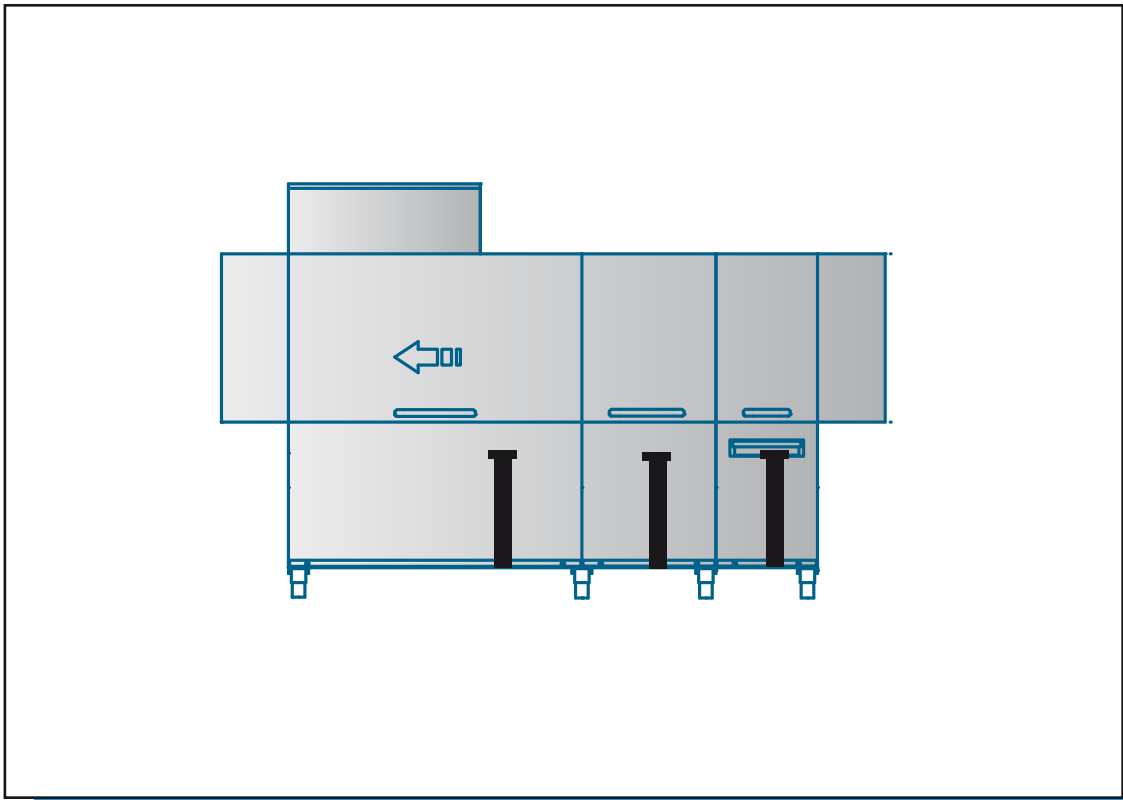
ITEM / ID	(IT)	(EN)	(FR)
SG	PARASPRUZZI	SPLASH ZONE	SAS
AS	PREL.AUTOMATICO	PRE-WASH SHOWER	PRELAVAGE AUT.+TIROR
PW	PRELAVAGGIO	PRE-WASH	PRELAVAGE
W2	2°LAVAGGIO	SECOND WASH	2°LAVAGE
W1	1°LAVAGGIO	FIRST WASH	1°LAVAGE
RR	RISCIACQUO POT.	POWER RINSE	RINÇAGE PLUS
CP	PANNELLO COM.	CONTROL PANELL	PANNEAU DE CONTRÔLE
D	ASCIUGATURA	DRYER	SECHAGE

06\_XXXX  
Rev.00 - 05/2017







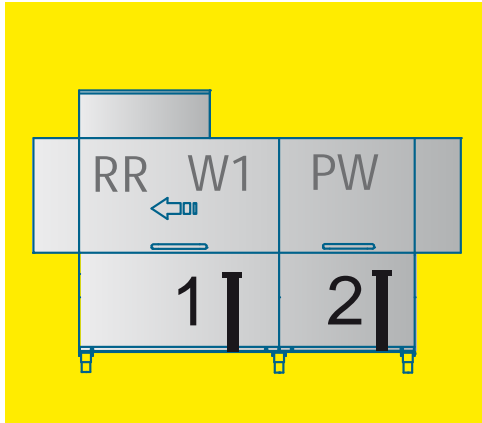


**OVER FLOW PIPE**

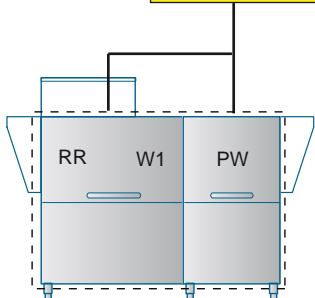
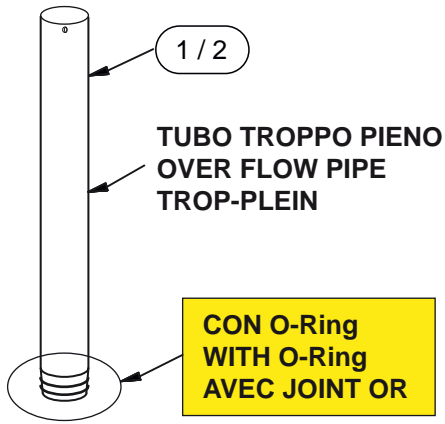


# OVER FLOW PIPE WITH MODEL & POSITION

Rev.00 - 05/2017



ITEM / ID	CODICE / P-code
1	DW3071183
2	DW3071182



ITEM / ID	(IT)	(EN)	(FR)
SG	PARASPRUZZI	SPLASH ZONE	SAS
AS	PREL.AUTOMATICO	PRE-WASH SHOWER	PRELAVAGE AUT.+TIROR
PW	PRELAVAGGIO	PRE-WASH	PRELAVAGE
W2	2°LAVAGGIO	SECOND WASH	2°LAVAGE
W1	1°LAVAGGIO	FIRST WASH	1°LAVAGE
RR	RISCIACQUO POT.	POWER RINSE	RINÇAGE PLUS
CP	PANNELLO COM.	CONTROL PANELL	PANNEAU DE CONTRÔLE
D	ASCIUGATURA	DRYER	SECHAGE



