



Project Name: _____

Location: _____

Item #: _____ Qty: _____

Model: _____

SILVER SAVER BURNISHER (1 HP)

MODEL: BB-2016



BB-2016

The Blakeslee Silver Saver is the only burnishing unit that will restore luster and brightness to stainless-silver tableware. Special porcelain-ceramic burnishing media and chemical compound makes it possible to restore luster and brightness to stainless steel flatware, hollow ware, aluminum ware, pewter and silverware. So it looks just like new!

FEATURES AND CONSTRUCTION

- 1 HP silver burnisher with open-top design for easy loading and unloading
- Porcelain-ceramic media, non-rusting, 1/3 the weight of steel balls eliminates peening of hollow ware
- Burnishing operation cycle is less than 10 minutes
- Quiet operation, less than 85 decibels
- Exterior is constructed of ABS plastic
- 4" swivel casters (1 locking) for mobility or for storage when not in use
- Interior polishing tub is 11-gauge steel with polyurethane lining and chemical compound tank is molded plastic
- Supplied with ceramic burnishing media and polishing compound
- Burnishing compound is safe for brass, silver and stainless steel
- De-tarnishing soaking is not necessary

ELECTRIC

115V / 60Hz / 1Ph 15 Amps
Grounded cord and plug

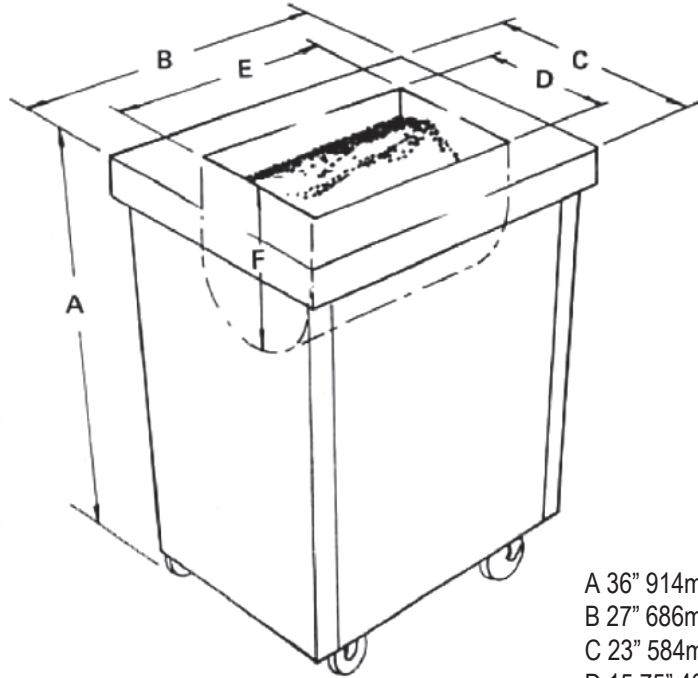
3RD PARTY APPROVALS



BLAKESLEE WARRANTY (USA / CANADA)

Blakeslee burnishers are warrantied for one year from date of installation against defective materials and workmanship; three years tub lining coarse.

Contact Blakeslee USA for details at service@blakesleeinc.com or 630.532.5021



- A 36" 914mm
- B 27" 686mm
- C 23" 584mm
- D 15.75" 400mm
- E 20" 508mm
- F 16" 406mm

APPROXIMATE SHIPPING SPECIFICATIONS

MODEL	UNIT DIMENSIONS	SHIPPING DIMENSIONS	ELECTRICAL	AMPS	UNIT WEIGHT	SHIPPING WEIGHT
BB-2016	23" x 27" x 36" (584 x 686 x 914 mm)	33.5" x 28" x 46" (851 x 711 x 1168 mm)	115V/60Hz/1Ph	15A	265 lbs (120 kg)	455 lbs (206 kg)